

**MAYLINE®**

# Price List

Effective April 1, 2013

(Supercedes Mayline Price List dated August 2012)



**ALL  
PRODUCT SHIPS  
FREE  
FREIGHT!**

**MAYLINE®**

**PRICE LIST**

Eff. 4/1/13

# MAYLINE Terms & Conditions Price List

## Effective April 1, 2013

### How To Order

Send orders to the attention of Order Desk at [orderdesk@mayline.com](mailto:orderdesk@mayline.com), and include for every item ordered:

- Quantity
- Model Number and Description
- Laminate Color
- Paint Color
- Fabric Color (if necessary)

All orders will be confirmed via acknowledgement. It is the dealer's responsibility to review the confirmation to insure order accuracy. Laminate and Paint colors can be viewed at [www.mayline.com](http://www.mayline.com).

### Mayline

619 North Commerce Street • P.O. Box 728 • Sheboygan, WI 53081-0728  
Ph. 800-822-8037 • (In Wisconsin, call 920-457-5537) • Fax: 920-457-7388  
Web Site: [www.mayline.com](http://www.mayline.com)

**Remittance Address:** Mayline • PO Box 3090 • Milwaukee, WI 53201

### Terms

With approved credit, 1% 15 days from date of invoice or net 30 days. Cash discount applies against billing date and cannot be taken against freight charges. Past due accounts are subject to interest at the maximum rate permitted by law. Cash discount does not apply to credit card orders.

### Pricing Policy

Prices and specifications are subject to change without notice. Pricing shall be based upon the price list in effect at the time the order is entered. Mayline reserves the right at any time to alter design, and to substitute materials and parts to a particular standard unit at time of shipment as may be necessary.

### Additional Packaging (Outside Contiguous U.S.)

Shipments destined for Alaska, Hawaii, the northern provinces of Canada, and other locations outside the contiguous 48 states, may require special packaging and/or crating to insure proper handling by the freight carrier and prevent damage to the destination. Dealers will be notified of these additional costs upon request, or at the time the order is entered.

### Bulk Packaging

All large orders will be bulk packed unless your purchase order specifically requests otherwise.

### Changes, Cancellations, and Custom Orders

All changes or cancellations to orders are subject to Mayline's approval. For standard product orders already in production, approved changes are subject to modification surcharges and approved cancellations are subject to invoicing for up to the full amount of products already in production and cancellation surcharges for remaining items.

In the event the customer requests a delay in shipment from the original scheduled ship date, storage charges for completed product may apply.

Because of the unique nature of the e5, Mobile Aisle, and Mailflow Systems product lines, orders for these product lines are NON-CANCELABLE AND NON-RETURNABLE.

All custom orders for non-standard products are subject to minimum order quantities, upcharges, and extended lead-times. Please contact Mayline for details. Custom orders are NON-CANCELABLE AND NON-RETURNABLE.

### Custom Finishes

Requests for custom finishes are subject to approval by Mayline. Upcharges, minimum order quantities, and extended lead-times may apply.

Custom Laminates: For non-standard, high-pressure laminates, a minimum order quantity (per laminate) of 5 units and a \$50 net/unit upcharge applies.

Custom Paints: For non-standard paint finishes, the order must have a minimum size of \$5,000 list. The upcharge is 10% of net, with a minimum order charge of \$400 net and maximum charge of \$2,000 net.

### Shortages and Damage

Mayline will be responsible for filing claims, in their name, for damaged or lost freight and sending out replacement orders at **NO CHARGE** under the following conditions:

1. Product is shipped via a Mayline specified common carrier.
2. Noticeable damage to the carton or product, and/or missing product must be noted on the delivery receipt. Brief descriptions of the damage are also necessary, i.e. "two File Harbor cabinets damaged near top front, and one C-File carton punctured."
3. All product and packaging must be saved for 30 days to allow carrier to inspect or pick up.
4. The dealer must call Mayline at 1-800-822-8037 to report the damage or shortage situation to Customer Service.

For cases of concealed damage, Mayline will take responsibility for placing the freight claim under the following conditions:

1. Product is shipped via a Mayline specified common carrier.
2. Damage is reported to the carrier and Mayline within 7 calendar days of receipt.
3. Replacement orders will be sent out at a charge.
4. Mayline will credit the dealer 2/3 of the invoice amount for the product (responsibility: 1/3 to carrier, 1/3 to Mayline, and 1/3 to dealer).

If the dealer specifies their own carrier, they assume full responsibility for any freight claims. This includes collect and 3rd party billing shipments. Under these circumstances, replacement orders will be sent out at a charge.

### Returns

All merchandise requested to be returned to the originating manufacturer must first be approved and issued a **Return Goods Authorization (RGA)** number. Please contact the customer service department for an authorized return goods number. All returned product must be packed in original cartoning, unused, and in sellable condition. Only product shipped from the originating manufacturer within the past 30 days may be returned. All product must be returned within 30 days of return authorization date or RGA will be cancelled. **e5, Mobile Aisle, Upholstered Seating, and Mailflow Systems products are considered custom and cannot be returned.**

A 30% refurbishing charge will be applied on all authorized returns for resalable merchandise. The customer is required to pay for the return freight costs. Product must be returned in good condition or the restocking fee may be increased accordingly. If product is poorly packaged and damaged, the freight claim must be pursued by the dealer. Mayline will not issue credit.

All items purchased from wholesale distribution, must be returned through the wholesaler.

Products returned to Mayline without **Return Goods Authorization (RGA)** are assessed original freight charges and all return costs. RGA terms and guidelines are applied. \*In some instances a debit balance may be due from the dealer/wholesaler if costs exceed product amount.

### Taxes

Resale and/or exemption certificates are required for the state in which the purchaser is located. In the event the Seller is not registered to collect sales tax in the state of the Purchaser, the Purchaser is required to remit any applicable sales tax to its state and local taxing authority.

### Customer's Own Material

For C.O.M. orders, please contact our Customer Service Department for details and restrictions for laminates and fabrics not provided by us.



# Terms & Conditions *continued*

## Special Notice

Conditions or trends occasionally necessitate minor changes in materials, color, or design. Specifications and pricing are subject to change without notice.

## Shipping and Freight Allowance – NEW PROGRAM

All products ship via select common carrier f.o.b. shipping point (origin), with freight charges prepaid by Mayline. This is for dock-to-dock and FedEx Ground shipments only. These terms apply to shipments within the 48 contiguous states. Any accessorial charges for lift gate, inside delivery, call-in-advance, etc., are the responsibility of the dealer. If dealers are requesting shipments with a third party carrier or will-call, an extra 10% discount will be applied to the order and 3rd party account number will be required.

U.S.-billed dealers shipping into Canada will pay all freight charges dock-to-dock and must also provide their own broker and pay any fees or associated taxes. As a result of the dealer paying the freight, third party bill only, they will be allowed an additional 10% discount off of their standard discount. If Mayline provides the carrier and broker, the dealer will be charged for exact freight charges, plus a \$75 broker fee, and associated taxes.

## Accessorial Charges

Requests for inside delivery and lift gate/tailgate services should be included on original purchase orders and are subject to approval by Mayline. A \$75 charge for inside delivery and \$100 for lift gate/tailgate will be added to the invoice. Additional charges may apply based on order volume. Contact Customer Service for a quote.

In the event that inside delivery and/or lift gate/tailgate services are unforeseen, but required to complete the delivery, both the dealer and Mayline must agree to these services and subsequent invoicing by Mayline of the charges described above.

Inside delivery is defined as when carrier moves all or part of a shipment to a position beyond the point directly accessible or immediately adjacent to the delivery vehicle.

If a consignee is responsible for causing a re-delivery, a \$50 charge will be invoiced.

Other special services will be billed at actual charges, including but not limited to:

- Storage
- Extra Labor
- Driver Assist
- Guaranteed Timekeeper Delivery
- Call Before Delivery
- Residential Zoned Delivery
- High Cost/Remote Region Delivery (i.e. New York City)

All orders from **Gold dealers** will be covered under this policy regardless of order size. Purchase orders must reflect October 1, 2011, list pricing with standard discount.

Orders from **Silver and Bronze dealers** will ship free on purchase orders of \$2,500 or more

(also using October 1, 2011, list prices) with standard discount. Orders less than \$2,500 current list will incur a \$75 fee for LTL shipments or \$15 for small parcel shipments.

## Will Call Program

Will Call services will be provided at our distribution center (Little Rock, AR). Customers picking up their products utilizing this program will receive an additional 10% discount. Program details:

- In-stock products will be available to pick up 24 hours after receipt of acknowledgement.
- Hours of pick up are 6:30 am to 4:30 pm, Monday-Thursday. 6:30 am to 2:30 pm Friday.
- Customer must specify the pick up time and date on all Will Call orders.
- If the customer does not specify a date and time, the order will go into "pending" status and not be available for shipment until a written date and time are provided.
- Orders not picked up within 48 hours of the specified time and date will be subject to a restock charge and/or cancellation of the order.

# LIMITED LIFETIME WARRANTY – Effective October 1, 2011

Mayline promises to repair or replace any Mayline brand product or component manufactured after 1/1/2000, that is defective in material or workmanship for as long as the original purchaser owns it. This is the sole and exclusive remedy. This warranty is subject to limitations, exclusions and other provisions detailed below.

## Limitations involving materials and components:

The materials and components listed below are covered according to the following schedule from the date of sale:

**Ten Years:** Electrical components, seating controls, seating pneumatic cylinders, wood seating components.

**Five Years:** Fabric and leather seating upholstery, seating foam, seating armrests, chrome seating components, veneer finishes, and any Kwik-File shelving, cabinets, or mobile systems and components that are either moving parts, or controls and guides that are in contact with moving parts.

**Three Years:** 4-Post wire shelving and wire components.

## Exclusions:

**This warranty does not apply to:**

- Normal wear and tear, which is to be expected over the course of ownership.
- Damage caused by the carrier in-transit, which will be handled under Mayline's Freight Damage policy.
- Modifications or attachments to the product that are not approved by Mayline.
- Products that were not installed, used or maintained in accordance with product instructions and warnings.
- Products used for rental purposes.
- COM fabric is not covered under this warranty.

## Seating Usage:

Normal commercial usage for seating is to be defined as the equivalent of a single shift within a 40-hour workweek. To the extent that a seating product is used in a manner exceeding this, the applicable warranty period will be reduced in a pro-rata manner (*excluding Model 2424AG which is warranted for multiple shifts*).

## The Event Series:

Mayline will warrant the materials and components of The Event Series products for a period of five years. The warranty does not apply to normal wear and tear, damage caused by the carrier in-transit, modifications or attachments to the product, or where the product is not installed. This product must be used or maintained in accordance to the instructions. See specific table labels for maximum weight load capacities. These limits are based on the weight being evenly distributed, allowing for 1/4" deflection. This warranty does not cover any products used for rental purposes.

**Note:** *Some natural variations occurring in wood or leather materials are inherent in their character, and cannot be avoided. Mayline does not warrant the color-fastness or matching of colors, grains, or textures of such materials.*

TO THE EXTENT ALLOWED BY LAW, MAYLINE MAKES NO OTHER WARRANTY, EITHER EXPRESSED OR IMPLIED. MAYLINE WILL NOT BE LIABLE FOR ANY CONSEQUENTIAL OR INCIDENTAL DAMAGES.



## What's New In This Price List

### Terms & Conditions

1. Some revisions throughout the Terms & Conditions. Specifically for Returns: Products returned to Mayline without Return Goods Authorization (RGA) are assessed original freight charges and all return costs. RGA terms and guidelines are applied. \*In some instances a debit balance may be due from the dealer/wholesaler if costs exceed product amount.

### Color Program

1. We've now added 5 new HPL's to allow us to match the e5™ TFL's throughout other product lines. The new HPL's include: Designer White, Summer Suede, Cocoa, Columbian Walnut, and Raven. Biltmore Cherry is already available as an HPL. These new HPL's are offered with matching solid edge colors. For a listing of applicable product lines available in HPL, refer to our Corporate Color Program brochure.
2. The following HPL's are no longer available on our standard color program, but will still be available as part of our Custom Finishes program: Shadow, Black, Bronze Legacy, Burnished Chestnut, and Oak.

### Desking

1. VariTask® Classic and VariTask® Stealth lines have been discontinued.
2. A new Combination Mouse/Keyboard platform replaces the independent keyboard and mouse mechanisms. New part numbers are 19503A, 19503TA, and 19503ATW. List price is the same as the previous two pieces combined.

### Casegoods

1. Stella Series has been discontinued.
2. In Luminary Series™, the P-Shaped Desk and the Mounted Hutch with Doors have been discontinued.

### Conference & Training Tables

1. For select training tables within Meeting Plus™, Sync™, Flip-N-Go™, and T-Mate™, manufactured cutouts for electrical kits are now available as standard.
2. Talon® Tables have been discontinued.
3. The 1010AV Audio/Visual Cart and the 1070PS Flat Screen Console have been discontinued.

### Seating

1. We have added the armless version of the Valoré chair to our custom upholstery program. Choose from 2 frame finishes, 100s of fabrics, and even COM.
2. The following chairs have been discontinued: Ultimo UL530MEZ, Ultimo UL650H, Ultimo UL630M, Ultimo 610G, Mercado Leather OPH, Mercado Leather SS, Mercado Wood PRW.
3. Guest Seating Connection Tables have been discontinued.

### Storage & Filing

1. Mobile Aisle™ 820 has been discontinued. All orders will be for our current Mobile 1000™.
2. 5/16" 4-Post Shelving has been discontinued. All orders will use our exact 4-Post Shelving.





**Specialty Solutions – IT Furniture**

1. Standard Data Cabinets have been discontinued.
2. Dual Adjustable Racks have been discontinued.

**Specialty Solutions – Event Series**

1. Select model numbers have been discontinued: 2000FC Folding Chair, all Steel Folding Chairs, the Banquet Chair, and the 2700C Folding Chair Cart.

**Specialty Solutions – Drafting Furniture**

1. Dual Adjustment Drafting Tables have been discontinued.

# Corporate Color Program (effective 4/1/13)

For many of Mayline's product lines, an extensive standard corporate color program is available. Mayline has partnered with Nevamar, Pionite, Formica and Wilsonart to offer over 900 standard laminates. Mayline has also partnered with Interface (Guilford of Maine) to offer over 250 standard fabrics for privacy screens and fabric partitions. These partnerships, along with Mayline's standard paint finishes, combine into one of the broadest offerings in the industry.



Look for the symbol throughout the Price List for product lines offered with this Corporate Color Program. Select product lines with limited finish options are noted individually. For examples of all standard finishes, please refer to Mayline's Corporate Color Chart or visit [www.mayline.com](http://www.mayline.com).

## Paints

Available on the following product lines: VariTask®, Maytrix®, TransAction™, CSII™, Communication Station®, Meeting Plus™, Mobile Aisle™, Four Post Shelving, File Harbor Cabinets, Forms and Storage Cabinets, ARC™ Rotary Files, Steel Plan Files, Steel Drawing Tables, and Mailflow Systems®.

Black	Hunter	Desert Sage	Pebble Gray	Cranberry	Graphite
Medium Tone	Sand Beige	Warm White	Gray	Navy	Blue Medium
Mist	White	Sand	Tech Silver		

**Note:** Mailflow-to-Go is available in Pebble Gray only. e5 is available in Tech Silver, Black, and White only.

## High Pressure Laminates (T-mold Colors)

All high-pressure laminates are available on the following product lines: VariTask, TechWorks, Maytrix, CSII, Communication Station, TransAction, Flip-N-Go, Sync, Meeting Plus, T-Mate, Talon, Bistro, Geneva, and Mailflow Systems.

- Colors shown in parentheses are default T-mold colors. Other T-mold/Laminate color combinations can be mixed and matched at no additional charge but available only on written request.
- Access to ALL standard Wilsonart, Nevamar, Formica, and Pionite laminates is available.

**Note:** Premium laminates are excluded, contact a Mayline customer service representative for a quote.

Designer White (Designer White)	Raven (Raven)	Fashion Gray (Ice Gray)	Classic Rock (Taupe)
Summer Suede (Light Brown)	Nebula Graphite (Black)	Windswept Pewter (Warm Gray)	Asian Sand (Taupe)
Cocoa (Medium Brown)	Pearwood (Black)	Maple (Black)	Crown Cherry (Black)
Biltmore Cherry (Black)	Mahogany (Black)	Nebula Gray (Ice Gray)	Witchcraft (Black)
Columbian Walnut (Dark Brown)	Storm Gray Matrix (Black)	Asian Night (Tech Silver)	*Gray ESD (Black)

\*TechWorks & Maytrix only.

## Thermally-Fused Low Pressure Laminates (T-mold Colors) (subject to availability, see below)

All thermally-fused low-pressure laminates (TFLs) are available on the following product lines: Meeting Plus, Talon, Flip-N-Go, Sync, T-Mate, VariTask, TechWorks, Maytrix, Bistro, and Mailflow Systems.

**Note:** eLan is available in Ice Gray only.

**Note:** Mailflow-to-Go is available in Birch with Ice Gray T-mold only.

Low-pressure laminates are shown with standard, default T-mold edging colors. T-mold and low-pressure laminate colors can be mixed and matched at no additional charge but available only on written request.

Speckled Gray Matrix (Ice Gray)	Fog Gray (Warm Gray)	Ice Gray (Ice Gray)
Birch (Taupe)	Cherry (Black)	Mocha (Black)

## e5 Thermally-Fused Laminates (TFLs)

All e5 surfaces have matching PVC edge.

Cocoa	Summer Suede	Columbian Walnut
Biltmore Cherry	Raven	Designer White

## Textile Programs

CSII privacy panels and fabric tack panels are offered in Guilford of Maine fabrics (see page 50). Commute™ and Valoré™ seat cushions and e5 cushions and tackboards are offered in Momentum fabrics. See Fabric Card (FABCARD).

## Encounter/Eastwinds Surfaces

Encounter tables available in Folkstone and Cherry. Eastwinds available in Anthracite and Medium Cherry. Models #945 and 950 also available in Chestnut.

# TABLE OF CONTENTS


			<b>Page</b>
<b>DESKING</b>			
e5™	GSA		8
CSII™	GSA	GIZA/CAP	37
Lateral Files & Bookcases		GIZA/CAP	48
Communication Station®	GSA	GIZA/CAP	58
TransAction™	GSA	GIZA/CAP	59
VariTask®:			
VariTask® LT		GIZA/CAP	77
VariTask® E-Series	GSA	GIZA/CAP	78
VariTask® XR	GSA	GIZA/CAP	79
Ergonomic Accessories	GSA		80
<b>CASEGOODS</b>			
Brighton Series		GIZA/CAP	82
Aberdeen® Series		GIZA/CAP	95
Toscana Series		GIZA/CAP	113
Corsica® Series		GIZA/CAP	114
Napoli® Series		GIZA/CAP	126
Sorrento Series		GIZA/CAP	139
Luminary Series		GIZA/CAP	150
Mira Series		GIZA/CAP	163
Lounge Furniture		GIZA/CAP	178
Occasional Tables		GIZA/CAP	179
REAL Office™ Options			181
<b>CONFERENCE &amp; TRAINING TABLES</b>			
Meeting Plus™ Tables	GSA	GIZA/CAP	184
Sync™ Tables	GSA	GIZA/CAP	186
Flip-N-Go® Tables	GSA	GIZA/CAP	188
Encounter™ Tables	GSA	GIZA/CAP	190
T-Mate™ Tables	GSA	GIZA/CAP	191
Training Table Power Options			193
TransAction™ Conference & Media Tables	GSA	GIZA/CAP	194
TransAction™ Power/Telecom Options	GSA	GIZA/CAP	197
Ranger® Team Tables			199
CSII™ Conference Tables	GSA	GIZA/CAP	200
Geneva™ Conference Tables	GSA	GIZA/CAP	201
Accessories		GIZA/CAP	202















# TABLE OF CONTENTS *continued*

Page






## SEATING

Ultimo™ Leather Series .....		206
Mercado™ Leather Series .....		208
Mercado™ Wood Series .....		210
Bistro Series™ .....		211
Comfort Series .....		212
Comfort Series Big & Tall .....		214
Technical Series .....		215
Valoré® Series .....	 *	216
Commute™ Series .....		218
Lounge Seating .....		219

## STORAGE & FILING






Mobile Aisle™ .....		222
Mobile Lite .....		225
Four Post Shelving .....		227
The Security Shade .....		243
X-Ray Shelving .....		243
File Harbor Cabinets .....	 	246
Forms & Storage Cabinets .....	 	252
ARC™ Rotary Files .....	 	256
Flip-N-File™ .....		262
Decorative Enhancements .....		263
Insertables .....		265
Filing Carts .....		266
Mobilizers™ .....		267
Pedestals .....		267
Lateral Files & Bookcases .....		268
Plan Files .....		270

## SPECIALTY SOLUTIONS

Mailroom Furniture:		
Mailflow Systems® .....	 	272
Mailflow-To-Go .....		291
IT Furniture:		
TechWorks® .....		293
Maytrix® .....		299
e*LAN™ .....		305
NetStart™ .....		306

\* NOTE: Select models of Valoré Series only.

# TABLE OF CONTENTS *continued*

	<b>Page</b>
<b>SPECIALTY SOLUTIONS (continued)</b>	
Bistro Series™ Tables & Seating .....  ..... 	307
Event Series Folding/Stacking Chairs & Tables .....	310
Drafting Furniture:	
Drawing Tables .....	312
Ranger® Tables .....	313
ProKits .....	316
Straightedges.....	316
Vertical Hanging Files.....	319
Plan Files..... 	321
Small Office/Home Office:	
Eastwinds..... 	326
Machine Stands ..... 	328
<b>COM FORMS</b>	
Terms and Conditions .....	331
Order Form .....	332
<b>PRODUCT INDEX</b>	
Index.....	333

## Key to the ICONS Used Throughout:



= FAST Freight Program



= 72-Hour Kwik-Ship Program



= Corporate Color Program



= Product on GSA Schedule



= Intertek Green Leaf VOC+ Certified

Intertek



= GIZA/CAP

# DESKING



**e5**  
**CSII™**  
**Lateral Files & Bookcases**  
**Communication Station®**  
**TRANSACTION™**  
**VariTask®**

DESKING

CASEGOODS

CONFERENCE &  
TRAINING TABLES

SEATING

STORAGE &  
FILING

SPECIALTY  
SOLUTIONS

COM  
FORMS

PRODUCT  
INDEX



# INTRODUCING e5

e5 is easy to specify, easy to install, easy to power, easy to reconfigure and easy to afford. e5 can be used to furnish everything from private offices and open plan spaces to benching applications – all while promoting productivity and collaboration. The line is comprised of three basic elements: worksurfaces, storage, and power/data solutions.

## Worksurfaces:

The e5 series offers three shapes of worksurfaces – rectangles, trapezoids, and hatchets. The thickness of surfaces is 1 1/8" pressed wood particle board with thermally fused laminate on both sides, then finished with a 2 mm thick, color-matched PVC edge.

For ease of specification and ordering, the e5 worksurfaces and supports have been set up as complete assemblies with one model number including modesty panel options.

## Storage:

e5 offers many types of storage units including:

- Layered height storage
- Surface height cabinets
- Mobile and surface-supporting pedestals
- Freestanding wardrobes and bookcases
- Overhead storage units

All storage units are constructed using thermally-fused laminate and are supported by painted steel legs 1 7/8" high with adjustable levelers (except mobile pedestals). All storage units ship fully assembled except for the legs which are field installed. All storage units feature finished backs. Wood-grain pattern runs vertically on cabinet fronts, sides and backs, and runs side-to-side on horizontal surfaces. Optional seat cushions are offered for layered height storage units and mobile pedestals.

## Power and Data:

e5 delivers convenient power and data connections via its patent-pending Technology Beltway and Technology Wall. All connection points are within arm's reach from a seated position. e5 offers preconfigured power kits that make it extremely easy to specify and install.

## Finish Options:

e5 elements are made from Thermally Fused Laminate in six colors with matching edgebanding. The TFL colors available are Summer Suede, Biltmore Cherry, Cocoa, Designer White, Columbian Walnut and Raven.

Steel parts such as legs and beltways are available in 3 powder coat paint colors: White, Black and Silver.

Door and drawer pulls are standard in silver color and design shown only.

Fabrics for mobile pedestal and cabinet cushions as well as tackboards are part of the Mayline/Momentum textile program. For COM fabrics see order form at the back or the price list for guidelines.

## Safety and Sustainability:

e5 casegoods and worksurfaces have passed safety performance requirements as outlined in BIFMA X5.9-2004 Storage Units and BIFMA X5.5-2008 Desk/Table Products criteria.

Mayline continues to develop products with the environment in mind. e5 has met Intertek Greenleaf VOC+ indoor air quality criteria which conform to the ANSI/BIFMA Furniture Emissions Standards (M7.1 X7.1.2011) for Office Furniture Systems and Components emission criteria and ANSI/BIFMA e3-2011e (Credits 7.6.1 and 7.6.2) for Office Furniture Systems and Components.

All wood core used in the manufacture of e5 is CARB Phase II compliant as required.



# HELPFUL HINTS WHEN SPECIFYING e5

Mayline's new e5 desking line was designed to be easy to specify. The following diagrams will assist you in the steps in designing spaces for private offices to open plan desking areas. Components, when rearranged, work in a variety of office settings offering a uniform and coordinated look throughout the entire office.

**PLAN YOUR SPACE** – With the assistance of the Mayline Spaceplanning Department and the e5 on-line planning survey or self-specifying tools such as GIZA and CAP design libraries, it's easy to plan your space based on room dimensions and end-user requirements. Complete assemblies have been configured so only one model number has to be ordered comprised of (1) worksurface, surface supports, and undersurface surface channel for maximum unit stability.

## CHOOSE FROM THE FOLLOWING TWO OPTIONS:

### 1 PRIVATE OFFICE ENVIRONMENT

**ABOVE SURFACE STORAGE** – Mayline e5 has a number of overhead storage options for private office and open plan. Traditional overhead cabinets with a choice of open fronts, or frosted glass or laminate hinged doors can be wall mounted or surface supported. Overhead units can also be mounted on the technology beltway or wall for additional storage or privacy with tackboard or dry erase board options on the rear of the units.

**ACCESSORIES** – e5 optional elements are available to personalize each workstation. From fabric cushions and tackboards to support modules, LED task and desk lighting and monitor arms, there is a variety of options for meeting most needs.

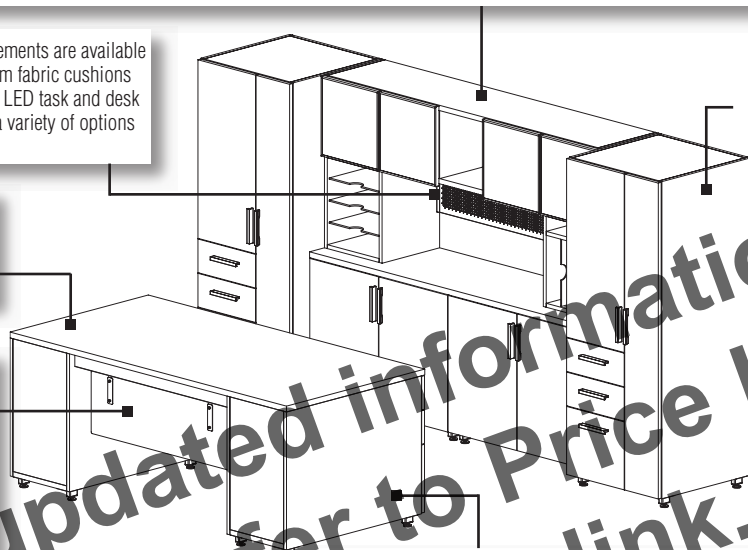
**WORKSURFACE** – Choose from three shapes (rectangular, hatchet or tapered) in a variety of sizes.

**PRIVACY SCREENS & MODESTY PANELS** – 12.5" modesty panels are available in matching TFL or frosted acrylic. When ordering a complete assembly of worksurface and supports, a modesty panel can be chosen by adding ML or MA to the assembly as a suffix.

Frosted acrylic privacy panels provide above surface face-to-face space division. They provide limited privacy and are not designed for sound masking.

**BELOW WORKSURFACE, SURFACE HEIGHT STORAGE & FREESTANDING STORAGE** – A wide selection of conventional storage options are available with a variety of opening combinations. Below worksurface cabinets can double as a support mechanism creating a layered look and saving space in smaller footprint situations. Mobile pedestals, lateral files, bookcases, wardrobes and sliding and hinged door cabinets are available to fill all storage.

**SUPPORT** – A variety of support elements or combination of these options are available to give your environment the look and structure you require. Choose from standard height legs, full end panels or support pedestals for traditional worksurface support. Short legs and combinations of short and standard legs offer a unique layered look when combined with storage elements.



For updated information, please refer to Price List. Addendum link.

### 2 OPEN PLAN ENVIRONMENT

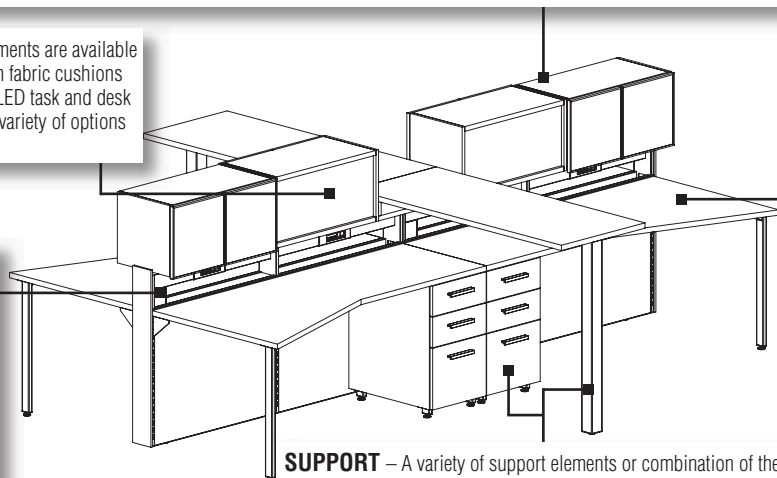
**ABOVE SURFACE STORAGE** – Mayline e5 has a number of overhead storage options for private office and open plan. Traditional overhead cabinets with a choice of open fronts, or frosted glass or laminate hinged doors can be wall mounted or surface supported. Overhead units can also be mounted on the technology beltway or wall for additional storage or privacy with tackboard or dry erase board options on the rear of the units.

**ACCESSORIES** – e5 optional elements are available to personalize each workstation. From fabric cushions and tackboards to support modules, LED task and desk lighting and monitor arms, there is a variety of options for meeting most needs.

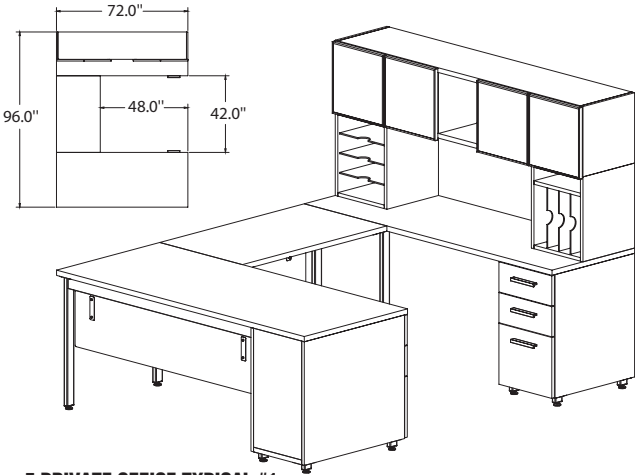
**POWER & DATA** – Via e5's patent pending technology beltway or technology wall, power and data can be carried to the user at seated height. These units are easy to specify using preconfigured power kits and easy to install by simply dropping into the proper space in the beltway or wall. 4-circuit hardwire or single circuit plug-in systems are available.

**WORKSURFACE** – Choose from three shapes (rectangular, hatchet or tapered) in a variety of sizes.

**SUPPORT** – A variety of support elements or combination of these options are available to give your environment the look and structure you require. Choose from standard height legs, full end panels or support pedestals for traditional worksurface support. Short legs and combinations of short and standard legs offer a unique layered look when combined with storage elements.



# e5 TYPICALS

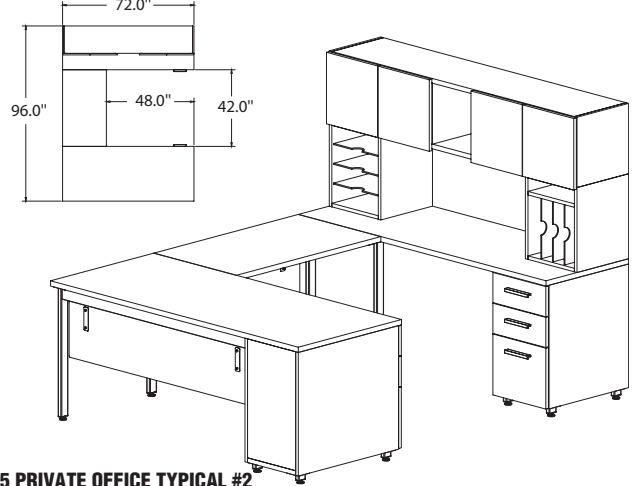


**e5 PRIVATE OFFICE TYPICAL #1**

Consists of:

QTY.	MODEL NO.	DESCRIPTION	LIST PRICE EACH
1	EZ7230LBMA	72" x 30" Top with BBF Pedestal (Left) with Acrylic Modesty Panel	\$2072
1	EZ4224RRMA	42" Bridge with Acrylic Modesty Panel	\$815
1	EZ7224LB	72" x 24" Top with BBF Pedestal (Left)	\$1359
1	EZSM18H	Support Modules/Horizontal	\$418
1	EZSM18V	Support Modules/Vertical	\$418
1	EZH72F	72" Overhead Cabinet with Frosted Glass Doors	\$1332

**TOTAL: \$6414**

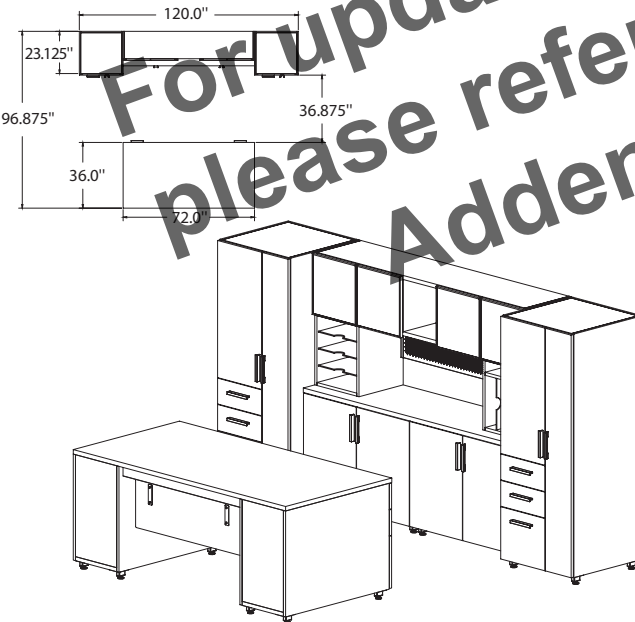


**e5 PRIVATE OFFICE TYPICAL #2**

Consists of:

QTY.	MODEL NO.	DESCRIPTION	LIST PRICE EACH
1	EZ7230LBMA	72" x 30" Top with BBF Pedestal (Left) with Acrylic Modesty Panel	\$2072
1	EZ4224RRMA	42" Bridge with Acrylic Modesty Panel	\$815
1	EZ7224LB	72" x 24" Top with BBF Pedestal (Left)	\$1359
1	EZSM18H	Support Modules/Horizontal	\$418
1	EZSM18V	Support Modules/Vertical	\$418
1	EZH72L	72" Overhead Cabinet with Laminate Doors	\$1000

**TOTAL: \$6082**

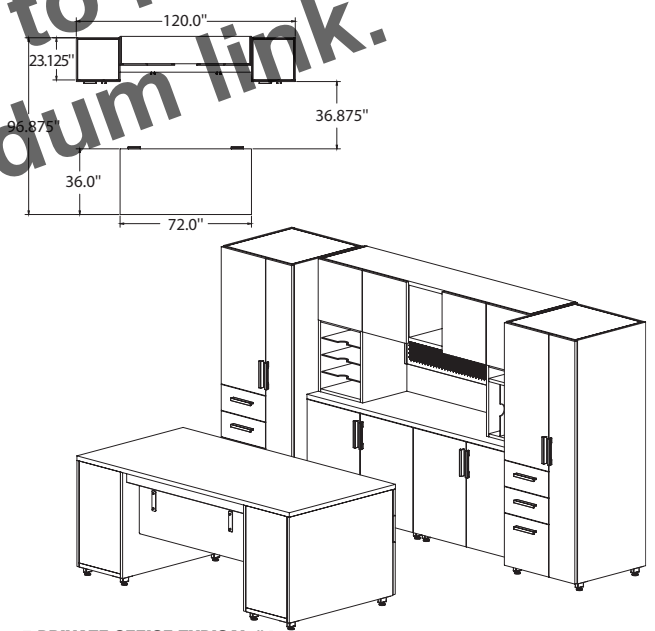


**e5 PRIVATE OFFICE TYPICAL #3**

Consists of:

QTY.	MODEL NO.	DESCRIPTION	LIST PRICE EACH
1	EZ7236BBMA	72" x 36" Double Pedestal BBF Desk with Acrylic Modesty Panel	\$2792
1	EZH72F	72" Overhead Cabinet with Frosted Glass Doors	\$1332
1	EZSM18H	Support Modules/Horizontal	\$418
1	EZSM18V	Support Modules/Vertical	\$418
1	EZTM42	TAK/MAG Tackboard	\$560
1	EZ7228L	72" Laminate Hinged Door Cabinet	\$2201
2	EZWT62	62" Wardrobe	\$2066

**TOTAL: \$11853**



**e5 PRIVATE OFFICE TYPICAL #4**

Consists of:

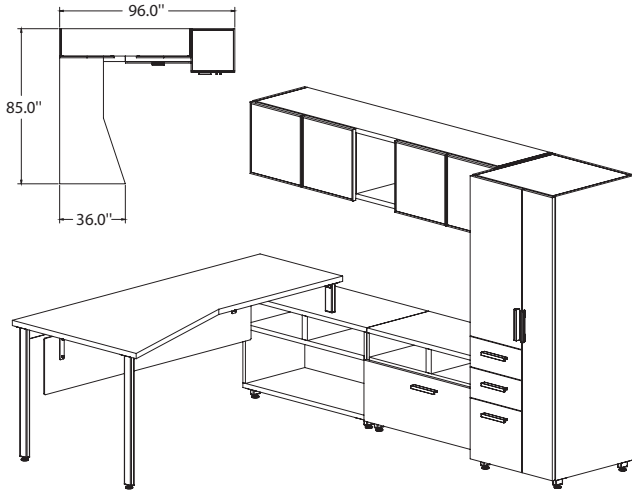
QTY.	MODEL NO.	DESCRIPTION	LIST PRICE EACH
1	EZ7236BBMA	72" x 36" Double Pedestal BBF Desk with Acrylic Modesty Panel	\$2792
1	EZH72L	72" Overhead Cabinet with Laminate Doors	\$1000
1	EZSM18H	Support Modules/Horizontal	\$418
1	EZSM18V	Support Modules/Vertical	\$418
1	EZTM42	TAK/MAG Tackboard	\$560
1	EZ7228L	72" Laminate Hinged Door Cabinet	\$2201
2	EZWT62	62" Wardrobe	\$2066

**TOTAL: \$11521**

For updated information, please refer to Price List Addendum link.



**e5 TYPICALS**

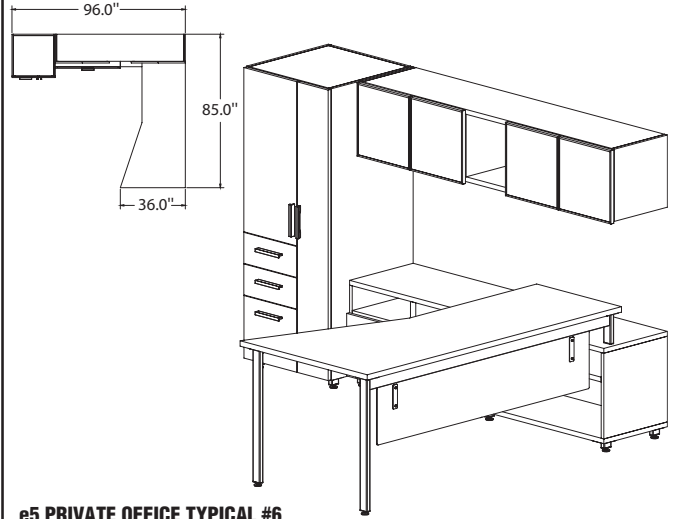


**e5 PRIVATE OFFICE TYPICAL #5**

Consists of:

QTY.	MODEL NO.	DESCRIPTION	LIST PRICE EACH
1	EZHL7224LSMA	72" Left-Handed Hatchet with Acrylic Modesty Panel	\$1469
1	EZH72F	72" Overhead Cabinet with Frosted Glass Doors	\$1332
1	EZWT62	62" Wardrobe	\$2066
1	EZ3623	36" x 23" Open Top/Open Bottom Cabinet	\$730
1	EZ3623F	36" x 23" Open Top/Lateral Drawer Cabinet	\$1034

**TOTAL: \$6631**

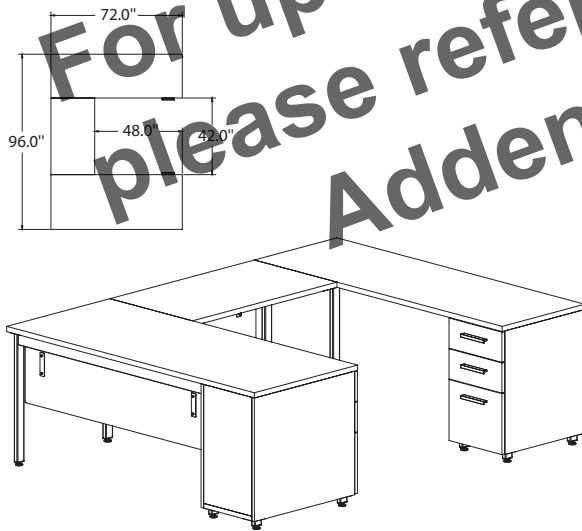


**e5 PRIVATE OFFICE TYPICAL #6**

Consists of:

QTY.	MODEL NO.	DESCRIPTION	LIST PRICE EACH
1	EZHR7224LSMA	72" Right-Handed Hatchet with Acrylic Modesty Panel	\$1469
1	EZH72F	72" Overhead Cabinet with Frosted Glass Doors	\$1332
1	EZWT62	62" Wardrobe	\$2066
1	EZ3623	36" x 23" Open Top/Open Bottom Cabinet	\$730
1	EZ3623F	36" x 23" Open Top/Lateral Drawer Cabinet	\$1034

**TOTAL: \$6631**

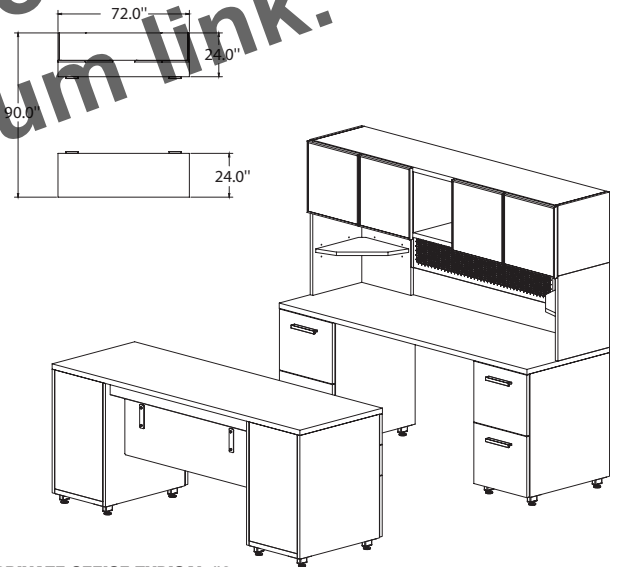


**e5 PRIVATE OFFICE TYPICAL #7**

Consists of:

QTY.	MODEL NO.	DESCRIPTION	LIST PRICE EACH
1	EZ7230LBMA	72" x 30" Top with BBF Pedestal (Left) with Acrylic Modesty Panel	\$2072
1	EZ4224RRMA	42" Bridge with Acrylic Modesty Panel	\$815
1	EZ7224LB	72" x 24" Top with BBF Pedestal (Left)	\$1359

**TOTAL: \$4246**



**e5 PRIVATE OFFICE TYPICAL #8**

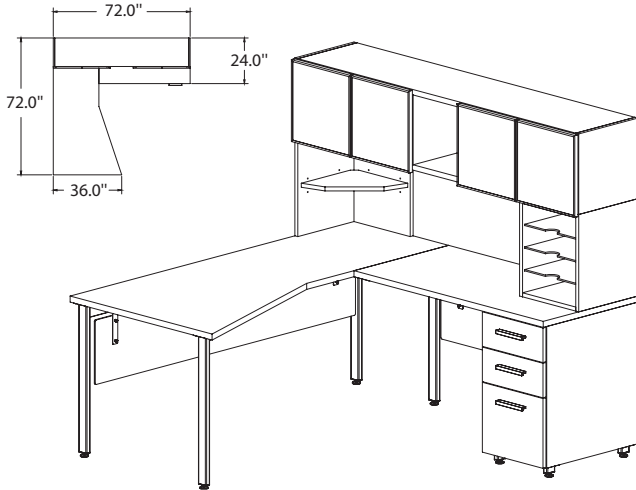
Consists of:

QTY.	MODEL NO.	DESCRIPTION	LIST PRICE EACH
1	EZ7230BBMA	72" x 30" Desk with 2 BBF Pedestals with Acrylic Modesty Panel	\$2606
1	EZ7224FF	72" x 24" Credenza Top with 2 FF Pedestals	\$1952
1	EZTM42	TAK/MAG Tackboard	\$560
1	EZH72F	72" Overhead Cabinet with Frosted Glass Doors	\$1332
2	EZCS	Corner Support for Overhead Cabinet	\$300

**TOTAL: \$7050**

For updated information, please refer to Price List Addendum link.

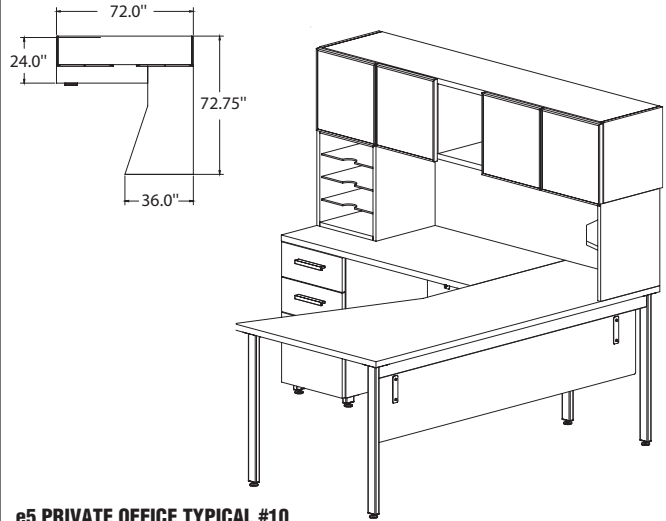
**e5 TYPICALS**



**e5 PRIVATE OFFICE TYPICAL #9**

Consists of:			
QTY.	MODEL NO.	DESCRIPTION	LIST PRICE EACH
1	EZHL7224LLMA	72" x 24" Left-Handed Hatchet Desk with Acrylic Modesty Panel	\$1500
1	EZ4824RBMA	48" x 24" Return with BBF Pedestal	\$1589
1	EZH72F	72" Overhead Cabinet with Frosted Glass Doors	\$1332
1	EZCS	Corner Support for Overhead Cabinet	\$300
1	EZSM18H	Support Modules/Horizontal	\$418

**TOTAL: \$4985**

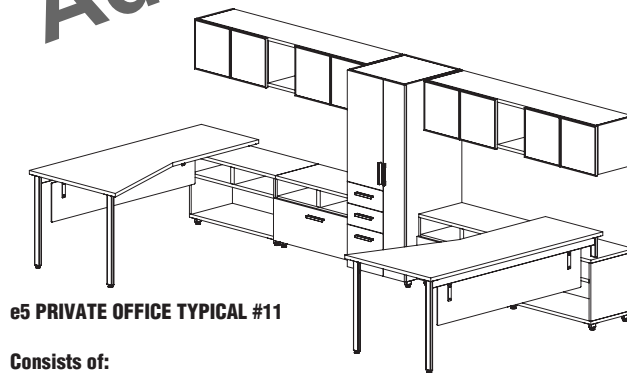


**e5 PRIVATE OFFICE TYPICAL #10**

Consists of:			
QTY.	MODEL NO.	DESCRIPTION	LIST PRICE EACH
1	EZHR7224LLMA	72" x 24" Right-Handed Hatchet Desk with Acrylic Modesty Panel	\$1500
1	EZ4824RBMA	48" x 24" Return with BBF Pedestal	\$1589
1	EZH72F	72" Overhead Cabinet with Frosted Glass Doors	\$1332
1	EZCS	Corner Support for Overhead Cabinet	\$300
1	EZSM18H	Support Modules/Horizontal	\$418

**TOTAL: \$4985**

For updated information, please refer to Price List Addendum link.

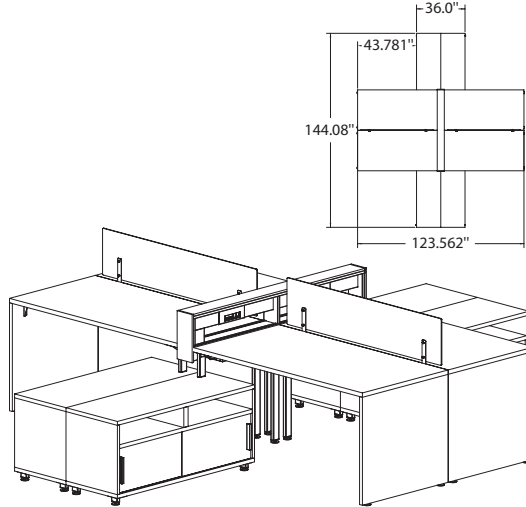


**e5 PRIVATE OFFICE TYPICAL #11**

Consists of:			
QTY.	MODEL NO.	DESCRIPTION	LIST PRICE EACH
1	EZHL7224LSMA	72" x 24" Left-Handed Hatchet Desk with Acrylic Modesty Panel	\$1469
1	EZHR7224LSMA	72" x 24" Right-Handed Hatchet Desk with Acrylic Modesty Panel	\$1469
2	EZ3623	36" x 23" Open Top/Open Bottom Cabinet	\$730
2	EZ3623F	36" x 23" Open Top/Lateral Drawer Cabinet	\$1034
2	EZH72F	72" Overhead Cabinet with Frosted Glass Doors/Wall Mount	\$1332
1	EZWT62	62" Wardrobe	\$2066

**TOTAL: \$11050**

NOTE: Single-Circuit Power provided.



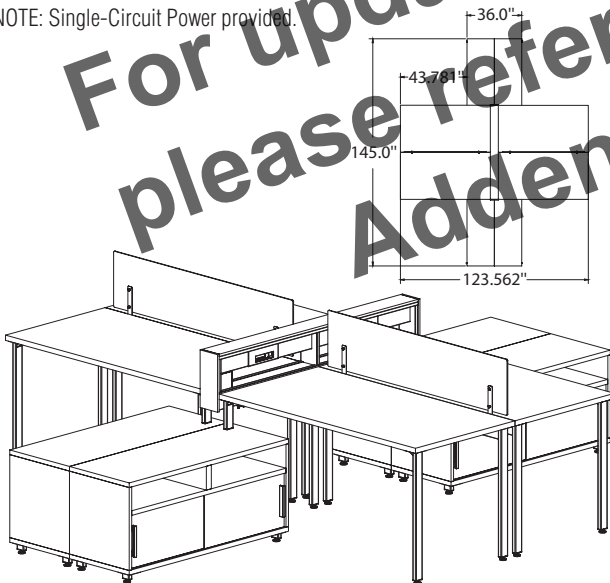
e5 PERSONAL WORKSTATION TYPICAL #12

Consists of:

QTY.	MODEL NO.	DESCRIPTION	LIST PRICE EACH
4	EZEP6030C	60" x 30" with End Panel	\$699
2	EZAPP54	54" Acrylic Privacy Panels	\$651
4	EZ4823S	48" x 23" Open Top/Sliding Door Bottom Cabinet	\$929
1	EZTB60PS	60" Technology Beltway, Single-Circuit System	\$1625

**TOTAL: \$9427**

NOTE: Single-Circuit Power provided.



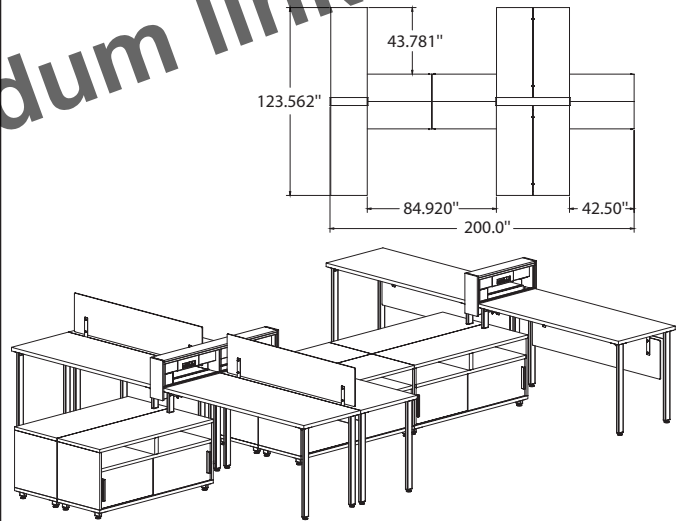
e5 PERSONAL WORKSTATION TYPICAL #14

Consists of:

QTY.	MODEL NO.	DESCRIPTION	LIST PRICE EACH
4	EZ6030LC	60" x 30" with Legs	\$636
2	EZAPP54	54" Acrylic Privacy Panels	\$651
4	EZ4823S	48" x 23" Open Top/Sliding Door Bottom Cabinet	\$929
1	EZTB60PS	60" Technology Beltway, Single-Circuit Starter	\$1625

**TOTAL: \$9187**

NOTE: 4-Circuit Power provided.



e5 PERSONAL WORKSTATION TYPICAL #15

Consists of:

QTY.	MODEL NO.	DESCRIPTION	LIST PRICE EACH
4	EZ6024LC	60" x 24" with Long/Short Legs	\$630
2	EZ6024LCMA	60" x 24" with Long/Short Legs	\$1281
2	EZAPP54	54" Acrylic Privacy Panels	\$651
6	EZ4823S	48" x 23" Open Top/Sliding Door Bottom Cabinet	\$929
1	EZTB48HS	48" Technology Beltway, 4-Circuit Starter	\$1566
1	EZTB24HA	24" Technology Beltway, 4-Circuit Adder	\$1070
1	EZEC206	206"L Interconnecting Cable	\$381

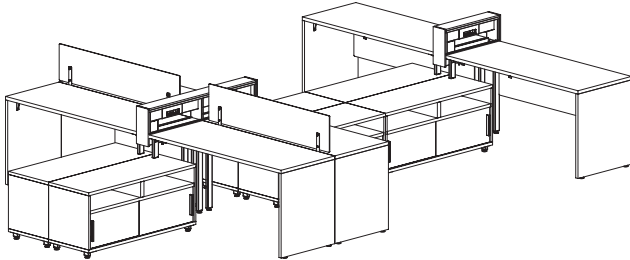
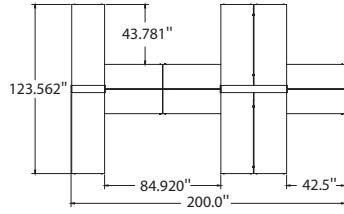
**TOTAL: \$14975**

For updated information, please refer to Price List Addendum link.



**e5 TYPICALS**

NOTE: 4-Circuit Power provided.



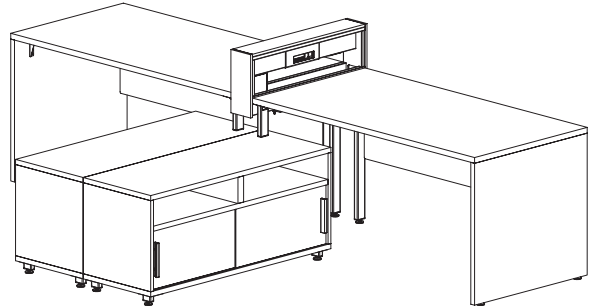
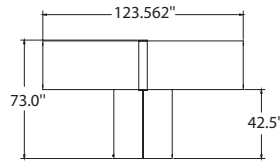
**e5 PERSONAL WORKSTATION TYPICAL #16**

Consists of:

QTY.	MODEL NO.	DESCRIPTION	LIST PRICE EACH
4	EZEP6024C	60" x 24" with End Panels	\$645
2	EZEP6024CMA	60" x 24" with End Panels	\$1296
2	EZAPP54	54" Acrylic Privacy Panels	\$651
6	EZ4823S	48" x 23" Open Top/Sliding Door Bottom Cabinet	\$929
1	EZTB48HS	48" Technology Beltway (4-Circuit Starter)	\$1566
1	EZTB24HA	24" Technology Beltway (4-Circuit Adder)	\$1070
1	EZEC206	206"L Interconnecting Cable	\$381

**TOTAL: \$15065**

NOTE: Single-Circuit Power provided.



**e5 PERSONAL WORKSTATION TYPICAL #17**

Consists of:

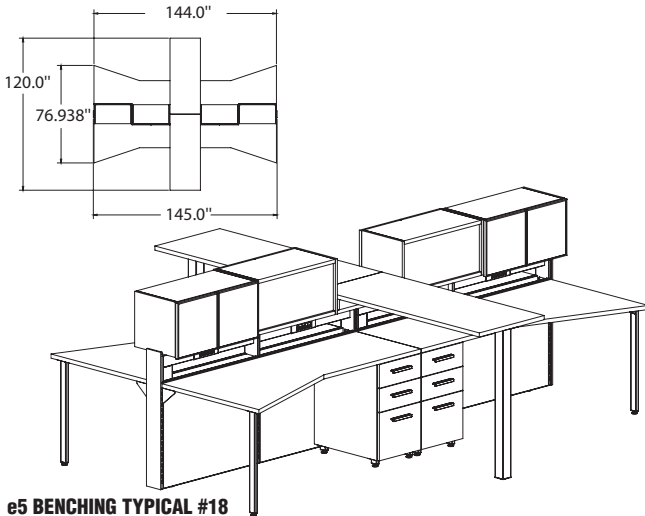
QTY.	MODEL NO.	DESCRIPTION	LIST PRICE EACH
2	EZEP6030CMA	60" x 30" with Legs	\$1347
2	EZ4823S	48" x 23" Open Top/Sliding Door Bottom Cabinet	\$929
1	EZTB30PS	30" Technology Beltway, Single-Circuit Starter	\$1258

**TOTAL: \$5810**

For updated information, please refer to Price List Addendum link.

**e5 TYPICALS**

NOTE: 4-Circuit Power provided.



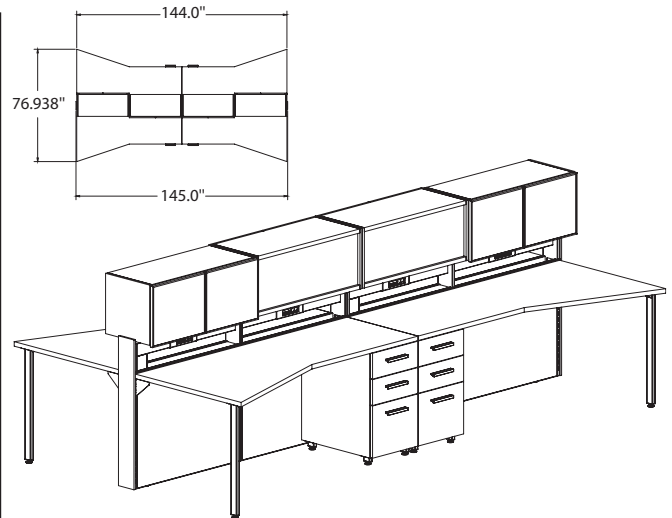
**e5 BENCHING TYPICAL #18**

Consists of:

QTY.	MODEL NO.	DESCRIPTION	LIST PRICE EACH
2	EZHL7224KB	72" x 24" Left-Hand Hatchets with BBF Pedestal Support/Cantilevered Bracket/1 Long Leg	\$1404
2	EZHR7224KB	72" x 24" Right-Hand Hatchets with BBF Pedestal Support/Cantilevered Bracket/1 Long Leg	\$1404
2	EZP6024	Standing Height Peninsula Tables	\$620
4	EZH30F	30" Overhead Cabinets with Frosted Glass Doors	\$718
1	EZTW72HS	Technology Wall, 4-Circuit Starter	\$2726
1	EZTW72HA	Technology Wall, 4-Circuit Adder	\$2576

**TOTAL: \$15266**

NOTE: 4-Circuit Power provided.



**e5 BENCHING TYPICAL #19**

Consists of:

QTY.	MODEL NO.	DESCRIPTION	LIST PRICE EACH
2	EZHL7224KB	72" x 24" Left-Hand Hatchets with BBF Pedestal Support/Cantilevered Bracket/1 Long Leg	\$1404
2	EZHR7224KB	72" x 24" Right-Hand Hatchets with BBF Pedestal Support/Cantilevered Bracket/1 Long Leg	\$1404
4	EZH36F	36" Overhead Cabinets with Frosted Glass Doors	\$757
1	EZTW72HS	Technology Wall, 4-Circuit Starter	\$2726
1	EZTW72HA	Technology Wall, 4-Circuit Adder	\$2576

**TOTAL: \$14182**

NOTE: 4-Circuit Power provided.



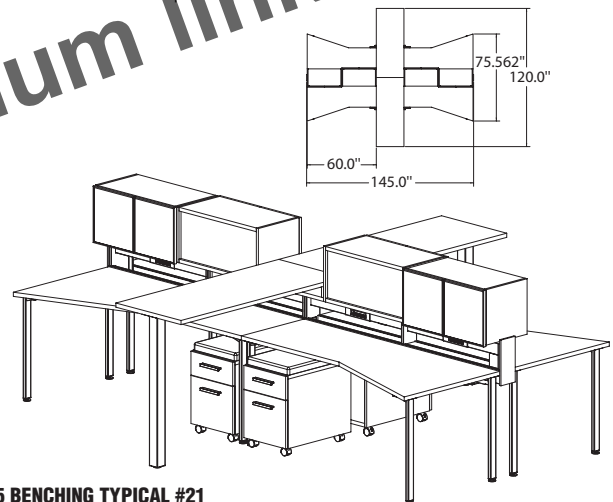
**e5 BENCHING TYPICAL #20**

Consists of:

QTY.	MODEL NO.	DESCRIPTION	LIST PRICE EACH
2	EZHL7224KB	72" x 24" Left-Hand Hatchets with BBF Pedestal Support/Cantilevered Bracket/1 Long Leg	\$1404
2	EZHR7224KB	72" x 24" Right-Hand Hatchets with BBF Pedestal Support/Cantilevered Bracket/1 Long Leg	\$1404
1	EZTW72HS	Technology Wall, 4-Circuit Starter	\$2726
1	EZTW72HA	Technology Wall, 4-Circuit Adder	\$2576

**TOTAL: \$10918**

NOTE: 4-Circuit Power provided.



**e5 BENCHING TYPICAL #21**

Consists of:

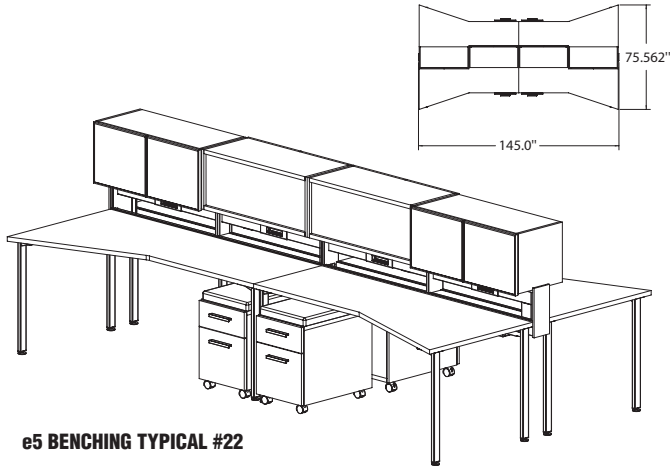
QTY.	MODEL NO.	DESCRIPTION	LIST PRICE EACH
2	EZHL7224LL	72" x 24" Left-Hand Hatchets with 1 Long Leg	\$833
2	EZHR7224LL	72" x 24" Right-Hand Hatchets with 1 Long Leg	\$833
2	EZP6024	Standing Height Peninsula Tables	\$620
4	EZH30F	30" Overhead Cabinets with Frosted Glass Doors	\$718
4	EZPM24BF	Mobile Pedestal	\$593
4	EZSC15	Upholstered Cushion	\$265
1	EZTB72HS	Technology Beltway, 4-Circuit Starter	\$1742
1	EZTB72HA	Technology Beltway, 4-Circuit Adder	\$1592

**TOTAL: \$14210**

For updated information, please refer to Price List Addendum link.

**e5 TYPICALS**

NOTE: 4-Circuit Power provided.



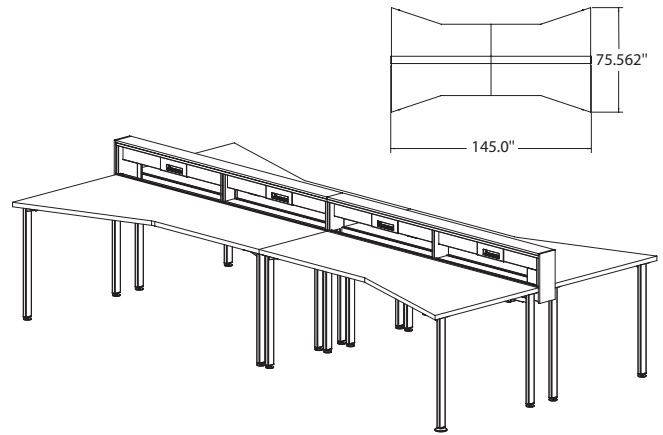
**e5 BENCHING TYPICAL #22**

Consists of:

QTY.	MODEL NO.	DESCRIPTION	LIST PRICE EACH
2	EZHL7224LL	72" x 24" Left-Hand Hatchets with 1 Long Leg	\$833
2	EZHR7224LL	72" x 24" Right-Hand Hatchets with 1 Long Leg	\$833
4	EZH36F	36" Overhead Cabinets with Frosted Glass Doors	\$757
4	EZPM24BF	Mobile Pedestal	\$593
4	EZSC15	Upholstered Cushion	\$265
1	EZTB72HS	Technology Beltway, 4-Circuit Starter	\$1742
1	EZTB72HA	Technology Beltway, 4-Circuit Adder	\$1592

**TOTAL: \$13127**

NOTE: 4-Circuit Power provided.



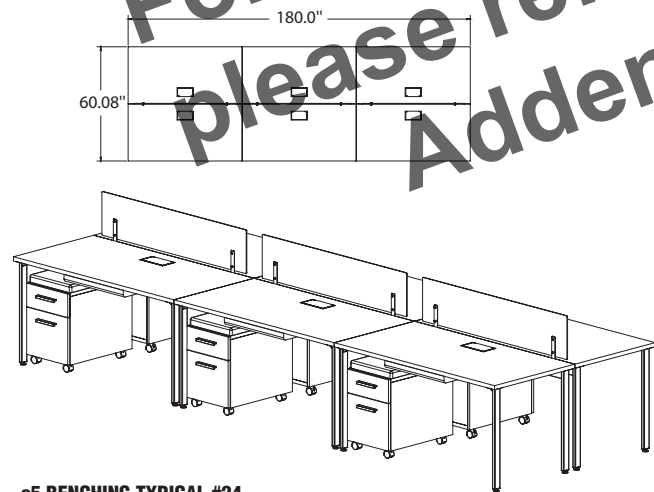
**e5 BENCHING TYPICAL #23**

Consists of:

QTY.	MODEL NO.	DESCRIPTION	LIST PRICE EACH
2	EZHL7224LL	72" x 24" Left-Hand Hatchets with 1 Long Leg	\$833
2	EZHR7224LL	72" x 24" Right-Hand Hatchets with 1 Long Leg	\$833
1	EZTB72HS	Technology Beltway, 4-Circuit Starter	\$1742
1	EZTB72HA	Technology Beltway, 4-Circuit Adder	\$1592

**TOTAL: \$6666**

NOTE: Single-Circuit Power provided.



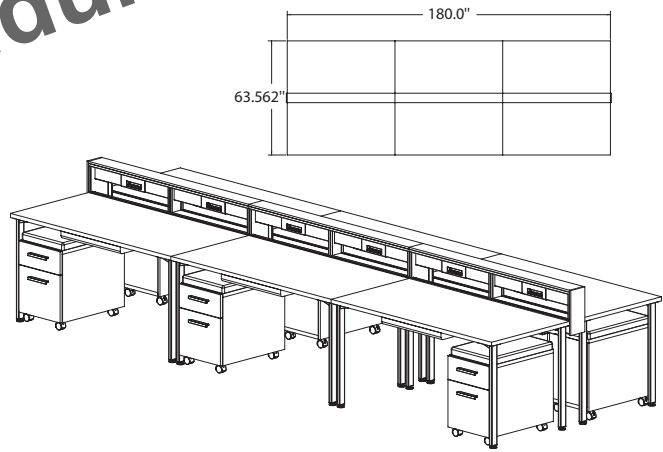
**e5 BENCHING TYPICAL #24**

Consists of:

QTY.	MODEL NO.	DESCRIPTION	LIST PRICE EACH
6	EZ6030LL	60" x 30" Tops with Long Legs	\$647
6	EZPM24BF	Mobile Pedestals	\$593
6	EZSC15*	Cushions	\$265
3	EZAPP54	Privacy Screens	\$651
6	19400	Pencil Drawers	\$87
1	ECS	72", Single-Circuit Infeed	\$257
6	EC60FS	60" Table Power Kit	\$521

**TOTAL: \$14888**

NOTE: 4-Circuit Power provided.



**e5 BENCHING TYPICAL #25**

Consists of:

QTY.	MODEL NO.	DESCRIPTION	LIST PRICE EACH
6	EZ6030LL	60" x 30" Tops with Long Legs	\$647
6	EZPM24BF	Mobile Pedestals	\$593
6	EZSC15*	Cushions	\$265
6	19400	Pencil Drawers	\$87
1	EZTB60HS	Technology Beltway, 4-Circuit Starter	\$1651
2	EZTB60HA	Technology Beltway, 4-Circuit Adder	\$1492

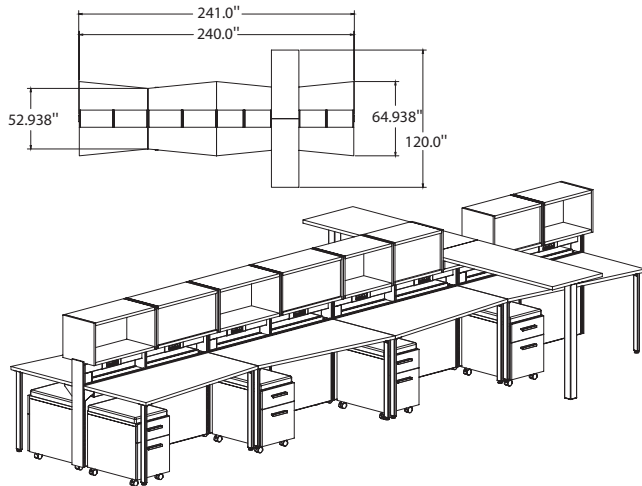
**TOTAL: \$14187**

\*Grade Two fabric only on cushions when part of this Typical.

\*Grade Two fabric only on cushions when part of this Typical.

**e5 TYPICALS**

NOTE: 4-Circuit Power provided.



**e5 BENCHING TYPICAL #26**

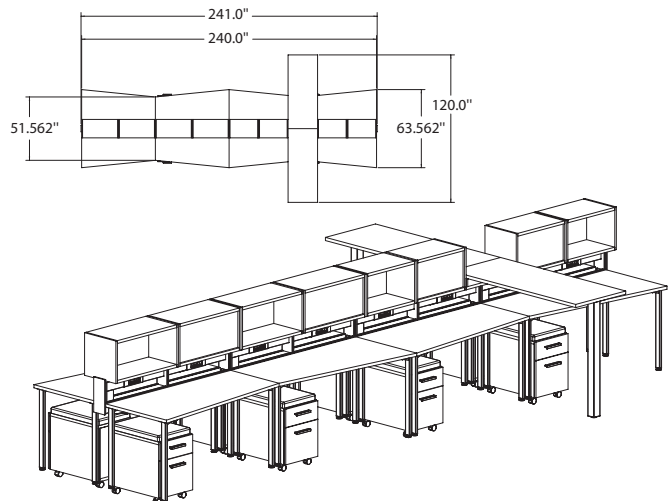
Consists of:

QTY.	MODEL NO.	DESCRIPTION	LIST PRICE EACH
4	EZTL60LW	60"L Tapered Worksurface/Left-Handed/Cantilevered	\$570
4	EZTR60LW	60"L Tapered Worksurface/Right-Handed/Cantilevered	\$570
2	EZP6024	Standing Height Peninsula Tables	\$620
8	EZPM24BF	Mobile Pedestal	\$593
8	EZSC15*	Seat Cushion for Mobile Pedestal	\$265
4	EZH30	30" Overhead Cabinet	\$408
4	EZH24	24" Overhead Cabinet	\$374
1	EZTW60HS	Technology Wall, 4-Circuit Starter	\$2544
3	EZTW60HA	Technology Wall, 4-Circuit Adder	\$2385

**TOTAL: \$25963**

\*Grade Two fabric only on cushions when part of this Typical.

NOTE: 4-Circuit Power provided.



**e5 BENCHING TYPICAL #27**

Consists of:

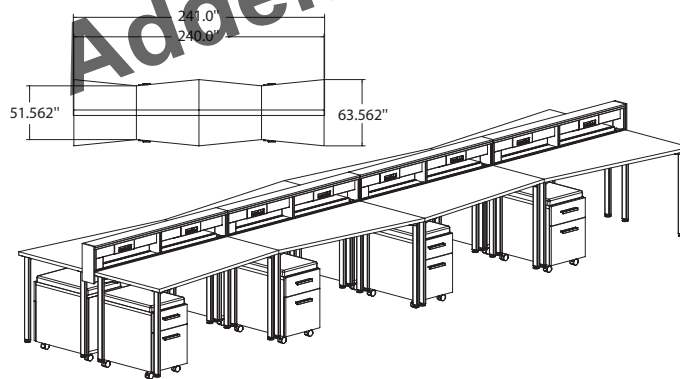
QTY.	MODEL NO.	DESCRIPTION	LIST PRICE EACH
4	EZTL60LL	60"L Tapered Worksurface/Left-Handed	\$682
4	EZTR60LL	60"L Tapered Worksurface/Right-Handed	\$682
2	EZP6024	Standing Height Peninsula Tables	\$620
8	EZPM24BF	Mobile Pedestal	\$593
8	EZSC15*	Seat Cushion for Mobile Pedestal	\$265
4	EZH30	30" Overhead Cabinet	\$408
4	EZH24	24" Overhead Cabinet	\$374
1	EZTB60HS	Technology Beltway, 4-Circuit Starter	\$1651
3	EZTB60HA	Technology Beltway, 4-Circuit Adder	\$1492

**TOTAL: \$22815**

\*Grade Two fabric only on cushions when part of this Typical.

For updated information, please refer to Price List Addendum link

NOTE: 4-Circuit Power provided.



**e5 BENCHING TYPICAL #28**

Consists of:

QTY.	MODEL NO.	DESCRIPTION	LIST PRICE EACH
4	EZTL60LL	60"L Tapered Worksurface/Left-Handed	\$682
4	EZTR60LL	60"L Tapered Worksurface/Right-Handed	\$682
8	EZPM24BF	Mobile Pedestal	\$593
8	EZSC15*	Seat Cushion for Mobile Pedestal	\$265
1	EZTB60HS	Technology Beltway, 4-Circuit Starter	\$1651
3	EZTB60HA	Technology Beltway, 4-Circuit Adder	\$1492

**TOTAL: \$18447**

\*Grade Two fabric only on cushions when part of this Typical.



# e5 WORKSURFACES AND SUPPORTS – COMPLETE ASSEMBLIES

Make specifying easy; choose an assembly that is ordered with one model number complete.

- 1 1/8" Thermally Fused Laminate worksurfaces available in 6 colors with matching 2mm PVC edging – Summer Suede, Cocoa, Biltmore Cherry, Designer White, Columbian Walnut and Raven.
- Assemblies consist of a worksurface, support, surface support channel, and optional modesty panels.
- All assemblies include hardware and installation instructions.
- Optional modesty panels are available in frosted acrylic or laminate with attachment hardware included.
- Short legs are intended to be used with Layered Height Storage Cabinets.



## RECTANGULAR SURFACE/LEG SUPPORT ASSEMBLIES

	Model No.	Dimensions	List Price	Laminate Modesty Panel (+ML)	Acrylic Modesty Panel (+MA)
 EZ7224LL  EZ7224LLMA  EZ7224LS  EZ7224LSMA  EZ7224LC  EZ7224LCMA  EZ7236LC	<b>Surface/4 Standard Legs</b>				
	EZ4824LL	48"W x 24"D x 29 1/2"H	\$611	\$923	\$1093
	EZ6024LL	60"W x 24"D x 29 1/2"H	\$641	\$987	\$1292
	EZ7224LL	72"W x 24"D x 29 1/2"H	\$679	\$1036	\$1357
	EZ4830LL	48"W x 30"D x 29 1/2"H	\$617	\$929	\$1099
	EZ6030LL	60"W x 30"D x 29 1/2"H	\$647	\$993	\$1129
	EZ7230LL	72"W x 30"D x 29 1/2"H	\$689	\$1046	\$1367
	EZ6036LL	60"W x 36"D x 29 1/2"H	\$696	\$1042	\$1347
	EZ7236LL	72"W x 36"D x 29 1/2"H	\$741	\$1098	\$1419
	<b>Surface/2 Standard Legs/2 Short Legs</b>				
EZ4824LS	48"W x 24"D x 29 1/2"H	\$580	\$888	\$1032	
EZ6024LS	60"W x 24"D x 29 1/2"H	\$610	\$926	\$1259	
EZ7224LS	72"W x 24"D x 29 1/2"H	\$648	\$999	\$1315	
EZ4830LS	48"W x 30"D x 29 1/2"H	\$586	\$894	\$1038	
EZ6030LS	60"W x 30"D x 29 1/2"H	\$616	\$932	\$1265	
EZ7230LS	72"W x 30"D x 29 1/2"H	\$658	\$1009	\$1325	
EZ6036LS	60"W x 36"D x 29 1/2"H	\$665	\$981	\$1314	
EZ7236LS	72"W x 36"D x 29 1/2"H	\$710	\$1061	\$1377	
<b>Surface/3 Standard Legs/1 Short Leg</b>					
EZ4824LC	48"W x 24"D x 29 1/2"H	\$600	\$912	\$1082	
EZ6024LC	60"W x 24"D x 29 1/2"H	\$630	\$976	\$1281	
EZ7224LC	72"W x 24"D x 29 1/2"H	\$668	\$1025	\$1346	
EZ6030LC	60"W x 30"D x 29 1/2"H	\$636	\$982	\$1287	
EZ7230LC	72"W x 30"D x 29 1/2"H	\$678	\$1035	\$1356	
EZ6036LC	60"W x 36"D x 29 1/2"H	\$685	\$1031	\$1336	
EZ7236LC	72"W x 36"D x 29 1/2"H	\$730	\$1087	\$1408	

## RECTANGULAR SURFACE/FULL END PANEL SUPPORT ASSEMBLIES

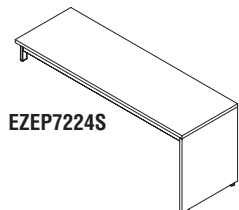
	Model No.	Dimensions	List Price	Laminate Modesty Panel (+ML)	Acrylic Modesty Panel (+MA)
 EZEP4824LMA  EZEP7224L  EZEP7224C	<b>Surface/End Panel/2 Standard Legs</b>				
	EZEP4824L	48"W x 24"D x 29 1/2"H	\$614	\$926	\$1096
	EZEP6024L	60"W x 24"D x 29 1/2"H	\$656	\$1002	\$1307
	EZEP7224L	72"W x 24"D x 29 1/2"H	\$755	\$1112	\$1433
	EZEP4830L	48"W x 30"D x 29 1/2"H	\$760	\$1072	\$1242
	EZEP6030L	60"W x 30"D x 29 1/2"H	\$707	\$1053	\$1358
	EZEP7230L	72"W x 30"D x 29 1/2"H	\$767	\$1124	\$1445
	EZEP6036L	60"W x 36"D x 29 1/2"H	\$760	\$1106	\$1411
	EZEP7236L	72"W x 36"D x 29 1/2"H	\$820	\$1177	\$1498
	<b>Surface/End Panel/1 Standard Leg/1 Short Leg</b>				
EZEP4824C	48"W x 24"D x 29 1/2"H	\$603	\$915	\$1085	
EZEP6024C	60"W x 24"D x 29 1/2"H	\$645	\$991	\$1296	
EZEP7224C	72"W x 24"D x 29 1/2"H	\$744	\$1101	\$1422	
EZEP4830C	48"W x 30"D x 29 1/2"H	\$749	\$1061	\$1231	
EZEP6030C	60"W x 30"D x 29 1/2"H	\$696	\$1042	\$1347	

**HOW TO SPECIFY:** Select Model No. (i.e., EZ4824LL) | **OPTION 1** Select Modesty Panel if desired (Add Suffix) ML (Laminate Panel); MA (Acrylic Panel) | **OPTION 2** Select Laminate See page 8 for colors | **OPTION 3** Select Paint Finish for metal parts TKSv (Tech Silver); BLCK (Black); WHIT (White)

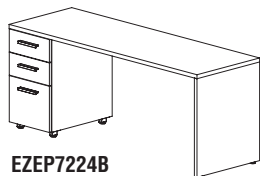
**e5 WORKSURFACES AND SUPPORTS – COMPLETE ASSEMBLIES**

**RECTANGULAR SURFACE/FULL END PANEL SUPPORT ASSEMBLIES (CONTINUED)**

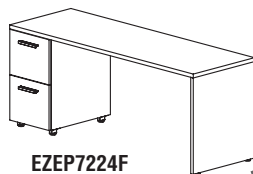
Model No.	Dimensions	List Price	Laminate Modesty Panel (+ML)	Acrylic Modesty Panel (+MA)
<b>Surface/End Panel/1 Standard Leg/1 Short Leg (continued)</b>				
EZEP7230C	72"W x 30"D x 29 1/2"H	\$756	\$1113	\$1434
EZEP6036C	60"W x 36"D x 29 1/2"H	\$749	\$1095	\$1400
EZEP7236C	72"W x 36"D x 29 1/2"H	\$809	\$1166	\$1460
<b>Surface/End Panel/2 Short Legs</b>				
EZEP4824S	48"W x 24"D x 29 1/2"H	\$583	\$891	\$1035
EZEP6024S	60"W x 24"D x 29 1/2"H	\$625	\$941	\$1274
EZEP7224S	72"W x 24"D x 29 1/2"H	\$724	\$1075	\$1391
EZEP4830S	48"W x 30"D x 29 1/2"H	\$729	\$1037	\$1181
EZEP6030S	60"W x 30"D x 29 1/2"H	\$676	\$992	\$1325
EZEP7230S	72"W x 30"D x 29 1/2"H	\$736	\$1087	\$1403
EZEP6036S	60"W x 36"D x 29 1/2"H	\$729	\$1045	\$1378
EZEP7236S	72"W x 36"D x 29 1/2"H	\$789	\$1140	\$1456
<b>Surface/End Panel/BBF Pedestal</b>				
EZEP4824B	48"W x 24"D x 29 1/2"H	\$1293	\$1590	\$1694
EZEP6024B	60"W x 24"D x 29 1/2"H	\$1335	\$1647	\$1817
EZEP7224B	72"W x 24"D x 29 1/2"H	\$1432	\$1778	\$2083
EZEP4830B	48"W x 30"D x 29 1/2"H	\$1491	\$1788	\$1892
EZEP6030B	60"W x 30"D x 29 1/2"H	\$1438	\$1750	\$1920
EZEP7230B	72"W x 30"D x 29 1/2"H	\$1496	\$1842	\$2147
EZEP6036B	60"W x 36"D x 29 1/2"H	\$1558	\$1870	\$2040
EZEP7236B	72"W x 36"D x 29 1/2"H	\$1616	\$1962	\$2267
<b>Surface/End Panel/FF Pedestal</b>				
EZEP4824F	48"W x 24"D x 29 1/2"H	\$1240	\$1546	\$1650
EZEP6024F	60"W x 24"D x 29 1/2"H	\$1291	\$1603	\$1773
EZEP7224F	72"W x 24"D x 29 1/2"H	\$1388	\$1734	\$2039
EZEP4830F	48"W x 30"D x 29 1/2"H	\$1447	\$1744	\$1848
EZEP6030F	60"W x 30"D x 29 1/2"H	\$1394	\$1706	\$1876
EZEP7230F	72"W x 30"D x 29 1/2"H	\$1452	\$1798	\$2103
EZEP6036F	60"W x 36"D x 29 1/2"H	\$1489	\$1801	\$1971
EZEP7236F	72"W x 36"D x 29 1/2"H	\$1547	\$1893	\$2198



EZEP7224S



EZEP7224B



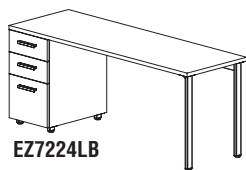
EZEP7224F



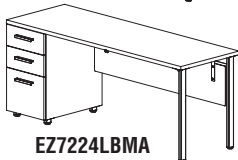
EZEP7224FMA

**RECTANGULAR SURFACE/SUPPORT PEDESTAL ASSEMBLIES**

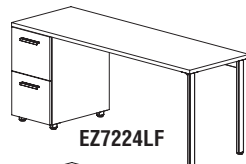
Model No.	Dimensions	List Price	Laminate Modesty Panel (+ML)	Acrylic Modesty Panel (+MA)
<b>Surface/BBF Pedestal/2 Standard Legs</b>				
EZ4824LB	48"W x 24"D x 29 1/2"H	\$1291	\$1588	\$1692
EZ6024LB	60"W x 24"D x 29 1/2"H	\$1320	\$1632	\$1802
EZ7224LB	72"W x 24"D x 29 1/2"H	\$1359	\$1705	\$2010
EZ6030LB	60"W x 30"D x 29 1/2"H	\$1378	\$1690	\$1860
EZ7230LB	72"W x 30"D x 29 1/2"H	\$1421	\$1767	\$2072
EZ6036LB	60"W x 36"D x 29 1/2"H	\$1494	\$1806	\$1976
EZ7236LB	72"W x 36"D x 29 1/2"H	\$1540	\$1886	\$2191
<b>Surface/FF Pedestal/2 Standard Legs</b>				
EZ4824LF	48"W x 24"D x 29 1/2"H	\$1247	\$1544	\$1648
EZ6024LF	60"W x 24"D x 29 1/2"H	\$1276	\$1588	\$1758
EZ7224LF	72"W x 24"D x 29 1/2"H	\$1315	\$1661	\$1966
EZ6030LF	60"W x 30"D x 29 1/2"H	\$1334	\$1646	\$1816
EZ7230LF	72"W x 30"D x 29 1/2"H	\$1377	\$1723	\$2028
EZ6036LF	60"W x 36"D x 29 1/2"H	\$1425	\$1737	\$1907
EZ7236LF	72"W x 36"D x 29 1/2"H	\$1471	\$1817	\$2122



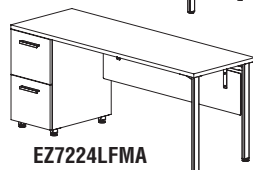
EZ7224LB



EZ7224LBMA



EZ7224LF



EZ7224LFMA

**HOW TO SPECIFY:**  
Select Model No. (ie., EZEP4824S)

**OPTION 1** Select Modesty Panel if desired (Add Suffix)  
ML (Laminate Panel), MA (Acrylic Panel)

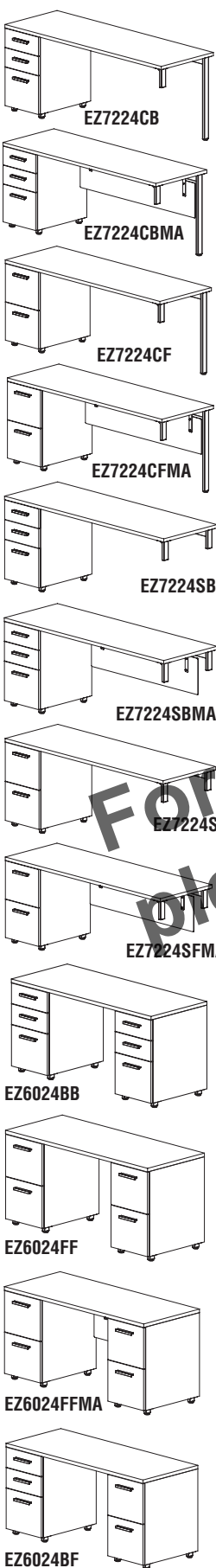
**OPTION 2** Select Laminate  
See page 8 for colors

**OPTION 3** Select Paint Finish for metal parts  
TKSV (Tech Silver); BLCK (Black); WHIT (White)

DESKING  
CASEGOODS  
CONFERENCE & TRAINING TABLES  
SEATING  
STORAGE & FILING  
SPECIALTY SOLUTIONS  
COM FORMS  
PRODUCT INDEX

e5 WORKSURFACES AND SUPPORTS – COMPLETE ASSEMBLIES

RECTANGULAR SURFACE/SUPPORT PEDESTAL ASSEMBLIES (CONTINUED)



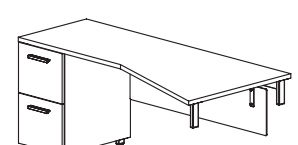
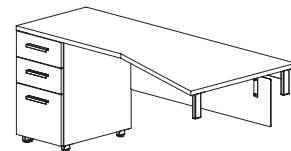
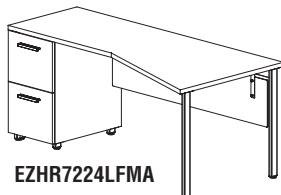
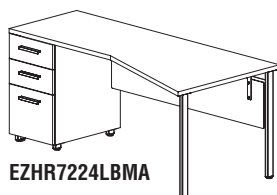
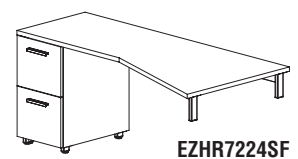
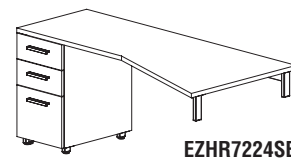
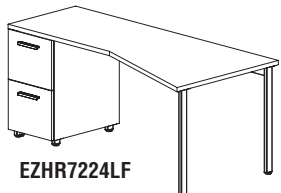
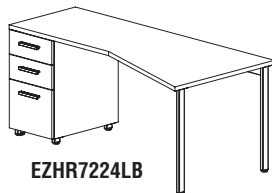
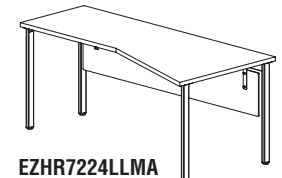
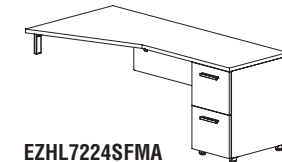
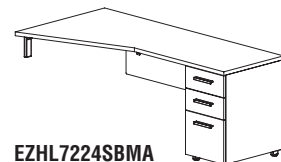
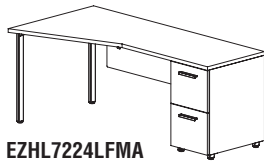
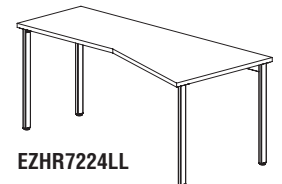
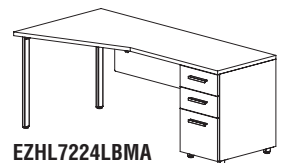
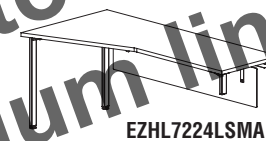
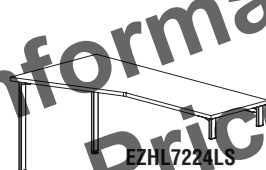
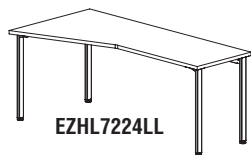
Model No.	Dimensions	List Price	Laminate Modesty Panel (+ML)	Acrylic Modesty Panel (+MA)
<b>Surface/BBF Pedestal/1 Standard Leg/1 Short Leg</b>				
EZ4824CB	48"W x 24"D x 29 1/2"H	\$1280	\$1577	\$1681
EZ6024CB	60"W x 24"D x 29 1/2"H	\$1309	\$1621	\$1791
EZ7224CB	72"W x 24"D x 29 1/2"H	\$1348	\$1694	\$1999
EZ6030CB	60"W x 30"D x 29 1/2"H	\$1367	\$1679	\$1849
EZ7230CB	72"W x 30"D x 29 1/2"H	\$1410	\$1756	\$2061
EZ6036CB	60"W x 36"D x 29 1/2"H	\$1483	\$1795	\$1965
EZ7236CB	72"W x 36"D x 29 1/2"H	\$1529	\$1875	\$2180
<b>Surface/FF Pedestal/1 Standard Leg/1 Short Leg</b>				
EZ4824CF	48"W x 24"D x 29 1/2"H	\$1236	\$1533	\$1637
EZ6024CF	60"W x 24"D x 29 1/2"H	\$1265	\$1577	\$1747
EZ7224CF	72"W x 24"D x 29 1/2"H	\$1304	\$1650	\$1955
EZ6030CF	60"W x 30"D x 29 1/2"H	\$1323	\$1635	\$1805
EZ7230CF	72"W x 30"D x 29 1/2"H	\$1366	\$1712	\$2017
EZ6036CF	60"W x 36"D x 29 1/2"H	\$1414	\$1726	\$1896
EZ7236CF	72"W x 36"D x 29 1/2"H	\$1460	\$1806	\$2111
<b>Surface/BBF Pedestal/2 Short Legs</b>				
EZ4824SB	48"W x 24"D x 29 1/2"H	\$1260	\$1553	\$1652
EZ6024SB	60"W x 24"D x 29 1/2"H	\$1289	\$1582	\$1741
EZ7224SB	72"W x 24"D x 29 1/2"H	\$1328	\$1644	\$1977
EZ6030SB	60"W x 30"D x 29 1/2"H	\$1347	\$1655	\$1799
EZ7230SB	72"W x 30"D x 29 1/2"H	\$1390	\$1706	\$2039
EZ6036SB	60"W x 36"D x 29 1/2"H	\$1463	\$1771	\$1915
EZ7236SB	72"W x 36"D x 29 1/2"H	\$1509	\$1825	\$2158
<b>Surface/FF Pedestal/2 Short Legs</b>				
EZ4824SF	48"W x 24"D x 29 1/2"H	\$1216	\$1509	\$1608
EZ6024SF	60"W x 24"D x 29 1/2"H	\$1245	\$1553	\$1697
EZ7224SF	72"W x 24"D x 29 1/2"H	\$1284	\$1600	\$1933
EZ6030SF	60"W x 30"D x 29 1/2"H	\$1303	\$1611	\$1755
EZ7230SF	72"W x 30"D x 29 1/2"H	\$1346	\$1662	\$1995
EZ6036SF	60"W x 36"D x 29 1/2"H	\$1394	\$1702	\$1846
EZ7236SF	72"W x 36"D x 29 1/2"H	\$1440	\$1756	\$2089
<b>Surface/2 BBF Pedestals</b>				
EZ6024BB	60"W x 24"D x 29 1/2"H	\$1999	\$2292	\$2391
EZ7224BB	72"W x 24"D x 29 1/2"H	\$2040	\$2348	\$2492
EZ6030BB	60"W x 30"D x 29 1/2"H	\$2109	\$2402	\$2501
EZ7230BB	72"W x 30"D x 29 1/2"H	\$2154	\$2462	\$2606
EZ6036BB	60"W x 36"D x 29 1/2"H	\$2292	\$2585	\$2684
EZ7236BB	72"W x 36"D x 29 1/2"H	\$2340	\$2648	\$2792
<b>Surface/2 FF Pedestals</b>				
EZ6024FF	60"W x 24"D x 29 1/2"H	\$1911	\$2204	\$2303
EZ7224FF	72"W x 24"D x 29 1/2"H	\$1952	\$2260	\$2404
EZ6030FF	60"W x 30"D x 29 1/2"H	\$2021	\$2314	\$2413
EZ7230FF	72"W x 30"D x 29 1/2"H	\$2066	\$2374	\$2518
EZ6036FF	60"W x 36"D x 29 1/2"H	\$2154	\$2447	\$2546
EZ7236FF	72"W x 36"D x 29 1/2"H	\$2202	\$2510	\$2654
<b>Surface/BBF Pedestal/FF Pedestal</b>				
EZ6024BF	60"W x 24"D x 29 1/2"H	\$1955	\$2248	\$2347
EZ7224BF	72"W x 24"D x 29 1/2"H	\$1996	\$2304	\$2448
EZ6030BF	60"W x 30"D x 29 1/2"H	\$2065	\$2358	\$2457
EZ7230BF	72"W x 30"D x 29 1/2"H	\$2110	\$2418	\$2562
EZ6036BF	60"W x 36"D x 29 1/2"H	\$2223	\$2516	\$2615
EZ7236BF	72"W x 36"D x 29 1/2"H	\$2271	\$2579	\$2723

For updated information, please refer to Price List Addendum link.

**e5 WORKSURFACES AND SUPPORTS – COMPLETE ASSEMBLIES**

**HATCHET SURFACE/SUPPORT COMPLETE ASSEMBLIES**

Model No.	Description	Dimensions	List Price	Laminate Modesty Panel (+ML)	Acrylic Modesty Panel (+MA)
<b>EZHL7224LL</b>	Hatchet Left Surface w/4 Standard Legs	72"W x 36"-24"D x 29 1/2"H	\$833	\$1190	\$1500
<b>EZHL7224SS</b>	Hatchet Left Surface w/4 Short Legs	72"W x 36"-24"D x 29 1/2"H	\$653	\$999	\$1304
<b>EZHL7224LC</b>	Hatchet Left Surface w/3 Standard Legs & 1 Short Leg	72"W x 36"-24"D x 29 1/2"H	\$822	\$1173	\$1489
<b>EZHL7224LS</b>	Hatchet Left Surface w/2 Standard Legs & 2 Short Legs	72"W x 36"-24"D x 29 1/2"H	\$1482	\$1153	\$1469
<b>EZHL7224LB</b>	Hatchet Left Surface w/2 Std. Legs & 1 BBF Pedestal	72"W x 36"-24"D x 29 1/2"H	\$1513	\$1859	\$2164
<b>EZHL7224LF</b>	Hatchet Left Surface w/2 Std. Legs & 1 FF Pedestal	72"W x 36"-24"D x 29 1/2"H	\$1469	\$1020	\$2120
<b>EZHL7224SB</b>	Hatchet Left Surface w/2 Short Legs & 1 BBF Pedestal	72"W x 36"-24"D x 29 1/2"H	\$1482	\$1798	\$2131
<b>EZHL7224SF</b>	Hatchet Left Surface w/2 Short Legs & 1 FF Pedestal	72"W x 36"-24"D x 29 1/2"H	\$1438	\$1754	\$2087
<b>EZHR7224LL</b>	Hatchet Right Surface w/4 Standard Legs	72"W x 36"-24"D x 29 1/2"H	\$833	\$1190	\$1500
<b>EZHR7224SS</b>	Hatchet Right Surface w/4 Short Legs	72"W x 36"-24"D x 29 1/2"H	\$771	\$1117	\$1422
<b>EZHR7224LC</b>	Hatchet Right Surface w/3 Standard Legs & 1 Short Leg	72"W x 36"-24"D x 29 1/2"H	\$822	\$1173	\$1489
<b>EZHR7224LS</b>	Hatchet Right Surface w/2 Standard Legs & 2 Short Legs	72"W x 36"-24"D x 29 1/2"H	\$802	\$1153	\$1469
<b>EZHR7224LB</b>	Hatchet Right Surface w/2 Std. Legs & 1 BBF Pedestal	72"W x 36"-24"D x 29 1/2"H	\$1513	\$1859	\$2164
<b>EZHR7224LF</b>	Hatchet Right Surface w/2 Std. Legs & 1 FF Pedestal	72"W x 36"-24"D x 29 1/2"H	\$1469	\$1740	\$2120
<b>EZHR7224SB</b>	Hatchet Right Surface w/2 Short Legs & 1 BBF Pedestal	72"W x 36"-24"D x 29 1/2"H	\$1482	\$1798	\$2131
<b>EZHR7224SF</b>	Hatchet Right Surface w/2 Short Legs & 1 FF Pedestal	72"W x 36"-24"D x 29 1/2"H	\$1438	\$1754	\$2087



**HOW TO SPECIFY:** Select Model No. (i.e., EZHL7224LL) | **OPTION 1** Select Modesty Panel if desired (Add Suffix) ML (Laminate Panel), MA (Acrylic Panel) | **OPTION 2** Select Laminate See page 8 for colors | **OPTION 3** Select Paint Finish for metal parts TKS (Tech Silver); BLCK (Black); WHIT (White)

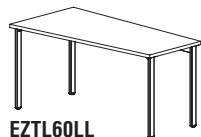
**DESKING**  
**CASEGOODS**  
**CONFERENCE & TRAINING TABLES**  
**SEATING**  
**STORAGE & FILING**  
**SPECIALTY SOLUTIONS**  
**COM FORMS**  
**PRODUCT INDEX**



## e5 WORKSURFACES AND SUPPORTS – COMPLETE ASSEMBLIES

## TAPERED SURFACE/SUPPORT COMPLETE ASSEMBLIES

Model No.	Description	Dimensions	List Price	Laminate Modesty Panel (+ML)	Acrylic Modesty Panel (+MA)
EZTL60LL	60" Tapered Left Surface w/4 Standard Legs	60"W x 30"-24"D x 29 1/2"H	\$682	\$1028	\$1333
EZTL60SS	60" Tapered Left Surface w/4 Short Legs	60"W x 30"-24"D x 29 1/2"H	\$620	\$932	\$1102
EZTL60LC	60" Tapered Left Surface w/3 Std. Legs & 1 Short Leg	60"W x 30"-24"D x 29 1/2"H	\$671	\$1017	\$1322
EZTL60LS	60" Tapered Left Surface w/2 Std. Legs & 2 Short Legs	60"W x 30"-24"D x 29 1/2"H	\$660	\$976	\$1309
EZTL72LL	72" Tapered Left Surface w/4 Standard Legs	72"W x 30"-24"D x 29 1/2"H	\$730	\$1087	\$1408
EZTL72SS	72" Tapered Left Surface w/4 Short Legs	72"W x 30"-24"D x 29 1/2"H	\$668	\$1014	\$1319
EZTL72LC	72" Tapered Left Surface w/3 Std. Legs & 1 Short Leg	72"W x 30"-24"D x 29 1/2"H	\$719	\$1076	\$1322
EZTL72LS	72" Tapered Left Surface w/2 Std. Legs & 2 Short Legs	72"W x 30"-24"D x 29 1/2"H	\$708	\$1054	\$1359
EZTR60LL	60" Tapered Right Surface w/4 Standard Legs	60"W x 30"-24"D x 29 1/2"H	\$682	\$1028	\$1333
EZTR60SS	60" Tapered Right Surface w/4 Short Legs	60"W x 30"-24"D x 29 1/2"H	\$620	\$932	\$1102
EZTR60LC	60" Tapered Right Surface w/3 Std. Legs & 1 Short Leg	60"W x 30"-24"D x 29 1/2"H	\$671	\$1017	\$1322
EZTR60LS	60" Tapered Right Surface w/2 Std. Legs & 2 Short Legs	60"W x 30"-24"D x 29 1/2"H	\$660	\$976	\$1309
EZTR72LL	72" Tapered Right Surface w/4 Standard Legs	72"W x 30"-24"D x 29 1/2"H	\$730	\$1087	\$1408
EZTR72SS	72" Tapered Right Surface w/4 Short Legs	72"W x 30"-24"D x 29 1/2"H	\$668	\$1014	\$1319
EZTR72LC	72" Tapered Right Surface w/3 Std. Legs & 1 Short Leg	72"W x 30"-24"D x 29 1/2"H	\$719	\$1076	\$1397
EZTR72LS	72" Tapered Right Surface w/2 Std. Legs & 2 Short Legs	72"W x 30"-24"D x 29 1/2"H	\$708	\$1054	\$1359



EZTL60LL



EZTL60LLMA



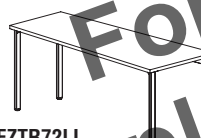
EZTL60SS



EZTL60LS



EZTL60LSMA



EZTR72LL



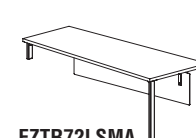
EZTR72LLMA



EZTR72SS



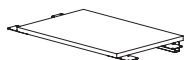
EZTR72LS



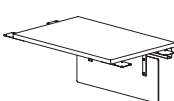
EZTR72LSMA

## BRIDGE SURFACE/SUPPORT COMPLETE ASSEMBLIES

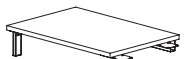
Model No.	Dimensions	List Price	Laminate Modesty Panel (+ML)	Acrylic Modesty Panel (+MA)
<b>Bridge Surface with 4 Attaching Brackets</b>				
EZ3624RR	36"W x 24"D x 29 1/2"H	\$313	\$610	\$714
EZ4224RR	42"W x 24"D x 29 1/2"H	\$363	\$912	\$815
EZ4824RR	48"W x 24"D x 29 1/2"H	\$404	\$716	\$886
<b>Bridge Surface with 2 Short Legs &amp; 2 Attaching Brackets</b>				
EZ3624SR	36"W x 24"D x 29 1/2"H	\$419	\$716	\$820
EZ4224SR	42"W x 24"D x 29 1/2"H	\$436	\$744	\$888
EZ4824SR	48"W x 24"D x 29 1/2"H	\$479	\$791	\$961



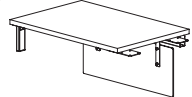
EZ3624RR



EZ3624RRMA



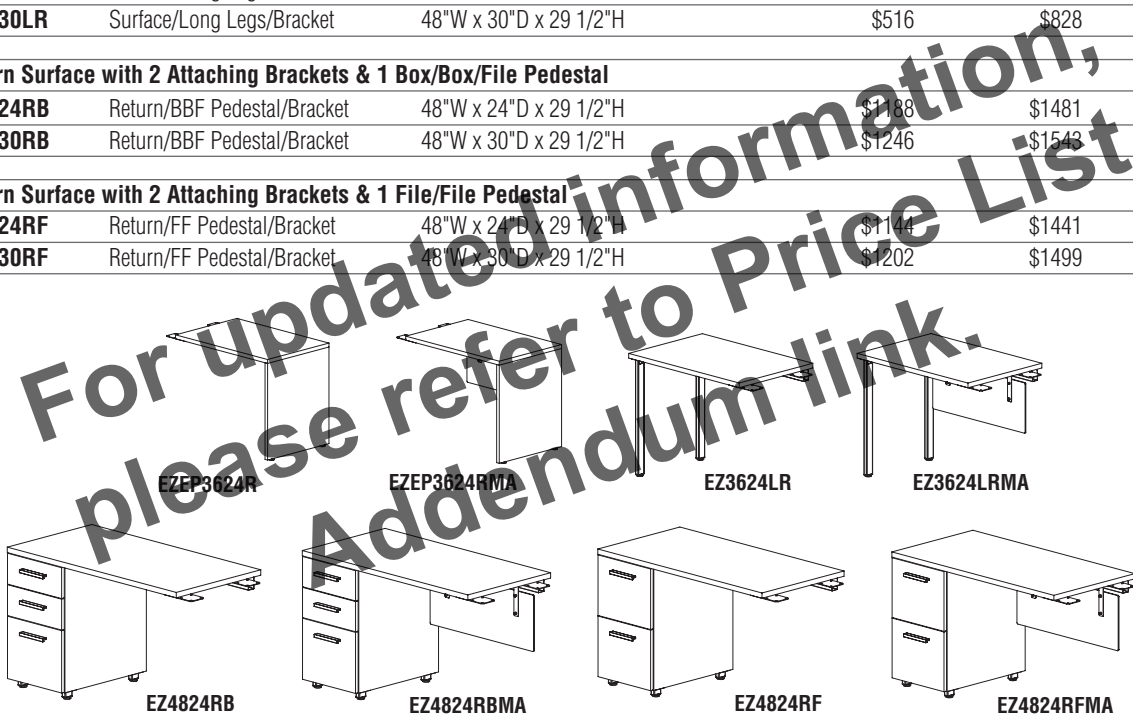
EZ3624SR



EZ3624SRMA

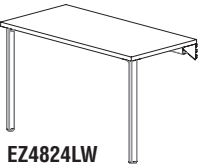

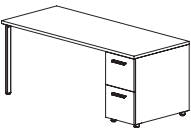
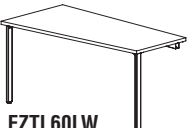

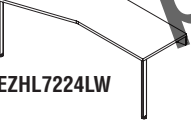

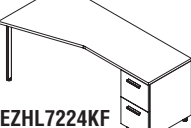
RETURN SURFACE/SUPPORT COMPLETE ASSEMBLIES

Model No.	Description	Dimensions	List Price	Laminate Modesty Panel (+ML)	Acrylic Modesty Panel (+MA)
<b>Return Surface with Full End Panel &amp; 2 Attaching Brackets</b>					
EZEP3624R	Surface/24" End Panel/Bracket	36"W x 24"D x 29 1/2"H	\$439	\$736	\$831
EZEP4224R	Surface/24" End Panel/Bracket	42"W x 24"D x 29 1/2"H	\$470	\$782	\$922
EZEP4824R	Surface/24" End Panel/Bracket	48"W x 24"D x 29 1/2"H	\$512	\$824	\$994
EZEP3630R	Surface/30" End Panel/Bracket	36"W x 30"D x 29 1/2"H	\$494	\$791	\$895
EZEP4230R	Surface/30" End Panel/Bracket	42"W x 30"D x 29 1/2"H	\$532	\$840	\$984
EZEP4830R	Surface/30" End Panel/Bracket	48"W x 30"D x 29 1/2"H	\$658	\$970	\$1140
<b>Return Surface with 2 Standard Legs &amp; 2 Attaching Brackets</b>					
EZ3624LR	Surface/Long Legs/Bracket	36"W x 24"D x 29 1/2"H	\$450	\$747	\$851
EZ4224LR	Surface/Long Legs/Bracket	42"W x 24"D x 29 1/2"H	\$467	\$775	\$919
EZ4824LR	Surface/Long Legs/Bracket	48"W x 24"D x 29 1/2"H	\$510	\$822	\$992
EZ3630LR	Surface/Long Legs/Bracket	36"W x 30"D x 29 1/2"H	\$441	\$738	\$842
EZ4230LR	Surface/Long Legs/Bracket	42"W x 30"D x 29 1/2"H	\$477	\$785	\$929
EZ4830LR	Surface/Long Legs/Bracket	48"W x 30"D x 29 1/2"H	\$516	\$828	\$998
<b>Return Surface with 2 Attaching Brackets &amp; 1 Box/Box/File Pedestal</b>					
EZ4824RB	Return/BBF Pedestal/Bracket	48"W x 24"D x 29 1/2"H	\$1188	\$1481	\$1589
EZ4830RB	Return/BBF Pedestal/Bracket	48"W x 30"D x 29 1/2"H	\$1246	\$1543	\$1647
<b>Return Surface with 2 Attaching Brackets &amp; 1 File/File Pedestal</b>					
EZ4824RF	Return/FF Pedestal/Bracket	48"W x 24"D x 29 1/2"H	\$1144	\$1441	\$1545
EZ4830RF	Return/FF Pedestal/Bracket	48"W x 30"D x 29 1/2"H	\$1202	\$1499	\$1603



**HOW TO SPECIFY:** Select Model No. (ie., EZEP3624R) | **OPTION 1** Select Modesty Panel if desired (Add Suffix) ML (Laminate Panel), MA (Acrylic Panel) | **OPTION 2** Select Laminate See page 8 for colors | **OPTION 3** Select Paint Finish for metal parts TKS (Tech Silver); BLCK (Black); WHIT (White)

## CANTILEVERED TECH WALL SURFACES/SUPPORT COMPLETE ASSEMBLIES

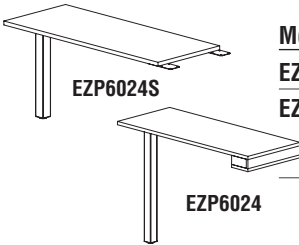
	Model No.	Description	Dimensions	List Price
	<b>Rectangular Surface with 2 Standard Legs &amp; 2 Cantilevered Brackets</b>			
	EZ4824LW		48"W x 24"D x 29 1/2"H	\$499
	EZ6024LW		60"W x 24"D x 29 1/2"H	\$529
	EZ7224LW		72"W x 24"D x 29 1/2"H	\$567
	EZ4830LW		48"W x 30"D x 29 1/2"H	\$505
	EZ6030LW		60"W x 30"D x 29 1/2"H	\$535
	EZ7230LW		72"W x 30"D x 29 1/2"H	\$577
	<b>Rectangular Surface with 1 Standard Leg, 1 Cantilevered Bracket &amp; BBF Pedestal</b>			
	EZ4824KB		48"W x 24"D x 29 1/2"H	\$1200
	EZ6024KB		60"W x 24"D x 29 1/2"H	\$1219
	EZ7224KB		72"W x 24"D x 29 1/2"H	\$1250
	EZ4830KB		48"W x 30"D x 29 1/2"H	\$1258
	EZ6030KB		60"W x 30"D x 29 1/2"H	\$1277
	EZ7230KB		72"W x 30"D x 29 1/2"H	\$1312
	<b>Rectangular Surface with 1 Standard Leg, 1 Cantilevered Bracket &amp; FF Pedestal</b>			
	EZ4824KF		48"W x 24"D x 29 1/2"H	\$1156
	EZ6024KF		60"W x 24"D x 29 1/2"H	\$1175
	EZ7224KF		72"W x 24"D x 29 1/2"H	\$1206
	EZ4830KF		48"W x 30"D x 29 1/2"H	\$1214
	EZ6030KF		60"W x 30"D x 29 1/2"H	\$1233
	EZ7230KF		72"W x 30"D x 29 1/2"H	\$1268
	<b>Tapered Surface with 2 Standard Legs &amp; 2 Cantilevered Brackets</b>			
	EZTL60LW	Tapered Surface/Left	60"W x 30"-24"D x 29 1/2"H	\$570
	EZTL72LW	Tapered Surface/Left	72"W x 30"-24"D x 29 1/2"H	\$618
	EZTR60LW	Tapered Surface/Right	60"W x 30"-24"D x 29 1/2"H	\$570
	EZTR72LW	Tapered Surface/Right	72"W x 30"-24"D x 29 1/2"H	\$618
		<b>Hatchet Surface with 2 Standard Legs &amp; 2 Cantilevered Brackets</b>		
	EZHL7224LW	Hatchet Surface/Left	72"W x 36"-24"D x 29 1/2"H	\$721
	EZHR7224LW	Hatchet Surface/Right	72"W x 36"-24"D x 29 1/2"H	\$721
	<b>Hatchet Surface with 1 Standard Leg, 1 Cantilevered Bracket &amp; BBF Pedestal</b>			
	EZHL7224KB	Hatchet Surface/Left	72"W x 36"-24"D x 29 1/2"H	\$1404
	EZHR7224KB	Hatchet Surface/Right	72"W x 36"-24"D x 29 1/2"H	\$1404
	<b>Hatchet Surface with 1 Standard Leg, 1 Cantilevered Bracket &amp; FF Pedestal</b>			
	EZHL7224KF	Hatchet Surface/Left	72"W x 36"-24"D x 29 1/2"H	\$1360
	EZHR7224KF	Hatchet Surface/Right	72"W x 36"-24"D x 29 1/2"H	\$1360
	EZHL7224KF			

For updated information, please refer to Price List Addendum link.

**e5 WORKSURFACES AND SUPPORTS – COMPLETE ASSEMBLIES**

**PENINSULA TABLES**

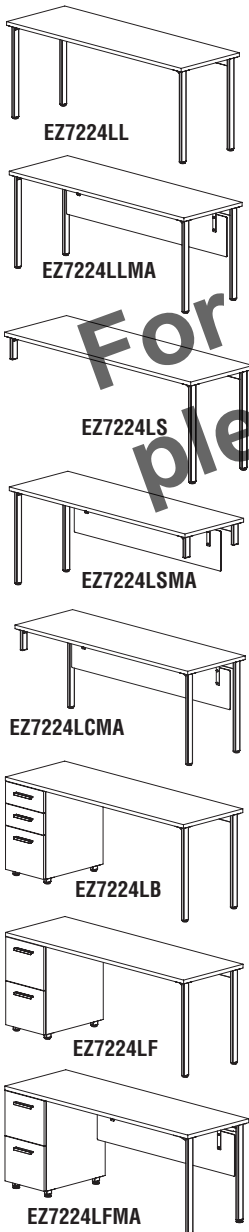
- 1 1/8" Thermally Fused Laminate worksurfaces available in 6 colors with matching 2mm PVC edging.
- Sizes: 60"W x 24"D x 29 1/2"H (seated height); 60"W x 24"D x 42"H (standing height).
- Single Painted Steel Post Leg in White, Silver or Black.
- Seated height table provides additional workspace or meeting area.
- Standing height table perfect for collaborative meetings.
- Standing height table includes an under-surface back storage cubbie which is attached to the top and the beltway.
- Standing height table can support an overhead access module (EZCA24 on page 30) that can be a passthrough to the other side of the beltway.



Model No.	Description	Dimensions	Wt.	List Price
<b>EZP6024S</b>	Peninsula Table – Standard Desk Height with Post Leg	60"W x 24"D x 29 1/2"H	61#	\$434
<b>EZP6024</b>	Peninsula Table – Standing Height with Post Leg and underneath storage cubbie that attaches to the technology beltway	60"W x 24"D x 42"H	70#	\$620

**CREDENZAS**

- Pedestal and legs are non-handed to allow for installation on right or left.
- File/File (FF) and Box/Box/File (BBF) pedestals available.
- Refer to Overhead Storage Cabinets for above surface credenza storage.
- Optional laminate or acrylic modesty panels.



Model No.	Dimensions	List Price	Laminate Modesty Panel (+ML)	Acrylic Modesty Panel (+MA)
<b>Surface/4 Standard Legs</b>				
<b>EZ6024LL</b>	60"W x 24"D x 29 1/2"H	\$641	\$987	\$1292
<b>EZ7224LL</b>	72"W x 24"D x 29 1/2"H	\$679	\$1036	\$1357
<b>Surface/2 Standard Legs/2 Short Legs</b>				
<b>EZ6024LS</b>	60"W x 24"D x 29 1/2"H	\$610	\$926	\$1259
<b>EZ7224LS</b>	72"W x 24"D x 29 1/2"H	\$648	\$999	\$1315
<b>Surface/3 Standard Legs/1 Short Leg</b>				
<b>EZ6024LC</b>	60"W x 24"D x 29 1/2"H	\$630	\$976	\$1281
<b>EZ7224LC</b>	72"W x 24"D x 29 1/2"H	\$668	\$1025	\$1346
<b>Surface/2 Standard Legs/BBF Pedestal</b>				
<b>EZ6024LB</b>	60"W x 24"D x 29 1/2"H	\$1320	\$1632	\$1802
<b>EZ7224LB</b>	72"W x 24"D x 29 1/2"H	\$1359	\$1705	\$2010
<b>Surface/2 Standard Legs/FF Pedestal</b>				
<b>EZ6024LF</b>	60"W x 24"D x 29 1/2"H	\$1276	\$1588	\$1758
<b>EZ7224LF</b>	72"W x 24"D x 29 1/2"H	\$1315	\$1661	\$1966
<b>Surface/2 Short Legs/BBF Pedestal</b>				
<b>EZ6024SB</b>	60"W x 24"D x 29 1/2"H	\$1289	\$1582	\$1741
<b>EZ7224SB</b>	72"W x 24"D x 29 1/2"H	\$1328	\$1644	\$1977
<b>Surface/2 BBF Pedestals</b>				
<b>EZ6024BB</b>	60"W x 24"D x 29 1/2"H	\$1999	\$2292	\$2391
<b>EZ7224BB</b>	72"W x 24"D x 29 1/2"H	\$2040	\$2348	\$2492
<b>Surface/2 FF Pedestals</b>				
<b>EZ6024FF</b>	60"W x 24"D x 29 1/2"H	\$1911	\$2204	\$2303
<b>EZ7224FF</b>	72"W x 24"D x 29 1/2"H	\$1952	\$2260	\$2404

For updated information, please refer to Price List Appendix link.

**HOW TO SPECIFY:**  
Select Model No. (i.e., EZP6024S)

- OPTION 1** Select Modesty Panel if desired (Add Suffix) ML (Laminate Panel), MA (Acrylic Panel)
- OPTION 2** Select Laminate See page 8 for colors
- OPTION 3** Select Paint Finish for metal parts TKSv (Tech Silver); BLCK (Black); WHIT (White)



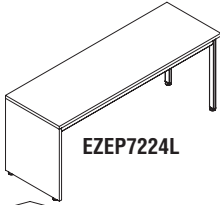
**e5 WORKSURFACES AND SUPPORTS – COMPLETE ASSEMBLIES**

**CREDENZAS (CONTINUED)**



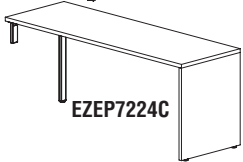
EZ6024BF

Model No.	Dimensions	Wt.	List Price	Laminate Modesty Panel (+ML)	Acrylic Modesty Panel (+MA)
<b>Surface/BBF Pedestal/FF Pedestal</b>					
EZ6024BF	60"W x 24"D x 29 1/2"H		\$1955	\$2248	\$2347
EZ7224BF	72"W x 24"D x 29 1/2"H		\$1996	\$2304	\$2448



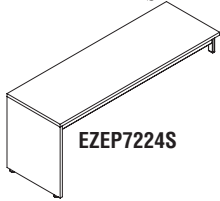
EZEP6024L

<b>Surface/2 Standard Legs/End Panel</b>					
EZEP6024L	60"W x 24"D x 29 1/2"H		\$656	\$1002	\$1307
EZEP7224L	72"W x 24"D x 29 1/2"H		\$755	\$1112	\$1433



EZEP7224C

<b>Surface/1 Standard Leg/1 Short Leg/End Panel</b>					
EZEP6024C	60"W x 24"D x 29 1/2"H		\$645	\$991	\$1296
EZEP7224C	72"W x 24"D x 29 1/2"H		\$744	\$1101	\$1422

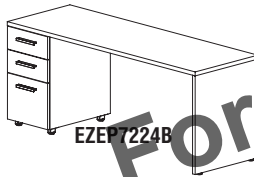


EZEP7224S

<b>Surface/2 Short Legs/End Panel</b>					
EZEP6024S	60"W x 24"D x 29 1/2"H		\$625	\$941	\$1274
EZEP7224S	72"W x 24"D x 29 1/2"H		\$724	\$1075	\$1391

<b>Surface/End Panel/BBF Pedestal</b>					
EZEP6024B	60"W x 24"D x 29 1/2"H		\$1335	\$1647	\$1817
EZEP7224B	72"W x 24"D x 29 1/2"H		\$1432	\$1778	\$2083

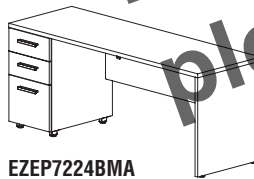
<b>Surface/End Panel/FF Pedestal</b>					
EZEP6024F	60"W x 24"D x 29 1/2"H		\$1291	\$1603	\$1773
EZEP7224F	72"W x 24"D x 29 1/2"H		\$1388	\$1734	\$2039



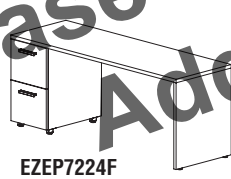
EZEP7224B

<b>Surface Height Storage Cabinets – Upper Divided Open/Bottom Open (Two 36" Cabinets w/Common 1 1/8" Top)</b>					
EZ7228	72"W x 18"D x 29 1/2"H	173#	\$1810	N/A	N/A

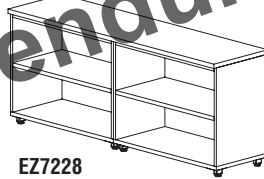
<b>Surface Height Storage Cabinets – Hinged Laminate Doors (Two 36" Cabinets w/Common 1 1/8" Top)</b>					
EZ7228L	72"W x 18"D x 29 1/2"H	197#	\$2201	N/A	N/A



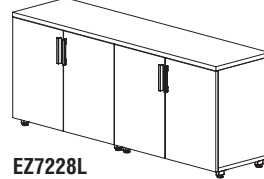
EZEP7224BMA



EZEP7224F



EZ7228



EZ7228L

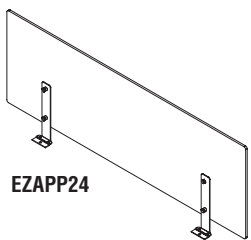
**e5 ABOVE SURFACE ACRYLIC PRIVACY SCREENS**



Stylish frosted acrylic screens with flame polished edges to give the appearance of glass.

- Standard Green Crystal Ice Acrylic/frosted on both sides. No color specification required.
- Overall screen height with bracket is 12 1/2". Brackets/Hardware included.
- Painted steel brackets are available in White, Silver or Black. Specify paint finish color.
- Screens are meant to be space dividers or used for limited privacy – not sound absorbing.
- To specify, choose panel that is 6" shorter than worksurface. (For example, 60"W surface – order EZAPP54 (54"W).)

**ACRYLIC PRIVACY PANELS**



EZAPP24

Model No.	Dimensions	List Price
EZAPP24	24"W x 3/16"D x 12 1/2"H	\$392
EZAPP30	30"W x 3/16"D x 12 1/2"H	\$401
EZAPP36	36"W x 3/16"D x 12 1/2"H	\$452
EZAPP42	42"W x 3/16"D x 12 1/2"H	\$482
EZAPP48	48"W x 3/16"D x 12 1/2"H	\$649
EZAPP54	54"W x 3/16"D x 12 1/2"H	\$651
EZAPP60	60"W x 3/16"D x 12 1/2"H	\$667
EZAPP66	66"W x 3/16"D x 12 1/2"H	\$678

**HOW TO SPECIFY:** Select Model No. (ie., EZ6024BF) | **OPTION 1** Select Modesty Panel if desired (Add Suffix) ML (Laminate Panel); MA (Acrylic Panel) | **OPTION 2** Select Laminate See page 8 for colors | **OPTION 3** Select Paint Finish for metal parts TKS (Tech Silver); BLCK (Black); WHIT (White)

# e5 LAYERED HEIGHT STORAGE CABINETS

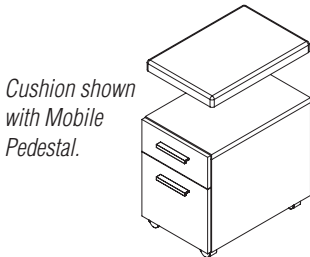
A variety of widths and internal configurations are available in the choice of 6 standard Thermally Fused Laminates.

- Storage cabinets are made of 1" TFL tops, bottoms and shelves and 3/4" TFL sides and finished backs.
- Cabinets are supported by 1 7/8" high painted steel legs with adjustable glides.
- Cabinets ship assembled; pulls and legs are field installed.
- Lateral drawers available in 30" and 36" wide cabinets only with lock as standard.
- Full extension drawer steel slides are standard. Hanging file frames are included.
- Seat Cushions are attached to cabinets with velcro strips that are included with the cushion.
- Legs available in White, Black or Silver.
- Sliding doors are made of 1/4" TFL.
- One drawer pull per drawer, in silver only.
- Matching PVC edgebanding.

For fabric choices on cushions refer to online upholstery fabric card (#FABCARD) for current standard options. Prices as quoted below. For graded-in fabrics, visit [www.themomgroup.com/mfg/208](http://www.themomgroup.com/mfg/208) for a complete textile offering and samples. COM Fabric Program available. See separate order form at the back of the price book for guidelines.

Model No.	Upper Level	Lower Level	Dimensions	Wt.	List Price
<b>EZ3023BF</b>	2 Box Drawers	1 Lateral File Drawer	30"W x 18"D x 21 3/4"H	136#	\$1185
<b>EZ3623BF</b>	2 Box Drawers	1 Lateral File Drawer	36"W x 18"D x 21 3/4"H	144#	\$1296
<b>EZ3023F</b>	Divided Opening	1 Lateral File Drawer	30"W x 18"D x 21 3/4"H	124#	\$953
<b>EZ3623F</b>	Divided Opening	1 Lateral File Drawer	36"W x 18"D x 21 3/4"H	136#	\$1034
<b>EZ3023B</b>	2 Box Drawers	Open	30"W x 18"D x 21 3/4"H	84#	\$904
<b>EZ3623B</b>	2 Box Drawers	Open	36"W x 18"D x 21 3/4"H	88#	\$979
<b>EZ4223B</b>	2 Box Drawers	Open	42"W x 18"D x 21 3/4"H	92#	\$1004
<b>EZ4823B</b>	2 Box Drawers	Open	48"W x 18"D x 21 3/4"H	96#	\$1029
<b>EZ3023</b>	Divided Open	Open	30"W x 18"D x 21 3/4"H	53#	\$656
<b>EZ3623</b>	Divided Open	Open	36"W x 18"D x 21 3/4"H	55#	\$730
<b>EZ4223</b>	Divided Open	Open	42"W x 18"D x 21 3/4"H	57#	\$746
<b>EZ4823</b>	Divided Open	Open	48"W x 18"D x 21 3/4"H	59#	\$771
<b>EZ3023S</b>	Divided Open	Sliding Doors	30"W x 18"D x 21 3/4"H	58#	\$804
<b>EZ3623S</b>	Divided Open	Sliding Doors	36"W x 18"D x 21 3/4"H	60#	\$883
<b>EZ4223S</b>	Divided Open	Sliding Doors	42"W x 18"D x 21 3/4"H	62#	\$904
<b>EZ4823S</b>	Divided Open	Sliding Doors	48"W x 18"D x 21 3/4"H	64#	\$929
<b>EZ3023BS</b>	2 Box Drawers	Sliding Doors	30"W x 18"D x 21 3/4"H	87#	\$1049
<b>EZ3623BS</b>	2 Box Drawers	Sliding Doors	36"W x 18"D x 21 3/4"H	91#	\$1120
<b>EZ4223BS</b>	2 Box Drawers	Sliding Doors	42"W x 18"D x 21 3/4"H	95#	\$1145
<b>EZ4823BS</b>	2 Box Drawers	Sliding Doors	48"W x 18"D x 21 3/4"H	99#	\$1170

## OPTIONAL FABRIC SEAT CUSHIONS



Model No.	Dimensions	Wt.	List Price
<b>EZSC24</b>	24"W x 18"D x 2"H	3#	\$265
<b>EZSC30</b>	30"W x 18"D x 2"H	3.5#	\$284
<b>EZSC36</b>	36"W x 18"D x 2"H	4#	\$312
<b>EZSC42</b>	42"W x 18"D x 2"H	4.5#	\$342
<b>EZSC48</b>	48"W x 18"D x 2"H	5#	\$361

\* Fabric options described above. Specify fabric.

## FABRIC GRADE SELECTIONS

Model No.	Fabric Grade	List Price	Model No.	Fabric Grade	List Price	Model No.	Fabric Grade	List Price	Model No.	Fabric Grade	List Price	Model No.	Fabric Grade	List Price
EZSC24	2	\$265	EZSC30	2	\$284	EZSC36	2	\$312	EZSC42	2	\$342	EZSC48	2	\$361
EZSC24F3	3	\$292	EZSC30F3	3	\$312	EZSC36F3	3	\$344	EZSC42F3	3	\$376	EZSC48F3	3	\$397
EZSC24F4	4	\$305	EZSC30F4	4	\$326	EZSC36F4	4	\$359	EZSC42F4	4	\$393	EZSC48F4	4	\$415
EZSC24F5	5	\$319	EZSC30F5	5	\$341	EZSC36F5	5	\$375	EZSC42F5	5	\$410	EZSC48F5	5	\$433
EZSC24F6	6	\$358	EZSC30F6	6	\$384	EZSC36F6	6	\$422	EZSC42F6	6	\$461	EZSC48F6	6	\$487
EZSC24F7	7	\$385	EZSC30F7	7	\$412	EZSC36F7	7	\$454	EZSC42F7	7	\$495	EZSC48F7	7	\$523
EZSC24F8	8	\$438	EZSC30F8	8	\$469	EZSC36F8	8	\$515	EZSC42F8	8	\$564	EZSC48F8	8	\$595
EZSC24F9	9	\$478	EZSC30F9	9	\$512	EZSC36F9	9	\$562	EZSC42F9	9	\$616	EZSC48F9	9	\$649
EZSC24F10	10	\$517	EZSC30F10	10	\$554	EZSC36F10	10	\$609	EZSC42F10	10	\$667	EZSC48F10	10	\$703

### HOW TO SPECIFY:

Select Model No. (ie., EZ3023BF)

**OPTION 1** Select Modesty Panel if desired (Add Suffix)  
ML (Laminate Panel), MA (Acrylic Panel)

**OPTION 2** Select Laminate  
See page 8 for colors

**OPTION 3** Select Paint Finish for metal parts  
TKSV (Tech Silver); BLCK (Black); WHIT (White)



Intertek

# e5 SURFACE HEIGHT STORAGE CABINETS

Cabinets are available in a variety of widths and internal configurations in a choice of 6 Thermally Fused Laminates.

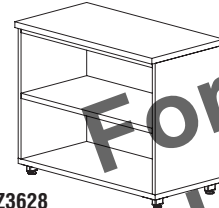
- Storage cabinets are made of 1 1/8" TFL tops, bottoms and shelves and 3/4" TFL sides and finished backs.
- Cabinets are supported by 1 7/8" high painted steel legs with adjustable glides.
- Cabinets ship assembled; pulls and legs are field installed.
- Legs available in White, Black or Silver.
- Surface Height Lateral Drawer Cabinets are available in (2) drawer or open top and (1) drawer bottom in 36" widths only.
- Lateral Drawers feature anti-tip drawer interlock system that allows only one drawer to open at a time.
- All files ship with keyed alike locks as standard; field installed replacement cores and keys can be ordered at an additional cost.
- Counter weight back included to meet ANSI/BIFMA stability requirements.
- Full extension drawer steel slides are standard. Hanging file frames are included.
- Single drawer pull per drawer and hinged door handles in silver only.
- 72" wide cabinets with hinged doors or open shelving consist of (2) 36"W cabinets with a common 1 1/8" top.
- Matching PVC edgebanding.



EZ3628FF



EZ3628F



EZ3628

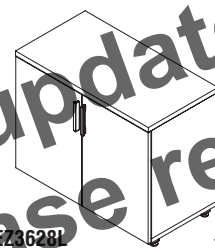
Model No.	Upper Level	Lower Level	Dimensions	Wt.	List Price
EZ3628FF	Lateral File Drawer	Lateral File Drawer	36"W x 18"D x 29 1/2"H	240#	\$1595
EZ3628F	Open	Lateral File Drawer	36"W x 18"D x 29 1/2"H	205#	\$1278
EZ3628	Open	Open w/o Doors (Bookcase)	36"W x 18"D x 29 1/2"H	85#	\$1008
EZ3628L	Laminate Hinged Doors	Laminate Hinged Doors	36"W x 18"D x 29 1/2"H	105#	\$1184

### Surface Height Storage Cabinets – Upper Divided Open/Bottom Open (Two 36" Cabinets w/Common 1 1/8" Top)

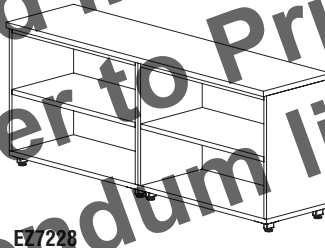
EZ7228	-	-	72"W x 18"D x 29 1/2"H	173#	\$1810
--------	---	---	------------------------	------	--------

### Surface Height Storage Cabinets – Hinged Laminate Doors (Two 36" Cabinets w/Common 1 1/8" Top)

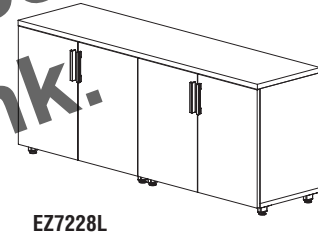
EZ7228L	-	-	72"W x 18"D x 29 1/2"H	197#	\$2201
---------	---	---	------------------------	------	--------



EZ3628L



EZ7228



EZ7228L

# e5 FREE STANDING STORAGE

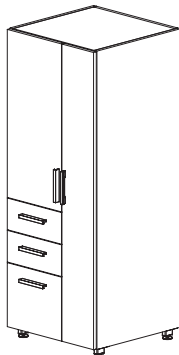


Intertek

- e5 Wardrobe Storage Towers come in 51"H and 62"H in the choice of 6 Thermally Fused Laminates.
- Wardrobes and Bookcases are made of 1" TFL top, bottom and shelves and 3/4" TFL sides with finished backs.
- Wardrobes include hang rod and adjustable shelves (2 shelves for 51" high and 3 shelves for 62" high) with Silver pulls on drawers and doors.
- Wardrobes and Bookcases ship assembled. Legs, pulls and shelves are field installed.
- Each wardrobe includes a BBF Pedestal with gang lock.
- Wardrobes and Bookcases are supported by 1 7/8" high painted steel legs with adjustable glides, available in White, Silver or Black.
- Bookcases are 36" wide in 3 heights with adjustable (on 1" increments) shelves except for fixed base shelf.
- Full extension slides.

## WARDROBE STORAGE TOWERS

EZWT51



EZWT62

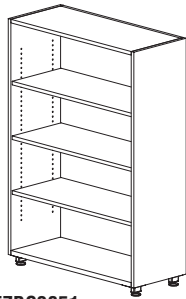
Model No.	Description	Dimensions	Wt.	List Price
EZWT51	2-Shelf	23 1/2"W x 23 1/2"D x 51"H	231#	\$2000
EZWT62	3-Shelf	23 1/2"W x 23 1/2"D x 62"H	268#	\$2066

## BOOKCASES

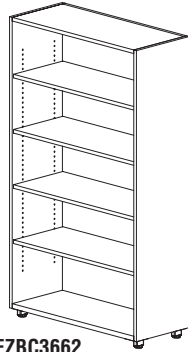
Model No.	Description	Dimensions	Wt.	List Price
<b>EZBC3629</b>	2-Shelf	36"W x 15"D x 29 1/2"H	75#	\$681
<b>EZBC3651</b>	4-Shelf	36"W x 15"D x 51"H	105#	\$997
<b>EZBC3662</b>	5-Shelf	36"W x 15"D x 62"H	116#	\$1067



**EZBC3629**



**EZBC3651**



**EZBC3662**



## e5 MOBILE PEDESTALS

Use a Mobile Pedestal for storage and as convenient guest seating.

- Available in the 6 TFL colors with matching edge banding.
- Pedestals are shipped assembled; pulls and casters are field installed.
- Drawer pull is available in Silver only.
- Supports letter and legal files.
- Mobile Pedestals are made of 1" Thermally Fused Laminate tops, bottoms, and shelves; and 3/4" TFL sides and finished backs.
- Pedestals come with one silver lock, keyed alike. Additional keys and cores are available for additional fee.
- Optional Seat Cushions are attached to cabinets with velcro strips that are included with the cushion.
- Hanging file frames are included for all file drawers.
- Drawer configuration is one box and one file drawer.
- Black casters (2 locking; 2 non-locking).
- Full extension slides.

For fabric choices on cushions refer to online upholstery fabric card (#FABCARD) for current standard options. Prices as quoted below. For graded-in fabrics, visit [www.themongroup.com/mfg/208](http://www.themongroup.com/mfg/208) for a complete textile offering and samples. COM Fabric Program available. See separate order form at the back of the price book for guidelines.

### MOBILE PEDESTAL



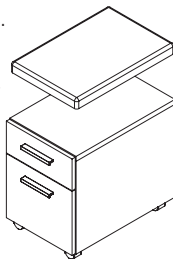
**EZPM24BF**

Model No.	Description	Dimensions	Wt.	List Price
<b>EZPM24BF</b>	Mobile Pedestal	15 1/2"W x 24"D x 23"H	82#	\$593

### OPTIONAL FABRIC SEAT CUSHIONS

\* Fabric options described above. Specify fabric.

Cushion shown with Mobile Pedestal.

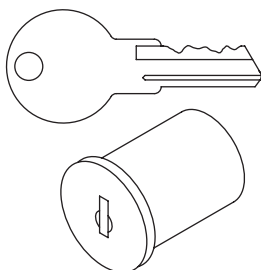


Model No.	Description	Dimensions	Wt.	List Price
<b>EZSC15</b>	Optional Seat Cushion	15 1/2"W x 23"D x 2"H	3#	\$265

#### FABRIC GRADE SELECTIONS

Model No.	Fabric Grade	List Price	Model No.	Fabric Grade	List Price
EZSC15	2	\$265	EZSC15F7	7	\$385
EZSC15F3	3	\$292	EZSC15F8	8	\$438
EZSC15F4	4	\$305	EZSC15F9	9	\$478
EZSC15F5	5	\$319	EZSC15F10	10	\$517
EZSC15F6	6	\$358			

### e5 REPLACEMENT LOCK CORES



**EZKT101**

- Allows pedestals and storage cabinets to be keyed uniquely.
- Master key available in brass only.
- Field replacement only.
- Replacement cores and keys in satin nickel finish.
- Must purchase a core removal tool to change lock cores.

Model No.	Description	List Price
<b>EZKT101</b>	Replacement Core with Keys	\$21
<b>EZKT102</b>	Replacement Core with Keys	\$21
<b>EZKT103</b>	Replacement Core with Keys	\$21
<b>EZKT104</b>	Replacement Core with Keys	\$21
<b>EZMK</b>	Master Key	\$21
<b>EZCRT</b>	Core Removal Tool	\$21

**HOW TO SPECIFY:**  
Select Model No. (i.e., EZBC3629)

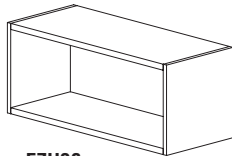
**OPTION 1** Select Modesty Panel if desired (Add Suffix)  
ML (Laminate Panel), MA (Acrylic Panel)

**OPTION 2** Select Laminate  
See page 8 for colors

**OPTION 3** Select Paint Finish for metal parts  
TKSV (Tech Silver); BLCK (Black); WHIT (White)

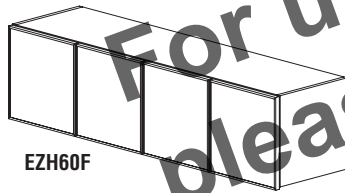
# e5 OVERHEAD STORAGE CABINETS

- Overhead Cabinets are made of Thermally Fused Laminate in one of six color choices.
- Overhead Storage Cabinets shipped assembled with doors attached.
- Overhead Storage Cabinets are made of 1" TFL top and bottom shelves, and 3/4" TFL sides and finished backs.
- Options include open fronts, hinged frosted glass doors or hinged laminate doors.
- 42", 48" and 72"W cabinets have a 12"W center opening without doors; 78"W cabinets have an 18"W center opening without doors.
- Finger pull bottoms on all doors.
- Overhead Cabinets can be wallmounted (bracket included), mounted on storage modules or on corner support.
- Storage units may also be mounted on the Technology Beltway or Wall for additional storage and privacy in Benching and Personal Workstation environments.
- Undersurface LED task lights with painted steel shroud (in White, Silver or Black) are available in 24", 36" or 48" widths. See page 36 for pricing information.
- Tack Panels and Dry Erase boards (see Accessories page 36) available to fit on the reverse size of the 24", 30" and 36" units in open plan settings.

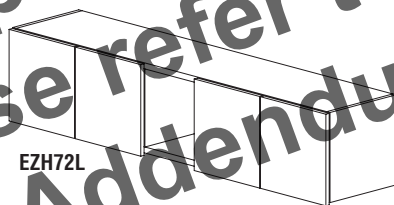


EZH36

Model No.	Description	Dimensions	Wt.	List Price
EZH24	Open/No Doors	24"W x 15"D x 15"H	39#	\$374
EZH30	Open/No Doors	30"W x 15"D x 15"H	47#	\$408
EZH36	Open/No Doors	36"W x 15"D x 15"H	78#	\$444
EZH30F	2 Frosted Glass Hinged Doors	30"W x 15 3/4"D x 15"H	55#	\$718
EZH36F	2 Frosted Glass Hinged Doors	36"W x 15 3/4"D x 15"H	90#	\$757
EZH42F	2 Frosted Glass Hinged Doors	42"W x 15 3/4"D x 15"H	122#	\$804
EZH48F	2 Frosted Glass Hinged Doors	48"W x 15 3/4"D x 15"H	142#	\$818
EZH60F	4 Frosted Glass Hinged Doors	60"W x 15 3/4"D x 15"H	62#	\$1285
EZH72F	4 Frosted Glass Hinged Doors	72"W x 15 3/4"D x 15"H	108#	\$1332
EZH78F	4 Frosted Glass Hinged Doors	78"W x 15 3/4"D x 15"H	126#	\$1351
EZH30L	2 Laminate Hinged Doors	30"W x 15 3/4"D x 15"H	60#	\$548
EZH36L	2 Laminate Hinged Doors	36"W x 15 3/4"D x 15"H	102#	\$605
EZH42L	2 Laminate Hinged Doors	42"W x 15 3/4"D x 15"H	134#	\$647
EZH48L	2 Laminate Hinged Doors	48"W x 15 3/4"D x 15"H	54#	\$661
EZH60L	4 Laminate Hinged Doors	60"W x 15 3/4"D x 15"H	70#	\$958
EZH72L	4 Laminate Hinged Doors	72"W x 15 3/4"D x 15"H	114#	\$1000
EZH78L	4 Laminate Hinged Doors	78"W x 15 3/4"D x 15"H	134#	\$1020

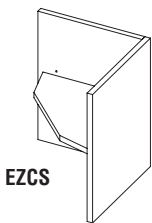


EZH60F



EZH72L

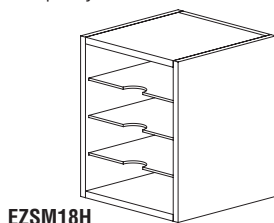
## OVERHEAD CABINET SUPPORT



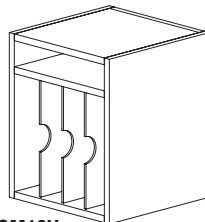
EZCS

Model No.	Description	Dimensions	Wt.	List Price
EZCS	Corner Support for Overhead Cabinet	15"W x 15"D x 18"H	18#	\$300
EZSM18H	Support Modules/Horizontal	15"W x 15"D x 18"H	21#	\$418
EZSM18V	Support Modules/Vertical	15"W x 15"D x 18"H	21#	\$418

\* Specify laminate.

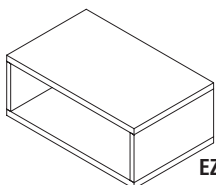


EZSM18H



EZSM18V

## OVERHEAD CENTER ACCESS MODULE



EZCA24

Model No.	Description	Dimensions	Wt.	List Price
EZCA24	Passthrough used w/42"H Peninsula Table	24"W x 15"D x 9"H	8#	\$273

\* Specify laminate.



# e5 POWER AND DATA MANAGEMENT

Management of power and data is where e5 excels. The patent pending Technology Beltways and Walls deliver seated access to power and data throughout any configuration. Power is routed from the source to worksurfaces via the Technology Beltway or Wall.

**How to Specify:** Please refer to pre-configured Typical on pgs. 10-17 for examples of e5 workstations.  
(Spaceplanning is available to assist in these decisions.)

- 1. Beltways or Walls:** Based on your configuration, choose either Technology Beltways or Technology Walls. Both provide equal power/data connectivity, but work with different types of worksurfaces.
- 2. Single- or 4-Circuit Power:** For configurations with only one (1) Beltway or Wall, you have the option of selecting single-circuit (plug-in) or 4-circuit (hardwired) power. Two (2) or more Beltways or Walls in a configuration require 4-circuit power for adequate power capacity. (See specifications below for power system details.)
- 3. Starters:** Choose the Beltway or Wall 'Starter' unit based on your power needs and size of work surfaces. Starters include Beltway or Wall, infeed cable (72"L plug-in for single-circuit or 144"L hardwired for 4-circuit), dual-sided power blocks with 4-outlets per side, and data plate cut-outs. (See charts below for specifics.)
- 4. Adders:** Choose the Beltway or Wall 'Adder' unit(s) based on your overall configuration. Adders include Beltway or Wall, dual-sided power blocks with 4-outlets per side, 34"L connecting cable, and data plate cut-outs. (See charts below for specifics.)

## POWER SYSTEM SPECIFICATIONS

- Power kits can be reconfigured at any time with no tools required.
- Power kits are UL Recognized and CSA Certified.
- Single-Circuit kits are rated for 20 amps. 4-Circuit, 8-Wire kits are rated for 80 amps.
- It is the customer's responsibility to ensure that the use of electrical systems, including the number of receptacles on a given circuit and connection to the building's power source, be in compliance with all electrical codes. Refer to the chart below for typical power usage by common office equipment.

TYPICAL POWER USAGE BY COMMON OFFICE EQUIPMENT			
<b>Computers</b> . . . . . AMPS	<b>Copiers</b> . . . . . AMPS	<b>FAX Machines</b> . . . . . AMPS	
Desktop . . . . . 3-5	Desktop . . . . . 15	Inkjet/Thermal . . . . . 0.75	
Laptop . . . . . 3	Console . . . . . 20	Plain Paper . . . . . 6	
<b>Monitors</b> . . . . . AMPS	<b>Printers</b> . . . . . AMPS	<b>Task Lights</b> . . . . . AMPS	
13" . . . . . 2	Inkjet . . . . . 0.5	36" T8 Fluorescent . . . . . 0.2/Bulb	
17" . . . . . 3	Laser or LED . . . . . 8	48" T8 Fluorescent . . . . . 0.3/Bulb	
21" . . . . . 3	Group Laser or LED . . . . . 15		

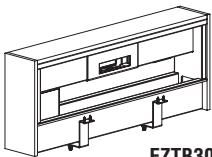
## TECHNOLOGY BELTWAY

- Technology Beltways include steel framework (specify paint color), laminate cladding on tops and sides (specify TFL, see page 8), all necessary hardware for surface connections, and power elements. (See above.)
- Laminate cladding is attached to the tops and sides using a patent-pending connector bracket that requires no tools.

Model No.	Dimensions	List Price
-----------	------------	------------

### Beltway Single-Circuit Starter Kits with One 72" Plug-In Infeed Cable, One Dual-Sided Power Block & Two Data Plate Cut-outs

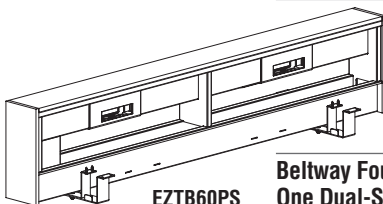
<b>EZTB24PS</b>	24"W x 5 1/4"D x 12 3/8"H	\$1211
<b>EZTB30PS</b>	30"W x 5 1/4"D x 12 3/8"H	\$1258
<b>EZTB36PS</b>	36"W x 5 1/4"D x 12 3/8"H	\$1293
<b>EZTB42PS</b>	42"W x 5 1/4"D x 12 3/8"H	\$1317



EZTB30PS

### Beltway Single-Circuit Starter Kits with One 72" Plug-In Infeed Cable, Two Dual-Sided Power Blocks & Four Data Plate Cut-outs

<b>EZTB48PS</b>	48"W x 5 1/4"D x 12 3/8"H	\$1540
<b>EZTB60PS</b>	60"W x 5 1/4"D x 12 3/8"H	\$1625
<b>EZTB72PS</b>	72"W x 5 1/4"D x 12 3/8"H	\$1716



EZTB60PS

### Beltway Four-Circuit Starter Kits with One 144" Hardwire Infeed Cable, One Dual-Sided Power Block & Two Data Plate Cut-outs

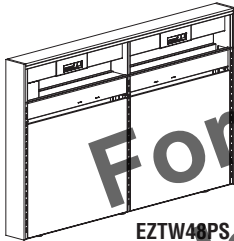
<b>EZTB24HS</b>	24"W x 5 1/4"D x 12 3/8"H	\$1237
<b>EZTB30HS</b>	30"W x 5 1/4"D x 12 3/8"H	\$1284
<b>EZTB36HS</b>	36"W x 5 1/4"D x 12 3/8"H	\$1319
<b>EZTB42HS</b>	42"W x 5 1/4"D x 12 3/8"H	\$1343

**TECHNOLOGY BELTWAY (CONTINUED)**

Model No.	Dimensions	List Price
<b>Beltway Four-Circuit Starter Kits with One 144" Hardwire Infeed Cable, Two Dual-Sided Power Blocks &amp; Four Data Plate Cut-outs</b>		
EZTB48HS	48"W x 5 1/4"D x 12 3/8"H	\$1566
EZTB60HS	60"W x 5 1/4"D x 12 3/8"H	\$1651
EZTB72HS	72"W x 5 1/4"D x 12 3/8"H	\$1742
<b>Beltway Four-Circuit Adder Kits with One Dual-Sided Power Block, Two Data Plate Cut-outs &amp; One 34" Connecting Cable</b>		
EZTB24HA	24"W x 5 1/4"D x 12 3/8"H	\$1070
EZTB30HA	30"W x 5 1/4"D x 12 3/8"H	\$1125
EZTB36HA	36"W x 5 1/4"D x 12 3/8"H	\$1169
EZTB42HA	42"W x 5 1/4"D x 12 3/8"H	\$1202
<b>Beltway Four-Circuit Adder Kits with Two Dual-Sided Power Blocks, Four Data Plate Cut-outs &amp; One 34" Connecting Cable</b>		
EZTB48HA	48"W x 5 1/4"D x 12 3/8"H	\$1399
EZTB60HA	60"W x 5 1/4"D x 12 3/8"H	\$1492
EZTB72HA	72"W x 5 1/4"D x 12 3/8"H	\$1592

**TECHNOLOGY WALL**

- Technology Walls include steel framework (*specify paint color*), laminate cladding on tops, sides, and front panels (*specify TFL, see page 8*), all necessary hardware for surface connections, and power elements. (*see above*)
- Technology Wall is NOT freestanding; cantilevered worksurfaces are required on BOTH sides of Wall for stability.
- Laminate cladding is attached to the tops and sides using a patent-pending connector bracket that requires no tools.
- Laminate front panels are attached to steel framework using heavy-duty Velcro. They are easily removed to hide or access cables between panels.



EZTW48PS

Model No.	Dimensions	List Price
<b>Technology Wall Single Circuit Starter Kits with One 72" Plug-In Infeed Cable, Two Dual-Sided Power Blocks &amp; Four Data Plate Cut-outs</b>		
EZTW48PS	48"W x 5 1/4"D x 36 3/4"H	\$2344
EZTW60PS	60"W x 5 1/4"D x 36 3/4"H	\$2518
EZTW72PS	72"W x 5 1/4"D x 36 3/4"H	\$2700
<b>Technology Wall Four-Circuit Starter Kits with One 144" Hardwire Infeed Cable, Two Dual-Sided Power Blocks &amp; Four Data Plate Cut-outs</b>		
EZTW48HS	48"W x 5 1/4"D x 36 3/4"H	\$2370
EZTW60HS	60"W x 5 1/4"D x 36 3/4"H	\$2544
EZTW72HS	72"W x 5 1/4"D x 36 3/4"H	\$2726
<b>Technology Wall Four-Circuit Adder Kits with Two Dual-Sided Power Blocks, Four Data Plate Cut-outs &amp; One 34" Connecting Cable</b>		
EZTW48HA	48"W x 5 1/4"D x 36 3/4"H	\$2370
EZTW60HA	60"W x 5 1/4"D x 36 3/4"H	\$2385
EZTW72HA	72"W x 5 1/4"D x 36 3/4"H	\$2576

**OPTIONAL TECHNOLOGY WALL FOOT KIT**

- Replace existing technology wall levelers and install feet (2 per wall section), hardware included.
- Available in White, Silver or Black finish.
- Standard with 2 leveling glides per foot.
- To be used for freestanding or single-sided applications.

Model No.	Description	Dimensions	List Price
EZPWFT	Pair of feet for freestanding tech wall or...	15"L x 3"W x 1 1/2"H	No M!

**CONNECTING CABLE UNDER STORAGE UNITS**

- A Connecting Cable is required to connect multiple Technology Beltways and Walls when storage units are placed between stations. Refer to Typical #15 on page 13 for an example.

Model No.	Dimensions	List Price
EZEC206	206"L	\$381

**DATA TELECOM PLATE KITS**

- Telecom Kits consist of one Telecom Plate and one Riser.
- Telecom Risers raise the data and phone Telecom Plates to a more convenient user connection height.
- Telecom Plates and Risers in Black only.
- Ten commonly used telecom connections are offered to complete the technology requirements of e5 workstations.
- Common Telecom Definitions:

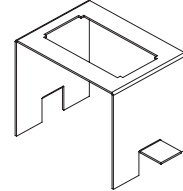
**HDMI** (High Definition Multi-Media Interface) – Used to stream video on devices such as televisions or Blu-Ray DVD players.

**15 pin HD VGA F/F** (High Definition Video Graphics Array) – Used to stream video usually found on a laptop or projector.

**Mini Stereo Inline Audio Connection** (also called a 1/8" phone jack or headphone jack) – Runs audio from computers and mp3 players.



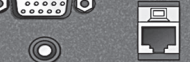







**USB** (Universal Serial Bus) – Connects computer peripherals such as mouse or keyboard to a computer.

- **Additional options are available upon request.**
- Data port openings are located in the bottom of the beltway trough.



**Data telecom plate kits must be ordered separately.**

**They are NOT included in the price of the Technology Beltway or Technology Wall.**

	Model No.	Description	List Price
	EZETP1K	Telecom Plate with RJ11Cat3 Phone and RJ45 CAT6 Data with Riser	\$140
	EZETP2K	Telecom Plate with 2 RJ45 Cat6 Data with Riser	\$178
	EZETP3K	Telecom Plate with 3 RJ45 Cat6 Data with Riser	\$251
	EZETP4K	Telecom Plate with RJ45 Cat6 Data, Mini Stereo Inline, and 15 Pin HD VGA F/F with Riser	\$281
	EZETP5K	Telecom Plate with 2 RJ45 Cat6 Data and 15 in HD VGA F/F with Riser	\$283
	EZETP6K	Telecom Plate with 1 HDMI F/F, 1 Mini Stereo Inline and 15 Pin, HD VGA F/F with Riser	\$367
	EZETP7K	Telecom Plate with USB Inline with Riser	\$88
	EZETP8K	Telecom Plate with USB Inline and 15 Pin HD VGA F/F with Riser	\$214
	EZETP9K	Telecom Plate with 2 - 15 Pin HD VGA F/F with Riser	\$284
	EZETP10K	Telecom Plate with USB Inline, 15 Pin HD VGA F/F, and Mini Stereo Inline with Riser	\$264

For updated information,  
please refer to Price List  
Addendum link.

**HOW TO SPECIFY:**

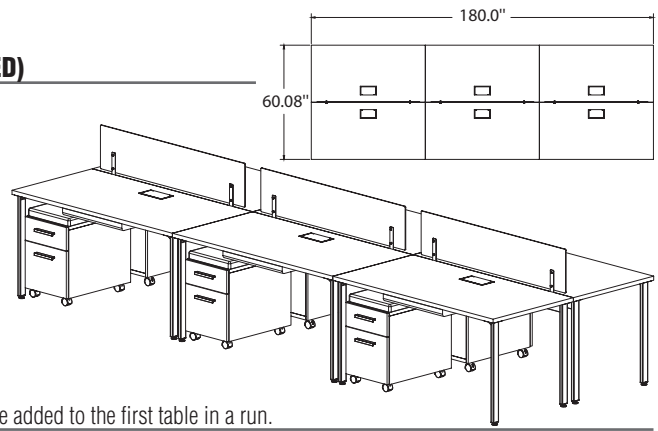
Choose desired Connector Model No. (ie., EZETP1K)

**NO COLOR OPTIONS**

Black only for Telecom Plate and Riser included in kit.

## SURFACE-MOUNTED POWER CONFIGURATIONS (DAISY-CHAINED)

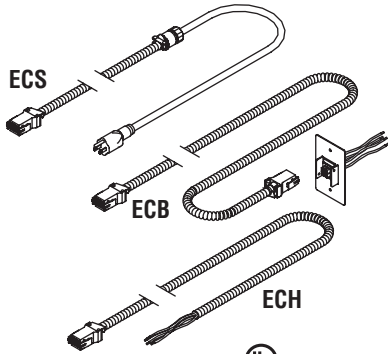
- Used on e5 worksurfaces without Technology Beltways or Walls. Ideal for single-sided configurations.
- UL Listed Components.
- Non-sequential connections.
- Convenient kits provide easy specifying.
- See Power Infeed Option section for limitations of number of linked tables.
- It is the customer's responsibility to ensure that the use of electrical systems, including the number of receptacles on a given circuit and connection to a building power source, be in compliance with all electrical codes.



### POWER INFEEED OPTIONS

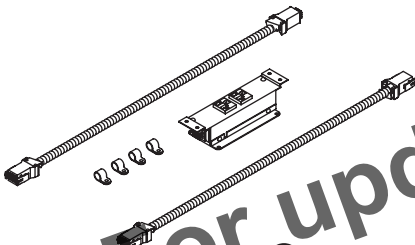


**NOTE:** Power Infeed Option must be added to the first table in a run.



Model No.	Description	List Price
ECS	72" Corded Starter Limit 10 tables linked	\$257
ECB	Quick Disconnect block & 72" cable with black wrap Limit 20 tables linked	\$245
ECH	Hardwire Infeed, 72" w/black wrap Limit 20 tables linked	\$166

### UNDERSURFACE KITS

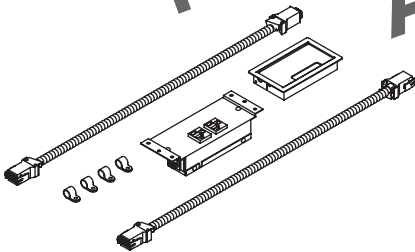


Model No.	Description	List Price
EC48UB	48" Table Kit – Block consisting of 2 power receptacles, 2 interconnecting table cables, 4 cable clamps	\$392
EC60UB	60" Table Kit – Block consisting of 2 power receptacles, 2 interconnecting table cables, 4 cable clamps	\$392
EC72UB	72" Table Kit – Block consisting of 2 power receptacles, 2 interconnecting table cables, 4 cable clamps	\$392

### SURFACE MOUNT KITS

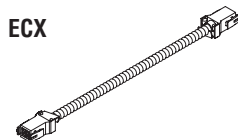


- Surface grommets are centered and located 4" in from rear edge of table.
- Grommet holes are field installed – 5 1/4" x 3" cutout in worksurface required.



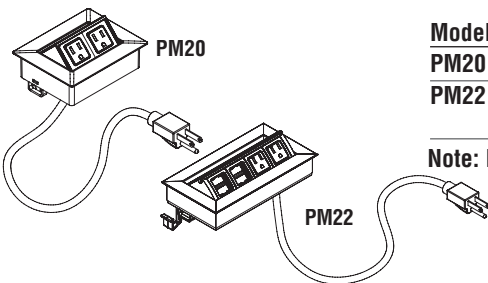
Model No.	Description	List Price
EC48FB	48" Table Kit – Black – Black Flush Grommet, base with 2 power receptacles, 2 interconnecting cables, 4 cable clamps	\$521
EC48FS	48" Table Kit – Silver – Silver Flush Grommet, base with 2 power receptacles, 2 interconnecting cables, 4 cable clamps	\$521
EC60FB	60" Table Kit – Black – Black Flush Grommet, base with 2 power receptacles, 2 interconnecting cables, 4 cable clamps	\$521
EC60FS	60" Table Kit – Silver – Silver Flush Grommet, base with 2 power receptacles, 2 interconnecting cables, 4 cable clamps	\$521
EC72FB	72" Table Kit – Black – Black Flush Grommet, base with 2 power receptacles, 2 interconnecting cables, 4 cable clamps	\$521
EC72FS	72" Table Kit – Silver – Silver Flush Grommet, base with 2 power receptacles, 2 interconnecting cables, 4 cable clamps	\$521

### EXTENSION OPTION



Model No.	Description	List Price
ECX	12" Extension Cable	\$89

### SURFACE-MOUNTED POWER OPTIONS (INDIVIDUAL PLUG-IN)



Model No.	Description	Wt.	List Price
PM20	Power Module w/2 Power Outlets (Black)	2#	\$293
PM22	Power and Data Surface Module with 2 Power and 2 Data Outlets (Silver Only)	4#	\$446

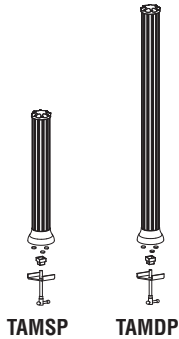
**Note:** Field cut and installed only.

# e5 TECHNOLOGY SUPPORT ACCESSORIES

e5 offers a variety of technology support options.

## MONITOR SUPPORTS & ARMS

- Manual adjustment posts and arms available in extruded aluminum.
- Aluminum posts available in 15" and 29 1/2"H.
- Each arm has an independent 180° lockout feature.
- Enclosed cable management for clutter-free desk.
- EZMAK converts existing single monitor arm to a dual monitor arm.
- Both monitor supports are compatible with VESA 75mm and VESA 100mm compliant monitors.
- The EZMA1 and EZMA2 present a slim profile when in the folded position – perfect for users with limited worksurface.
- TAM2 will support up to 8 monitors.
- New single articulating monitor arm now available.
- Monitor quick release.
- Gas spring technology provides smooth, effortless adjustment.



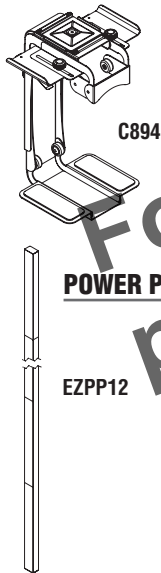
Model No.	Description	Wt.	List Price
TAMSP	Single Post – 15"H x 3" Diameter	7.25#	\$125
TAMDP	Dual Post – 29 1/2"H x 3" Diameter	5.5#	\$187
TAM2	Single Monitor Arm – Dual 18 1/2" Extension	4.5#	\$165
EZMA1	Single Monitor Arm with Grommet Mount Base – Gas Spring		\$426
EZMA2	Dual Monitor Arm with Grommet Mount Base – Gas Spring		\$603
EZMAK	Conversion Kit Single to Dual Arm		\$320

**Note:** Grommet Mount/field installed by installation team.

\* No finish specification required.



## PC SUPPORT



Model No.	Description	Wt.	List Price
C894	CPU Holder CPU width plus 3 1/2" x 16"D x CPU height plus 4 1/2"	20#	\$304
19503TA	Combination keyboard/mouse platform 19"W x 8 1/4"D, 9" Dia. mouse platform	15#	\$545

*Available in Black Only.*

## POWER POLE

EZPP12

- 12' pole (10' section with 2' extension) can be field cut to desired length. Drill access holes as needed.
- Pole has side mount and top mount options available.
- Accepts up to 1 power conduit and 16 data cables.
- Ceiling infeed. Install per local code.
- Anodized Aluminum finish.

Model No.	Description	Wt.	List Price
EZPP12	12' Power Pole. 1 3/4"D x 2 3/4"W x 12'H Single Channel	10#	\$595

## GROMMETS



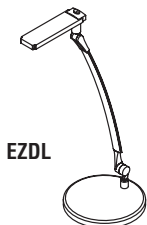
REALS1000

Model No.	Description	Wt.	List Price
REALS100	Recommended for Conference tables and Desk tops (Silver only) 2 5/8"D	1#	\$24

**Note:** Field cut and installed only.

# e5 LIGHTING

## LED TASK LIGHTING – DESKTOP



EZDL

- Reduces energy costs and fixed costs associated with expensive overhead bulbs.
- Reduces the need for overhead lighting and eye strain.
- Single arm with 21" reach.
- Integrated cord management.
- 180° rotation at light source.
- Energy efficient 6W LED lamp.
- 50,000-hour lamp life.
- 6 lb. desktop base.
- CRI 80: 4100K color temperature.

Model No.	Description	Wt.	List Price
EZDL	LED Single-Arm Desk Lamp	8#	\$339



**LED TASK LIGHTING – UNDERSURFACE**

- 3 length options: 24", 36", 48".
- Includes both magnetic and wood (screws) hardware.
- Light bar rotates 90°; 45° each way.
- LED lamp life: 50,000 hours
- Painted Steel shroud conceals light fixture; attaches to undersurface of cabinet. Hardware included.

- Touch sensitive technology for on and off controls.
- Brushed Silver finish.
- Light angle 180°.
- CRI 85: 3500K color temperature.
- Specify paint finish – White, Tech Silver or Black.



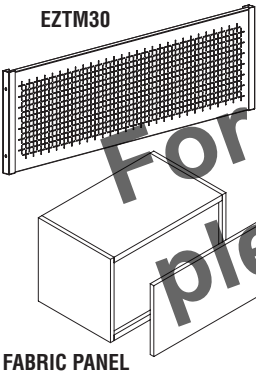
Model No.	Description	Dimensions	Wt.	List Price
<b>EZCL24</b>	LED Under-Cabinet Light – for 24" Shelf	22.4"L x 1"	7#	\$300
<b>EZCL36</b>	LED Under-Cabinet Light – for 36" Shelf	28.4"L x 1"	7#	\$417
<b>EZCL48</b>	LED Under-Cabinet Light – for 48" Shelf	34.45"L x 1"	7#	\$544

**e5 TACKBOARDS AND DRY ERASE BOARDS**



- TAK/MAG board is made of a perforated painted steel front and back sandwiching a cork center.
- Includes painted steel brackets; board and brackets available in White, Silver or Black.
- TAK/MAG board can be used with magnets or push pins.
- TAK/MAG board currently designed to be used only between two Overhead Support Modules, two Corner Supports, or a combination of one of each.
- Fabric tack boards and dry erase boards sized to fit back of 24", 30" and 36" above surface storage modules.

Specify fabric choices on tack boards. Refer to online upholstery fabric card (#FABCARD) for current standard options. Prices as quoted below. For graded-in fabrics, visit [www.themomgroup.com/mfg/208](http://www.themomgroup.com/mfg/208) for a complete textile offering and samples. COM Fabric Program available. See separate order form at the back of the price book for guidelines.



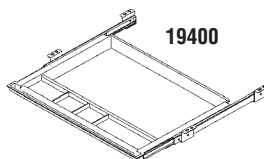
Model No.	Description	List Price
<b>EZTM30</b>	TAK/MAG – Perforated Steel with Cork Center – 29 1/2"W x 5/8"D x 9"H**	\$520
<b>EZTM42</b>	TAK/MAG – Perforated Steel with Cork Center – 41 1/2"W x 5/8"D x 9"H**	\$560
<b>EZTM48</b>	TAK/MAG – Perforated Steel with Cork Center – 47 1/2"W x 5/8"D x 9"H**	\$605
<b>EZTKB24</b>	22" Fabric Tack Board; Velcro Attachment*	\$121
<b>EZTKB30</b>	28" Fabric Tack Board; Velcro Attachment*	\$138
<b>EZTKB36</b>	34" Fabric Tack Board; Velcro Attachment*	\$153
<b>EZDEB24</b>	Dry Erase White Board; Velcro Attachment*	\$143
<b>EZDEB30</b>	Dry Erase White Board; Velcro Attachment*	\$158
<b>EZDEB36</b>	Dry Erase White Board; Velcro Attachment*	\$170

\* Sized to fit on the back of 24", 30" & 36" Overhead Modules.  
 \*\* Specify paint finish for TAK/MAG – White, Tech Silver or Black.

**FABRIC GRADE SELECTIONS**

Model No.	Fabric Grade	List Price	Model No.	Fabric Grade	List Price	Model No.	Fabric Grade	List Price
EZTKB24	2	\$121	EZTKB30	2	\$138	EZTKB36	2	\$153
EZTKB24F3	3	\$134	EZTKB30F3	3	\$152	EZTKB36F3	3	\$168
EZTKB24F4	4	\$139	EZTKB30F4	4	\$159	EZTKB36F4	4	\$176
EZTKB24F5	5	\$145	EZTKB30F5	5	\$165	EZTKB36F5	5	\$183
EZTKB24F6	6	\$164	EZTKB30F6	6	\$186	EZTKB36F6	6	\$206
EZTKB24F7	7	\$176	EZTKB30F7	7	\$200	EZTKB36F7	7	\$228
EZTKB24F8	8	\$200	EZTKB30F8	8	\$228	EZTKB36F8	8	\$252
EZTKB24F9	9	\$218	EZTKB30F9	9	\$249	EZTKB36F9	9	\$275
EZTKB24F10	10	\$236	EZTKB30F10	10	\$269	EZTKB36F10	10	\$298

**e5 PENCIL TRAY**



Model No.	Description	Dimensions	Wt.	List Price
<b>19400</b>	Pencil Drawer – Black only	21"W x 16"D x 2"H	4#	\$87

Smart Design, Stylish Look, Affordable Price...CSII provides a consistently stylish look with its radiused overhead doors providing high-end style at mid-market pricing. All pedestals and legs are non-handed making specifications and installation amazingly simple with desks featuring a full 30" of filing and/or storage space.

**Desks:** 29"H Desk height. Legs and modesty panels made from C.R.S. Optional storage pedestals incorporated into base to reduce redundant components. Modesty panel full height on desks – 2/3 height on credenza. Modesty panel can be mounted flush or with 1 1/2" inset. All desks come standard with leveling glides and grommets.

**Worksurfaces:** 1 1/8" High pressure laminate with PVC T-mold and 3mm edging. Grommets are 1 3/4" diameter.

**Peds:** Full extension ball bearing slides on all drawers, with adjustable leveling glides, pencil tray and box file divider. Locks standard and allow for lock cores to be changed. Choose Box/Box/File or File/File style. Peds support both legal and letter width files.

**Overhead:** All steel cabinet body. Contoured door for aesthetics. Doors travel up and over top of unit using ball bearing slides. Standard locks are concealed under cabinet body and are core-removable to create keyed-alike suites. 13 7/8" deep shelf is 20" above desk. Options include: Soft close, tackboard, and task light.

**Privacy Panels:** Hollow core privacy panels available in tackable fabric. Can be stacked or ganged to create many unique combinations. Panel heights can be combined for three levels of privacy, either 18", 27" or 36"H.

**Meets or exceeds all ANSI/BIFMA standards.**

**All grommets, overhead door and stackable fabric panel trim will match the worksurface edging color (Black, Taupe, Warm Gray & Ice Gray).**

**Laminate Storage Units:** To soften the look and feel of a steel workstation while maintaining the strength and integrity of the system, you can now add e5 laminate storage cabinets including laminate pedestal drawer fronts to the existing steel drawers of your CSII configuration. Storage options include a variety of storage cabinets and opening choices, wardrobes and overhead units. **(See pages 27-30.)** Casegoods are available in six Thermally Fused Laminates with matching HPL top choices. See chart below:

THERMALLY FUSED LAMINATE MATCHING HPL COLOR CHART			
Mayline TFL Color Name	HPL Color Name	HPL Manufacturer	HPL Number
Summer Suede	Tea Party in Boston	Pionite	PFA42
Cocoa	Alive in Memphis	Pionite	PFA45
Biltmore Cherry	Biltmore Cherry	WilsonArt	7924-60
White	Designer White	WilsonArt	D354-60
Walnut	Columbian Walnut	WilsonArt	7943-38
Raven	Raven	Nevamar	S6033T

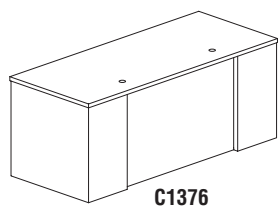
**NOTE: Custom Laminate Upcharges do not apply for these HPLs.**

*CSII work surfaces are available in high-pressure laminates to match e5's six thermally-fused laminate colors, with matching edgebanding, at no additional charge. To order, add "EZ" suffix to the CSII model number, i.e. C1336EZ, and indicate the HPL color choice from the chart above. e5 product lead times will apply.*

### 30" DEEP RECTANGULAR DESK

- Pedestal depth is 30".
- Choice of File/File (F/F) and/or Box/Box/File (B/B/F).
- See page 45 for interior leg panel information.

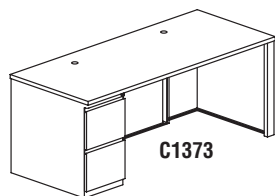
- Full height modesty panel included.
- Two grommets in surface, standard.
- **Work surfaces available in the six e5 colors; see box above for details.**



C1376

Model No.	Dimensions	Wt.	List Price	No Modesty Panel (+N) List Price
C1336	48"W x 30"D x 29"H, no ped	114#	\$689	\$635
C1346	54"W x 30"D x 29"H, no ped	119#	\$714	\$659
C1356	60"W x 30"D x 29"H, no ped	124#	\$743	\$682
C1366	66"W x 30"D x 29"H, no ped	132#	\$783	\$717
C1376	72"W x 30"D x 29"H, no ped	142#	\$797	\$729

### • 30" Deep Rectangular with one pedestal.

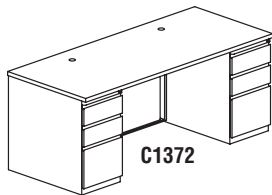


C1373

Model No.	Dimensions	Wt.	List Price	No Modesty Panel (+N) List Price
C1331	48"W x 30"D x 29"H, 1 ped	157#	\$1148	\$1093
C1341	54"W x 30"D x 29"H, 1 ped	162#	\$1162	\$1108
C1351	60"W x 30"D x 29"H, 1 ped	167#	\$1202	\$1140
C1361	66"W x 30"D x 29"H, 1 ped	175#	\$1238	\$1171
C1371	72"W x 30"D x 29"H, 1 ped	185#	\$1253	\$1185
C1333	48"W x 30"D x 29"H, 1 ped	157#	\$1148	\$1093
C1343	54"W x 30"D x 29"H, 1 ped	162#	\$1162	\$1108
C1353	60"W x 30"D x 29"H, 1 ped	167#	\$1202	\$1140
C1363	66"W x 30"D x 29"H, 1 ped	175#	\$1238	\$1171
C1373	72"W x 30"D x 29"H, 1 ped	185#	\$1253	\$1185

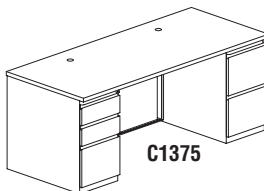
## CSII

## • 30" Deep Rectangular with two pedestals.



C1372

Model No.	Dimensions	Wt.	List Price	No Modesty Panel (+N) List Price
C1342	54"W x 30"D x 29"H, 2 B/B/F peds	175#	\$1646	\$1592
C1352	60"W x 30"D x 29"H, 2 B/B/F peds	180#	\$1685	\$1623
C1362	66"W x 30"D x 29"H, 2 B/B/F peds	190#	\$1722	\$1654
C1372	72"W x 30"D x 29"H, 2 B/B/F peds	200#	\$1736	\$1668
C1345	54"W x 30"D x 29"H, 1 B/B/F ped, 1 F/F ped	175#	\$1646	\$1592
C1355	60"W x 30"D x 29"H, 1 B/B/F ped, 1 F/F ped	180#	\$1685	\$1623
C1365	66"W x 30"D x 29"H, 1 B/B/F ped, 1 F/F ped	190#	\$1722	\$1654
C1375	72"W x 30"D x 29"H, 1 B/B/F ped, 1 F/F ped	200#	\$1736	\$1668



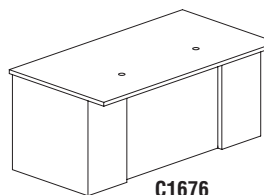
C1375

C1344	54"W x 30"D x 29"H, 2 F/F peds	175#	\$1646	\$1592
C1354	60"W x 30"D x 29"H, 2 F/F peds	180#	\$1685	\$1623
C1364	66"W x 30"D x 29"H, 2 F/F peds	190#	\$1722	\$1654
C1374	72"W x 30"D x 29"H, 2 F/F peds	200#	\$1736	\$1668

## 36" DEEP RECTANGULAR DESK

- Pedestal depth is 30".
- 6" conference overhang.
- See page 45 for interior leg panel information.

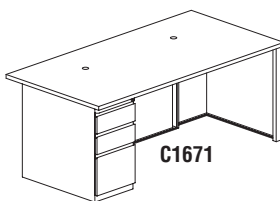
- Full height modesty panel included.
- Two grommets in surface, standard.
- Work surfaces available in the six e5 colors; see box on page 37 for details.



C1676

Model No.	Dimensions	Wt.	List Price	No Modesty Panel (+N) List Price
C1656	60"W x 36"D x 29"H, no ped	139#	\$811	\$750
C1666	66"W x 36"D x 29"H, no ped	147#	\$835	\$768
C1676	72"W x 36"D x 29"H, no ped	157#	\$860	\$791

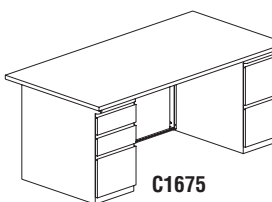
## • 36" Deep Rectangular with one pedestal.



C1671

Model No.	Dimensions	Wt.	List Price	No Modesty Panel (+N) List Price
C1651	60"W x 36"D x 29"H, 1 B/B/F ped	180#	\$1222	\$1162
C1661	66"W x 36"D x 29"H, 1 B/B/F ped	190#	\$1249	\$1183
C1671	72"W x 36"D x 29"H, 1 B/B/F ped	200#	\$1294	\$1228
C1653	60"W x 36"D x 29"H, 1 F/F ped	180#	\$1222	\$1162
C1663	66"W x 36"D x 29"H, 1 F/F ped	190#	\$1249	\$1183
C1673	72"W x 36"D x 29"H, 1 F/F ped	200#	\$1294	\$1228

## • 36" Deep Rectangular with two pedestals.

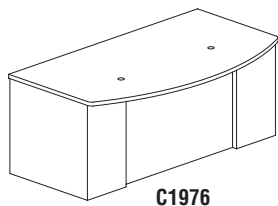


C1675

Model No.	Dimensions	Wt.	List Price	No Modesty Panel (+N) List Price
C1652	60"W x 36"D x 29"H, 2 B/B/F peds	187#	\$1728	\$1668
C1662	66"W x 36"D x 29"H, 2 B/B/F peds	202#	\$1755	\$1687
C1672	72"W x 36"D x 29"H, 2 B/B/F peds	217#	\$1801	\$1733
C1655	60"W x 36"D x 29"H, 1 B/B/F ped, 1 F/F ped	187#	\$1728	\$1668
C1665	66"W x 36"D x 29"H, 1 B/B/F ped, 1 F/F ped	202#	\$1755	\$1687
C1675	72"W x 36"D x 29"H, 1 B/B/F ped, 1 F/F ped	217#	\$1801	\$1733
C1654	60"W x 36"D x 29"H, 2 F/F peds	187#	\$1728	\$1668
C1664	66"W x 36"D x 29"H, 2 F/F peds	202#	\$1755	\$1687
C1674	72"W x 36"D x 29"H, 2 F/F peds	217#	\$1801	\$1733

**39" DEEP BOW FRONT DESK**

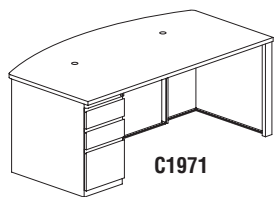
- Pedestal depth is 30".
- Flush Modesty = 9" overhang, Recessed Modesty = 10 1/4" overhang.
- See page 45 for interior leg panel information.
- Full height modesty panel included.
- Two grommets in surface, standard.
- **Work surfaces available in the six e5 colors; see box on page 37 for details.**



C1976

Model No.	Dimensions	Wt.	List Price	No Modesty Panel (+N) List Price
C1956	60"W x 39"D x 29"H, no ped	140#	\$863	\$803
C1966	66"W x 39"D x 29"H, no ped	150#	\$916	\$851
C1976	72"W x 39"D x 29"H, no ped	160#	\$944	\$878

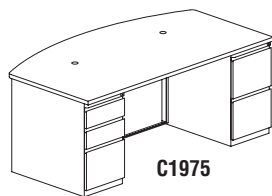
• **39" Bow Front Desk with one pedestal.**



C1971

Model No.	Dimensions	Wt.	List Price	No Modesty Panel (+N) List Price
C1951	60"W x 39"D x 29"H, 1 ped	190#	\$1339	\$1279
C1961	66"W x 39"D x 29"H, 1 ped	205#	\$1391	\$1324
C1971	72"W x 39"D x 29"H, 1 ped	220#	\$1416	\$1348
C1953	60"W x 39"D x 29"H, 1 ped	190#	\$1339	\$1279
C1963	66"W x 39"D x 29"H, 1 ped	205#	\$1391	\$1324
C1973	72"W x 39"D x 29"H, 1 ped	220#	\$1416	\$1348

• **39" Bow Front Desk with two pedestals.**

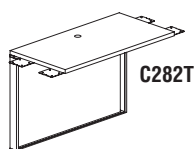


C1975

Model No.	Dimensions	Wt.	List Price	No Modesty Panel (+N) List Price
C1952	60"W x 39"D x 29"H, 2 B/B/F peds	225#	\$1844	\$1783
C1962	66"W x 39"D x 29"H, 2 B/B/F peds	235#	\$1895	\$1828
C1972	72"W x 39"D x 29"H, 2 B/B/F peds	245#	\$1921	\$1854
C1955	60"W x 39"D x 29"H, 1 B/B/F ped, 1 F/F ped	225#	\$1844	\$1783
C1965	66"W x 39"D x 29"H, 1 B/B/F ped, 1 F/F ped	235#	\$1895	\$1828
C1975	72"W x 39"D x 29"H, 1 B/B/F ped, 1 F/F ped	245#	\$1921	\$1854
C1954	60"W x 39"D x 29"H, 2 F/F peds	225#	\$1844	\$1783
C1964	66"W x 39"D x 29"H, 2 F/F peds	235#	\$1895	\$1828
C1974	72"W x 39"D x 29"H, 2 F/F peds	245#	\$1921	\$1854

**BRIDGES**

- Not freestanding, requires support from adjoining worksurfaces.
- Available as straight or contoured bridge.
- **Work surfaces available in the six e5 colors; see box on page 37 for details.**
- Available with full, 2/3 height, or no modesty panel.
- One grommet in surface, standard.



C282T

• **Straight Bridge**

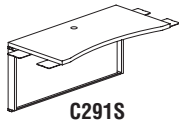
Model No.	Dimensions	Wt.	List Price
C281T	36"W x 24"D x 29"H, Full Modesty Panel	50#	\$348
C282T	42"W x 24"D x 29"H, Full Modesty Panel	57#	\$367
C283T	48"W x 24"D x 29"H, Full Modesty Panel	65#	\$386
C281S	36"W x 24"D x 29"H, 2/3 Modesty Panel	45#	\$341
C282S	42"W x 24"D x 29"H, 2/3 Modesty Panel	53#	\$359
C283S	48"W x 24"D x 29"H, 2/3 Modesty Panel	60#	\$379

## • Straight Bridge continued

Model No.	Dimensions	Wt.	List Price
<b>C281N</b>	36"W x 24"D x 29"H, No Modesty Panel	40#	\$322
<b>C282N</b>	42"W x 24"D x 29"H, No Modesty Panel	45#	\$334
<b>C283N</b>	48"W x 24"D x 29"H, No Modesty Panel	50#	\$353

## • Contour Bridge

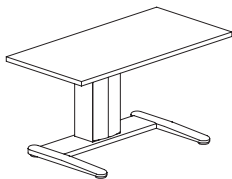
Model No.	Dimensions	Wt.	List Price
<b>C291T</b>	36"W x 24"D x 29"H, Full Modesty Panel	50#	\$359
<b>C292T</b>	42"W x 24"D x 29"H, Full Modesty Panel	57#	\$380
<b>C293T</b>	48"W x 24"D x 29"H, Full Modesty Panel	65#	\$401
<b>C291S</b>	36"W x 24"D x 29"H, 2/3 Modesty Panel	45#	\$354
<b>C292S</b>	42"W x 24"D x 29"H, 2/3 Modesty Panel	53#	\$375
<b>C293S</b>	48"W x 24"D x 29"H, 2/3 Modesty Panel	60#	\$395
<b>C291N</b>	36"W x 24"D x 29"H, No Modesty Panel	40#	\$334
<b>C292N</b>	42"W x 24"D x 29"H, No Modesty Panel	45#	\$350
<b>C293N</b>	48"W x 24"D x 29"H, No Modesty Panel	50#	\$368



C291S

**HEIGHT ADJUSTABLE BRIDGE**

- Provides sit to stand adjustability at bridge location.
- Travel Range: 16" of vertical adjustment from 26" to 42". Full travel time is 18 seconds.
- **Work surfaces available in the six e5 colors; see box on page 37 for details.**
- Drive System: 110V, 60 H input, 24V DC motor. 150 lb. capacity. Draws 1.2 amps under full load.
- No modesty panel or grommet.



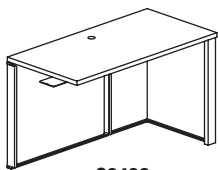
Model No.	Dimensions	Wt.	List Price
<b>C36A</b>	36"W x 24"D	115#	\$1949
<b>C42A</b>	42"W x 24"D	119#	\$1965
<b>C48A</b>	48"W x 24"D	125#	\$2042

**RETURNS**

- Used to create "L" return.
- Available in 24"D or 30"D depths.
- Returns are non-handed.
- See page 45 for interior leg panel information.
- Full height modesty panel included.
- One grommet in surface, standard.
- Must attach to a freestanding desk unit.
- **Work surfaces available in the six e5 colors; see box on page 37 for details.**

## • 24" Deep Returns

Model No.	Dimensions	Wt.	List Price	No Modesty Panel (+N) List Price
<b>C2486</b>	24"W x 24"D x 29"H, no ped	65#	\$442	\$396
<b>C2406</b>	30"W x 24"D x 29"H, no ped	70#	\$464	\$418
<b>C2416</b>	36"W x 24"D x 29"H, no ped	75#	\$495	\$449
<b>C2426</b>	42"W x 24"D x 29"H, no ped	82#	\$528	\$474
<b>C2436</b>	48"W x 24"D x 29"H, no ped	89#	\$565	\$512
<b>C2446</b>	54"W x 24"D x 29"H, no ped	96#	\$650	\$596
<b>C2456</b>	60"W x 24"D x 29"H, no ped	103#	\$678	\$606
<b>C2466</b>	66"W x 24"D x 29"H, no ped	110#	\$726	\$652
<b>C2476</b>	72"W x 24"D x 29"H, no ped	117#	\$756	\$682

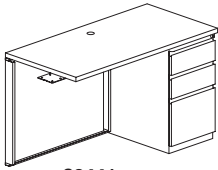


C2436



• 24" Deep with one pedestal.

No Modesty Panel  
(+N) List Price

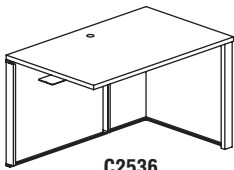


C2441

Model No.	Dimensions	Wt.	List Price	No Modesty Panel (+N) List Price
C2481	24"W x 24"D x 29"H, 1 B/B/F ped	94#	\$879	\$832
C2401	30"W x 24"D x 29"H, 1 B/B/F ped	99#	\$908	\$861
C2411	36"W x 24"D x 29"H, 1 B/B/F ped	104#	\$938	\$890
C2421	42"W x 24"D x 29"H, 1 B/B/F ped	111#	\$977	\$924
C2431	48"W x 24"D x 29"H, 1 B/B/F ped	118#	\$1016	\$961
C2441	54"W x 24"D x 29"H, 1 B/B/F ped	125#	\$1068	\$1013
C2451	60"W x 24"D x 29"H, 1 B/B/F ped	132#	\$1123	\$1049
C2461	66"W x 24"D x 29"H, 1 B/B/F ped	139#	\$1162	\$1088
C2471	72"W x 24"D x 29"H, 1 B/B/F ped	146#	\$1199	\$1124
C2483	24"W x 24"D x 29"H, 1 F/F ped	94#	\$879	\$832
C2403	30"W x 24"D x 29"H, 1 F/F ped	99#	\$908	\$861
C2413	36"W x 24"D x 29"H, 1 F/F ped	104#	\$938	\$890
C2423	42"W x 24"D x 29"H, 1 F/F ped	111#	\$977	\$924
C2433	48"W x 24"D x 29"H, 1 F/F ped	118#	\$1016	\$961
C2443	54"W x 24"D x 29"H, 1 F/F ped	125#	\$1068	\$1013
C2453	60"W x 24"D x 29"H, 1 F/F ped	132#	\$1123	\$1049
C2463	66"W x 24"D x 29"H, 1 F/F ped	139#	\$1162	\$1088
C2473	72"W x 24"D x 29"H, 1 F/F ped	146#	\$1199	\$1124

• 30" Deep Returns

No Modesty Panel  
(+N) List Price

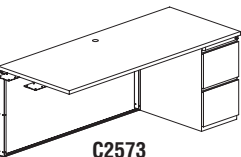


C2536

Model No.	Dimensions	Wt.	List Price	No Modesty Panel (+N) List Price
C2586	24"W x 30"D x 29"H, no ped	84#	\$486	\$439
C2506	30"W x 30"D x 29"H, no ped	89#	\$517	\$471
C2516	36"W x 30"D x 29"H, no ped	94#	\$556	\$509
C2526	42"W x 30"D x 29"H, no ped	101#	\$579	\$526
C2536	48"W x 30"D x 29"H, no ped	109#	\$619	\$564
C2546	54"W x 30"D x 29"H, no ped	119#	\$714	\$659
C2556	60"W x 30"D x 29"H, no ped	123#	\$740	\$667
C2566	66"W x 30"D x 29"H, no ped	133#	\$773	\$700
C2576	72"W x 30"D x 29"H, no ped	141#	\$849	\$773

• 30" Deep with one pedestal.

No Modesty Panel  
(+N) List Price

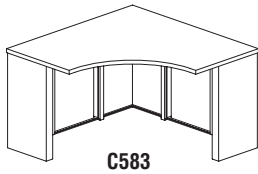


C2573

Model No.	Dimensions	Wt.	List Price	No Modesty Panel (+N) List Price
C2581	24"W x 30"D x 29"H, 1 B/B/F ped	123#	\$934	\$887
C2501	30"W x 30"D x 29"H, 1 B/B/F ped	128#	\$966	\$918
C2511	36"W x 30"D x 29"H, 1 B/B/F ped	133#	\$995	\$948
C2521	42"W x 30"D x 29"H, 1 B/B/F ped	140#	\$1037	\$982
C2531	48"W x 30"D x 29"H, 1 B/B/F ped	147#	\$1072	\$1019
C2541	54"W x 30"D x 29"H, 1 B/B/F ped	153#	\$1157	\$1104
C2551	60"W x 30"D x 29"H, 1 B/B/F ped	162#	\$1194	\$1121
C2561	66"W x 30"D x 29"H, 1 B/B/F ped	170#	\$1238	\$1165
C2571	72"W x 30"D x 29"H, 1 B/B/F ped	180#	\$1316	\$1241
C2583	24"W x 30"D x 29"H, 1 F/F ped	123#	\$934	\$887
C2503	30"W x 30"D x 29"H, 1 F/F ped	128#	\$966	\$918
C2513	36"W x 30"D x 29"H, 1 F/F ped	133#	\$995	\$948
C2523	42"W x 30"D x 29"H, 1 F/F ped	140#	\$1037	\$982
C2533	48"W x 30"D x 29"H, 1 F/F ped	147#	\$1072	\$1019
C2543	54"W x 30"D x 29"H, 1 F/F ped	153#	\$1157	\$1104
C2553	60"W x 30"D x 29"H, 1 F/F ped	162#	\$1194	\$1121
C2563	66"W x 30"D x 29"H, 1 F/F ped	170#	\$1238	\$1165
C2573	72"W x 30"D x 29"H, 1 F/F ped	180#	\$1316	\$1241

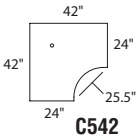
## STAND ALONE CORNER SURFACE

- Corner units can be used as a freestanding desk or as part of a larger configuration.
- One grommet in surface, standard.
- **Work surfaces available in the six e5 colors; see box on page 37 for details.**
- Full height modesty panels included.
- See page 45 for interior leg panel information.

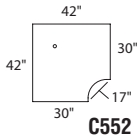


C583

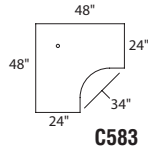
Model No.	Dimensions	Wt.	List Price	No Modesty Panel (+N) List Price
<b>C542</b>	24"D x 42"W x 42"W x 24"D x 29"H	124#	\$1084	\$1016
<b>C552</b>	30"D x 42"W x 42"W x 30"D x 29"H	129#	\$1107	\$1040
<b>C583</b>	24"D x 48"W x 48"W x 24"D x 29"H	131#	\$1165	\$1016
<b>C593</b>	30"D x 48"W x 48"W x 30"D x 29"H	143#	\$1187	\$1107



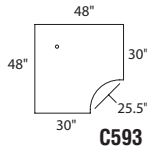
C542



C552



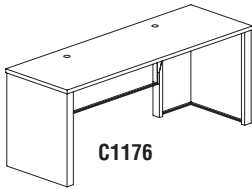
C583



C593

## 24" DEEP CREDENZA

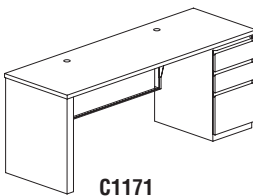
- Pedestal depth is 24".
- Two grommets in surface, standard.
- See page 45 for interior leg panel information.
- **Work surfaces available in the six e5 colors; see box on page 37 for details.**
- 2/3 height modesty panel included.
- F/F and/or B/B/F available.
- Pedestals and legs are non-handed to allow installation on either left or right.



C1176

Model No.	Dimensions	Wt.	List Price	No Modesty Panel (+N) List Price
<b>C1136</b>	48"W x 24"D x 29"H, no ped	94#	\$673	\$633
<b>C1146</b>	54"W x 24"D x 29"H, no ped	101#	\$714	\$673
<b>C1156</b>	60"W x 24"D x 29"H, no ped	108#	\$726	\$678
<b>C1166</b>	66"W x 24"D x 29"H, no ped	115#	\$753	\$705
<b>C1176</b>	72"W x 24"D x 29"H, no ped	122#	\$781	\$733

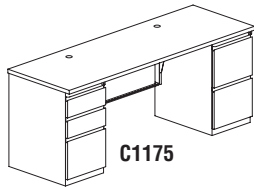
- Credenza with one pedestal.



C1171

Model No.	Dimensions	Wt.	List Price	No Modesty Panel (+N) List Price
<b>C1131</b>	48"W x 24"D x 29"H, 1 B/B/F ped	130#	\$1117	\$1075
<b>C1141</b>	54"W x 24"D x 29"H, 1 B/B/F ped	137#	\$1136	\$1096
<b>C1151</b>	60"W x 24"D x 29"H, 1 B/B/F ped	144#	\$1162	\$1115
<b>C1161</b>	66"W x 24"D x 29"H, 1 B/B/F ped	151#	\$1198	\$1151
<b>C1171</b>	72"W x 24"D x 29"H, 1 B/B/F ped	158#	\$1233	\$1186
<b>C1133</b>	48"W x 24"D x 29"H, 1 F/F ped	130#	\$1117	\$1075
<b>C1143</b>	54"W x 24"D x 29"H, 1 F/F ped	137#	\$1136	\$1096
<b>C1153</b>	60"W x 24"D x 29"H, 1 F/F ped	144#	\$1162	\$1115
<b>C1163</b>	66"W x 24"D x 29"H, 1 F/F ped	151#	\$1198	\$1151
<b>C1173</b>	72"W x 24"D x 29"H, 1 F/F ped	160#	\$1233	\$1186

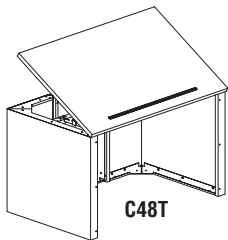
• Credenza with two pedestals.



Model No.	Dimensions	Wt.	List Price	No Modesty Panel (+N) List Price
<b>C1142</b>	54"W x 24"D x 29"H, 2 <b>B/B/F</b> peds	178#	\$1606	\$1565
<b>C1152</b>	60"W x 24"D x 29"H, 2 <b>B/B/F</b> peds	185#	\$1632	\$1590
<b>C1162</b>	66"W x 24"D x 29"H, 2 <b>B/B/F</b> peds	192#	\$1667	\$1613
<b>C1172</b>	72"W x 24"D x 29"H, 2 <b>B/B/F</b> peds	204#	\$1702	\$1649
<b>C1145</b>	54"W x 24"D x 29"H, 1 <b>B/B/F</b> ped, 1 <b>F/F</b> ped	178#	\$1606	\$1565
<b>C1155</b>	60"W x 24"D x 29"H, 1 <b>B/B/F</b> ped, 1 <b>F/F</b> ped	185#	\$1632	\$1590
<b>C1165</b>	66"W x 24"D x 29"H, 1 <b>B/B/F</b> ped, 1 <b>F/F</b> ped	192#	\$1667	\$1613
<b>C1175</b>	72"W x 24"D x 29"H, 1 <b>B/B/F</b> ped, 1 <b>F/F</b> ped	204#	\$1702	\$1649
<b>C1144</b>	54"W x 24"D x 29"H, 2 <b>F/F</b> peds	178#	\$1606	\$1565
<b>C1154</b>	60"W x 24"D x 29"H, 2 <b>F/F</b> peds	185#	\$1632	\$1590
<b>C1164</b>	66"W x 24"D x 29"H, 2 <b>F/F</b> peds	187#	\$1667	\$1613
<b>C1174</b>	72"W x 24"D x 29"H, 2 <b>F/F</b> peds	199#	\$1702	\$1649

**TILT TOP TABLES**

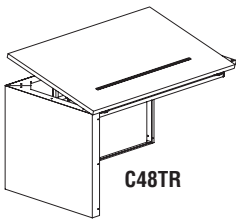
- Pencil stop standard in worksurface.
- Top may be positioned from 0° to 60° in 19 preset positions.
- **Work surfaces available in the six e5 colors; see box on page 37 for details.**
- No grommet.
- Interior leg panel cannot be used due to frame of tilt-top mechanism.



Model No.	Dimensions	Wt.	List Price
<b>C36T</b>	36"W x 30"D x 29"H*	130#	\$1184
<b>C48T</b>	48"W x 30"D x 29"H*	150#	\$1282

\* When mounting straightedges to worksurface, order next size smaller straight edge – use 10104 Hardware Bag.

- Return style to be used when attaching to desks.

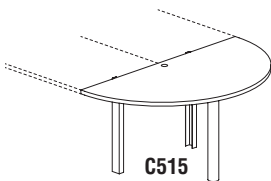


Model No.	Dimensions	Wt.	List Price
<b>C36TR</b>	36"W x 30"D x 29"H*	110#	\$1042
<b>C48TR</b>	48"W x 30"D x 29"H*	130#	\$1139

\* When mounting straightedges to worksurface, order next size smaller straight edge – use 10104 Hardware Bag.

**END TEAM TABLES**

- Half round, team tables connect to two CSII desks that are placed back to back.
- Cannot be used when integrated pedestal is on desk end as it is secured to desk leg.
- One grommet in surface, standard.
- **Work surfaces available in the six e5 colors; see box on page 37 for details.**

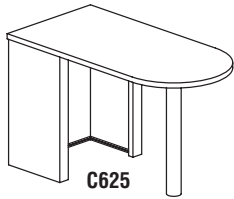


Model No.	Dimensions	Wt.	List Price
<b>C523</b>	25"W x 48"D x 29"H	85#	\$641
<b>C515</b>	31"W x 60"D x 29"H	78#	\$669

## CSII

## PENINSULA FREESTANDING TABLE

- Peninsula tables provide additional workspace for conferencing and shared work applications.
- Attaches to right or left side of bridges or returns.
- **Work surfaces available in the six e5 colors; see box on page 37 for details.**
- No grommet.
- Interior leg panel cannot be used due to unique "U"-shaped leg.

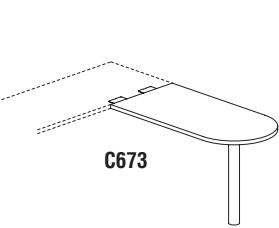


## • 24" Deep Peninsula Tables

Model No.	Dimensions	Wt.	List Price
<b>C625</b>	60"W x 24"D x 29"H	56#	\$1171
<b>C626</b>	66"W x 24"D x 29"H	101#	\$1390
<b>C627</b>	72"W x 24"D x 29"H	106#	\$1423

## PENINSULA POST STYLE

- Not freestanding, requires adjacent table.
- Cannot be used when integrated pedestal is on desk end.
- No grommet.
- **Work surfaces available in the six e5 colors; see box on page 37 for details.**



## • 24" Deep Peninsula Tables

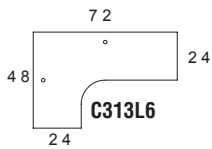
Model No.	Dimensions	Wt.	List Price
<b>C673</b>	48"W x 24"D x 29"H	55#	\$638

## • 30" Deep Peninsula Tables

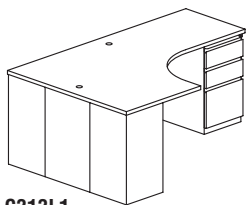
Model No.	Dimensions	Wt.	List Price
<b>C685</b>	60"W x 30"D x 29"H	75#	\$697
<b>C687</b>	72"W x 30"D x 29"H	85#	\$749

## J TABLES

- Combines free standing worktable and corner unit into one unit.
- "J" Tables can be used free standing or as part of a larger configuration.
- Can be used in left/right configurations to create multi person work areas.
- Allows for a very compact work area.
- Right (R) and left (L) hand versions available (**left hand version is shown.**)
- **Work surfaces available in the six e5 colors; see box on page 37 for details.**
- Modesty panels included, 48" return side has full modesty panel, 72" side has 2/3 height modesty panel.
- Two grommets in surface, standard.
- See page 45 for interior leg panel information.

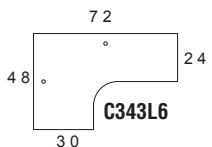


Model No.	Dimensions	Wt.	List Price	No Modesty Panel (+N) List Price
<b>C313L6</b>	72"W x 48"D x 29"H x 24"D return left, no ped	175#	\$1262	\$1181
<b>C313R6</b>	72"W x 48"D x 29"H x 24"D return right, no ped	175#	\$1262	\$1181
<b>C313L1</b>	72"W x 48"D x 29"H x 24"D return left w/ one <b>B/B/F</b> ped	214#	\$1605	\$1524
<b>C313R1</b>	72"W x 48"D x 29"H x 24"D return right w/ one <b>B/B/F</b> ped	214#	\$1605	\$1524
<b>C313L3</b>	72"W x 48"D x 29"H x 24"D return left w/ one <b>F/F</b> ped	214#	\$1605	\$1524
<b>C313R3</b>	72"W x 48"D x 29"H x 24"D return right w/ one <b>F/F</b> ped	214#	\$1605	\$1524



C313L1

Model No.	Dimensions	Wt.	List Price	No Modesty Panel (+N) List Price
<b>C343L6</b>	72"W x 48"D x 29"H x 30"D return left, no ped	175#	\$1262	\$1181
<b>C343R6</b>	72"W x 48"D x 29"H x 30"D return right, no ped	175#	\$1262	\$1181
<b>C343L1</b>	72"W x 48"D x 29"H x 30"D return left w/ one <b>B/B/F</b> ped	224#	\$1605	\$1524
<b>C343R1</b>	72"W x 48"D x 29"H x 30"D return right w/ one <b>B/B/F</b> ped	224#	\$1605	\$1524
<b>C343L3</b>	72"W x 48"D x 29"H x 30"D return left w/ one <b>F/F</b> ped	224#	\$1605	\$1524
<b>C343R3</b>	72"W x 48"D x 29"H x 30"D return right w/ one <b>F/F</b> ped	224#	\$1605	\$1524

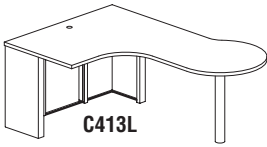


C343L6

**CSII**

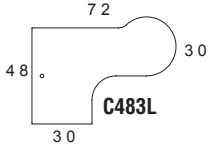
**P TABLES**

- The "P" Table combines a reference surface with a peninsula table.
- Right (R) and left (L) hand versions available
- One grommet in surface, standard.
- Allows for a very compact work area
- Full height modesty panel included.
- **Work surfaces available in the six e5 colors; see box on page 37 for details.**



**• 24"D Return with conference end.**

Model No.	Dimensions	Wt.	List Price	No Modesty Panel (+N) List Price
<b>C413L</b>	72"W x 48"D x 29"H x 24"D return left conference	145#	\$1276	\$1195
<b>C413R</b>	72"W x 48"D x 29"H x 24"D return right conference	145#	\$1276	\$1195

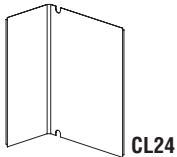


**• 30"D Return with conference end.**

Model No.	Dimensions	Wt.	List Price	No Modesty Panel (+N) List Price
<b>C483L</b>	72"W x 48"D x 29"H x 30"D return left conference	152#	\$1276	\$1181
<b>C483R</b>	72"W x 48"D x 29"H x 30"D return right conference	152#	\$1276	\$1181

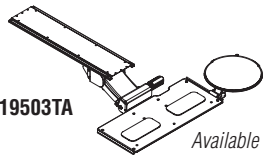
**INTERIOR LEG PANEL**

- Attaches to leg interior for a clean appearance.
- Provides space to conceal cable management from surface to floor.
- Easy Assembly – Adheres with magnetic tape.



Model No.	Dimensions	Wt.	List Price
<b>CL15</b>	11 1/2"W x 11 1/2"D x 27 1/4"H	9#	\$117
<b>CL24</b>	11 1/2"W x 20 1/4"D x 27 1/4"H	11#	\$147
<b>CL30</b>	11 1/2"W x 26 1/2"D x 27 1/4"H	13#	\$155

**KEYBOARD SUPPORTS**

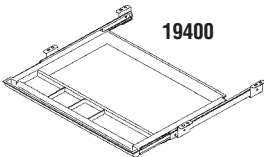


Model No.	Description	Wt.	List Price
<b>19503TA</b>	Combination keyboard/mouse platform 19"W x 8 1/4"D, 9"Dia. mouse platform	15#	\$545

Available in Black Only.

**PENCIL DRAWER**

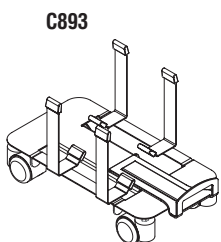
- Attaches to underside of worksurface.
- Full extension slides.



Model No.	Dimensions	Wt.	List Price
<b>19400</b>	21"W x 16"D x 2"H	4#	\$87

Available in Black Only.

**CPU DOLLY**



- Automatically adjusts to support CPUs up to 9" wide.
- Adjustable base handle accommodates CPUs of any depth.
- Rolls easily on four 2" double casters to facilitate access to cables, ports, and drives.

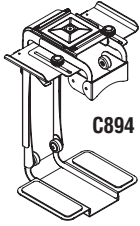
Model No.	Dimensions	Wt.	List Price
<b>C893</b>	8 1/2"W x 15"D x CPU height plus 3 3/4"	10#	\$217

Available in Black Only.



## CSII

## CPU HOLDER



- Easily adjusts to fit CPUs 3"-9 1/2" wide and 12"-22" tall.
- Slides easily and smoothly on nylon glides on 16" track.
- Designed to easily support CPUs weighing up to 70 lbs.
- Rotates a full 360° for complete access to cables and ports.

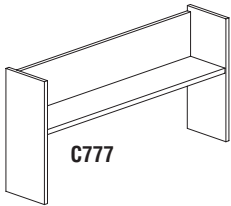
Model No.	Dimensions	Wt.	List Price
<b>C894</b>	CPU width plus 3 1/2" x 16"D x CPU height plus 4 1/2"	20#	\$304

Available in Black Only.

## STEEL STORAGE UNITS

## OPEN SHELF OVERHEAD

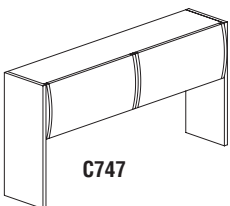
- All steel cabinet body.
- Accepts optional fabric tack panel and task light.
- 13 7/8" deep shelf is 20" above desk.



Model No.	Dimensions	Wt.	List Price
<b>C7721</b>	42"W x 14"D x 36"H	55#	\$503
<b>C773</b>	48"W x 14"D x 36"H	58#	\$530
<b>C775</b>	60"W x 14"D x 36"H	65#	\$571
<b>C777</b>	72"W x 14"D x 36"H	75#	\$627

## FLIPPER DOOR OVERHEAD

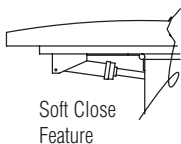
- All steel cabinet body.
- 13 7/8" deep shelf is 20" above desk.
- Locks standard. Concealed under cabinet body and core removable.
- Accepts optional fabric tack panel and task light.
- Contoured door for aesthetics.
- **Door color matches accenting trim components (grommets, worksurface T-mold and privacy panel kits). Available in Black, Taupe, Warm Gray and Ice Gray.**



Model No.	Dimensions	Wt.	List Price
<b>C7421</b>	42"W x 15"D x 36"H	80#	\$748
<b>C743</b>	48"W x 15"D x 36"H	85#	\$805
<b>C745</b>	60"W x 15"D x 36"H	103#	\$993
<b>C746</b>	66"W x 15"D x 36"H	108#	\$1047
<b>C747</b>	72"W x 15"D x 36"H	115#	\$1106

## FLIPPER DOOR OVERHEAD WITH SOFT CLOSE FEATURE

- Sold as a complete overhead unit.
- Same specifications as Overhead Flipper Door.
- Enhanced safety feature ensures controlled movement with pneumatic cylinder.



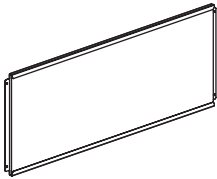
Soft Close  
Feature

Model No.	Dimensions	Wt.	List Price
<b>C7621</b>	42"W x 15"D x 36"H	80#	\$921
<b>C763</b>	48"W x 15"D x 36"H	85#	\$1136
<b>C765</b>	60"W x 15"D x 36"H	103#	\$1326
<b>C766</b>	66"W x 15"D x 36"H	108#	\$1380
<b>C767</b>	72"W x 15"D x 36"H	115#	\$1438

**CSII**

**FABRIC TACK PANEL FOR OVERHEAD**

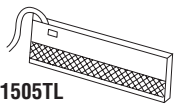
- Tack panel attaches to overhead flipper door unit and overhead shelf.
- Steel frame for mounting included.
- Choose from our Corporate fabrics found on page 50 or special order any Guilford of Maine fabric.
- Optional tack panel provides space at top and bottom for cabling.



Model No.	Dimensions		Wt.	List Price
<b>C8621</b>	39"W x 1/2"D x 17"H	(For use with 42" Overhead)	18#	\$269
<b>C863</b>	45"W x 1/2"D x 17"H	(For use with 48" Overhead)	21#	\$273
<b>C865</b>	57"W x 1/2"D x 17"H	(For use with 60" Overhead)	23#	\$301
<b>C866</b>	63"W x 1/2"D x 17"H	(For use with 66" Overhead)	25#	\$316
<b>C867</b>	69"W x 1/2"D x 17"H	(For use with 72" Overhead)	27#	\$343

**TASK LIGHTING**

- Task lighting attaches to overhead flipper door unit and overhead shelf.
- Uses energy efficient 15W T8 bulb.
- Includes the diffuser lens.



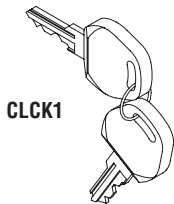
Model No.	Dimensions	Wt.	List Price
<b>1505TL</b>	20"W x 8"D x 2"H	7#	\$300

*Available in Black Only.*

**KEYED ALIKE LOCK TUMBLERS**

Please read carefully to facilitate proper ordering or call customer service at 1-800-822-8037 for assistance.

CSII pedestals ship with keyed alike locks already installed. CSII overheads ship with randomly numbered paired locks (per overhead). To key alike suites of product order the appropriate quantity of like numbered core kits for each workstation. Removable Core Kits include one core, two keys, one core removal tool and instructions.



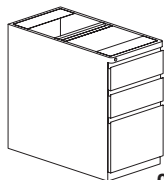
Model No.	Description	Wt.	List Price
<b>CLCK1</b>	Removable Lock Core Kit	1#	\$34
<b>CLCK2</b>	Removable Lock Core Kit	1#	\$34
<b>CLCK3</b>	Removable Lock Core Kit	1#	\$34
<b>CLCK4</b>	Removable Lock Core Kit	1#	\$34
<b>CLCK5</b>	Removable Lock Core Kit	1#	\$34
<b>C88MKEYH</b>	Master Key	1#	\$16

*Available in Silver Only.*

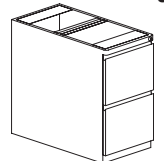
**Note:** Tumblers are specific to CSII peds, CSII overheads, lateral files and "P" style peds.

**PEDESTALS**

- Full width "J" style pulls.
- Locks standard.
- Supports letter and legal file widths.
- Unique recessed base design allows casters to be added without adding additional height to the pedestal.
- If not integrating pedestal as a leg, must order pedestal as follows – 24"D surface use 17 1/2"D pedestal, 30", 36" and 39"D surfaces use 24"D pedestal.
- Thermally Fused Laminate drawer head conversion kits are now available so pedestal fronts can match laminate storage cabinets.
- Full extension ball bearing slides.
- Leveling glides have 5/8" of adjustability.



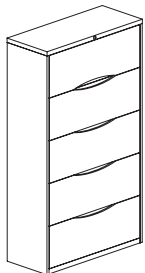
**C8817B**



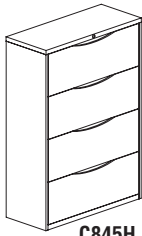
**C8817F**

Model No.	Description	Wt.	List Price
<b>C8817B</b>	15"W x 17 1/2"D x 28"H - <b>B/B/F</b>	50#	\$570
<b>C8817F</b>	15"W x 17 1/2"D x 28"H - <b>F/F</b>	48#	\$570
<b>C8824B</b>	15"W x 24"D x 28"H - <b>B/B/F</b>	65#	\$590
<b>C8824F</b>	15"W x 24"D x 28"H - <b>F/F</b>	60#	\$590
<b>C8830B</b>	15"W x 30"D x 28"H - <b>B/B/F</b>	75#	\$609
<b>C8830F</b>	15"W x 30"D x 28"H - <b>F/F</b>	67#	\$609
<b>C8817M</b>	17"D - Mobile Kit	28#	\$79
<b>C8824M</b>	24"D - Mobile Kit	31#	\$82
<b>C8830M</b>	30"D - Mobile Kit	34#	\$86
<b>EZCSHB</b>	BBF TFL Drawer Head Conversion Kit	8#	\$183
<b>EZCSHF</b>	FF TFL Drawer Head Conversion Kit	8#	\$183

## LATERAL FILES



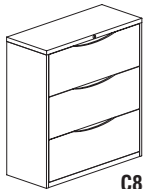
C847H



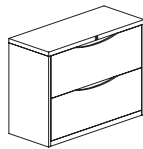
C845H

- Heavy duty, full drawer extension on steel ball bearing telescoping slides.
- All units feature anti-tipping drawer interlock system that allows only one drawer open at a time.
- Stylish, recessed drawer pull.
- Side to side rails support letter, legal and/or A4 filing.
- Top drawer of 5-Drawer Lateral is a roll-out shelf.
- All files ship keyed-alike.
- Single key removable lock.
- Features adjustable leveling glides.
- Counter weight included to meet ANSI/BIFMA stability requirements.
- **Available in Black, Medium Tone, Desert Sage, Mist and Putty. Additional Mayline Corporate Colors available for project quantities of 20 or more and an 8-10 week lead time for no additional charge.**

Model No.	Description	Dimensions	Wt.	List Price
<b>C847H</b>	42"W, 5-Drawer Lateral File	42"W x 18 3/8"D x 64 1/8"H	253#	\$1727
<b>C846H</b>	36"W, 5-Drawer Lateral File	36"W x 18 3/8"D x 64 1/8"H	231#	\$1613
<b>C845H</b>	42"W, 4-Drawer Lateral File	42"W x 18 3/8"D x 52"H	206#	\$1447
<b>C844H</b>	36"W, 4-Drawer Lateral File	36"W x 18 3/8"D x 52"H	188#	\$1281
<b>C843H</b>	42"W, 3-Drawer Lateral File	42"W x 18 3/8"D x 39 3/4"H	163#	\$1108
<b>C842H</b>	36"W, 3-Drawer Lateral File	36"W x 18 3/8"D x 39 3/4"H	147#	\$1029
<b>C841H</b>	36"W, 2-Drawer Lateral File	36"W x 18 3/8"D x 27 1/2"H	107#	\$852

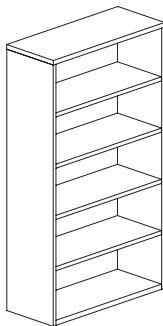


C843H



C841H

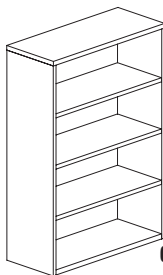
## BOOKCASES



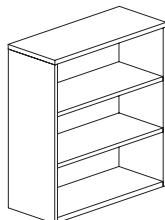
CBC5

- All steel construction.
- **Available in Black, Medium Tone, Desert Sage, Mist and Putty. Additional Mayline Corporate Colors available for a 20% upcharge on a two-week lead time. For project quantities of 20 or more and an 8-10 week lead time, there is NO upcharge.**
- Add a "P" after model number for finishes other than standard listed above.
- Units assemble easily.
- Shelf count includes bottom of bookcase.
- Shelves adjust in 1" increments.
- 13"D shelves easily accommodate 3-ring binders.
- Heights align with CSII desking and hutches.
- Backed by Mayline's Limited Lifetime Warranty.
- 150 lb. weight capacity per shelf.

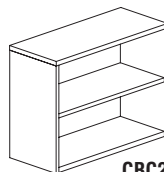
Model No.	Description	Dimensions	Wt.	List Price
<b>CBC5</b>	5-Shelf Bookcase	36"W x 15 1/8"D x 65"H	106#	\$627
<b>CBC4</b>	4-Shelf Bookcase	36"W x 15 1/8"D x 52 1/2"H	86#	\$515
<b>CBC3</b>	3-Shelf Bookcase	36"W x 15 1/8"D x 40"H	64#	\$401
<b>CBC2</b>	2-Shelf Bookcase	36"W x 15 1/8"D x 27 1/2"H	50#	\$326



CBC4



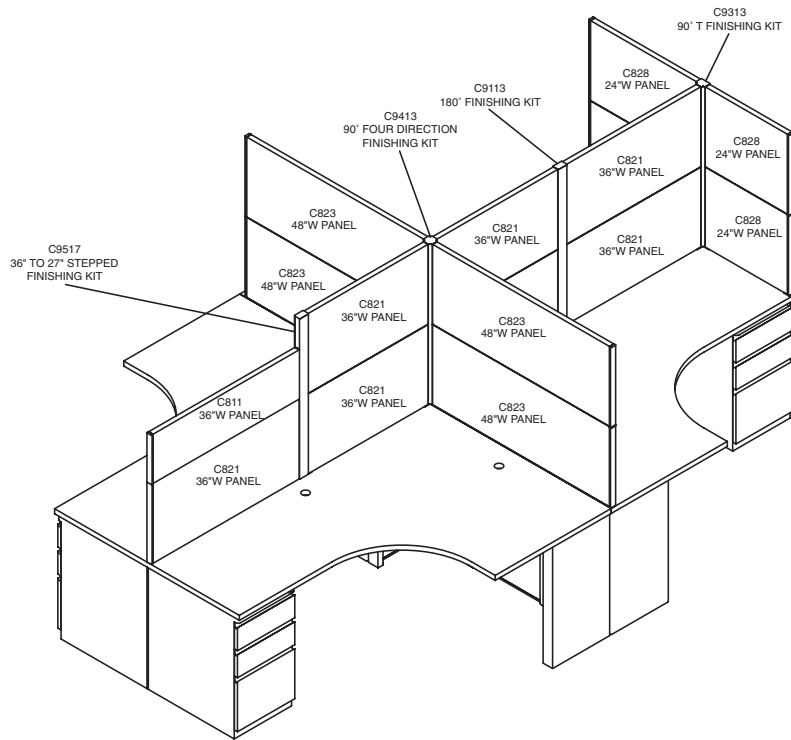
CBC3



CBC2

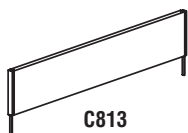
**To Specify:**

1. Determine Privacy Configuration by calculating corresponding worksurface dimensions.
2. Select required panel widths to match worksurface dimensions and panel height for desired privacy level.
3. Determine finishing kits required based on overall panel height and connection method.
4. Determine desired finishing kit color (Matches Corporate Laminate T-mold offering) and desired fabric.



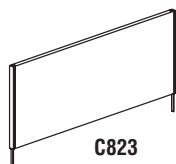
Stackable Privacy Panels are mounted to the worksurface and are available in either 9"H or 18"H. Provides numerous privacy options. Can be stacked or ganged to create many unique combinations, requires finishing kits. Panel heights can be combined for three levels of privacy, either 18", 27" or 36"H only. Trim components are provided in matching T-mold colors of Black, Warm Gray, Taupe and Ice Gray. COM options available: Contact customer service for more information.

**• 9" High Stackable Fabric Panels**



Model No.	Dimensions	Wt.	List Price
<b>C818</b>	9"H x 24"W x 1 1/4"D	7#	\$436
<b>C810</b>	9"H x 30"W x 1 1/4"D	8#	\$446
<b>C819</b>	9"H x 33"W x 1 1/4"D	9#	\$457
<b>C811</b>	9"H x 36"W x 1 1/4"D	10#	\$467
<b>C812</b>	9"H x 42"W x 1 1/4"D	11#	\$478
<b>C813</b>	9"H x 48"W x 1 1/4"D	12#	\$490

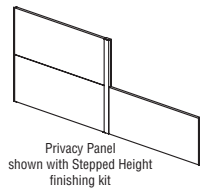
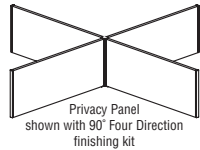
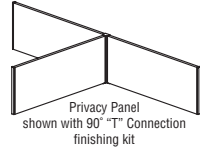
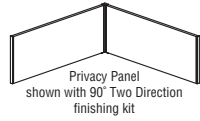
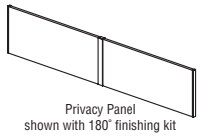
**• 18" High Stackable Fabric Panels**



<b>C828</b>	18"H x 24"W x 1 1/4"D	15#	\$529
<b>C820</b>	18"H x 30"W x 1 1/4"D	16#	\$543
<b>C829</b>	18"H x 33"W x 1 1/4"D	17#	\$557
<b>C821</b>	18"H x 36"W x 1 1/4"D	18#	\$585
<b>C822</b>	18"H x 42"W x 1 1/4"D	19#	\$604
<b>C823</b>	18"H x 48"W x 1 1/4"D	20#	\$613

## CSII

## STACKABLE PRIVACY PANEL FINISHING KITS



Model No.	Description	Wt.	List Price
<b>C9111</b>	180° Privacy Panel Finishing Kit - 18"H	2#	\$51
<b>C9112</b>	180° Privacy Panel Finishing Kit - 27"H	3#	\$67
<b>C9113</b>	180° Privacy Panel Finishing Kit - 36"H	4#	\$86
<b>C9211</b>	90° Two direction Privacy Panel Finishing Kit - 18"H	2#	\$55
<b>C9212</b>	90° Two direction Privacy Panel Finishing Kit - 27"H	3#	\$73
<b>C9213</b>	90° Two direction Privacy Panel Finishing Kit - 36"H	4#	\$88
<b>C9311</b>	90° "T" Connection Privacy Panel Finishing Kit - 18"H	3#	\$62
<b>C9312</b>	90° "T" Connection Privacy Panel Finishing Kit - 27"H	4#	\$80
<b>C9313</b>	90° "T" Connection Privacy Panel Finishing Kit - 36"H	5#	\$96
<b>C9411</b>	90° Four direction Privacy Panel Finishing Kit - 18"H	3#	\$69
<b>C9412</b>	90° Four direction Privacy Panel Finishing Kit - 27"H	4#	\$88
<b>C9413</b>	90° Four direction Privacy Panel Finishing Kit - 36"H	5#	\$106
<b>C9512</b>	Stepped Height Privacy Panel Finishing Kit - Stepped 18"-27"H	3#	\$96
<b>C9513</b>	Stepped Height Privacy Panel Finishing Kit - Stepped 18"-36"H	4#	\$115
<b>C9517</b>	Stepped Height Privacy Panel Finishing Kit - Stepped 27"-36"H	5#	\$141

## HOW TO ORDER CSII PRIVACY PANEL FABRIC SCREENS

## FABRIC SCREEN OPTIONS

When ordering fabric screens, use the code at right to indicate your fabric option:

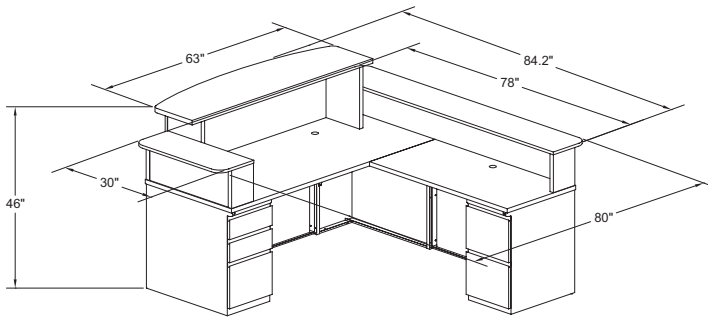
C	8	2	8	C	R	A
Product Code				Fabric Option		

Any additional Guilford of Maine fabrics are available with a maximum 4-week production lead time for a nominal upcharge. Contact a Mayline customer service representative for more information.

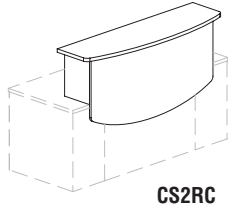
## Corporate Fabrics

Fabric Color	Order Code
<b>Spinel</b>	
Tiger Eye	STY
Sand Stone	SSS
Guilden	SGL
<b>Lido</b>	
Balboa	BAL
Heartland	LHL
Bryce Canyon	LBC
<b>Mingle</b>	
Crystal	MCT
Khaki	MHK
Biscuit	MBT
<b>Cross Town</b>	
Buff	CBF
Ray	CRA
Fieldstone	CFS
<b>Anchorage</b>	
Goose	AGS
<b>Bailey</b>	
Khaki	BKH
<b>Hopscotch</b>	
Fieldstone	HFS



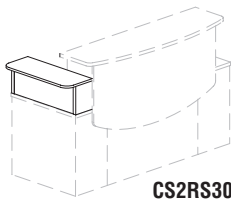
**CSII RECEPTION****CSII RECEPTION DESK TYPICAL – CST27****Consists of:**

QTY.	MODEL NO.	DESCRIPTION	LIST PRICE EACH
1	<b>C1371</b>	Rectangular Desk, 72" x 30" w/ 1 B/B/F	\$1253
1	<b>C2433</b>	Return, 48" x 24" w/ 1 F/F	\$1016
1	<b>CS2RC</b>	Reception Counter	\$845
1	<b>CS2RS78</b>	Reception Auxiliary Counter 78"W	\$563
1	<b>CS2RS30</b>	Reception Auxiliary Counter 30"W	\$402

**CST27****TOTAL: \$4079****RECEPTION COUNTER****CS2RC**

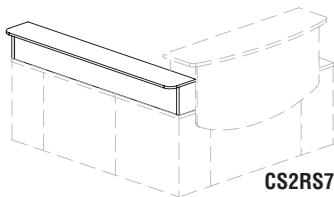
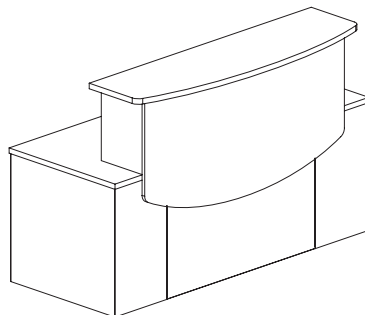
- For rectangular reception desk. To be used on any 72"W x 30"D CSII desk.
- Laminate design.
- 1 1/8" thick bowfront transaction counter.

Model No.	Description	Dimensions	Wt.	List Price
<b>CS2RC</b>	Reception Counter	63"W x 18"D x 17 3/8"H (29"H overall)	115#	\$845

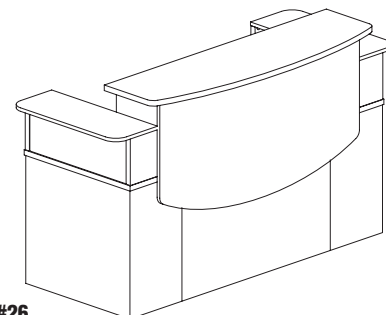
**AUXILIARY COUNTER****CS2RS30**

- 30" counter to be used with reception counter on any 72"W x 30"D CSII desk.
- 78" counter to be used with reception counter on any 72"W x 30"D CSII desk and any 48"W CSII return.
- All laminate design.

Model No.	Description	Dimensions	Wt.	List Price
<b>CS2RS30</b>	30" Auxiliary Counter	30"W x 12"D x 10 3/4"H	30#	\$402
<b>CS2RS78</b>	78" Auxiliary Counter	78"W x 12"D x 10 3/4"H	80#	\$563

**CS2RS78****CSII RECEPTION DESK TYPICALS****CSII TYPICAL #25**

QTY.	MODEL NO.	DESCRIPTION	LIST PRICE EACH
1	<b>C1375</b>	Rect. Desk 72"W x 30"D with 1 B/B/F & 1 F/F Ped	\$1736
1	<b>CS2RC</b>	Reception Counter	\$845

**CST25****TOTAL: \$2581****CSII TYPICAL #26****Consists of:**

QTY.	MODEL NO.	DESCRIPTION	LIST PRICE EACH
1	<b>C1375</b>	Rect. Desk 72"W x 30"D w/1 B/B/F & 1 F/F Ped	\$1736
1	<b>CS2RC</b>	Reception Counter	\$845
1	<b>CS2RS30</b>	Reception Auxiliary Shelf 30"W	\$402
1	<b>CS2RS30</b>	Reception Auxiliary Shelf 30"W	\$402

**CST26****TOTAL: \$3385**

# CSII CONFERENCE TABLES



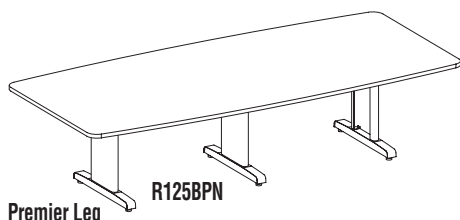
## CSII CONFERENCE TABLES

Full-size conference tables with optional power and data modules designed for optional power and data access to operate computers and presentation equipment during meetings.

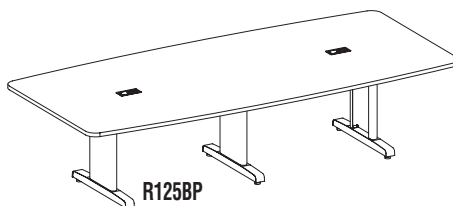
- All tables are 29"H overall.
- Three shapes of conference surfaces: Racetrack, Boat, and Rectangular.
- Table legs are constructed of 14 gauge steel and available in Mayline's standard black finish.
- Tops constructed of 1 1/8" thick high pressure laminate with t-mold edge.
- Tables can be ordered with black grommets.
- If ordering optional power module, table must be ordered with grommets.
- Slimline legs are 7"W and Premier legs are 13"W. Both have integrated cable channels within table legs.
- All tables standard with two legs, except for 120" with three legs.
- **Base Finish:** List prices shown are for black base finish. The bases can be finished in any other standard finish for a \$50 list upcharge. Add a "C" suffix after the model number and specify standard finish.
- **Work surfaces available in the six e5 colors; see box on page 37 for details.**

Model No.	Description	Slimline Leg Grommets (+S) List Price	Slimline Leg No Grommets (+SN) List Price	Premier Leg Grommets (+P) List Price	Premier Leg No Grommets (+PN) List Price
R73R	72" x 36" Rectangular	\$1248	\$1157	\$1338	\$1302
R73B	72" x 36" Boat-Shaped	\$1248	\$1157	\$1338	\$1302
R73V	72" x 36" Racetrack	\$1248	\$1157	\$1338	\$1302
R84R	84" x 42" Rectangular	\$1408	\$1373	\$1460	\$1425
R84B	84" x 42" Boat-Shaped	\$1408	\$1373	\$1460	\$1425
R84V	84" x 42" Racetrack	\$1408	\$1373	\$1460	\$1425
R94R	96" x 48" Rectangular	\$1442	\$1408	\$1495	\$1461
R94B	96" x 48" Boat-Shaped	\$1442	\$1408	\$1495	\$1461
R94V	96" x 48" Racetrack	\$1442	\$1408	\$1495	\$1461
R95R	96" x 54" Rectangular	\$1478	\$1442	\$1534	\$1496
R95B	96" x 54" Boat-Shaped	\$1478	\$1442	\$1534	\$1496
R95V	96" x 54" Racetrack	\$1478	\$1442	\$1534	\$1496
R104R	108" x 48" Rectangular	\$1644	\$1610	\$1716	\$1679
R104B	108" x 48" Boat-Shaped	\$1644	\$1610	\$1716	\$1679
R104V	108" x 48" Racetrack	\$1644	\$1610	\$1716	\$1679
R105R	108" x 54" Rectangular	\$1774	\$1740	\$1845	\$1811
R105B	108" x 54" Boat-Shaped	\$1774	\$1740	\$1845	\$1811
R105V	108" x 54" Racetrack	\$1774	\$1740	\$1845	\$1811
R124R	120" x 48" Rectangular	\$1901	\$1864	\$1971	\$1936
R124B	120" x 48" Boat-Shaped	\$1901	\$1864	\$1971	\$1936
R124V	120" x 48" Racetrack	\$1901	\$1864	\$1971	\$1936
R125R	120" x 54" Rectangular	\$2006	\$1971	\$2076	\$2042
R125B	120" x 54" Boat-Shaped	\$2006	\$1971	\$2076	\$2042
R125V	120" x 54" Racetrack	\$2006	\$1971	\$2076	\$2042

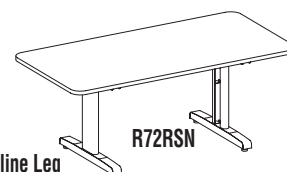
Model No.	Description	List Price
SPM	Optional Power Module [includes RJ11-Cat 3 coupler (phone) and RJ45 coupler (data)] – 6' power cord.	\$273



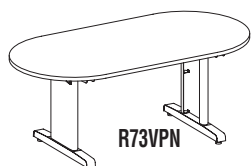
Premier Leg



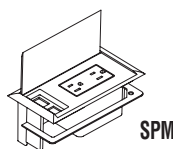
R125BP



Slimline Leg

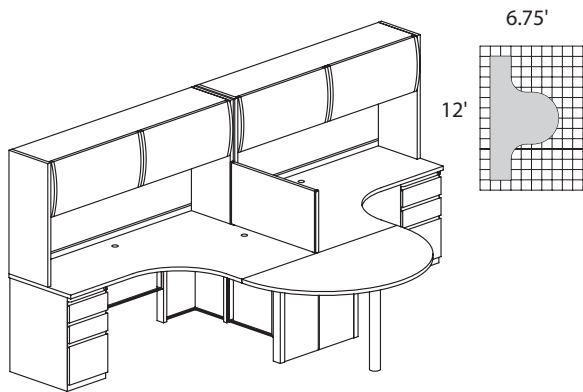


R73VPN



SPM

# CSII TYPICALS



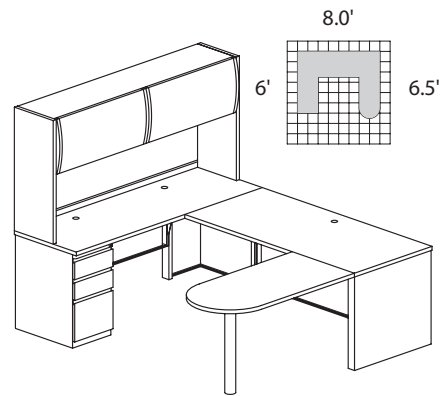
**CSII TYPICAL #1**

Consists of:

QTY.	MODEL NO.	DESCRIPTION	LIST PRICE EACH
1	<b>C343L1</b>	J Table 72"W x 48"D x 30"H Ret. Left w/One B/B/F	\$1605
1	<b>C343R1</b>	J Table 72"W x 48"D x 30"H Ret. Right w/One B/B/F	\$1605
1	<b>C829</b>	Stackable Fabric Panel 18"H x 33"W	\$557
2	<b>C747</b>	Flipper Door Overhead Unit 72"W x 15"D x 36"H	\$1106
1	<b>C515</b>	Team Table 60"W x 31"H	\$669
2	<b>C867</b>	Fabric Tack Panel for Overhead 69 1/4"W x 17"H	\$343

**CST1**

**TOTAL: \$7334**



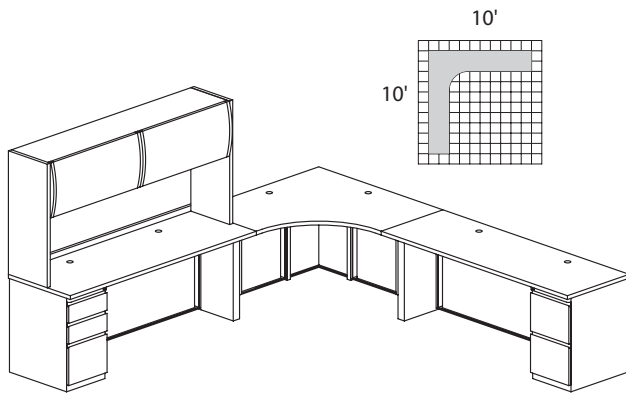
**CSII TYPICAL #2**

Consists of:

QTY.	MODEL NO.	DESCRIPTION	LIST PRICE EACH
1	<b>C1171</b>	Credenza 72"W x 24"D w/One B/B/F	\$1233
1	<b>C2576</b>	Return 72"W x 30"D	\$849
1	<b>C673</b>	Peninsula Table 48"W x 24"D	\$638
1	<b>C747</b>	Flipper Door Overhead Unit 72"W x 15"D x 36"H	\$1106
1	<b>C867</b>	Fabric Tack Panel for Overhead 69 1/4"W x 17"H	\$343

**CST2**

**TOTAL: \$4169**



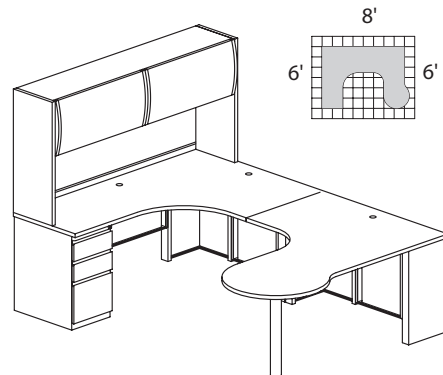
**CSII TYPICAL #3**

Consists of:

QTY.	MODEL NO.	DESCRIPTION	LIST PRICE EACH
1	<b>C542</b>	Corner Desk 24"D x 42"W x 42"W x 24"D	\$1084
1	<b>C2471</b>	Return 72"W x 24"D w/One B/B/F	\$1199
1	<b>C2473</b>	Return 72"W x 24"D w/One F/F	\$1199
1	<b>C747</b>	Flipper Door Overhead Unit 72"W x 15"D x 36"H	\$1106
1	<b>C867</b>	Fabric Tack Panel for Overhead 69 1/4"W x 17"H	\$343

**CST3**

**TOTAL: \$4931**



**CSII TYPICAL #4**

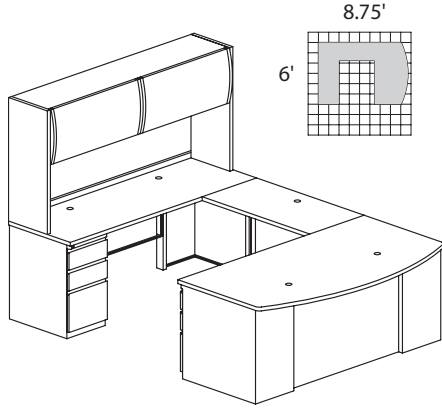
Consists of:

QTY.	MODEL NO.	DESCRIPTION	LIST PRICE EACH
1	<b>C343R1</b>	J Table 72"W x 48"D x 30"H Ret. Right w/One B/B/F	\$1605
1	<b>C483L</b>	P Table 72"W x 48"D x 30"H Ret. Left w/Conference End	\$1276
1	<b>C747</b>	Flipper Door Overhead Unit 72"W x 15"D x 36"H	\$1106
1	<b>C867</b>	Fabric Tack Panel for Overhead 69 1/4"W x 17"H	\$343

**CST4**

**TOTAL: \$4330**

**CSII TYPICALS**



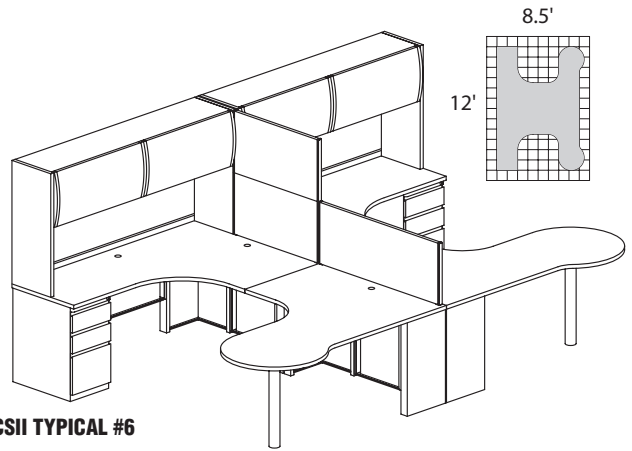
**CSII TYPICAL #5**

Consists of:

QTY.	MODEL NO.	DESCRIPTION	LIST PRICE EACH
1	<b>C1971</b>	Bowfront Desk 72"W x 39"D w/ One B/B/F	\$1416
1	<b>C282T</b>	Straight Bridge 42"W x 21"D	\$367
1	<b>C1171</b>	Credenza 72"W x 24"D w/ One B/B/F	\$1233
1	<b>C747</b>	Flipper Door Overhead Unit 72"W x 15"D x 36"H	\$1106
1	<b>C867</b>	Fabric Tack Panel for Overhead 69 1/4"W x 17"H	\$343

**CST5**

**TOTAL: \$4465**



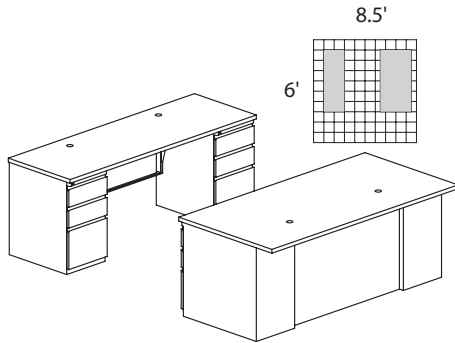
**CSII TYPICAL #6**

Consists of:

QTY. NO.	MODEL DESCRIPTION	LIST PRICE EACH
1	<b>C343L1</b> J Table 72"W x 48"D x 30"H Ret. Left w/ One B/B/F	\$1605
1	<b>C343R1</b> J Table 72"W x 48"D x 30"H Ret. Right w/ One B/B/F	\$1605
1	<b>C483L</b> P Table 72"W x 48"D x 30"H Ret. Left w/ Conf. End	\$1276
1	<b>C483R</b> P Table 72"W x 48"D x 30"H Ret. Right w/ Conf. End	\$1276
2	<b>C747</b> Flipper Door Overhead Units 72"W x 15"D x 36"H	\$1106
2	<b>C867</b> Fabric Tack Panels for Overhead 69 1/4"W x 17"H	\$343
4	<b>1505TL</b> Optional Task Lights	\$300
2	<b>C829</b> Stackable Fabric Panels 33"W x 18"H	\$557
1	<b>C823</b> Stackable Fabric Panel 48"W x 18"H	\$613
1	<b>C9513</b> Stepped Height Privacy Panel Finishing Kit	\$115

**CST6**

**TOTAL: \$11702**



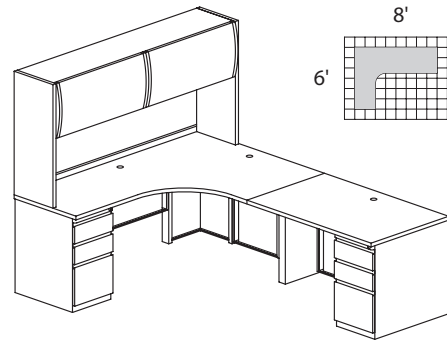
**CSII TYPICAL #7**

Consists of:

QTY. NO.	MODEL DESCRIPTION	LIST PRICE EACH
1	<b>C1675</b> Desk 72"W x 36"D w/One B/B/F and One F/F	\$1801
1	<b>C1172</b> Credenza 72"W x 24"D w/Two B/B/F	\$1702

**CST7**

**TOTAL: \$3503**



**CSII TYPICAL #8**

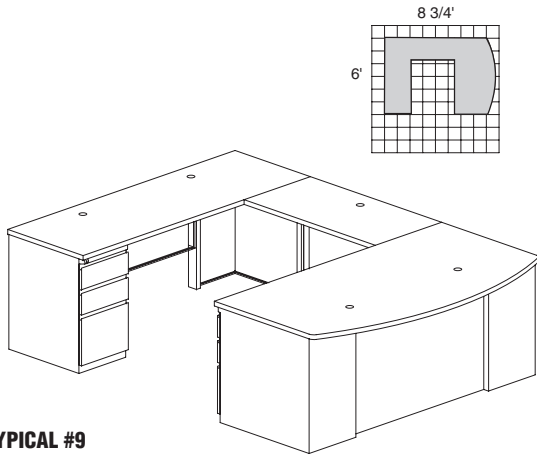
Consists of:

QTY. NO.	MODEL DESCRIPTION	LIST PRICE EACH
1	<b>C343R1</b> J Table 72"W x 48"D x 30" Ret. Right w/ One B/B/F	\$1605
1	<b>C2531</b> Return 48"W x 30"D w/ One B/B/F	\$1072
1	<b>C747</b> Flipper Door Overhead Unit 72"W x 15"D x 36"H	\$1106
1	<b>C867</b> Fabric Tack Panel for Overhead 69 1/4"W x 17"H	\$343

**CST8**

**TOTAL: \$4126**

**CSII TYPICALS**



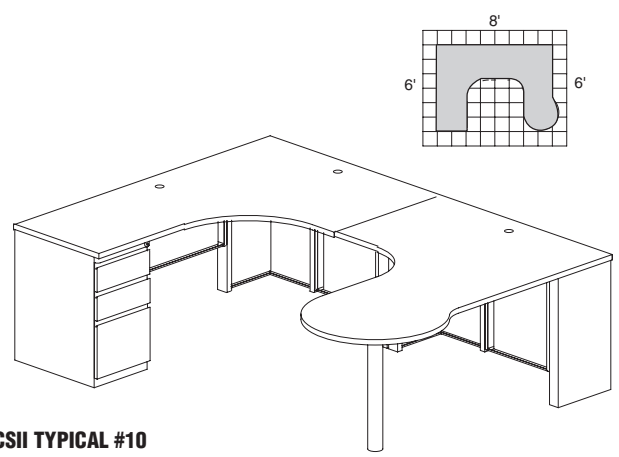
**CSII TYPICAL #9**

**Consists of:**

QTY.	MODEL NO.	DESCRIPTION	LIST PRICE EACH
1	<b>C1971</b>	Bowfront Desk 72"W x 39"D w/One B/B/F	\$1416
1	<b>C1171</b>	Credenza 72"W x 24"D w/One B/B/F	\$1233
1	<b>C282T</b>	Straight Bridge 42"W x 24"D	\$367

**CST9**

**TOTAL: \$3016**



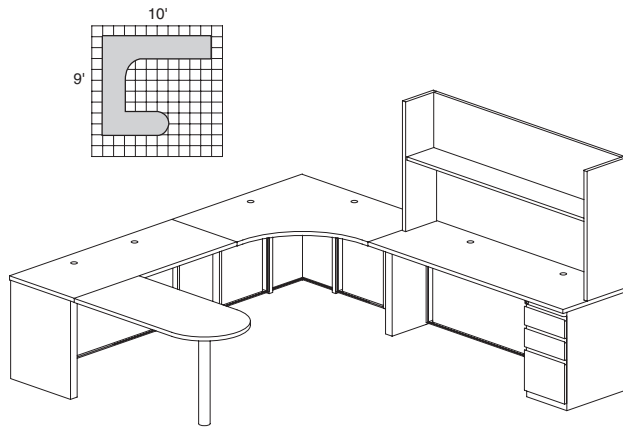
**CSII TYPICAL #10**

**Consists of:**

QTY.	MODEL NO.	DESCRIPTION	LIST PRICE EACH
1	<b>C343R1</b>	J Table 72"W x 48"D x 30"D Ret. Right w/One B/B/F	\$1605
1	<b>C483L</b>	P Table 72"W x 48"D x 30"D Ret. Left w/Conf. End	\$1276

**CST10**

**TOTAL: \$2881**



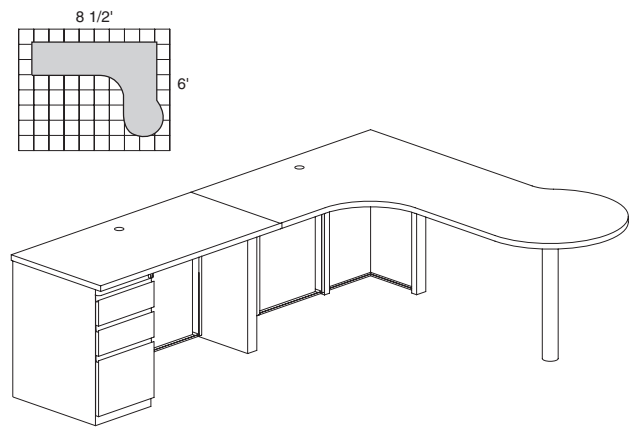
**CSII TYPICAL #11**

**Consists of:**

QTY.	MODEL NO.	DESCRIPTION	LIST PRICE EACH
1	<b>C583</b>	Corner Desk 24"D x 48"W x 48"W x 24"D	\$1165
1	<b>C2471</b>	Return 72"W x 24"D w/One B/B/F	\$1199
1	<b>C2456</b>	Return 60"W x 24"D	\$678
1	<b>C673</b>	Peninsula Table 48"W x 24"D	\$638
1	<b>C777</b>	Overhead Open Shelf 72"W x 14"D x 36"H	\$627
1	<b>C867</b>	Fabric Tack Panel for Overhead 69"W x 1/2"D x 17"H	\$343

**CST11**

**TOTAL: \$4650**



**CSII TYPICAL #12**

**Consists of:**

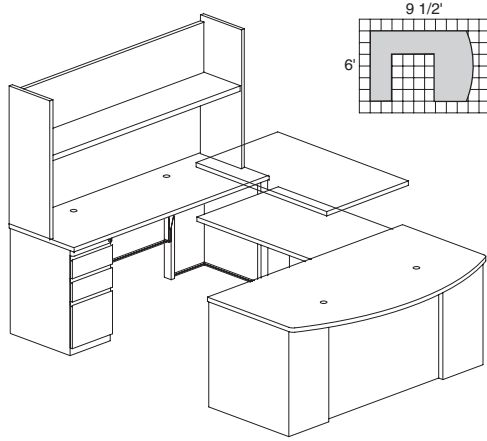
QTY.	MODEL NO.	DESCRIPTION	LIST PRICE EACH
1	<b>C413L</b>	P Table 72"W x 48"D x 24"D Ret. w/Conference End	\$1276
1	<b>C2431</b>	Return 48"W x 24"D w/One B/B/F	\$1016

**CST12**

**TOTAL: \$2292**



**CSII TYPICALS**



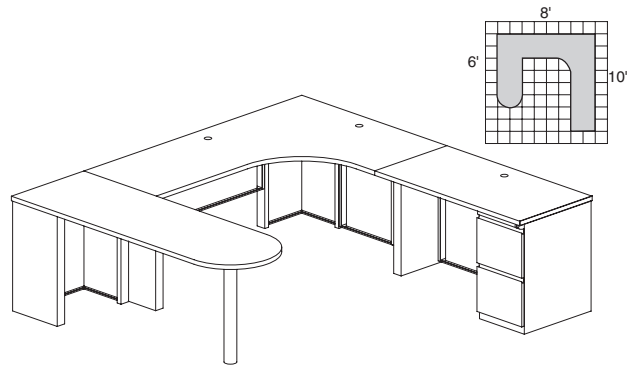
**CSII TYPICAL #14**

Consists of:

QTY. NO.	MODEL	DESCRIPTION	LIST PRICE EACH
1	C1971	Bowfront Desk 72"W x 39"D w/One B/B/F	\$1416
1	C1171	Credenza 72"W x 24"D w/One B/B/F	\$1233
1	C48A	Height Adjustable Bridge 48"W x 24"D	\$2042
1	C777	Overhead Open Shelf 72"W x 14"D x 36"H	\$627
1	C867	Fabric Tack Panel for Overhead 69"W x 1/2"D x 17"H	\$343

**CST14**

**TOTAL: \$5661**



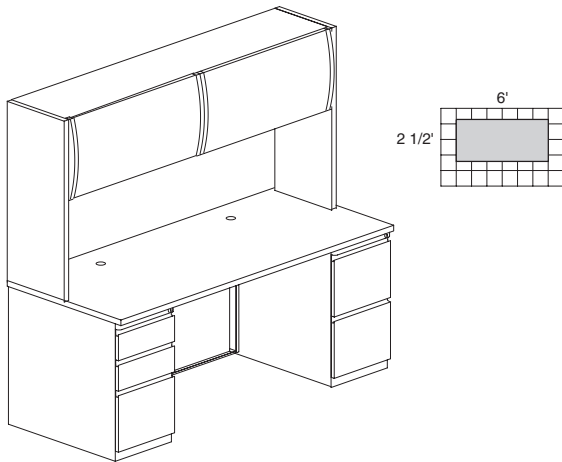
**CSII TYPICAL #15**

Consists of:

QTY. NO.	MODEL	DESCRIPTION	LIST PRICE EACH
1	C313R6	J Table 72"W x 48"D x 24"D Return Right	\$1262
1	C627	Peninsula Table 72"W x 24"D	\$1423
1	C2433	Return 48"W x 24"D w/One F/F	\$1016

**CST15**

**TOTAL: \$3701**



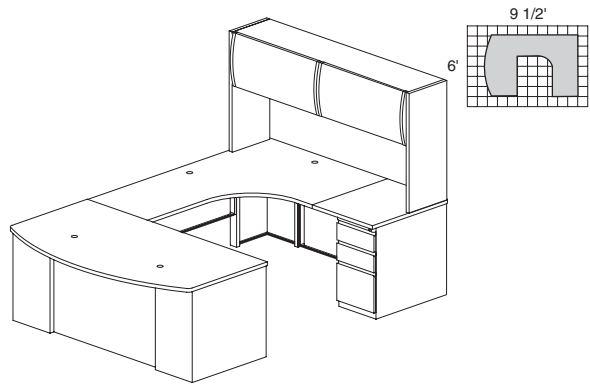
**CSII TYPICAL #18**

Consists of:

QTY. NO.	MODEL	DESCRIPTION	LIST PRICE EACH
1	C1375	Desk 72"W x 30"D w/One B/B/F and One F/F	\$1736
1	C747	Flipper Door Overhead Unit 72"W x 15"D x 36"H	\$1106
1	C867	Fabric Tack Panel for Overhead 69"W x 1/2"D x 17"H	\$343

**CST18**

**TOTAL: \$3185**



**CSII TYPICAL #19**

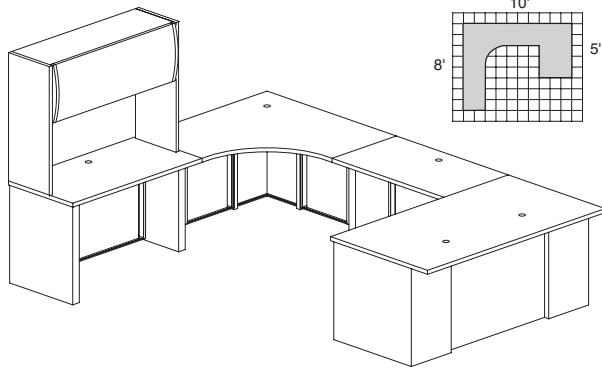
Consists of:

QTY. NO.	MODEL	DESCRIPTION	LIST PRICE EACH
1	C1971	Bowfront Desk 72"W x 39"D w/One B/B/F	\$1416
1	C343R6	J Table 72"W x 48"D x 30"D Return Right	\$1262
1	C2581	Return 24"W x 30"D w/One B/B/F	\$934
1	C747	Flipper Door Overhead Unit 72"W x 15"D x 36"H	\$1106
1	C867	Fabric Tack Panel for Overhead 69"W x 1/2"D x 17"H	\$343

**CST19**

**TOTAL: \$5061**

**CSII TYPICALS**



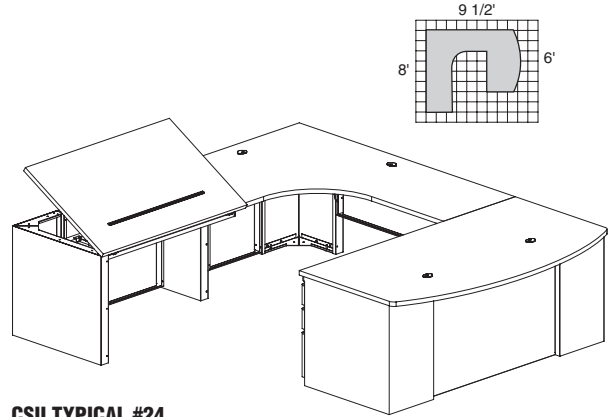
**CSII TYPICAL #22**

**Consists of:**

QTY. NO.	MODEL	DESCRIPTION	LIST PRICE EACH
1	<b>C583</b>	Corner Desk 24"D x 48"W x 48"W x 24"D	\$1165
1	<b>C1656</b>	Desk 60"W x 36"D	\$811
1	<b>C281T</b>	Straight Bridge 36"W x 24"D w/Tall Modesty Panel	\$348
1	<b>C2436</b>	Return 48"W x 24"D	\$565
1	<b>C743</b>	Flipper Door Overhead Unit 48"W x 15"D x 36"H	\$805
1	<b>C863</b>	Fabric Tack Panel for Overhead 45"W x 17"H	\$273

**CST22**

**TOTAL: \$3967**



**CSII TYPICAL #24**

**Consists of:**

QTY. NO.	MODEL	DESCRIPTION	LIST PRICE EACH
1	<b>C1971</b>	Bowfront Desk 72"W x 39"D w/One B/B/F	\$1416
1	<b>C343L6</b>	J Table 72"W x 48"D x 30"D Return Left	\$1262
1	<b>C48TR</b>	Tilt Top Return Table 48"W x 30"D	\$1139

**CST24**

**TOTAL: \$3817**

# COMMUNICATION STATION® FREESTANDING WORKTABLES

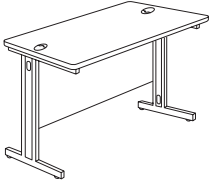


GSA

## FREESTANDING WORKTABLES

As a courtesy to our customers, Mayline has carried over a select group of Communication Station Free Standing Worktables for stand-alone applications. Please refer back to the CSII section of the price list for all desking accessories and storage features. There is one wire management grommet at each end of 42", 48", 60" and 72" wide worktables and a wire port in each leg upright. Modesty panel included. Legs are universal, left and right.

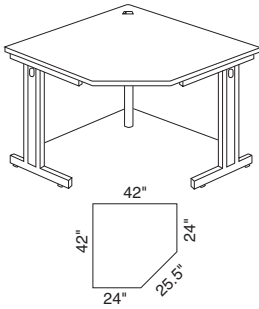
24" deep worktables—desk height



Model No.	Dimensions	Wt.	List Price
<b>243029</b>	30"W x 24"D x 29 1/2"H	56#	\$665
<b>243629</b>	36"W x 24"D x 29 1/2"H	62#	\$706
<b>244829</b>	48"W x 24"D x 29 1/2"H	76#	\$816
<b>246029</b>	60"W x 24"D x 29 1/2"H	91#	\$923
<b>247229</b>	72"W x 24"D x 29 1/2"H	107#	\$1034

\* No grommet on 30" and 36" widths. 30" wide worktables will not accept any keyboard options

## CORNER UNITS



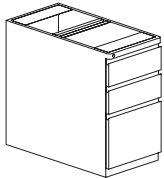
Corner units can be used as freestanding worktables or as part of a larger configuration. Connecting brackets included. Grommet is provided at rear of unit. Modesty panels are standard.

### Corner Units for 24" Deep Workstations

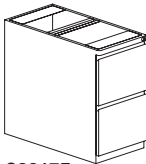
Model No.	Dimensions	Wt.	List Price
<b>242229</b>	42"W x 24"D x 29 1/2"H	87#	\$1229

## PEDESTALS

- Full width "J" style pulls.
- Full extension ball bearing slides.
- Locks standard.
- Leveling glides have 5/8" of adjustability.
- Supports letter and legal file widths.
- Unique recessed base design allows casters to be added without adding additional height to the pedestal.



**C8817B**



**C8817F**

Model No.	Dimensions	Wt.	List Price
<b>C8817B</b>	15"W x 17 1/2"D x 28"H - <b>B/B/F</b>	50#	\$570
<b>C8817F</b>	15"W x 17 1/2"D x 28"H - <b>F/F</b>	48#	\$570
<b>C8817M</b>	17"D - Mobile Kit	28#	\$79

Sleek outside, smart inside, TransAction is a system that does it all. It offers basic benching for teams on the go, personalized workstations that provide privacy and focus, extreme technology options for applications such as trading floors and even upscale multi-media conference rooms. An easy to specify and assemble starter/adder system for single- or dual-sided workstations makes TransAction an ideal solution for the office environment that needs to maximize space and be flexible enough for a variety of users. TransAction has real style, flexibility and a price point that will appeal to any business.



## WORKSTATIONS

29.5" Surface height. Depth – 30" single-sided; 60" dual-sided. Standard widths 48", 60" and 72" wide. Standard workstation consists of work surfaces with or without access panels, a beam and trough, leg panels (starter unit – two end legs with 2 outer and 2 inner panels; adder – one leg with two inner panels). New 120 Degree/3 Workstation Pod now available. Trough power kits attach to infeed cables that exit the system through the bottom of the inner leg panel to the floor. Leg panels, trough and beam are made of painted steel. **Available in all Mayline Corporate paint finishes including Tech Silver.**

## WORK SURFACES AND LEG PANEL INSERT

1 1/8" High-pressure laminate surfaces with a PVC knife front edge T-mold and 3mm side edging. Leg panel laminate insert is a thin layer of laminate glued to steel leg. **Available in over 600 HPL patterns with coordinating T-mold or 3mm edging in Black, Taupe, Warm Gray, Ice Gray or Silver.**

## STORAGE

Attached non-handed returns in 42" or 48" widths are supported by pedestals or two-drawer lateral files. Box-Box-File or File-File pedestals and lateral files are painted steel available in all Mayline Corporate finishes. Pencil drawers can be added to each workstation, in black only. Freestanding pedestals can be mobilized for users that share storage or are only in the office occasionally in shared workstations. Limited color selection. A full line of lateral files or bookcases can be added to a work environment to provide additional freestanding storage. **Available in all Mayline Corporate paint finishes including new Tech Silver.**

## TECHNOLOGY ACCESSORIES

TransAction features a complete system for flat screen displays including sleek and functional aluminum monitor poles and monitor support arms in single- and dual-extensions. The system includes pole, support arms, and wire management that are bolted to the workstation beam. Up to eight monitors can be mounted to the pole in various configurations using the support arms. Though designed as part of the TransAction product line these accessories can be bolted to any work surface. We also offer CPU holders and keyboard support options.

## PANELS AND SCREENS

Eco-friendly tackable fabric panels available as standard in our corporate fabrics. Painted steel mounting brackets bolt the panels to the center beam and anti-skid tape to the front of the work surface. Acrylic screens also available as standard in frosted Green Crystal Ice acrylic with flame polished edges. Acrylic screens are attached with brushed silver zinc brackets to the beam. Both panels and screens can be used to delineate individual work areas or provide minimal privacy. Additional fabrics or acrylic colors in a variety of designs are available at additional fees and longer lead times.

**Power Components:** Preconfigured power kits as well as power feeds are available for TransAction to make your job easier. Special requests can also be addressed with additional lead time and fees required. **Production lead time for power components is 3 weeks.**

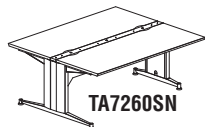
# TRANSACTION™ DESKING

## DUAL-SIDED WORKSTATIONS

Standard:

- Easy starter/adder system.
- A starter unit can be a free standing dual-sided work space.
- Sturdy welded steel beam and trough construction.
- Trough provides space for power and data management.
- Units can support attached pedestals, returns, keyboard trays, pencil drawers and CPU holders.
- Two Work Surfaces (back-to-back): 48", 60", or 72"W/ overall depth of 60" with or without access panels.
- Leg Assembly: Two for Starter, one for Adder.
- Adders can be added to the left or right of the Starter.
- Beam also supports above surface monitor supports and privacy partitions.
- Trough Access Panels optional – Suffix "N" designates without access panels.
- All attachment hardware included.
- Finishes – refer to page 59.

## DUAL-SIDED WITHOUT ACCESS PANELS



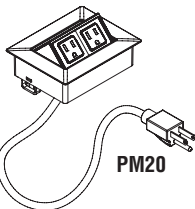
TA7260SN



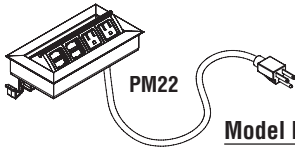
TA7260AN

Model No.	Description	Wt.	List Price
TA4860SN	48"W x 60"D x 29.5"H Starter w/o access panels	248#	\$3545
TA6060SN	60"W x 60"D x 29.5"H Starter w/o access panels	253#	\$3797
TA7260SN	72"W x 60"D x 29.5"H Starter w/o access panels	278#	\$4042
TA4860AN	48"W x 60"D x 29.5"H Adder w/o access panels	198#	\$2712
TA6060AN	60"W x 60"D x 29.5"H Adder w/o access panels	223#	\$3038
TA7260AN	72"W x 60"D x 29.5"H Adder w/o access panels	248#	\$3218

## DUAL-SIDED WITHOUT ACCESS PANELS WITH SURFACE POWER/DATA OPTIONS



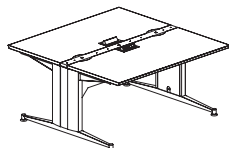
PM20



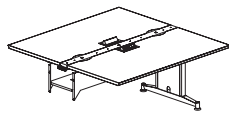
PM22

Model No.	Description	Option (Suffix)	Wt.	List Price
PM20	Power Module with 2 Power Outlets (Black only) and cutout	1	2#	\$293
PM22	Power and Data Surface Module with 2 Power and 2 Data Outlets (Silver only)	2	4#	\$446

**Order Example:** TA4860SN1 (See module options above)  
48" x 60" starter without access panels includes (1) PM20 module and cutout in surface on each side of dual workstation.



TA6060SN2

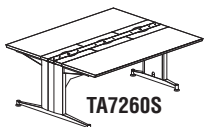


TA6060AN2

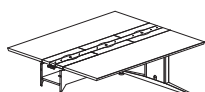
Model No.	Description	Wt.	List Price
TA4860SN1	48"W x 60"D x 29.5"H Starter w/o access panels/with (2) PM20 and cutouts	252#	\$4192
TA6060SN1	60"W x 60"D x 29.5"H Starter w/o access panels/with (2) PM20 and cutouts	257#	\$4444
TA7260SN1	72"W x 60"D x 29.5"H Starter w/o access panels/with (2) PM20 and cutouts	282#	\$4689
TA4860SN2	48"W x 60"D x 29.5"H Starter w/o access panels/with (2) PM22 and cutouts	256#	\$4471
TA6060SN2	60"W x 60"D x 29.5"H Starter w/o access panels/with (2) PM22 and cutouts	261#	\$4723
TA7260SN2	72"W x 60"D x 29.5"H Starter w/o access panels/with (2) PM22 and cutouts	286#	\$4968
TA4860AN1	48"W x 60"D x 29.5"H Adder w/o access panels/with (2) PM20 and cutouts	202#	\$3358
TA6060AN1	60"W x 60"D x 29.5"H Adder w/o access panels/with (2) PM20 and cutouts	227#	\$3685
TA7260AN1	72"W x 60"D x 29.5"H Adder w/o access panels/with (2) PM20 and cutouts	252#	\$3865
TA4860AN2	48"W x 60"D x 29.5"H Adder w/o access panels/with (2) PM22 and cutouts	206#	\$3638
TA6060AN2	60"W x 60"D x 29.5"H Adder w/o access panels/with (2) PM22 and cutouts	231#	\$3851
TA7260AN2	72"W x 60"D x 29.5"H Adder w/o access panels/with (2) PM22 and cutouts	256#	\$4144

## DUAL-SIDED WITH ACCESS PANELS

For access panel preconfigured power kits, see page 65.



TA7260S



TA7260A

Model No.	Description	Wt.	List Price
TA4860S	48"W x 60"D x 29.5"H Starter w/ access panels	248#	\$3992
TA6060S	60"W x 60"D x 29.5"H Starter w/ access panels	253#	\$4357
TA7260S	72"W x 60"D x 29.5"H Starter w/ access panels	278#	\$4575
TA4860A	48"W x 60"D x 29.5"H Adder w/ access panels	198#	\$3177
TA6060A	60"W x 60"D x 29.5"H Adder w/ access panels	223#	\$3609
TA7260A	72"W x 60"D x 29.5"H Adder w/ access panels	248#	\$3794

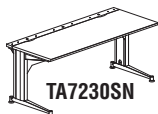


## SINGLE-SIDED WORKSTATIONS

Standard:

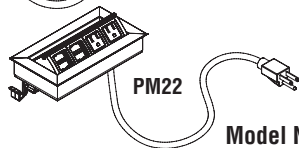
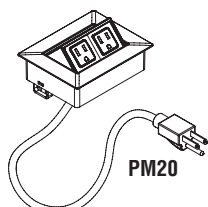
- Easy starter/adder system.
- A starter unit can be a freestanding single-sided work space.
- Sturdy welded steel beam and trough construction.
- Trough provides space for power and data management.
- Units can support attached pedestals, returns, keyboard trays, pencil drawer, and CPU holders.
- Trough Access Panels optional - Suffix "N" designates without access panels.
- Finishes – refer to page 59.
- Leg Assembly: Two for Starter, one for Adder.
- Single-sided adders can only be added to the right side of the starter.
- Beam also supports above surface monitor supports and privacy partitions.
- Legs provide vertical cable routing from floor-to-trough.
- All attachment hardware included.
- Work Surfaces are available in 48", 60", or 72" W/ overall depth of 30" with or without access panels.

## SINGLE-SIDED WITHOUT ACCESS PANELS



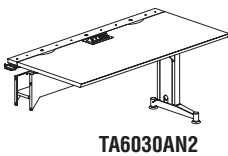
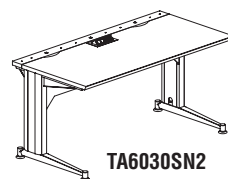
Model No.	Description	Wt.	List Price
<b>TA4830SN</b>	48"W x 30"D x 29.5"H Starter w/o access panels	156#	\$2702
<b>TA6030SN</b>	60"W x 30"D x 29.5"H Starter w/o access panels	169#	\$2956
<b>TA7230SN</b>	72"W x 30"D x 29.5"H Starter w/o access panels	182#	\$3088
<b>TA4830AN</b>	48"W x 30"D x 29.5"H Adder w/o access panels	140#	\$2026
<b>TA6030AN</b>	60"W x 30"D x 29.5"H Adder w/o access panels	153#	\$2227
<b>TA7230AN</b>	72"W x 30"D x 29.5"H Adder w/o access panels	164#	\$2340

## SINGLE-SIDED WITHOUT ACCESS PANELS WITH SURFACE POWER/DATA OPTIONS



Model No.	Description	Option (Suffix)	Wt.	List Price
<b>PM20</b>	Power Module with 2 Power Outlets (Black) and cutout	1	2#	\$293
<b>PM22</b>	Power and Data Surface Module with 2 Power and 2 Data Outlets (Silver only)	2	4#	\$446

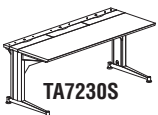
**Order Example:** TA4830SN1 (See module options above)  
 48" x 30" starter without access panels includes (1) PM20 module and cutout in surface on each side of dual workstation.



Model No.	Description	Wt.	List Price
<b>TA4830SN1</b>	48"W x 30"D x 29.5"H Starter w/o access panels/with (1) PM20 and cutouts	160#	\$3026
<b>TA6030SN1</b>	60"W x 30"D x 29.5"H Starter w/o access panels/with (1) PM20 and cutouts	173#	\$3279
<b>TA7230SN1</b>	72"W x 30"D x 29.5"H Starter w/o access panels/with (1) PM20 and cutouts	186#	\$3412
<b>TA4830SN2</b>	48"W x 30"D x 29.5"H Starter w/o access panels/with (1) PM22 and cutouts	164#	\$3166
<b>TA6030SN2</b>	60"W x 30"D x 29.5"H Starter w/o access panels/with (1) PM22 and cutouts	177#	\$3419
<b>TA7230SN2</b>	72"W x 30"D x 29.5"H Starter w/o access panels/with (1) PM22 and cutouts	190#	\$3551
<b>TA4830AN1</b>	48"W x 30"D x 29.5"H Adder w/o access panels/with (1) PM20 and cutouts	144#	\$2349
<b>TA6030AN1</b>	60"W x 30"D x 29.5"H Adder w/o access panels/with (1) PM20 and cutouts	157#	\$2550
<b>TA7230AN1</b>	72"W x 30"D x 29.5"H Adder w/o access panels/with (1) PM20 and cutouts	168#	\$2664
<b>TA4830AN2</b>	48"W x 30"D x 29.5"H Adder w/o access panels/with (1) PM22 and cutouts	148#	\$2489
<b>TA6030AN2</b>	60"W x 30"D x 29.5"H Adder w/o access panels/with (1) PM22 and cutouts	161#	\$2690
<b>TA7230AN2</b>	72"W x 30"D x 29.5"H Adder w/o access panels/with (1) PM22 and cutouts	172#	\$2803

## SINGLE-SIDED WITH ACCESS PANELS

For access panel preconfigured power kits, see page 65.

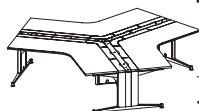


Model No.	Description	Wt.	List Price
<b>TA4830S</b>	48"W x 30"D x 29.5"H Starter w/ access panels	156#	\$2887
<b>TA6030S</b>	60"W x 30"D x 29.5"H Starter w/ access panels	169#	\$3234
<b>TA7230S</b>	72"W x 30"D x 29.5"H Starter w/ access panels	182#	\$3385
<b>TA4830A</b>	48"W x 30"D x 29.5"H Adder w/ access panels	140#	\$2211
<b>TA6030A</b>	60"W x 30"D x 29.5"H Adder w/ access panels	153#	\$2504
<b>TA7230A</b>	72"W x 30"D x 29.5"H Adder w/ access panels	164#	\$2635

# TRANSACTION™ 120 DEGREE 3-POD WORKSTATION

TransAction 120 Degree Workstation unit provides three roomy work units for individuals who require more surface space yet need to be part of a collaborative work unit. Angled acrylic panels divide workspaces visually while allowing for communication among team members. Optional storage towers add a place to put personal and work items without cluttering the work surface.

- Three person workstation pod with access panels for power and data.
- Same beam and trough construction as rectangular modular TransAction.
- Work surfaces are 30" deep and curve in a 120-degree angle.
- Monitor posts can be located on the center core or along the beam between workstations. All attachment hardware included. Units can support attached pedestals, keyboard trays, pencil drawers, and CPU holders. Available in all Mayline Corporate colors, and HPL with knife-edge trim.



TA120S

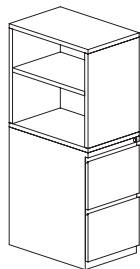
Model No.	Description	Wt.	List Price
<b>TA120S</b>	3 workstations each 30"D x 102"W x 29 1/2"H Joined with a center core that can accommodate an optional monitor post. Tops with access panels to trough.	628#	\$10215

## 120 DEGREE ACCESSORIES/OPTIONS



TAAP5418D

Model No.	Description	Wt.	List Price Each
<b>TAAP5418D</b>	54" Acrylic Divider Panel 18"-10"H. 3 panels would be required to divide the work stations as shown.	12#	\$636
<b>TADC120S</b>	Steel data access channel (in 3 sections)	24#	\$426
<b>TAMSP</b>	Single post – 15"H x 3"Dia.	7 1/4#	\$125
<b>TAM2</b>	Single-monitor arm support – dual extension* 3 arms would be required for a monitor support at each work station.	4 1/2#	\$165
<b>TAST51LF</b>	Storage tower	90#	\$1418
<b>TAETKD60S</b>	Power Kit – Starter 60"*		\$572
<b>TAETKD60A</b>	Power Kit – Adder 60"* 2 Adder Kits would be required in 120 Degree work station.		\$699
<b>TAESC72</b>	Hardwire Starter Cable*		\$178



TAST51LF

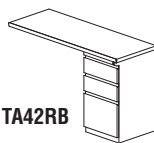
See Typical #7 (page 71) for example of 120 Degree with optional accessories.

\* For drawings and more information for power technology accessories, see page 68.

## RETURNS

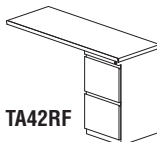
Standard:

- Used to create "L" return.
- Available in 42" and 48" widths.
- Three attached storage options – Box-Box-File or File-File pedestals or a 2-drawer lateral file.
- Returns are non-handed.
- No modesty panel.
- Must attach to workstation/ Not a freestanding unit.
- All attachment hardware included.
- Finishes – refer to page 59.



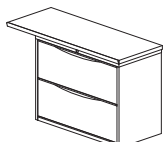
TA42RB

Model No.	Description	Wt.	List Price
<b>TA42RB</b>	42"W x 18"D x 29.5"H return with Pedestal/Box/Box/File	81#	\$640
<b>TA42RF</b>	42"W x 18"D x 29.5"H return with Pedestal/File/File	79#	\$620
<b>TA42RL</b>	42"W x 19"D x 29.5"H return with 2 Drawer Lateral File	139#	\$893



TA42RF

<b>TA48RB</b>	48"W x 18"D x 29.5"H return with Pedestal/Box/Box/File	86#	\$647
<b>TA48RF</b>	48"W x 18"D x 29.5"H return with Pedestal/File/File	84#	\$625
<b>TA48RL</b>	48"W x 18"D x 29.5"H return with 2 Drawer Lateral File	145#	\$896

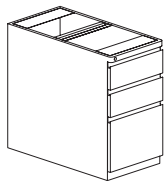


TA42RL

# TRANSACTION™ STORAGE

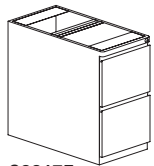
There are a variety of storage options to use with TransAction or other Mayline products. These range from standard height fixed and mobile pedestals and laterals to mobile pedestals and laterals with cushions for extra seating when needed. Storage towers and towers with wardrobe closets are also now available to match Mayline Corporate colors and configurations.

- Mayline "C" pedestals can be attached to TransAction workstations or mobile as required.
- Pedestals have "J" style pulls, full extension ball bearings and locks as standard.
- Support legal and letter filing widths.
- Unique recessed base design allows casters to be added without adding additional height to the pedestal.
- CSII 2-drawer lateral files are used in one return option.
- The complete line of CSII lateral files and bookcases can be added for freestanding storage options.
- Refer to page 48 for information and pricing.

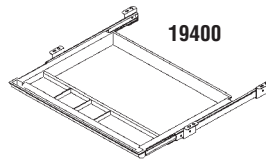


C8817B

Model No.	Description	Wt.	List Price
<b>C8817B</b>	15"W x 17 1/2"D x 28"H <b>B/B/F</b>	50#	\$570
<b>C8817F</b>	15"W x 17 1/2"D x 28"H <b>F/F</b>	48#	\$570
<b>C8817M</b>	17"D – Mobile Kit	28#	\$79
<b>19400</b>	Pencil Drawer – 21"W x 16"D x 2"H – Black only	4#	\$87



C8817F



19400

## TRANSACTION STORAGE

### CUSHION MOBILE PEDESTALS

- Box/File mobile pedestal.
- Counterweight included for stability.
- 1 1/2" cushion attaches to full metal top with dual-lock strips.
- Full pull drawer fronts and top lock strip with handle.
- Black plastic casters (2 locking and 2 non-locking).
- File available in Mayline Corporate colors, including Tech Silver.
- Cushions available in Black (BL) or Gray (GY); for COM fabric, please contact Customer Service for additional price and lead times.

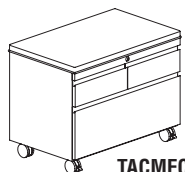


TACMP

Model No.	Description	Dimensions	Wt.	List Price
<b>TACMP</b>	Cushion Mobile Pedestal	23"H x 18 7/8"D x 15 1/4"W	60#	\$931

### CUSHION MOBILE FILE CENTER

- 1 1/2" cushions attached to full metal top with dual-lock strips.
- All drawers feature full extension slides.
- 2 box/1 file drawer configuration only.
- Full pull drawers with top lock strip.
- Black plastic casters (2 locking and 2 non-locking).
- File available in Mayline Corporate colors, including Tech Silver.
- Cushions available in Black (BL) or Gray (GY); for COM fabric, please contact Customer Service for additional price and lead times.

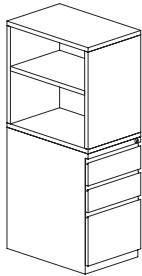


TACMFC

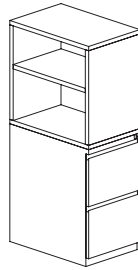
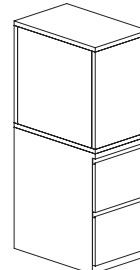
Model No.	Description	Dimensions	Wt.	List Price
<b>TACMFC</b>	Cushion Mobile File Center 2 box drawers/one file drawer	24 1/8"H x 18 3/8"D x 30 1/2"W	120#	\$1675

**BOOKCASE TOWER**

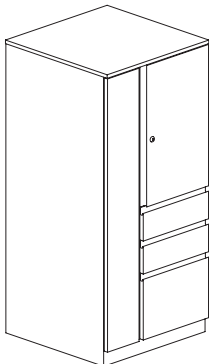
- Storage unit that includes a bookcase and pedestal.
- Steel frame construction is welded and channels are formed in key areas for strength.
- Single adjustable shelf with a load capacity of 61 lbs.
- File/File and Box/Box/File drawer configurations available for tower on right or left side of workstation.
- Full pull drawers with top lock strip.
- All drawers feature full extension slides which include "anti-rebound" and "quick disconnect" features.
- Single key lock included.
- Towers include counterweight to meet ANSI-BIFMA standards for stability.
- Leveling glides allow for 1 5/8" adjustment.

**TAST51LB**

Model No.	Description	Dimensions	Wt.	List Price
<b>TAST51LB</b>	Left facing bookcase/box/box/file ped	51 3/8"H x 23 1/2"D x 15 1/4"W	90#	\$1370
<b>TAST51LF</b>	Left facing bookcase/file/file ped	51 3/8"H x 23 1/2"D x 15 1/4"W	85#	\$1418
<b>TAST51RB</b>	Right facing bookcase/box/box/file ped	51 3/8"H x 23 1/2"D x 15 1/4"W	90#	\$1370
<b>TAST51RF</b>	Right facing bookcase/file/file ped	51 3/8"H x 23 1/2"D x 15 1/4"W	85#	\$1418

**TAST51LF****TAST51RB****TAST51RF****TRANSACTION STORAGE****BOOKCASE WARDROBE TOWER**

- Storage unit that includes a bookcase, wardrobe and pedestal.
- Steel frame construction is welded and channels are formed in key areas for strength.
- Single adjustable shelf with a load capacity of 61 lbs.
- File/File and Box/Box/File drawer configurations available for tower on right or left side of workstation.
- Full pull drawers with lock strip with handle.
- All drawers feature full extension slides which include "anti-rebound" and "quick disconnect" features.
- Tower includes two locks keyed alike.
- Towers include counterweight to meet ANSI-BIFMA standards for stability.
- Leveling glides allow for 1 5/8" adjustment.

**TAST51WLB**

Model No.	Description	Dimensions	Wt.	List Price
<b>TAST51WLB</b>	Coat door left/box/box/file ped	51 3/8"H x 23 1/2"D x 23 1/2"W	162#	\$2145
<b>TAST51WLF</b>	Coat door left/file/file ped	51 3/8"H x 23 1/2"D x 23 1/2"W	159#	\$2072
<b>TAST51WRB</b>	Coat door right/box/box/file ped	51 3/8"H x 23 1/2"D x 23 1/2"W	162#	\$2145
<b>TAST51WRF</b>	Coat door right/file/file ped	51 3/8"H x 23 1/2"D x 23 1/2"W	159#	\$2072

# TRANSACTION™ DESKING POWER OPTIONS

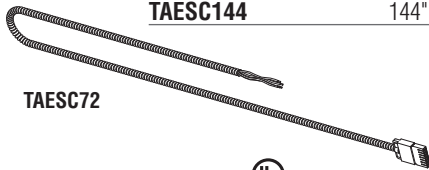
## Standard Power Options:

- UL Recognized and CSA Certified Components.
- Convenient kits provide easy specifying.
- Additional options available upon special request to meet your requirements.
- Maximum of 80 receptacles per 4-circuit starter (10 dual-sided/20 single-sided); 8 receptacles per dual-sided block; 4 receptacles per single-sided block.
- It is the customer's responsibility to ensure that the use of electrical systems including the number of receptacles on a given circuit and connection to building power source, be in compliance with all electrical codes.

## POWER INFED OPTIONS

- All circuits rated for 20 AMPS and are energized; includes female connector, length of flex cable and box connector.
- Up to 10 power blocks per hardwire cable.

Model No.	Description	List Price
TAESC72	72" Hardwire Starter Cable	\$178
TAESC108	108" Hardwire Starter Cable	\$230
TAESC144	144" Hardwire Starter Cable	\$281

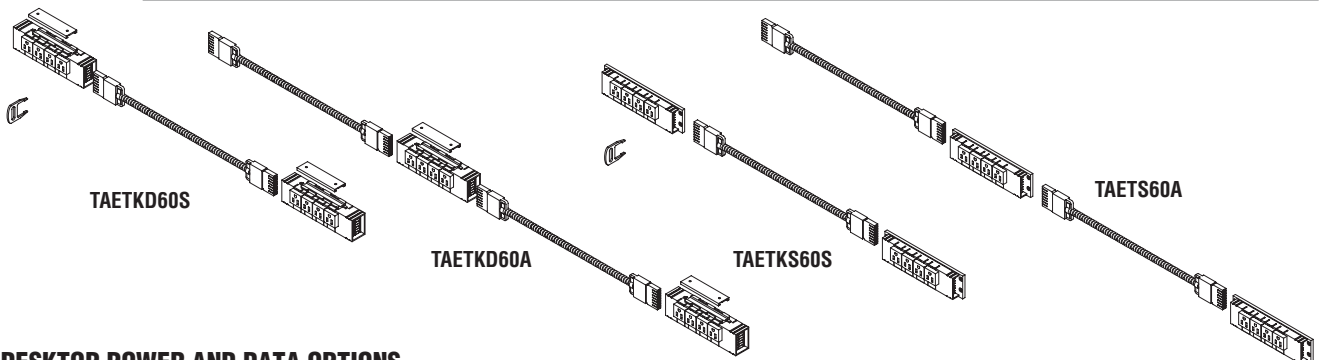


TAESC72

## DESKING POWER KITS

- All preconfigured power kits include (2) 8-wire 4-circuit double duplex single- or double-sided power blocks, appropriate length interconnecting cables, mounting brackets and simplex removal tools and brackets as needed for ease of layout and installation.
- Special order systems available upon request.

Model No.	Description	List Price
TAETKD48S	48" Double-Sided/Double Block Starter Kit	\$543
TAETKD60S	60" Double-Sided/Double Block Starter Kit	\$572
TAETKD72S	72" Double-Sided/Double Block Starter Kit	\$589
TAETKD48A	48" Double-Sided/Double Block Adder Kit	\$670
TAETKD60A	60" Double-Sided/Double Block Adder Kit	\$699
TAETKD72A	72" Double-Sided/Double Block Adder Kit	\$716
TAETKS48S	48" Single-Sided/Double Block Starter Kit	\$387
TAETKS60S	60" Single-Sided/Double Block Starter Kit	\$417
TAETKS72S	72" Single-Sided/Double Block Starter Kit	\$434
TAETKS48A	48" Single-Sided/Double Block Adder Kit	\$513
TAETKS60A	60" Single-Sided/Double Block Adder Kit	\$544
TAETKS72A	72" Single-Sided/Double Block Adder Kit	\$561



TAETKD60S

TAETKD60A

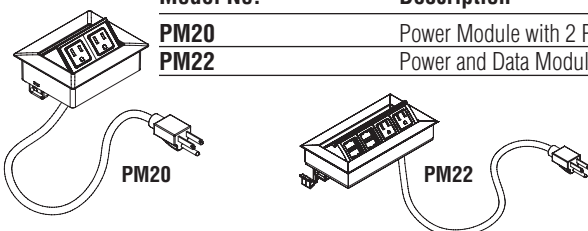
TAETKS60S

TAETS60A

## DESKTOP POWER AND DATA OPTIONS

Mayline's desktop power and data options easily install using cutting templates included with each module. Field cut and installed. For units including precut holes and power modules, see pages 60 and 61 for pricing.

Model No.	Description	Wt.	List Price
PM20	Power Module with 2 Power Outlets (Black)	2#	\$293
PM22	Power and Data Module with 2 Power and 2 Data Outlets (Silver)	4#	\$446



PM20

PM22

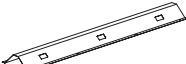


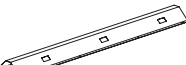




# TRANSACTION™ DATA CHANNEL OPTION







TransAction Data Channels provide a separation between power and data in the desking trough.

- Available in single- and dual-sided starter and adder channels.
- 48" channels standard with two data openings; 60" and 72" channels standard with three openings.
- Blank face plates included for openings where telecom plates are not installed.
- Easy to install. May be added to existing TransAction installations.
- Channels standard in black finish only.
- **Telecom plates are not included in data channel price; must be ordered separately.**
- For telecom plate options, see page 67.

## DUAL-SIDED DATA CHANNELS

Model No.	Description	Wt.	List Price
 TADC48DS	11"W x 42"D x 3 1/2"H Starter Channel.	6#	\$170
 TADC60DS	11"W x 54"D x 3 1/2"H Starter Channel.	8#	\$182
 TADC72DS	11"W x 66"D x 3 1/2"H Starter Channel.	9#	\$193
 TADC48DA	11"W x 46"D x 3 1/2"H Adder Channel.	7#	\$170
 TADC60DA	11"W x 58"D x 3 1/2"H Adder Channel.	8#	\$182
 TADC72DA	11"W x 70"D x 3 1/2"H Adder Channel.	10#	\$193

## SINGLE-SIDED DATA CHANNELS








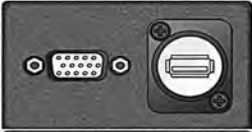



Model No.	Description	Wt.	List Price
 TADC48SS	7"W x 42"D x 1"H Starter Channel.	3#	\$85
 TADC60SS	7"W x 54"D x 1"H Starter Channel.	4#	\$91
 TADC72SS	7"W x 66"D x 1"H Starter Channel.	5#	\$96
 TADC48SA	7"W x 46"D x 1"H Adder Channel.	4#	\$85
 TADC60SA	7"W x 58"D x 1"H Adder Channel.	5#	\$91
 TADC72SA	7"W x 70"D x 1"H Adder Channel.	6#	\$96

## 120 DEGREE DATA CHANNEL KIT

Model No.	Description	Wt.	List Price
TADC120S	3 Section dual-sided Data Channel 11"W x 54"D x 3 1/2"H Starter Channel.	23#	\$426

**INDIVIDUAL TELECOM PLATE OPTIONS**

- Ten commonly used telecom connections are offered to complete the technology requirements of conference tables or TransAction desking data channel.
- Six telecom plate openings per conference table well.
- Two (48" channel) and three (60" and 72" channel) openings per side of data channel.
- Black only.
- Common Telecom Definitions:
  - HDMI** (High Definition Multi-Media Interface) – Used to stream video on devices such as televisions or Blu-Ray DVD players.
  - 15 pin HD VGA F/F** (High Definition Video Graphics Array) – Used to stream video usually found on a laptop or projector.
  - Mini Stereo Inline Audio Connection** (also called a 1/8" phone jack or headphone jack) – Runs audio from computers and mp3 players.
  - USB** (Universal Serial Bus) – Connects computer peripherals such as mouse or keyboard to a computer.
- **Additional options available upon request.**



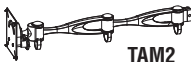
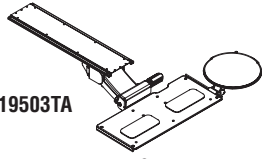
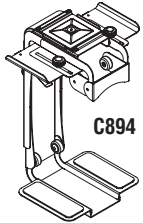
	<b>Model No.</b>	<b>Description</b>	<b>List Price</b>
	<b>TAETP1</b>	Telecom Plate with RJ11Cat3 Phone and RJ45 CAT6 Data	\$114
	<b>TAETP2</b>	Telecom Plate with 2 RJ45 Cat6 Data	\$150
	<b>TAETP3</b>	Telecom Plate with 3 RJ45 Cat6 Data	\$220
	<b>TAETP4</b>	Telecom Plate with RJ45 Cat6 Data, Mini Stereo Inline, and 15 Pin HD, VGA F/F	\$249
	<b>TAETP5</b>	Telecom Plate with 2 RJ45 Cat6 Data and 15 Pin HD VGA F/F	\$271
	<b>TAETP6</b>	Telecom Plate with 1 HDMI F/F, 1 Mini Stereo Inline and 1 15 Pin, HD VGA F/F	\$331
	<b>TAETP7</b>	Telecom Plate with USB Inline	\$64
	<b>TAETP8</b>	Telecom Plate with USB Inline and 15 Pin HD VGA F/F	\$185
	<b>TAETP9</b>	Telecom Plate with 2 - 15 Pin HD VGA F/F	\$252
	<b>TAETP10</b>	Telecom Plate with USB Inline, 15 Pin HD VGA F/F, and Mini Stereo Inline	\$233

# TRANSACTION™ DESKING ACCESSORIES

## TECHNOLOGY ACCESSORIES

### Mayline introduces a new line of flat screen monitor mounting system.

- Extruded aluminum posts with removable cap for easy access to mount monitor arms.
- User friendly posts and arms provide easy adjustments of heights and viewing angles on flat screen monitors.
- Monitor arm posts bolt securely to center beam.
- Multiple attachment locations available along the beam structure (square opening).
- TAM2 will support up to 8 monitor supports.
- Two available heights, 15"H and 29 1/2"H to meet needs for varying number and positions of monitors.
- Monitor arm supports attach easily to the post by sliding clamp down one of the post's vertical channels, positioning it at desired height and tightening at that position with an easy-to-use lever.
- Cable management and mounting hardware included.
- Mounts are only compatible with VESA compliant monitors using 100mm x 100mm or 75mm x 75mm mounting location and with a max weight of 18 lbs.
- Mounting System of posts and supports can be affixed to other product lines such as CSII, VariTask and TechWorks.






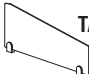

	Model No.	Description	Wt.	List Price
	TAMSP	Single Post – 15"H x 3" Diameter	7.25 #	\$125
	TAMDP	Dual Post – 29 1/2"H x 3" Diameter	5.5 #	\$187
	TAM2	Single Monitor Support – Dual 18 1/2" extension	4.5#	\$165
	19503TA	Combination keyboard/mouse platform 19"W x 8 1/4"D, 9"Dia. mouse platform	15#	\$545
	C894	CPU Holder – CPU width plus 3 1/2" x 16"D x CPU height plus 4 1/2"	20#	\$304

*Available in Black Only.*

## ACRYLIC PRIVACY SCREENS

### Standard:

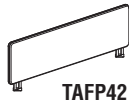
- Stylish frosted screens with flame polished edges to give the appearance of glass.
- Standard in Green Crystal Ice Acrylic/frosted on both sides - other colors, shapes, and sizes available as specials with extended lead times.
- Standard lead time is 4 weeks.
- Screens available as space dividers and for limited privacy.
- Overall screen height with bracket 12 1/4".
- Left-to-Right Screens rectangular; Front-to-Back Divider Screens angle from 7 1/2" on front edges to 11 1/2" in the center.
- Zinc alloy brackets in satin silver included with screens.

	Model No.	Description	Wt.	List Price
	TAAP24	24"W x 1/4"D x 11 1/2"H Frosted Acrylic Screen	5#	\$176
	TAAP30	30"W x 1/4"D x 11 1/2"H Frosted Acrylic Screen	6#	\$216
	TAAP42	42"W x 1/4"D x 11 1/2"H Frosted Acrylic Screen	8#	\$335
	TAAP54	54"W x 1/4"D x 11 1/2"H Frosted Acrylic Screen	9#	\$556
	TAAP66	66"W x 1/4"D x 11 1/2"H Frosted Acrylic Screen	10#	\$565
<i>*Screens attach to beam at multiple connection points with brackets</i>				
	TAAP30D	30"W x 1/4"D x 7 1/2" - 11 1/2"H Frosted Acrylic Divider Screen	6#	\$225
	TAAP60D	60"W x 1/4"D x 7 1/2" - 11 1/2"H Frosted Acrylic Divider Screen	10#	\$533
<i>**Center of screen attaches to beam/ front of screen utilizes anti-skid application on bottom of bracket – Does <b>NOT</b> attach to surface.</i>				

## FABRIC PRIVACY PANEL

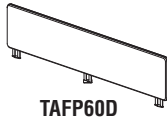
Standard:

- Tackable eco-friendly divider panels.
- Left -to-Right and Front- to- Back panels available for division of space and moderate privacy.
- Uniquely styled painted-steel panel brackets included in appropriate numbers with each panel.
- Panels slide over support bracket and are bolted to the beam with one bracket while the front edge bracket is secured with non-skid tape (not attached to the work surface).
- Overall panel height when mounted on bracket – 13 1/2".
- Panel trimmed in 1/4" coordinating t-mold (default colors selected unless otherwise specified) – 5 standard colors including new Tech Silver.
- Panel lead times affected by fabric availability.
- Attachment hardware included.



Model No.	Description	Wt.	List Price
<b>Left-to-Right Panels*</b>			
TAFP24	24"W x 1"D x 11 1/2"H Fabric Panel w/T-mold	7#	\$476
TAFP30	30"W x 1"D x 11 1/2"H Fabric Panel w/T-mold	9#	\$510
TAFP42	42"W x 1"D x 11 1/2"H Fabric Panel w/T-mold	11#	\$600
TAFP54	54"W x 1"D x 11 1/2"H Fabric Panel w/T-mold	13#	\$703
TAFP66	66"W x 1"D x 11 1/2"H Fabric Panel w/T-mold	15#	\$782

\*Panels attach to beam at multiple connection points



Model No.	Description	Wt.	List Price
<b>Front-to- Back Divider Panels**</b>			
TAFP30D	30"W x 1"D x 11 1/2"H Fabric Divider Panel w/T-mold	9#	\$582
TAFP60D	60"W x 1"D x 11 1/2"H Fabric Divider Panel w/T-mold	15#	\$878

\*\*Back of panel attaches to beam/ front of panel utilizes anti-skid application on foot- does NOT attach to surface.

## HOW TO ORDER TRANSACTION FABRIC PRIVACY PANELS

### FABRIC PANEL OPTIONS

When ordering fabric panels, use the code at right to indicate your fabric option:

Any additional Guilford of Maine fabrics are available with a maximum 4-week production lead time for a nominal upcharge. Contact a Mayline customer service representative for more information.

### T A F P 3 0 D C R A

Product Code	Fabric Option

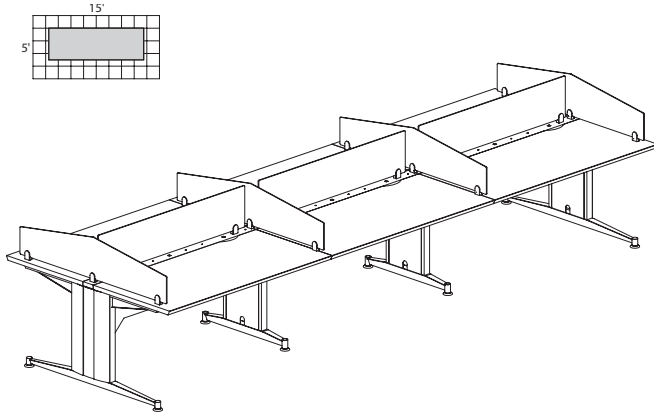
### T-Mold Options

- Ice Gray \_\_\_\_\_
- Warm Gray \_\_\_\_\_
- Silver \_\_\_\_\_
- Taupe \_\_\_\_\_
- Black \_\_\_\_\_

### Corporate Fabrics

Fabric Color	Order Code	Fabric Color	Order Code
<b>Spinel</b>		<b>Cross Town</b>	
Tiger Eye	STY	Buff	CBF
Sand Stone	SSS	Ray	CRA
Guilden	SGL	Fieldstone	CFS
<b>Lido</b>		<b>Anchorage</b>	
Balboa	BAL	Goose	AGS
Heartland	LHL	<b>Bailey</b>	
Bryce Canyon	LBC	Khaki	BKH
<b>Mingle</b>		<b>Hopscotch</b>	
Crystal	MCT	Fieldstone	HFS
Khaki	MHK		
Biscuit	MBT		

# TRANSACTION™ TYPICALS



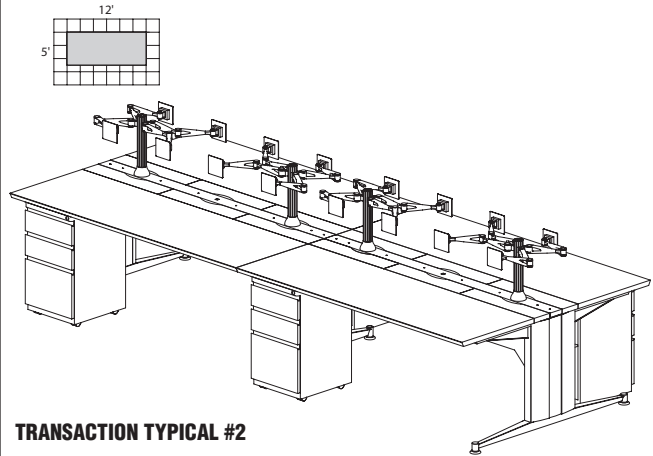
## TRANSACTION TYPICAL #1

Consists of:

QTY.	MODEL NO.	DESCRIPTION	LIST PRICE EACH
1	TA6060SN	60"W x 60"D x 29"H Starter w/o access panels	\$3797
2	TA6060AN	60"W x 60"D x 29"H Adder w/o access panels	\$3038
3	TAAP54	54"W x 1/4"D x 11 1/2"H Frosted Acrylic Screen	\$556
4	TAAP60D	60"W x 1/4"D x 7 1/2" - 11 1/2"H Frosted Acrylic Divider Screen	\$533

TRANT1

**TOTAL: \$13673**



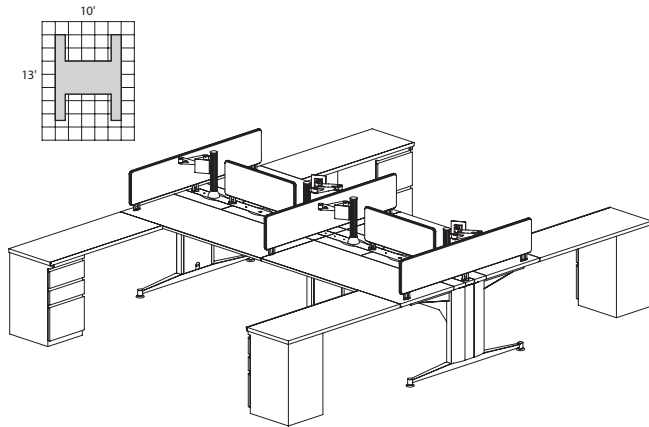
## TRANSACTION TYPICAL #2

Consists of:

QTY.	MODEL NO.	DESCRIPTION	LIST PRICE EACH
1	TA7260S	72"W x 60"D x 29"H Starter w/access panels	\$4575
1	TA7260A	72"W x 60"D x 29"H Adder w/access panels	\$3794
4	C8817B	15"W x 17 1/2"D x 28"H B/B/F	\$570
4	TAMSP	Single Post - 15"H x 3" Diameter	\$125
16	TAM2	Dual Arm Monitor Support - 18 1/2" extension	\$165

TRANT2

**TOTAL: \$13689**



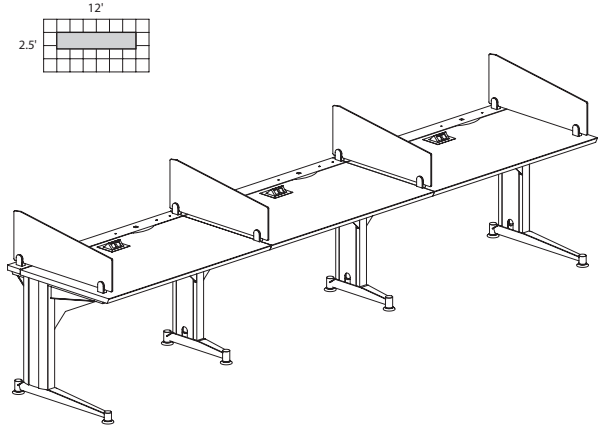
## TRANSACTION TYPICAL #3

Consists of:

QTY.	MODEL NO.	DESCRIPTION	LIST PRICE EACH
1	TA6060S	60"W x 60"D x 29"H Starter w/access panels	\$4357
1	TA6060A	60"W x 60"D x 29"H Adder w/access panels	\$3609
4	TA48RB	48"W x 18"D x 29"H return with Pedestal/Box/Box/File	\$647
2	TAFP30	30"W x 1"D x 11 1/2"H Fabric Panel w/T-mold	\$510
3	TAFP60D	60"W x 1"D x 11 1/2" H Fabric Divider Panel w/T-mold	\$878
4	TAMSP	Single Post - 15"H x 3" Diameter	\$125
4	TAM2	Dual Arm Monitor Support - 18 1/2" extension	\$165

TRANT3

**TOTAL: \$15368**



## TRANSACTION TYPICAL #4

Consists of:

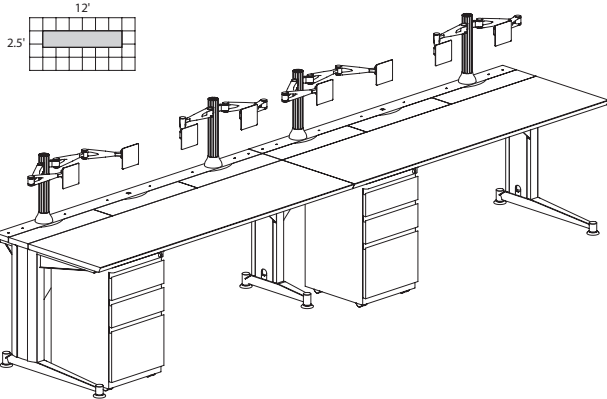
QTY.	MODEL NO.	DESCRIPTION	LIST PRICE EACH
1	TA4830SN	48"W x 30"D x 29"H Starter w/o access panels	\$2702
2	TA4830AN	48"W x 30"D x 29"H Adder w/o access panels	\$2026
3	PM20	Power Module with 2 Per Outlets (Black)	\$293
4	TAAP30D	24"W x 1/4"D x 7 1/2" - 11 1/2" H Frosted Acrylic Divider Screen	\$225

TRANT4

**TOTAL: \$8494**



**TRANSACTION™ SERIES TYPICALS**



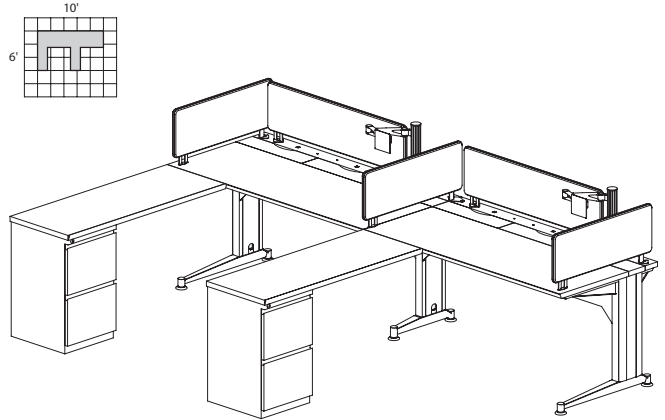
**TRANSACTION TYPICAL #5**

Consists of:

QTY.	MODEL NO.	DESCRIPTION	LIST PRICE EACH
1	TA7230S	72"W x 30"D x 29"H Starter w/access panels	\$3385
1	TA7230A	72"W x 30"D x 29"H Adder w/access panels	\$2635
2	C8817B	15"W x 17 1/2"D x 28"H B/B/F	\$570
4	TAMSP	Single Post - 15"H x 3" Diameter	\$125
8	TAM2	Dual Arm Monitor Support - 18 1/2" extension	\$165

**TRANT5**

**TOTAL: \$8930**



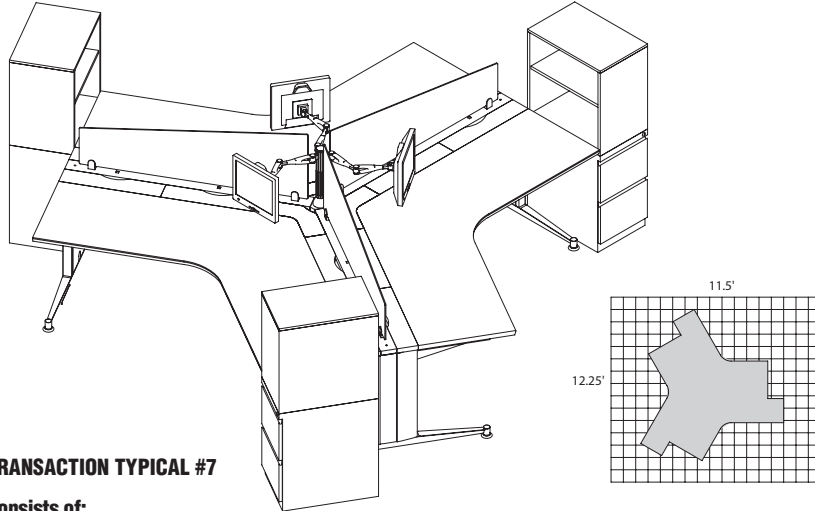
**TRANSACTION TYPICAL #6**

Consists of:

QTY.	MODEL NO.	DESCRIPTION	LIST PRICE EACH
1	TA6030S	60"W x 30"D x 29"H Starter w/access panels	\$3234
1	TA6030A	60"W x 30"D x 29"H Adder w/access panels	\$2504
2	TA42RF	42"W x 18"D x 29"H return with Pedestal/File/File	\$620
3	TAFP30D	30"W x 1"D x 11 1/2" H Fabric Divider Panel w/T-mold	\$582
2	TAFP42	42"W x 1"D x 11 1/2" H Fabric Panel w/T-mold	\$600
2	TAMSP	Single Post - 15"H x 3" Diameter	\$125
2	TAM2	Dual Arm Monitor Support - 18 1/2" extension	\$165

**TRANT6**

**TOTAL: \$10504**



**TRANSACTION TYPICAL #7**

Consists of:

QTY.	MODEL NO.	DESCRIPTION	LIST PRICE EACH
1	TA120S	120-Degree 3-Pod Workstation 30"D x 102"W x 29 1/2"H	\$10215
1	TAETKD60S	Power Kit – Starter 60"	\$572
2	TAETKD60A	Power Kit – Adder 60"	\$699
1	TAESC72	Hardwire Starter Cable	\$178
1	TADC120S	Steel Data Access Channel (in 3 sections)	\$426
3	TAETP1	Telecom Plate with RJ11 CAT3 Phone and RJ45 CAT6 Data	\$114
3	TAETP2	Telecom Plate with 2 RJ45 CAT6 Data	\$150
3	TAETP8	Telecom Plate with 1 15-Pin HD VGA	\$185
1	TAMSP	Single Post – 15"H x 3"Dia.	\$125
3	TAM2	Single-Monitor Arm Support – Dual Extension	\$165
3	TAAP5418D	54" Acrylic Divider Panel 18"-10"H	\$636
3	TAST51LF	Storage Towers	\$1418

**TRANT7**

**TOTAL: \$20918**

# TRANSACTION™

## CONFERENCE TABLES

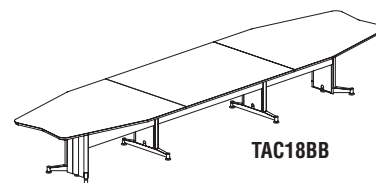
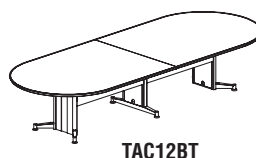


TransAction's great style and smart design is perfect for today's multi-media conference rooms. Full size tables in three shapes in over 600 high-pressure laminates to complete your high-tech conference room. A full technology trough and surface opening with floating acrylic cover allow the power and data required for today's tech intensive meetings to be easily accessible yet concealed.

- Three shapes of conference surfaces: Boat-shaped, Rectangular, Racetrack
- Stylish heavy steel base and leg panels available in Mayline Corporate colors including new Tech Silver with leg inserts to match the table surface laminate or veneer.
- Tops constructed of 1 1/8" thick high-pressure laminate with knife-edge T-mold. Biltmore Cherry and Witchcraft laminates match Aberdeen Conference Accessories.
- Technology intensive table includes under-table trough and surface opening with acrylic cover; basic table also available without technology trough.
- 8' and 10' tables have two starter legs with one trough opening/cover; 12' table has two starter legs, one adder support leg and two trough openings/covers. Additional support leg and trough opening/cover per 6' section.
- All tables 29.5" in height.
- Power and data components ordered separately.

### BASIC TABLES – HPL – No technology trough or opening. Preconfigured Power Kits CANNOT be installed.

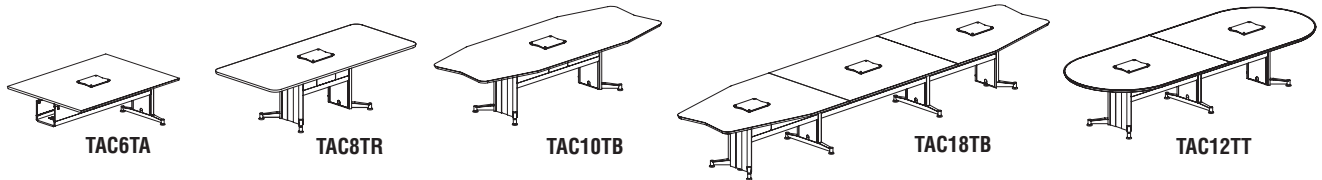
Model No.	Description	Weight	Suggested Seating Capacity	List Price
<b>TAC8BB</b>	96" x 42" Boat-Shaped	229#	6-8	\$3047
<b>TAC8BR</b>	96" x 42" Rectangular	229#	6-8	\$3047
<b>TAC8BT</b>	96" x 42" Racetrack	229#	6-8	\$3047
<b>TAC10BB</b>	120" x 48" Boat-Shaped	311#	8-10	\$3808
<b>TAC10BR</b>	120" x 48" Rectangular	311#	8-10	\$3808
<b>TAC10BT</b>	120" x 48" Racetrack	311#	8-10	\$3808
<b>TAC12BB</b>	144" x 54" Boat-Shaped	400#	10-12	\$5090
<b>TAC12BR</b>	144" x 54" Rectangular	400#	10-12	\$5090
<b>TAC12BT</b>	144" x 54" Racetrack	400#	10-12	\$5090
<b>TAC18BB</b>	216" x 54" Boat-Shaped	591#	14-16	\$7298
<b>TAC18BR</b>	216" x 54" Rectangular	591#	14-16	\$7298
<b>TAC18BT</b>	216" x 54" Racetrack	591#	14-16	\$7298
<b>TAC24BB</b>	288" x 54" Boat-Shaped	782#	16-20	\$9506
<b>TAC24BR</b>	288" x 54" Rectangular	782#	16-20	\$9506
<b>TAC24BT</b>	288" x 54" Racetrack	782#	16-20	\$9506
<b>TAC6BA</b>	72" x 54" Complete Adder – Applicable to any shape top	191#	2-4	\$2208



## TRANSACTION™ SERIES CONFERENCE TABLES

### TECHNOLOGY INTENSIVE HPL TABLES

Model No.	Description	Weight	Suggested Seating Capacity	List Price
<b>TAC8TB</b>	96" x 42" Boat-Shaped	229#	6-8	\$4296
<b>TAC8TR</b>	96" x 42" Rectangular	229#	6-8	\$4296
<b>TAC8TT</b>	96" x 42" Racetrack	229#	6-8	\$4296
<b>TAC10TB</b>	120" x 48" Boat-Shaped	311#	8-10	\$5374
<b>TAC10TR</b>	120" x 48" Rectangular	311#	8-10	\$5374
<b>TAC10TT</b>	120" x 48" Racetrack	311#	8-10	\$5374
<b>TAC12TB</b>	144" x 54" Boat-Shaped	440#	10-12	\$7695
<b>TAC12TR</b>	144" x 54" Rectangular	440#	10-12	\$7695
<b>TAC12TT</b>	144" x 54" Racetrack	440#	10-12	\$7695
<b>TAC18TB</b>	216" x 54" Boat-Shaped	669#	14-16	\$10680
<b>TAC18TR</b>	216" x 54" Rectangular	669#	14-16	\$10680
<b>TAC18TT</b>	216" x 54" Racetrack	669#	14-16	\$10680
<b>TAC24TB</b>	288" x 54" Boat-Shaped	898#	16-20	\$13489
<b>TAC24TR</b>	288" x 54" Rectangular	898#	16-20	\$13489
<b>TAC24TT</b>	288" x 54" Racetrack	898#	16-20	\$13489
<b>TAC6TA</b>	72" x 54" Complete Adder – Applicable to any shape top	229#	2-4	\$2985



## NEW TRANSACTION™ MEDIA TABLES

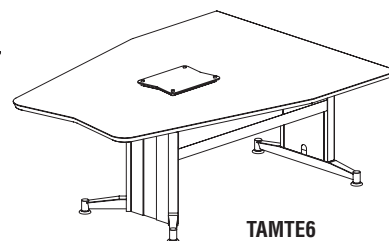
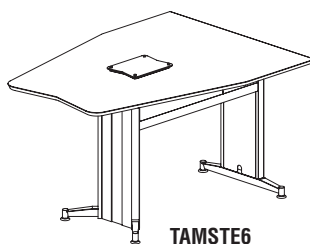
TransAction's boat-shaped Media Table offers a perfect solution for collaborative meetings requiring data and power connectivity and flexibility.

- Boat-shaped table available in Standing Height 42" or Sitting Height 29 1/2".
- Models available with or without power and data package.
- Optional power and data package includes:
  - 1–Single technology well power kit – single circuit
  - 3–Telecom plates – RJ11 CAT3 Phone and RJ45 CAT6 Data, USB, USB & 15 Pin-HD VGA F/F
  - 1–Plug-in power cord infeed 72" long – single circuit
- Other telecom plate options available as well as hardwire infeed. Call Ext. 222 in Customer Service for assistance.
- Contemporary styling, durable construction at an affordable price.
- Heavy-gauge steel table frames.
- Available in all Mayline high-pressure laminate surfaces.
- Biltmore Cherry and Witchcraft laminates match Aberdeen Conference Accessories.
- Limited Lifetime Warranty.

Model No.	Description	Wt.	List Price
<b>TAMST6</b>	54"W x 72"L x 42"H Standing Height Table	254#	\$4269
<b>TAMSTE6</b>	54"W x 72"L x 42"H Standing Height Table w/ power and data package	269#	\$5312
<b>TAMT6</b>	54"W x 72"L x 29 1/2"H Sitting Height Table	229#	\$3881
<b>TAMTE6</b>	54"W x 72"L x 29 1/2"H Sitting Height Table w/ power and data package	244#	\$4924



*TransAction Media Table shown with Aberdeen Conference Accessories.*



# TRANSACTION™

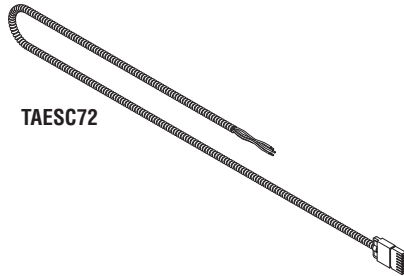
## CONFERENCE TABLE POWER/TELECOM OPTIONS

- UL Recognized and CSA Certified Components.
- Convenient kits provide easy specifying.
- Ten Telecom Plate Options sold individually; others available upon request.
- Power and Telecom Plates are installed in trough panel.
- Additional options available upon special request to meet your requirements.
- Kits must be used with Mayline Hardwire Starter Cable.
- **Power Kits CANNOT be installed into Basic TransAction Conference Tables.**
- It is the customer's responsibility to ensure that the use of electrical systems, including the number of receptacles on a given circuit, and connection to building power source, be in compliance with all electrical codes.

### POWER INFED OPTIONS

- All circuits rated for 20 AMPS and are energized; includes female connector, length of flex cable and box connector.
- Up to 10 power blocks can be linked per hardwire cable.

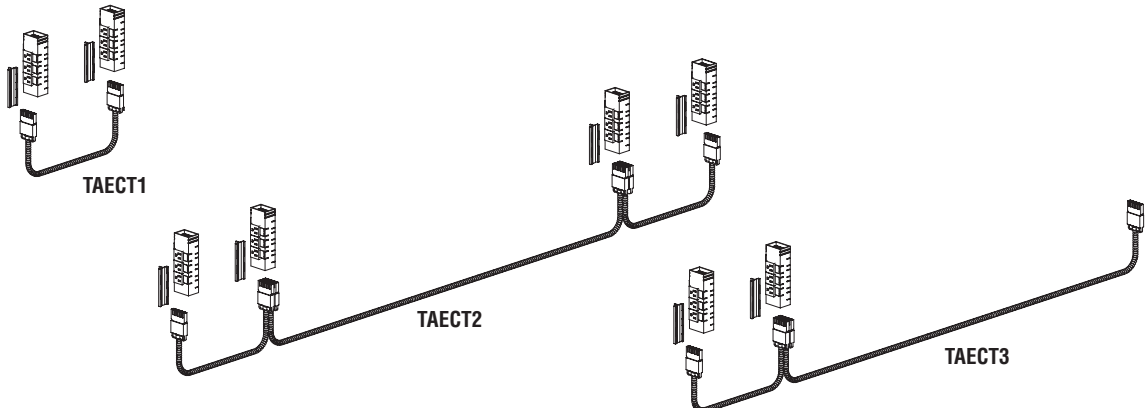
Model No.	Description	List Price
TAESC72	72" Hardwire Starter Cable	\$178
TAESC108	108" Hardwire Starter Cable	\$230
TAESC144	144" Hardwire Starter Cable	\$281



TAESC72

### PRECONFIGURED CONFERENCE POWER KITS

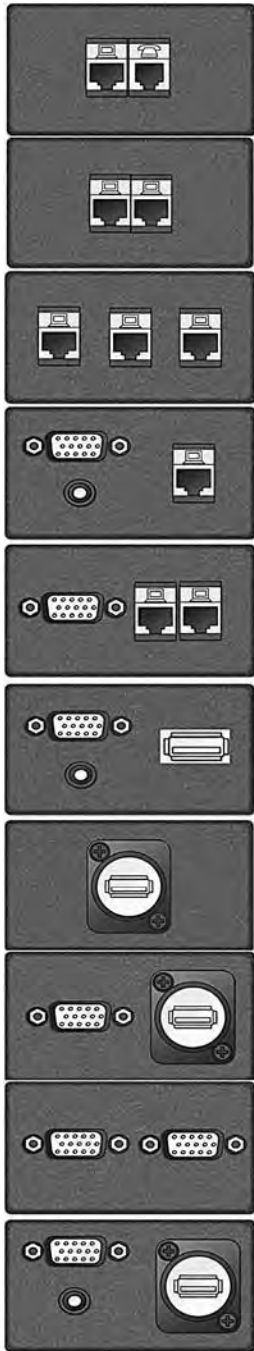
Model No.	Description	List Price
TAECT1	Single Technology Well Kit - for Single Well 8' and 10' tables. (2) Double sided power block with circuit 1, 2 and IG receptacles on each side, (2) mounting bracket for block, (1) 24" 8 wire 4 circuit interconnecting cable	\$426
TAECT2	Dual Technology Well Kit - for 12' Technology Conference Tables and larger. (4) Double sided power block with circuit 1, 2 and IG receptacles on each side, (2) mounting bracket for block, (2) 26" 8 wire 4 circuit interconnecting cable, (1) 68" 8 wire 4 circuit interconnecting cable, (1) simplex removal tool	\$1020
TAECT3	6' Adder Conference Table Kit - add one Kit for each 6' Adder plus TAECT2. (2) Double sided power block with circuit 1, 2 and IG receptacles on each side, (2) mounting bracket for block, (1) 26" 8 wire 4 circuit interconnecting cable, (1) 68" 8 wire 4 circuit interconnecting cable (For example: a TAC24TB will require one TAECT2 Kit and two TAECT3 Kits.)	\$596





## INDIVIDUAL TELECOM PLATE OPTIONS

- Ten commonly used telecom connections are offered to complete the technology requirements of conference tables or TransAction desking data channel.
- Six telecom plate openings per conference table well.
- Two (48" channel) and three (60" and 72" channel) openings per side of data channel.
- Black only.
- Common Telecom Definitions:
  - HDMI** (High Definition Multi-Media Interface) – Used to stream video on devices such as televisions or Blu-Ray DVD players.
  - 15 pin HD VGA F/F** (High Definition Video Graphics Array) – Used to stream video usually found on a laptop or projector.
  - Mini Stereo Inline Audio Connection** (also called a 1/8" phone jack or headphone jack) – Runs audio from computers and mp3 players.
  - USB** (Universal Serial Bus) – Connects computer peripherals such as mouse or keyboard to a computer.
- **Additional options available upon request.**



Model No.	Description	List Price
<b>TAETP1</b>	Telecom Plate with RJ11Cat3 Phone and RJ45 CAT6 Data	\$114
<b>TAETP2</b>	Telecom Plate with 2 RJ45 Cat6 Data	\$150
<b>TAETP3</b>	Telecom Plate with 3 RJ45 Cat6 Data	\$220
<b>TAETP4</b>	Telecom Plate with RJ45 Cat6 Data, Mini Stereo Inline, and 15 Pin HD, VGA F/F	\$249
<b>TAETP5</b>	Telecom Plate with 2 RJ45 Cat6 Data and 15 :in HD VGA F/F	\$271
<b>TAETP6</b>	Telecom Plate with 1 HDMI F/F, 1 Mini Stereo Inline and 1 15 Pin, HD VGA F/F	\$331
<b>TAETP7</b>	Telecom Plate with USB Inline	\$64
<b>TAETP8</b>	Telecom Plate with USB Inline and 15 Pin HD VGA F/F	\$185
<b>TAETP9</b>	Telecom Plate with 2 - 15 Pin HD VGA F/F	\$252
<b>TAETP10</b>	Telecom Plate with USB Inline, 15 Pin HD VGA F/F, and Mini Stereo Inline	\$233

# VARITASK® LT-SERIES



**Drive System:** 110V, 60Hz AC input, 12V DC motor. 120 lb. capacity. Draws 1.6 amps under full load.

**Travel Range:** 16.5" of vertical adjustment from 25" to 41.5"; Full travel time is 13 seconds.

**Keyboard Surface:** DataCenter mechanism adjusts from 8" below to 7" above work surface and has a +15° to -15° tilt.

**Work Surface:** Thermally-fused laminate with T-mold edge is standard. Add "L" suffix for high pressure laminate with T-mold edge (prices shown).

**DataCenter Surface:** 11"D x 27"W (minimum) for rectangular surfaces. 11.5"D x 15"W (minimum) for corner surfaces.

**Base Color:** List prices shown are for black bases. The non-adjustable portion of the base can be painted in any of our Corporate Colors for a \$50 List upcharge. Add a "C" suffix after the part number if interested.

**Meets ADA standards.**

DESKING

CASEGOODS

CONFERENCE &  
TRAINING TABLES

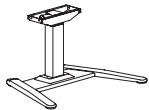
SEATING

STORAGE &  
FILING

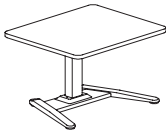
SPECIALTY  
SOLUTIONS

COM  
FORMS

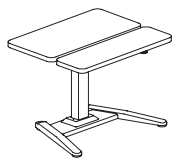
PRODUCT  
INDEX



Model No.	Description	Wt.	List Price (Black Base Only)	
<b>VariTask® LT-Series Base Only</b>				
6049	Base only	55#	\$1045	

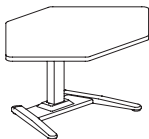


Model No.	Description	Wt.	TFL List Price	HPL List Price
<b>VariTask® LT-Series - Single surface rectangular.</b>				
"L" Suffix				
604LT	36" x 24"	100#	\$1545	\$1664
605LT	36" x 30"	103#	\$1592	\$1719
609LT	42" x 24"	103#	\$1638	\$1764
610LT	42" x 30"	107#	\$1668	\$1804

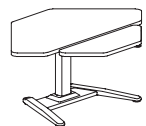


Model No.	Description	Wt.	TFL List Price	HPL List Price
<b>VariTask® LT-Series - Dual surface with 11"D DataCenter Keyboard Mechanism.</b>				
"L" Suffix				
605LTW	36" x 30"	124#	\$2169	\$2296
610LTW	42" x 30"	129#	\$2211	\$2347

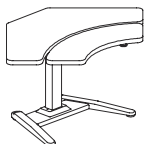
**Note:** DataCenter keyboard mechanisms are available for \$700 list each. Please see page 80 for more details.



Model No.	Description	Wt.	TFL List Price	HPL List Price
<b>VariTask® LT-Series - Single surface corner.</b>				
"L" Suffix				
645LT	36" x 24"	110#	\$1692	\$1810
655LT	42" x 24"	115#	\$1768	\$1895
650LT	42" x 30"	119#	\$1777	\$1914



Model No.	Description	Wt.	TFL List Price	HPL List Price
<b>VariTask® LT-Series - Corner Dual Surface with DataCenter Keyboard Mechanism.</b>				
"L" Suffix				
652LTW	36" x 24"	125#	\$2248	\$2383
655LTW	42" x 24"	130#	\$2373	\$2530
657LTW	42" x 30"	134#	\$2399	\$2556



Model No.	Description	Wt.	TFL List Price	HPL List Price
<b>VariTask® LT-Series - Curved Corner Dual Surface with DataCenter Keyboard Mechanism.</b>				
"L" Suffix				
685LTW	42" x 24"	135#	\$2316	\$2447
687LTW	42" x 30"	139#	\$2341	\$2471

# VARITASK® E-SERIES



GSA

**Drive System:** 110V, 60 H input, 24V DC motor. 150 lb. capacity. Draws 1.2 amps under full load.

**Travel Range:** 16" of vertical adjustment from 26" to 42": Full travel time is 18 seconds.

**Keyboard Surface:** DataCenter mechanism adjusts from 8" below to 7" above work surface. Both have +15° to -15° tilt.

**Work Surfaces:** Thermally-fused low-pressure laminate with T-mold edge is standard. Add "L" suffix for high pressure laminate with T-mold edge (prices shown).

**DataCenter Surface:** 11"D x 27"W (minimum) for rectangular configurations.

Model No.	Description	Wt.	List Price
-----------	-------------	-----	------------

### VariTask® E-Series Base Only

<b>6043</b>	Base for rectangular top sizes up to 48"W x 30"D, 48" x 30" corner, 16" travel	75#	\$1778
<b>6045</b>	Base for corner top sizes up to 30" x 48", 16" travel - wedge shape	75#	\$1778
<b>6047</b>	Base for corner top sizes up to 36"W x 24"D, and 42"W - wedge shape, 16" travel	67#	\$1778

Model No.	Description	Wt.	TFL List Price	HPL List Price
-----------	-------------	-----	----------------	----------------

### VariTask® E-Series - Single surface.

				"L" Suffix
<b>615S</b>	48" x 24"	126#	\$2036	\$2189
<b>605</b>	36" x 30"	123#	\$2017	\$2169
<b>610</b>	42" x 30"	124#	\$2036	\$2246
<b>615</b>	48" x 30"	135#	\$2103	\$2320

### VariTask® E-Series - Dual surface with 11" D DataCenter Keyboard Mechanism.

				"L" Suffix
<b>605W</b>	36" x 31" with DataCenter	144#	\$2857	\$3033
<b>610W</b>	42" x 31" with DataCenter	149#	\$2929	\$3101
<b>615W</b>	48" x 31" with DataCenter	155#	\$2970	\$3188

**Note:** DataCenter keyboard mechanisms are available for \$700 list each. Please see page 80 for more details.

### VariTask® E-Series - Single surface corner unit.

				"L" Suffix
<b>650S</b>	42" x 24"	132#	\$2389	\$2541
<b>650</b>	42" x 30"	135#	\$2455	\$2700

Model No.	Description	Wt.	TFL List Price	HPL List Price
-----------	-------------	-----	----------------	----------------

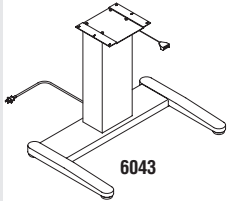
### VariTask® E-Series - Corner dual surface with DataCenter Keyboard Mechanism.

				"L" Suffix
<b>650SW</b>	42" x 24"	150#	\$3187	\$3326
<b>650W</b>	42" x 30"	155#	\$3213	\$3340
<b>670W</b>	48" x 30"	172#	\$3367	\$3587

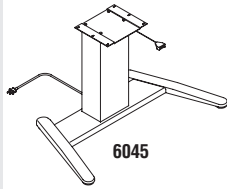
Model No.	Description	Wt.	Low-Pressure Laminate List Price	Standard Laminate List Price
-----------	-------------	-----	----------------------------------	------------------------------

### VariTask® E-Series Curved - Corner dual surface with DataCenter Keyboard Mechanism.

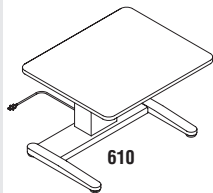
				"L" Suffix
<b>680W</b>	42" x 30"	155#	\$3623	\$3858
<b>690W</b>	48" x 30"	172#	\$3793	\$4027



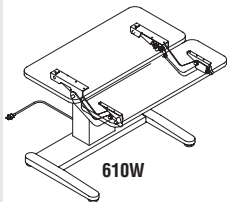
6043



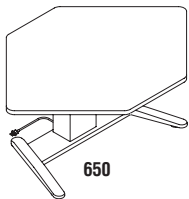
6045



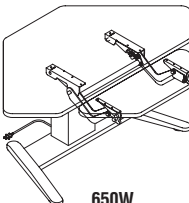
610



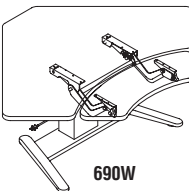
610W



650



650W



690W

# VARITASK® XR



**Drive System:** 24V, Chain Drive, DC motor. 2-leg system has 250 lbs. lifting capacity and draws a maximum of 3 amps. The 3-leg system has 375 lbs. of lifting capacity and draws a maximum of 4.5 amps start-up and full load.

**Travel Range:** 26.5" of vertical adjustment from 24" to 50.5" by way of simple to use control switch.

**Work Surfaces:** 1 1/8" high pressure laminate with T-mold edge is standard.

**DataCenter Surfaces:** 11"D x 30"W (minimum) for rectangular configurations.

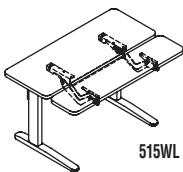
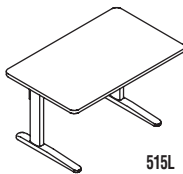
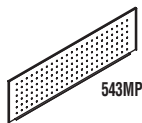
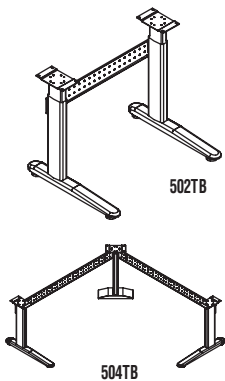
**Meets ADA standards.**

**Keyboard Surface:** Optional mechanism extends keyboard range to 8" below and/or 7" above monitor surface. Tilt range is +15° to -15° tilt.

**Control Switch:** Standard with 3 position memory settings.

**Modesty Panel:** Optional 18 gauge perforated 10"H steel panel. Available in Mayline standard colors.

**Base:** Consists of 14 gauge legs and rigid 14 gauge cross brace. Available in black only. Base ships KD. Due to the precision alignment of the height-adjustable legs, it is critical the unit is properly leveled for optimum performance.



Model No.	Description	Wt.	
<b>VariTask® XR</b>	Base Only-includes columns, control box, cross brace, cables and switch		<b>Base Only List Price</b>
<b>502STB</b>	For 36"-42" 24"D surfaces - 2 columns	45#	\$1913
<b>503STB</b>	For 48"-60" 24"D surfaces - 2 columns	47#	\$1981
<b>506STB</b>	For 24" x 48" x 72" x 24" right-hand return - 3 columns	65#	\$2590
<b>507STB</b>	For 24" x 72" x 48" x 24" left-hand return - 3 columns	65#	\$2590
<b>504STB</b>	For 72" x 24" x 72" corner - 3 columns	68#	\$2597
<b>505STB</b>	For 84" x 24" x 84" corner - 3 columns	73#	\$2659
<b>502TB</b>	For 36"-42" surfaces - 2 columns	47#	\$1938
<b>503TB</b>	For 48"-60" surfaces - 2 columns	50#	\$2008
<b>508TB</b>	For 60"-72" 30"D surfaces - 2 columns	53#	\$2008
<b>509TB</b>	For 72"-84" 30"D surfaces - 2 columns	57#	\$2078
<b>506TB</b>	For 30" x 48" x 72" x 30" right-hand return - 3 columns	67#	\$2630
<b>507TB</b>	For 30" x 72" x 48" x 30" left-hand return - 3 columns	67#	\$2630
<b>504TB</b>	For 72" x 30" x 72" corner - 3 columns	70#	\$2636
<b>505TB</b>	For 84" x 30" x 84" corner - 3 columns	75#	\$2699
<b>Optional Modesty Panel</b>			<b>List Price</b>
<b>537MP</b>	For 36"-42" wide tables (Qty 1)	20#	\$120
<b>543MP</b>	For 48"-60" wide tables (Qty 1)	22#	\$131
<b>549MP</b>	For 72" x 72" corner tables (Qty 2)	38#	\$329
<b>561MP</b>	For 84" x 84" corner tables (Qty 2)	40#	\$365
<b>562MP</b>	For 72" x 48" corner table (Qty 1 of each size)	40#	\$296
<b>VariTask® XR</b>	Single Surface Rectangular		<b>HPL List Price</b>
<b>505SL</b>	36" x 24"	80#	\$2213
<b>510SL</b>	42" x 24"	87#	\$2253
<b>515SL</b>	48" x 24"	94#	\$2316
<b>520SL</b>	60" x 24"	107#	\$2446
<b>505L</b>	36" x 30"	89#	\$2267
<b>510L</b>	42" x 30"	97#	\$2308
<b>515L</b>	48" x 30"	105#	\$2372
<b>520L</b>	60" x 30"	120#	\$2502
<b>525L</b>	72" x 30"	135#	\$2549
<b>VariTask® XR</b>	Dual Surface Rectangular with DataCenter Mechanism		
<b>505WL</b>	36" x 30"	110#	\$2971
<b>510WL</b>	42" x 30"	119#	\$3028
<b>515WL</b>	48" x 30"	131#	\$3102
<b>520WL</b>	60" x 30"	147#	\$3233

DESKING  
 CASEGOODS  
 CONFERENCE & TRAINING TABLES  
 SEATING  
 STORAGE & FILING  
 SPECIALTY SOLUTIONS  
 COM FORMS  
 PRODUCT INDEX

## XR (CONTINUED)

Model No.	Description	Wt.	HPL List Price
<b>VariTask® XR</b>	3 Column Laminate Single Surface Corner		
<b>5300SL</b>	24" x 72" x 72" x 24"	240#	\$3660
<b>5310SL</b>	24" x 84" x 84" x 24"	242#	\$3859
<b>5320SL</b>	24" x 48" x 72" x 24" - right handed	231#	\$3172
<b>5330SL</b>	24" x 72" x 48" x 24" - left handed	231#	\$3172
<b>5300L</b>	30" x 72" x 72" x 30"	253#	\$3723
<b>5310L</b>	30" x 84" x 84" x 30"	258#	\$3922
<b>5320L</b>	30" x 48" x 72" x 30" - right handed	239#	\$3236
<b>5330L</b>	30" x 72" x 48" x 30" - left handed	239#	\$3236
<b>VariTask® XR</b>	3 Column Laminate Single Surface Corner with Data Center Mechanism		
<b>5300WL</b>	30" x 72" x 72" x 30"	258#	\$4442
<b>5310WL</b>	30" x 84" x 84" x 30"	285#	\$4641
<b>5320WL</b>	30" x 48" x 72" x 30" - right handed	244#	\$3839
<b>5330WL</b>	30" x 72" x 48" x 30" - left handed	244#	\$3839

**Note:** DataCenter keyboard mechanisms are available for \$700 list each. See below for more details.

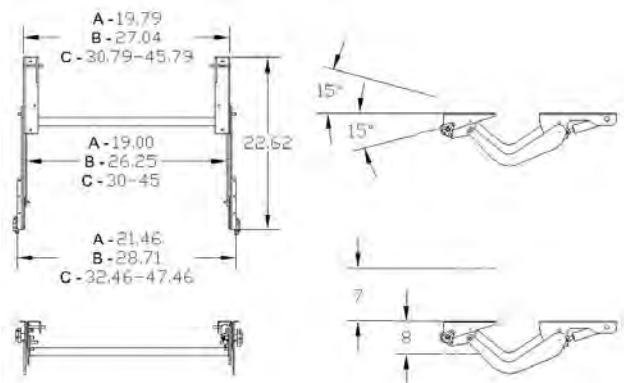
## ERGONOMIC ACCESSORIES

GSA

## Data Center Keyboard Mechanisms

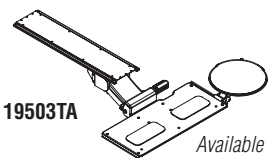
Sit/Stand height adjustable keyboard arm with paddle actuated spring brake height adjustment and lever for tilt. Variable width configurations, fixed mount application. Available in 19", 26.25" widths. Please contact Customer Service for compatibility on rectangular and corner workstations to insure proper fit.

Model No.	Description	Wt.	List Price
<b>49263</b>	Data Center 19" (A)	22#	\$732
<b>49264</b>	Data Center 26.25" (B)	22#	\$732
<b>49265</b>	Data Center 30"-45" adjustable (C) in 98" or (25mm) increments	22#	\$732



## KEYBOARD SUPPORTS

Model No.	Description	Wt.	List Price
<b>19503TA</b>	Combination keyboard/mouse platform 19"W x 8 1/4"D, 9"Dia. mouse platform	15#	\$545



Available in Black Only.



---

**Brighton Series**  
**Aberdeen® Series**  
**Toscana Series**  
**Corsica® Series**  
**Napoli® Series**  
**Sorrento Series**  
**Luminary Series**  
**Mira Series**  
**Lounge Furniture**  
**Occasional Tables**  
**REAL Office™ Options**



# BRIGHTON SERIES



The Brighton Series is Mayline's most affordable, complete line of REAL Office casegoods. With all laminate construction, it provides the durability and affordability you would expect, but with an added sense of style. Brighton offers matching Cherry and Mocha finishes to our higher end Aberdeen Series line, allowing you to specify for different levels within an organization.

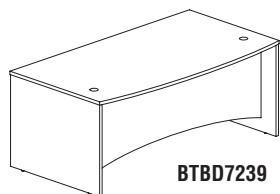
**Finishes:** Cherry and Mocha.

**CARB Compliant:** Brighton's core materials comply with Phase 1 of CARB's formaldehyde emission limits of composite wood materials.

**Complete product line in stock from both Arkansas and California distribution centers.** Ships standard within 72 hours.

- All models in all finishes are available on both the Kwik-Ship and Fast Freight delivery programs with no quantity limitations.

## BOW FRONT DESK

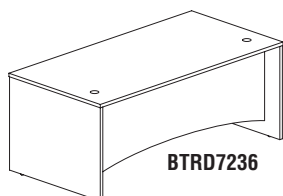


BTBD7239

- 1" thick work surface.
- Modesty panel is recessed 9" at center.
- 3/4 height arched modesty panel included.
- Two black grommets in surface, standard. Additional grommet options available.

Model No.	Description	Dimensions	Wt.	List Price
<b>BTBD7239</b>	72" Bowfront Desk	72"W x 39"D x 29"H	148#	\$517

## RECTANGULAR CONFERENCE DESK



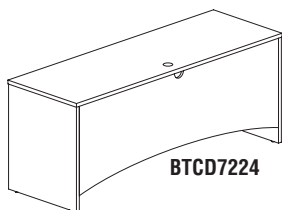
BTRD7236

- 1" thick work surface.
- 3/4 height arched modesty panel included.
- Modesty panel is recessed 6".
- Two black grommets in surface, standard. Additional grommet options available.

Model No.	Description	Dimensions	Wt.	List Price
<b>BTRD7236</b>	72" Rectangular Conference Desk	72"W x 36"D x 29"H	151#	\$497

Model No.	Description	Dimensions	Wt.	List Price
<b>BTRD7230</b>	72" Rectangular Desk	72"W x 30"D x 29"H	128#	\$440
<b>BTRD6630</b>	66" Rectangular Desk	66"W x 30"D x 29"H	102#	\$404
<b>BTRD6030</b>	60" Rectangular Desk	60"W x 30"D x 29"H	100#	\$380

## CREDENZA

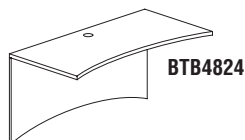


BTCD7224

- 1" thick work surface.
- 3/4 height arched modesty panel included.
- One black grommet in surface, standard. Additional grommet options available.
- Mouse hole in modesty panel for cable pass through.

Model No.	Description	Dimensions	Wt.	List Price
<b>BTCD7224</b>	72" Credenza	72"W x 24"D x 29"H	104#	\$389
<b>BTCD6624</b>	66" Credenza	66"W x 24"D x 29"H	98#	\$363
<b>BTCD6024</b>	60" Credenza	60"W x 24"D x 29"H	90#	\$342

## BRIDGE

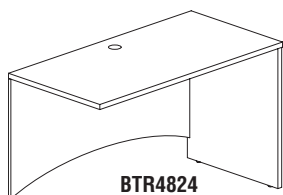


BTB4824

- Non-handed, mounts to either left or right side of desk.
- Not free-standing. Requires connection to credenza and desk.
- 1" thick work surface.
- 3/4 height arched modesty panel included.
- One black grommet in surface, standard. Additional grommet options available.

Model No.	Description	Dimensions	Wt.	List Price
<b>BTB4824</b>	48" Curved Bridge	48"W x 24"D x 29"H	49#	\$223
<b>BTB4224</b>	42" Curved Bridge	42"W x 24"D x 29"H	44#	\$203
<b>BTB3624</b>	36" Curved Bridge	36"W x 24"D x 29"H	40#	\$183

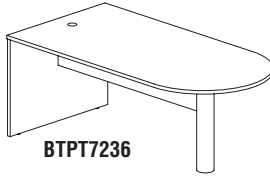
## RETURN



BTR4824

- Non-handed, mounts to either left or right side of desk.
- Not free-standing. Requires connection to credenza or desk.
- 1" thick work surface.
- 3/4 height arched modesty panel included.
- One black grommet in surface, standard. Additional grommet options available.

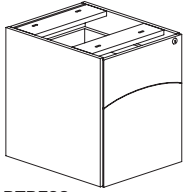
Model No.	Description	Dimensions	Wt.	List Price
<b>BTR4824</b>	48" Return	48"W x 24"D x 29"H	68#	\$263
<b>BTR4224</b>	42" Return	42"W x 24"D x 29"H	60#	\$248
<b>BTR3624</b>	36" Return	36"W x 24"D x 29"H	54#	\$229

**BRIGHTON SERIES****FREESTANDING PENINSULA DESK**

BTPT7236

- 1" thick work surface.
- Modesty panel is 12"H.
- One black grommet in surface, standard. Additional grommet options available.
- Mouse hole in modesty panel for cable pass through.
- Does not accommodate a center drawer.

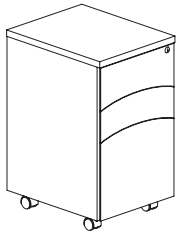
Model No.	Description	Dimensions	Wt.	List Price
BTPT7236	72" Freestanding Peninsula	72"W x 36"D x 29"H	115#	\$673

**SUSPENDED PEDESTAL FILE**

BTBF20

- Attaches to all desks, credenzas and returns.
- Ped tops are unfinished. Must be attached to underside of surface.
- All locks are keyed alike. Lock cores are removable for keying suites individually.
- File drawers accommodate letter or legal size hanging file folders.
- Pedestals ship fully assembled.

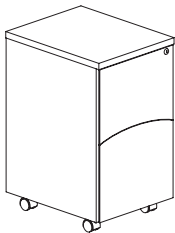
Model No.	Description	Dimensions	Wt.	List Price
BTBF20	Suspended Desk BF Ped	15 3/4"W x 19 1/2"D x 20"H	56#	\$333

**MOBILE PEDESTAL FILE**

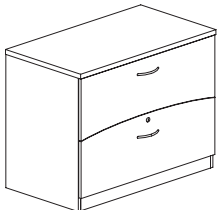
BTBBF20M

- File drawers accommodate letter or legal size hanging folders.
- All locks are keyed alike. Lock cores are removable for keying suites individually.
- Pedestals ship fully assembled.
- Designed to work with hanging box bottom and/or hanging pockets.  
Note: Some tabs on standard folders may not fit in top drawer due to the limited height this design requires.

Model No.	Description	Dimensions	Wt.	List Price
BTBBF20M	Mobile BBF Ped	15 3/4"W x 19 1/2"D x 27 3/4"H	74#	\$446
BTFF20M	Mobile FF Ped	15 3/4"W x 19 1/2"D x 27 3/4"H	71#	\$399



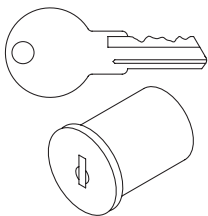
BTFF20M

**FREESTANDING LATERAL FILE**

BTFLF36

- 1" surface removable for use under desk surfaces.
- Drawers can be configured for front-to-back or side-to-side filing.
- All locks are keyed alike. Lock cores are removable for keying workstations individually.
- Drawers can support up to 75 lbs. each.
- Black pulls standard. Additional pull options available.

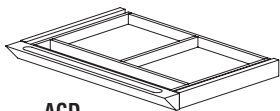
Model No.	Description	Dimensions	Wt.	List Price
BTFLF36	36" Freestanding Lateral File	36"W x 20"D x 29"H	157#	\$772

**REPLACEMENT LOCK CORES**

TCC0100

- Allows pedestals and laterals to be keyed uniquely for up to 10 different workstations.
- Master key available.
- Must purchase a core removal tool to change locks cores.

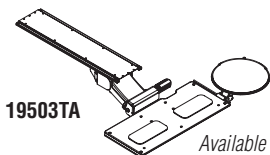
Model No.	Description	Wt.	List Price
TCC0100 through TCC0109	Replacement core with keys	1#	\$18
REALCCRC	Core removal tool	1#	\$20
REALCCMK	Master Key	1#	\$20

**BRIGHTON SERIES****CENTER DRAWER**

ACD

- Can be used under any worksurface (except BTPT7236 Peninsula Desk).
- Solid wood frame construction.
- Drawer operates smoothly on full-extension ball bearing suspension.
- Available in graphite with black drawer front only.

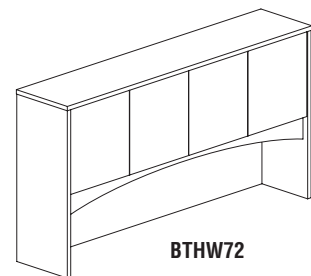
Model No.	Description	Dimensions	Wt.	List Price
ACD	Center Drawer	25"W x 18"D x 2"H	11#	\$165

**KEYBOARD SUPPORTS**

19503TA

*Available in Black Only.*

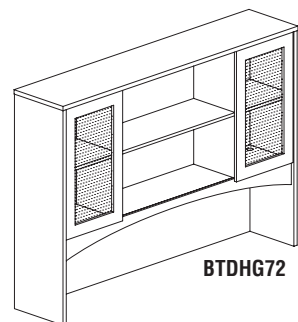
Model No.	Description	Wt.	List Price
19503TA	Combination keyboard/mouse platform 19"W x 8 1/4"D, 9"Dia. mouse platform	15#	\$545

**HUTCH WITH WOOD DOORS**

BTHW72

- Features four cabinet styled doors with self-closing hinges.
- Back panel features two cable grommets for wall access.
- Under shelf clearance ranges from 14" on sides to 18" in center.
- Accepts optional fabric tack panel and task light.

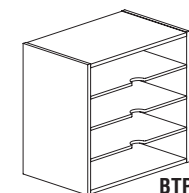
Model No.	Description	Dimensions	Wt.	List Price
BTHW72	72" Hutch with Wood Doors	72"W x 15"D x 39 1/2"H	165#	\$600
BTHW66	66" Hutch with Wood Doors	66"W x 15"D x 39 1/2"H	154#	\$574
BTHW60	60" Hutch with Wood Doors	60"W x 15"D x 39 1/2"H	130#	\$541

**DOUBLE HEIGHT HUTCH WITH GLASS DOORS**

BTDHG72

- Frosted glass highlights cabinet contents and still provides privacy.
- Glass is tempered for safety and durability.
- Features two cabinet styled doors with self-closing hinges.
- Center of hutch has two open shelves, one adjustable.
- Back panel features two cable grommets for wall access.
- Under shelf clearance ranges from 14" on sides to 18" in center.
- Accepts optional fabric tack panel and task light.

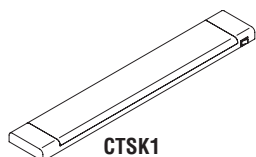
Model No.	Description	Dimensions	Wt.	List Price
BTDHG72	72" Hutch with Glass Doors	72"W x 15"D x 50 1/2"H	209#	\$794

**PAPER MANAGEMENT ORGANIZER**

BTM

- Pigeon hole slots can accommodate legal sized documents.
- Sized to fit under hutch vertically or horizontally.

Model No.	Description	Dimensions	Wt.	List Price
BTM	Paper Manager	16 3/4"W x 10 5/8"D x 16 3/4"H	20#	\$159

**HUTCH TASK LIGHT**

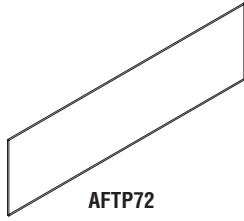
CTSK1

- Task lighting attaches to underside of hutch.
- Uses two energy efficient 13W T5 bulbs.
- Includes diffuser lens.
- 10 ft. power cord.

Model No.	Description	Dimensions	Wt.	List Price
CTSK1	Task Light	25"W x 4"D x 1"H	1#	\$138

## BRIGHTON SERIES

### HUTCH TACK PANEL



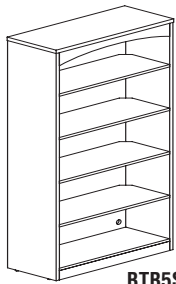
- Tack panel attaches to hutch back panel using adhesive tape.
- Allows for access to the hutch's grommets for cable management.
- Available in Black fabric only.

Model No.	Description	Dimensions	Wt.	List Price
<b>AFTP72</b>	72" Fabric Tack Panel	69 3/4"W x 1/2"D x 19 1/4"H	6#	\$193
<b>AFTP66</b>	66" Fabric Tack Panel	63 3/4"W x 1/2"D x 19 1/4"H	6#	\$165
<b>AFTP60</b>	60" Fabric Tack Panel	57 3/4"W x 1/2"D x 19 1/4"H	5#	\$150

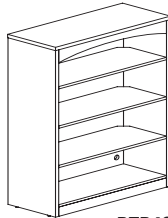
### BOOKCASES

- Shelves are adjustable in 1 1/4" increments. Each shelf has 7 1/2" of total adjustment.
- Shelves contain corner mouse hole for vertical cable management.
- Back panel provides grommet for wall access.

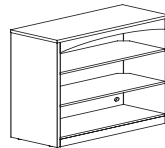
Model No.	Description	Dimensions	Wt.	List Price
<b>BTB5S36</b>	5 Shelf Bookcase (1 fixed shelf)	36"W x 15"D x 68 1/2"H	182#	\$572
<b>BTB4S36</b>	4 Shelf Bookcase	36"W x 15"D x 50 1/2"H	143#	\$475
<b>BTB3S36</b>	3 Shelf Bookcase	36"W x 15"D x 39 1/2"H	108#	\$384



BTB5S36

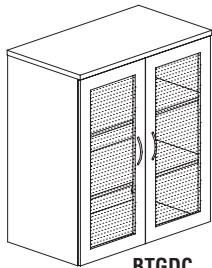


BTB4S36



BTB3S36

### GLASS DISPLAY CABINET

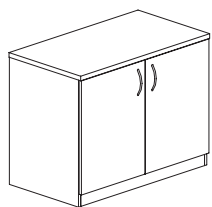


BTGDC

- Frosted glass highlights cabinet contents and still provides privacy.
- Glass is tempered for safety and durability.
- Two shelves are adjustable in 1 1/4" increments. Each shelf has 7 1/2" of total adjustment.
- Black pulls standard. Additional pull options available.
- Grommets in back panel for wall access.
- Shelves contain corner mouse hole for vertical cable management.

Model No.	Description	Dimensions	Wt.	List Price
<b>BTGDC</b>	Glass Display Cabinet	36"W x 20"D x 39 1/2"H	119#	\$671

### STORAGE CABINET

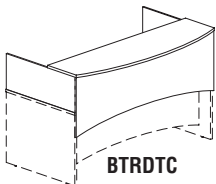


BTSC

- Self-closing hinged doors.
- Shelf is adjustable in 1 1/4" increments with 7 1/2" of total adjustment.
- Shelf contains corner mouse hole for vertical cable management.
- Grommet in back panel for wall access.
- Black pulls standard. Additional pull options available.

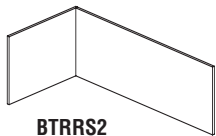
Model No.	Description	Dimensions	Wt.	List Price
<b>BTSC</b>	Storage Cabinet	36"W x 20"D x 29"H	96#	\$404

For additional laminate storage components, see Aberdeen Caseloads on pages 100-102.

**BRIGHTON SERIES****RECEPTION ACCESSORIES****BTRDTC**

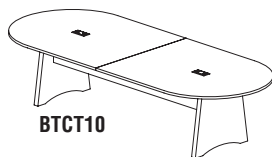
- For main reception desk. To be used on BTRD7236.
- Transaction counter surface is 1" thick.
- When installed Transaction Counter measures 72"W x 21"D x 15"H.

Model No.	Description	Dimensions	Wt.	List Price
<b>BTRDTC</b>	72" Reception Transaction Counter	72"W x 42 5/8"D x 24 5/8"H	80#	\$331

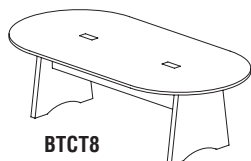
**BTRRS2**

- To be used on top of desk return BTR4824.
- Reception screen is symmetrical and non-handed.

Model No.	Description	Dimensions	Wt.	List Price
<b>BTRRS2</b>	48" Reception Return Screen	48"W x 23 3/4"D x 14"H	33#	\$135

**CONFERENCE TABLES****BTCT10**

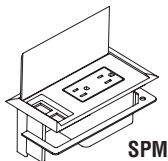
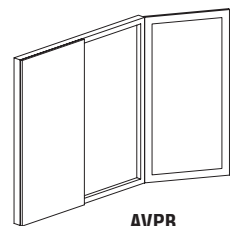
- 1" thick work surfaces.
- Racetrack conference table standard with grommets (120"W, 96"W = 2 grommets; 72"W = 1 grommet).
- Racetrack conference tables accept power module for power and data access to operate computers and presentation equipment.
- Round conference table does not have grommet.
- Structural modesty panel conceals horizontal cable management.

**BTCT8**

Model No.	Description	Dimensions	Wt.	List Price
<b>BTCT10</b>	10' Conference Table	119 5/8"W x 47 5/8"D x 29"H	306#	\$1034
<b>BTCT8</b>	8' Conference Table	95 5/8"W x 47 5/8"D x 29"H	185#	\$744
<b>BTCT6</b>	6' Conference Table	72"W x 36"D x 29"H	127#	\$474
<b>BTCTR48</b>	48" Round Conference Table	48"Dia x 29"H	93#	\$396

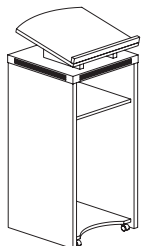
**BTCTR48**

Model No.	Description	List Price
<b>SPM</b> 	UL Listed Optional Power Module [includes RJ11-Cat 3 coupler (phone) and RJ45 coupler (data)] – 6' power cord	\$273

**SPM****CONFERENCE ACCESSORIES****AVPB**

- White dry-erase board in center panel that features magnetic, non-ghosting surface.
- Marker board can be used for projection.
- Sculpted lower tray holds markers, erasers, etc.
- Inside face of doors covered in tackable black fabric.
- Wall mounting brackets included.

Model No.	Description	Dimensions	Wt.	List Price
<b>AVPB</b>	Visual Presentation Board	48"W x 2 3/8"D x 48"H	80#	\$858

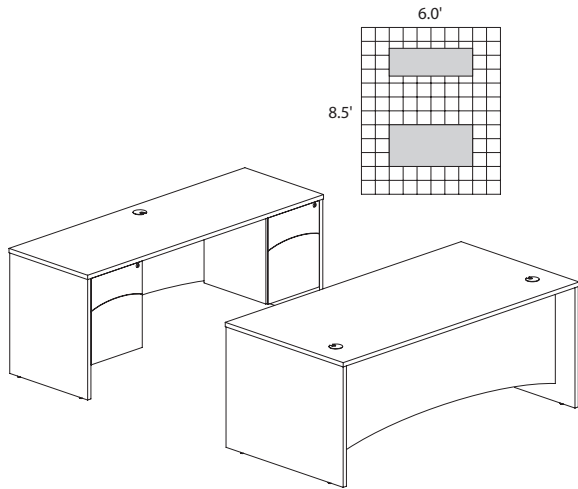
**ALCT**

- One fixed shelf.
- Four casters, two locking concealed in lectern base.
- Angled stand has stop to prevent papers from sliding.

Model No.	Description	Dimensions	Wt.	List Price
<b>ALCT</b>	Lectern	18"W x 18"D x 44"H	78#	\$497

# BRIGHTON SERIES TYPICALS

• Order complete suites using "BT\_\_" models.



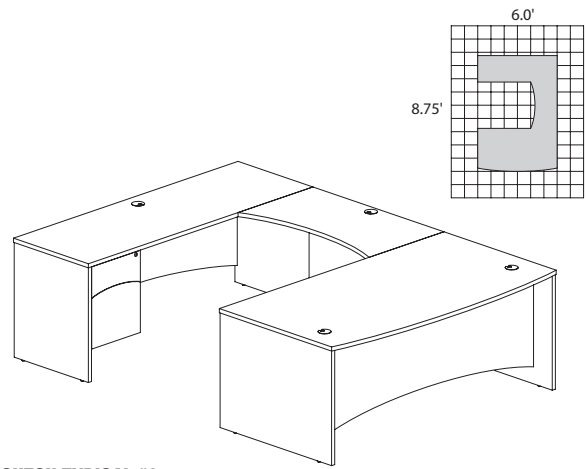
**BRIGHTON TYPICAL #1**

Consists of:

QTY.	MODEL NO.	DESCRIPTION	LIST PRICE EACH
1	<b>BTRD7236</b>	Rectangular Desk 72"W x 36"D	\$497
4	<b>BTBF20</b>	Suspended Pedestal	\$333
1	<b>BTCD7224</b>	Credenza Shell	\$389

**BT1**

**TOTAL: \$2218**



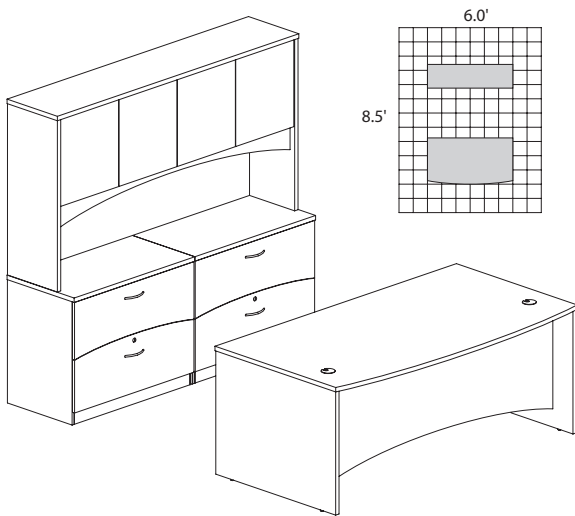
**BRIGHTON TYPICAL #2**

Consists of:

QTY.	MODEL NO.	DESCRIPTION	LIST PRICE EACH
1	<b>BTBD7239</b>	Bowfront Desk 72"W x 39"D	\$517
2	<b>BTBF20</b>	Suspended Pedestal	\$333
1	<b>BTCD7224</b>	Credenza Shell 72"W x 24"D	\$389
1	<b>BTB4824</b>	Curved Bridge 48"W x 24"D	\$223

**BT2**

**TOTAL: \$1795**



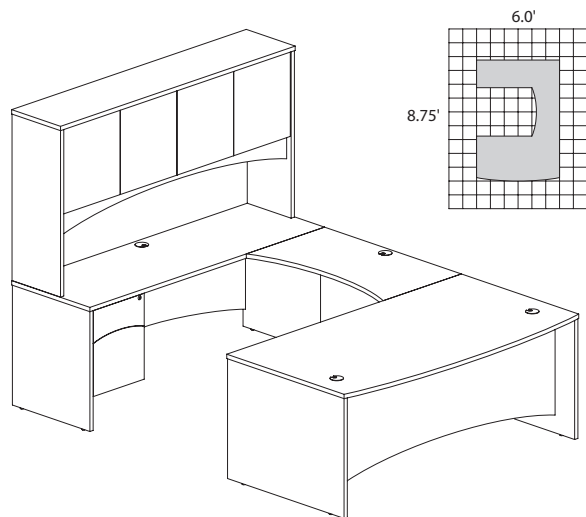
**BRIGHTON TYPICAL #3**

Consists of:

QTY.	MODEL NO.	DESCRIPTION	LIST PRICE EACH
1	<b>BTBD7239</b>	Bowfront Desk 72"W x 39"D	\$517
2	<b>BTBF20</b>	Suspended Pedestal	\$333
2	<b>BTFLF36</b>	Freestanding Lateral File	\$772
1	<b>BTHW72</b>	Hutch with Wood Doors 72"W	\$600

**BT3**

**TOTAL: \$3327**



**BRIGHTON TYPICAL #4**

Consists of:

QTY.	MODEL NO.	DESCRIPTION	LIST PRICE EACH
1	<b>BTBD7239</b>	Bowfront Desk 72"W x 39"D	\$517
2	<b>BTBF20</b>	Suspended Pedestal	\$333
1	<b>BTCD7224</b>	Credenza Shell 72"W x 24"D	\$389
1	<b>BTB4224</b>	Curved Bridge 42"W x 24"D	\$203
1	<b>BTHW72</b>	Hutch with Wood Doors 72"W	\$600
1	<b>AFTP72</b>	72" Fabric Tack Panel	\$193

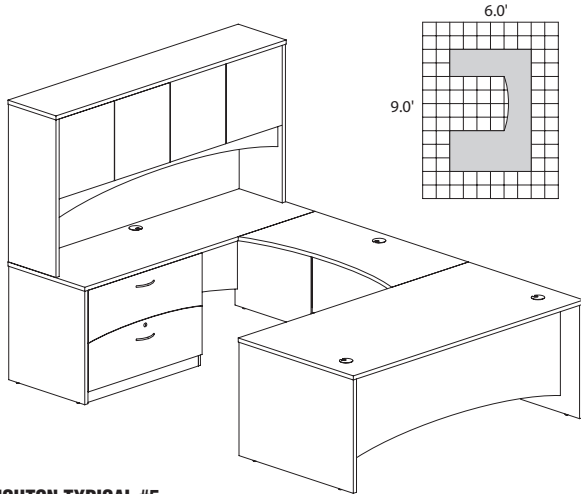
**BT4**

**TOTAL: \$2568**



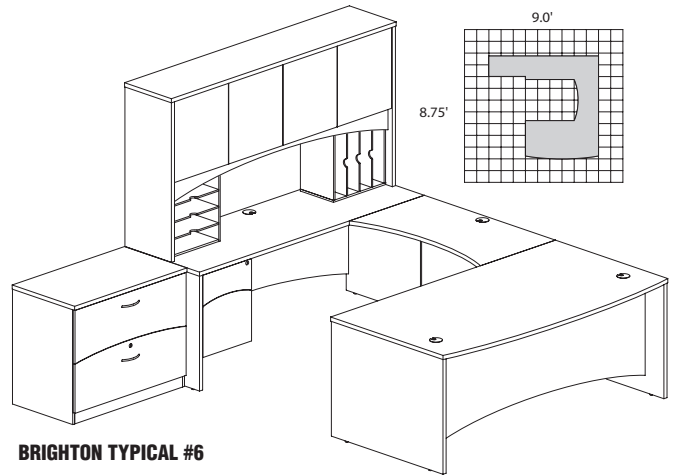
**BRIGHTON SERIES TYPICALS**

- Order complete suites using "BT\_\_" models.

**BRIGHTON TYPICAL #5**

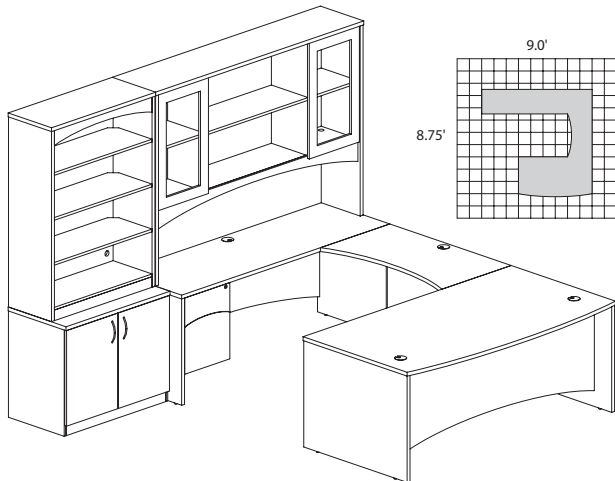
Consists of:

QTY.	MODEL NO.	DESCRIPTION	LIST PRICE EACH
1	<b>BTRD7236</b>	Rectangular Desk 72"W x 36"D	\$497
1	<b>BTBF20</b>	Suspended Pedestal	\$333
1	<b>BTCD7224</b>	Credenza Shell 72"W x 24"D	\$389
1	<b>BTFLF36</b>	Freestanding Lateral File	\$772
1	<b>BTB4824</b>	Curved Bridge 48"W x 24"D	\$223
1	<b>BTHW72</b>	Hutch with Wood Doors 72"W	\$600

**BT5****TOTAL: \$2814****BRIGHTON TYPICAL #6**

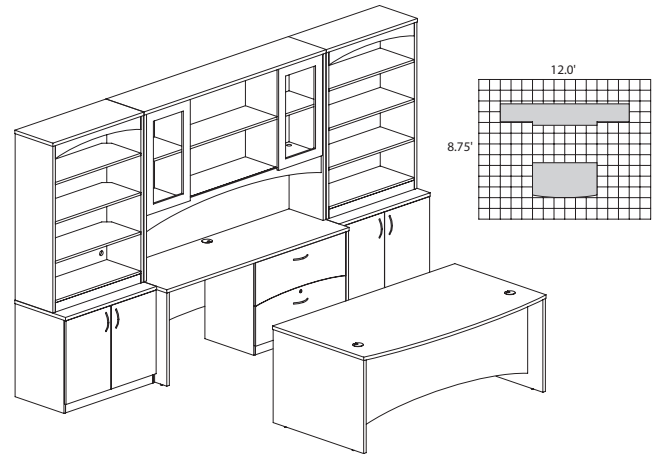
Consists of:

QTY.	MODEL NO.	DESCRIPTION	LIST PRICE EACH
1	<b>BTBD7239</b>	Bowfront Desk 72"W x 39"D	\$517
1	<b>BTBF20</b>	Suspended Pedestal	\$333
1	<b>BTBF20</b>	Suspended Pedestal	\$333
1	<b>BTCD7224</b>	Credenza Shell 72"W x 24"D	\$389
1	<b>BTB4824</b>	Curved Bridge 48"W x 24"D	\$223
1	<b>BTHW72</b>	Hutch with Wood Doors 72"W	\$600
1	<b>BTFLF36</b>	Freestanding Lateral File	\$772
1	<b>BTPM</b>	Paper Management	\$159
1	<b>BTPM</b>	Paper Management	\$159

**BT6****TOTAL: \$3485****BRIGHTON TYPICAL #7**

Consists of:

QTY.	MODEL NO.	DESCRIPTION	LIST PRICE EACH
1	<b>BTBD7239</b>	Bowfront Desk 72"W x 39"D	\$517
2	<b>BTBF20</b>	Suspended Pedestal	\$333
1	<b>BTCD7224</b>	Credenza Shell 72"W x 24"D	\$389
1	<b>BTB4224</b>	Curved Bridge 42"W x 24"D	\$203
1	<b>BTDHG72</b>	Hutch with Glass Doors	\$794
1	<b>BTB4S36</b>	Bookcase, 4-Shelf	\$475
1	<b>BTSC</b>	Storage Cabinet	\$404

**BT7****TOTAL: \$3448****BRIGHTON TYPICAL #8**

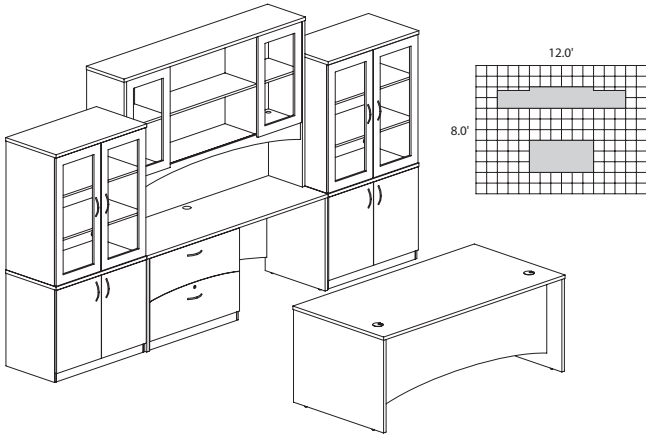
Consists of:

QTY.	MODEL NO.	DESCRIPTION	LIST PRICE EACH
1	<b>BTBD7239</b>	Bowfront Desk 72"W x 39"D	\$517
1	<b>BTCD7224</b>	Credenza Shell 72"W x 24"D	\$389
2	<b>BTBF20</b>	Suspended Pedestal	\$333
2	<b>BTSC</b>	Storage Cabinet	\$404
1	<b>BTFLF36</b>	Freestanding Lateral File	\$772
2	<b>BTB4S36</b>	Bookcase, 4-Shelf	\$475
1	<b>BTDHG72</b>	Hutch with Glass Doors	\$794

**BT8****TOTAL: \$4896**

**BRIGHTON SERIES TYPICALS**

• Order complete suites using "BT\_\_" models.



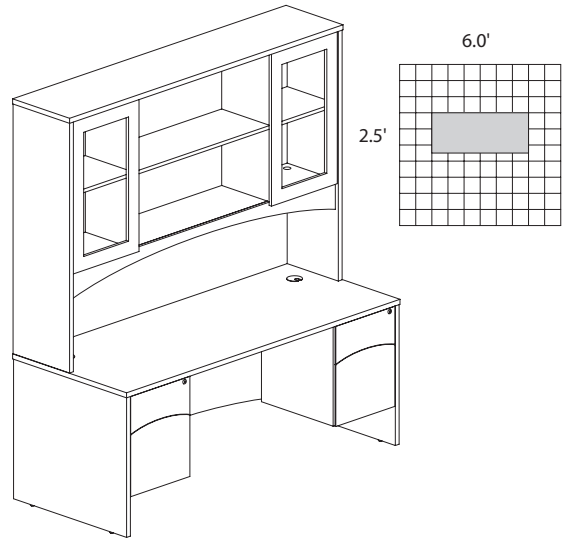
**BRIGHTON TYPICAL #9**

Consists of:

QTY.	MODEL NO.	DESCRIPTION	LIST PRICE EACH
1	BTRD7236	Rectangular Desk 72"W x 36"D	\$497
2	BTBF20	Suspended Pedestal	\$333
2	BTSC	Storage Cabinet	\$404
1	BTFLF36	Freestanding Lateral File	\$772
2	BTGDC	Glass Display Cabinet	\$671
1	BTDHG72	Hutch with Glass Doors	\$794
1	BTCD7224	Credenza 72"W x 24"D	\$389

**BT9**

**TOTAL: \$5268**



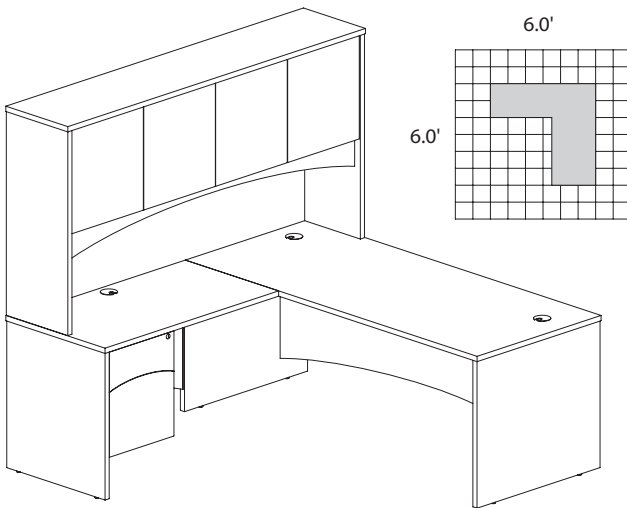
**BRIGHTON TYPICAL #10**

Consists of:

QTY.	MODEL NO.	DESCRIPTION	LIST PRICE EACH
1	BTRD7230	Rectangular Desk 72"W x 30"D	\$440
2	BTBF20	Suspended Pedestal	\$333
1	BTDHG72	Hutch with Glass Doors 72"W	\$794

**BT10**

**TOTAL: \$1900**



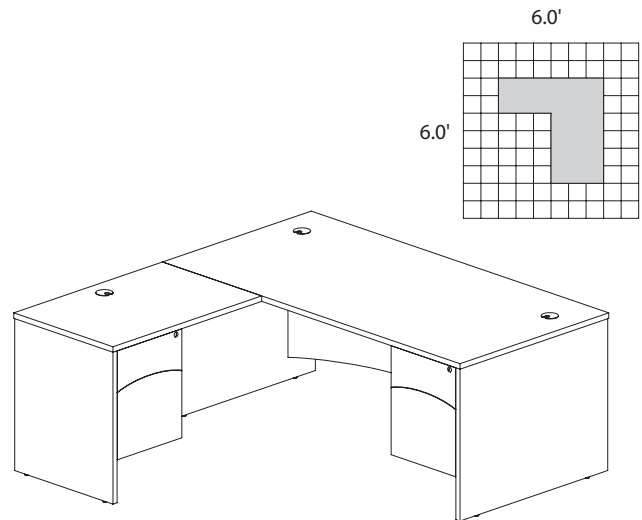
**BRIGHTON TYPICAL #11**

Consists of:

QTY.	MODEL NO.	DESCRIPTION	LIST PRICE EACH
1	BTRD7230	Rectangular Desk 72"W x 30"D	\$440
1	BTBF20	Suspended Pedestal	\$333
1	BTR4224	Return 42"W x 24"D	\$248
1	BTHW72	Hutch with Wood Doors 72"W	\$600

**BT11**

**TOTAL: \$1621**



**BRIGHTON TYPICAL #12**

Consists of:

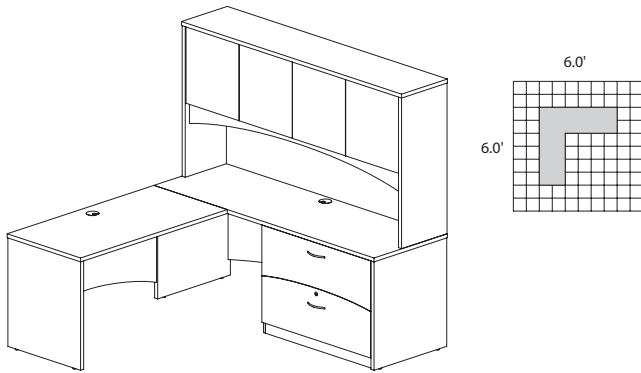
QTY.	MODEL NO.	DESCRIPTION	LIST PRICE EACH
1	BTRD7236	Rectangular Desk 72"W x 36"D	\$497
2	BTBF20	Suspended Pedestal	\$333
1	BTR3624	Return 36"W x 24"D	\$229

**BT12**

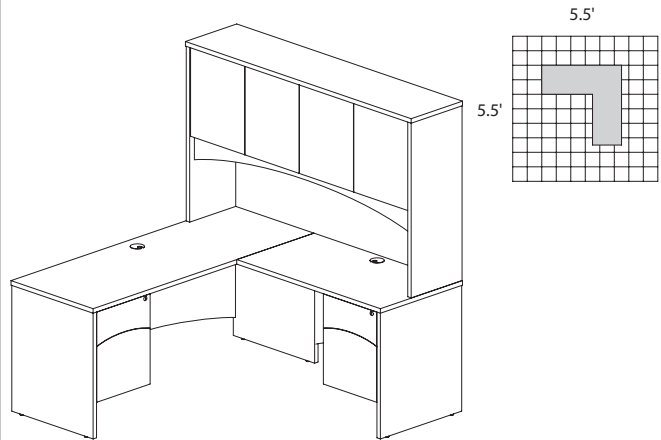
**TOTAL: \$1392**

**BRIGHTON SERIES TYPICALS**

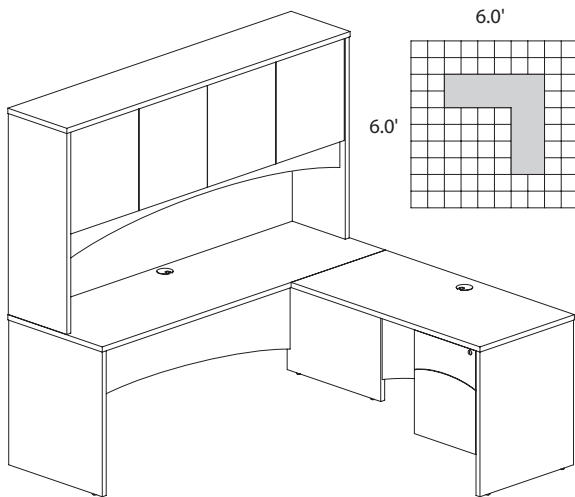
- Order complete suites using "BT\_\_" models.

**BRIGHTON TYPICAL #13****Consists of:**

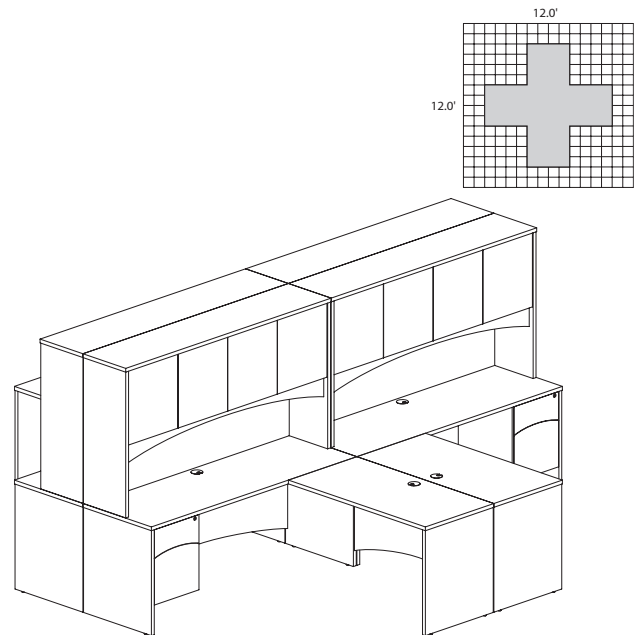
QTY.	MODEL NO.	DESCRIPTION	LIST PRICE EACH
1	<b>BTCD7224</b>	Credenza Shell 72"W x 24"D	\$389
1	<b>BTR4824</b>	Return 48"W x 24"D	\$263
1	<b>BTFLF36</b>	Freestanding Lateral File	\$772
1	<b>BTHW72</b>	Hutch with Wood Doors 72"W	\$600

**BT13****TOTAL: \$2024****BRIGHTON TYPICAL #14****Consists of:**

QTY.	MODEL NO.	DESCRIPTION	LIST PRICE EACH
1	<b>BTCD6624</b>	Credenza Shell 66"W x 24"D	\$363
2	<b>BTBF20</b>	Suspended Pedestal	\$333
1	<b>BTR4224</b>	Return 42"W x 24"D	\$248
1	<b>BTHW66</b>	Hutch with Wood Doors 66"W	\$574

**BT14****TOTAL: \$1851****BRIGHTON TYPICAL #15****Consists of:**

QTY.	MODEL NO.	DESCRIPTION	LIST PRICE EACH
1	<b>BTCD7224</b>	Credenza Shell 72"W x 24"D	\$389
1	<b>BTR4824</b>	Return 48"W x 24"D	\$263
1	<b>BTBF20</b>	Suspended Pedestal	\$333
1	<b>BTHW72</b>	Hutch with Wood Doors 72"W	\$600

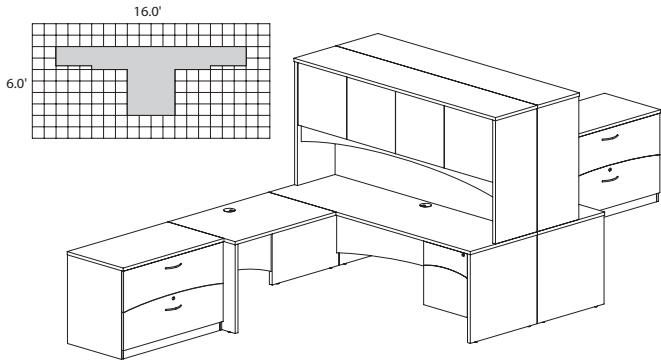
**BT15****TOTAL: \$1585****BRIGHTON TYPICAL #16****Consists of:**

QTY.	MODEL NO.	DESCRIPTION	LIST PRICE EACH
4	<b>BTCD7224</b>	Credenza Shell 72"W x 24"D	\$389
4	<b>BTR4824</b>	Return 48"W x 24"D	\$263
4	<b>BTBF20</b>	Suspended Pedestal	\$333
4	<b>BTHW72</b>	Hutch with Wood Doors 72"W	\$600

**BT16****TOTAL: \$6340**

## BRIGHTON SERIES TYPICALS

- Order complete suites using "BT\_" models.



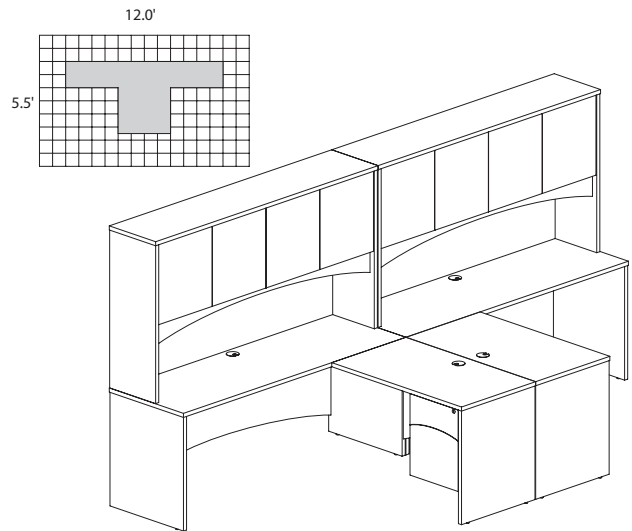
### BRIGHTON TYPICAL #17

Consists of:

QTY.	MODEL NO.	DESCRIPTION	LIST PRICE EACH
2	BTCD7224	Credenza Shell 72"W x 24"D	\$389
2	BTR3624	Return 36"W x 24"D	\$229
2	BTBF20	Suspended Pedestal	\$333
2	BTHW72	Hutch with Wood Doors 72"W	\$600
2	BTFLF36	Freestanding Lateral File	\$772

**BT17**

**TOTAL: \$4646**



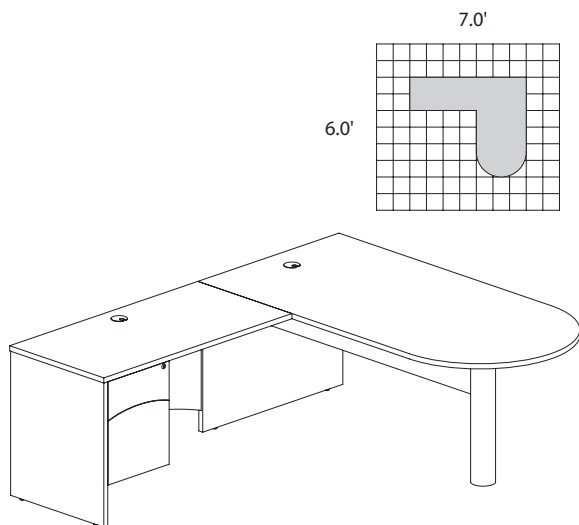
### BRIGHTON TYPICAL #18

Consists of:

QTY.	MODEL NO.	DESCRIPTION	LIST PRICE EACH
2	BTCD7224	Credenza Shell 72"W x 24"D	\$389
2	BTR4224	Return 42"W x 24"D	\$248
2	BTBF20	Suspended Pedestal	\$333
2	BTHW72	Hutch with Wood Doors 72"W	\$600

**BT18**

**TOTAL: \$3140**



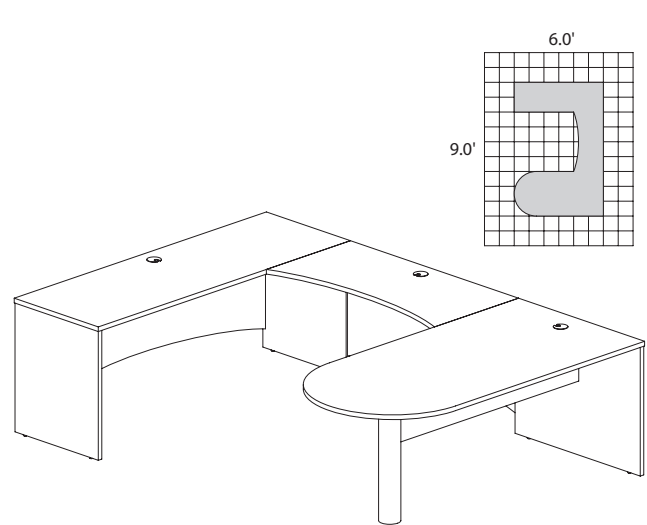
### BRIGHTON TYPICAL #19

Consists of:

QTY.	MODEL NO.	DESCRIPTION	LIST PRICE EACH
1	BTPT7236	Peninsula Table 72"W x 36"D	\$673
1	BTR4824	Return 48"W x 24"D	\$263
1	BTBF20	Suspended Pedestal	\$333

**BT19**

**TOTAL: \$1269**



### BRIGHTON TYPICAL #20

Consists of:

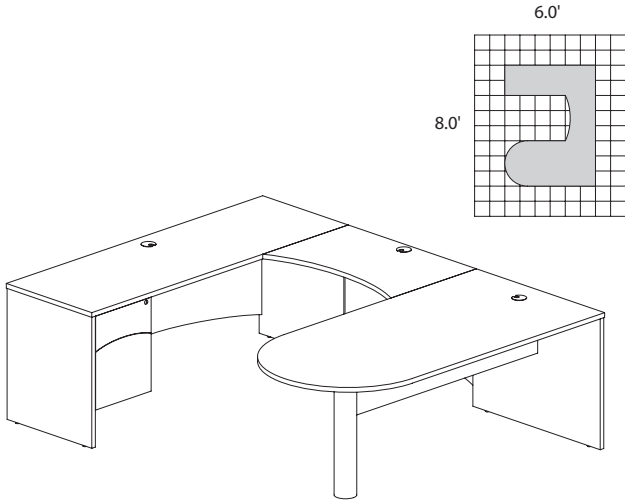
QTY.	MODEL NO.	DESCRIPTION	LIST PRICE EACH
1	BTPT7236	Peninsula Table 72"W x 36"D	\$673
1	BTB4824	Curved Bridge 48"W x 24"D	\$223
1	BTCD7224	Credenza Shell 72"W x 24"D	\$389

**BT20**

**TOTAL: \$1285**

**BRIGHTON SERIES TYPICALS**

• Order complete suites using "BT\_\_" models.



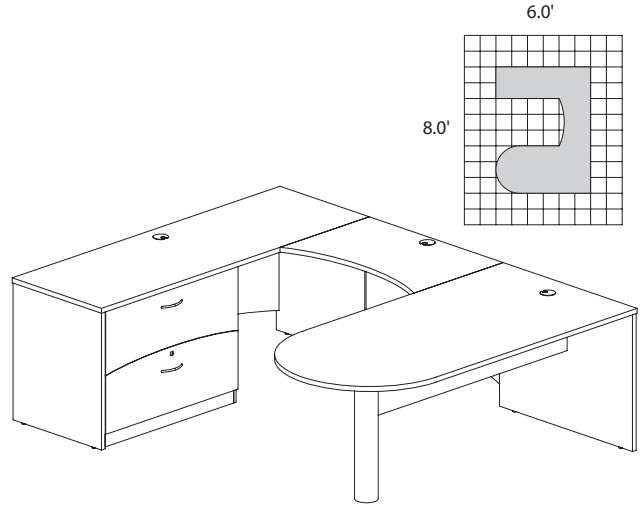
**BRIGHTON TYPICAL #21**

Consists of:

QTY.	MODEL NO.	DESCRIPTION	LIST PRICE EACH
1	BTPT7236	Peninsula Table 72"W x 36"D	\$673
1	BTB3624	Curved Bridge 36"W x 24"D	\$183
1	BTCD7224	Credenza Shell 72"W x 24"D	\$389
1	BTBF20	Suspended Pedestal	\$333

**BT21**

**TOTAL: \$1578**



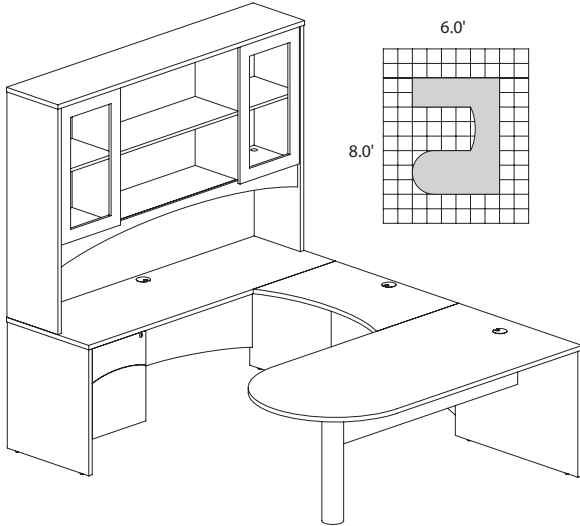
**BRIGHTON TYPICAL #22**

Consists of:

QTY.	MODEL NO.	DESCRIPTION	LIST PRICE EACH
1	BTPT7236	Peninsula Table 72"W x 36"D	\$673
1	BTB3624	Curved Bridge 36"W x 24"D	\$183
1	BTCD7224	Credenza Shell 72"W x 24"D	\$389
1	BTFLF36	Freestanding Lateral File	\$772

**BT22**

**TOTAL: \$2017**



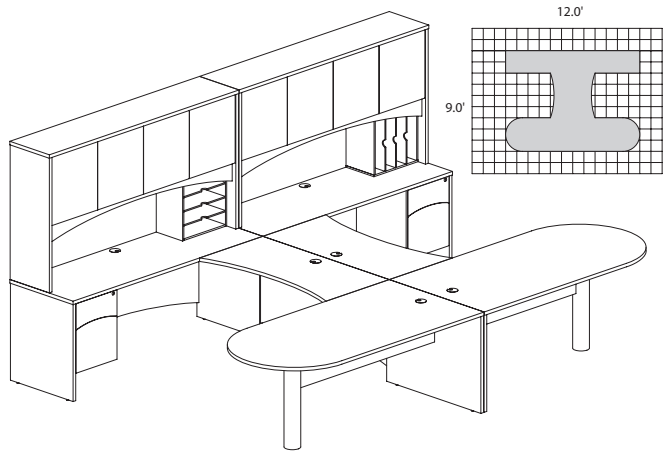
**BRIGHTON TYPICAL #23**

Consists of:

QTY.	MODEL NO.	DESCRIPTION	LIST PRICE EACH
1	BTPT7236	Peninsula Table 72"W x 36"D	\$673
1	BTB3624	Curved Bridge 36"W x 24"D	\$183
1	BTCD7224	Credenza Shell 72"W x 24"D	\$389
1	BTBF20	Suspended Pedestal	\$333
1	BTDHG72	Hutch with Glass Doors	\$794

**BT23**

**TOTAL: \$2372**



**BRIGHTON TYPICAL #24**

Consists of:

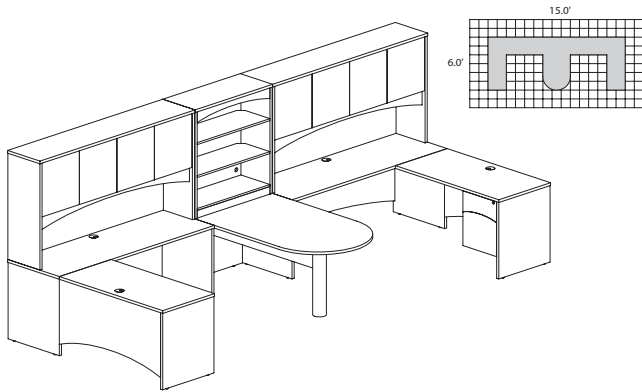
QTY.	MODEL NO.	DESCRIPTION	LIST PRICE EACH
2	BTPT7236	Peninsula Table 72"W x 36"D	\$673
2	BTB4824	Curved Bridge 48"W x 24"D	\$223
2	BTCD7224	Credenza Shell 72"W x 24"D	\$389
2	BTBF20	Suspended Pedestal	\$333
2	BTHW72	Hutch with Wood Doors 72"W	\$600
2	BTPM	Paper Management	\$159

**BT24**

**TOTAL: \$4754**

**BRIGHTON SERIES TYPICALS**

• Order complete suites using "BT\_\_" models.



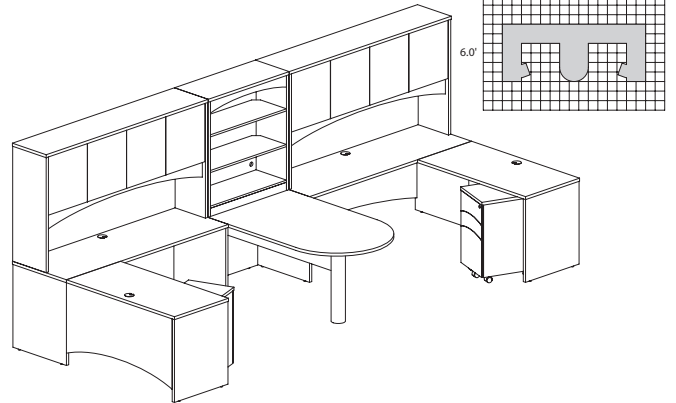
**BRIGHTON TYPICAL #25**

Consists of:

QTY.	MODEL NO.	DESCRIPTION	LIST PRICE EACH
2	<b>BTC</b> D7224	Credenza Shell 72"W x 24"D	\$389
2	<b>BTH</b> W72	Hutch with Wood Doors 72"W	\$600
2	<b>BTR</b> 4824	Return 48"W x 24"D	\$263
2	<b>BTB</b> F20	Suspended Pedestal	\$333
1	<b>BTP</b> T7236	Peninsula Table 72"W x 36"D	\$673
1	<b>BTB</b> S36	Bookcase 3 Shelf	\$384

**BT25**

**TOTAL: \$4227**



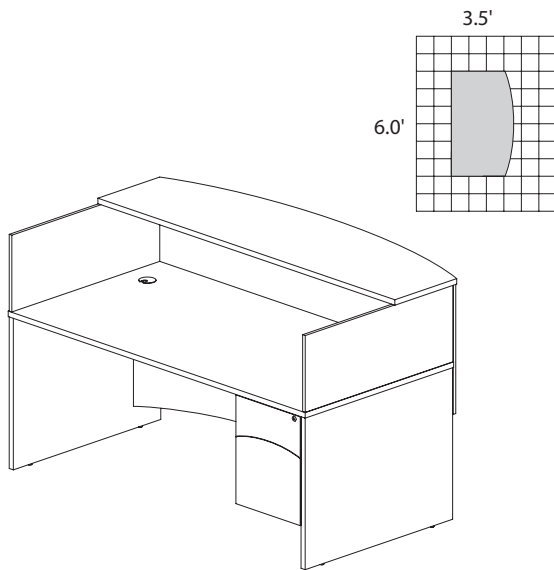
**BRIGHTON TYPICAL #26**

Consists of:

QTY.	MODEL NO.	DESCRIPTION	LIST PRICE EACH
2	<b>BTC</b> D7224	Credenza Shell 72"W x 24"D	\$389
2	<b>BTH</b> W72	Hutch with Wood Doors 72"W	\$600
2	<b>BTR</b> 4824	Return 48"W x 24"D	\$263
1	<b>BTP</b> T7236	Peninsula Table 72"W x 36"D	\$673
2	<b>BTB</b> F20M	Mobile Pedestal B/B/F	\$446
1	<b>BTB</b> S36	Bookcase 3 Shelf	\$384

**BT26**

**TOTAL: \$4453**



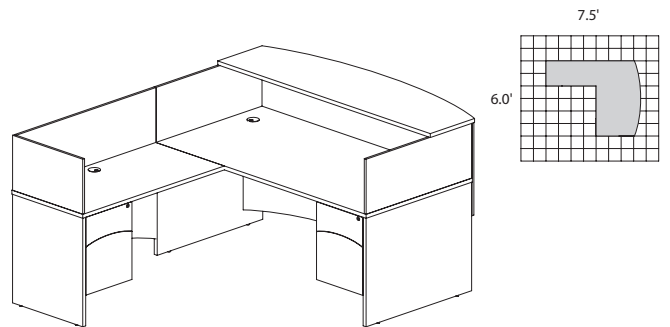
**BRIGHTON TYPICAL #27**

Consists of:

QTY.	MODEL NO.	DESCRIPTION	LIST PRICE EACH
1	<b>BTR</b> D7236	Rectangular Desk 72"W x 36"D	\$497
1	<b>BTR</b> DTC	Reception Counter	\$331
1	<b>BTB</b> F20	Suspended Pedestal	\$333

**BT27**

**TOTAL: \$1161**



**BRIGHTON TYPICAL #28**

Consists of:

QTY.	MODEL NO.	DESCRIPTION	LIST PRICE EACH
1	<b>BTR</b> D7236	Rectangular Desk 72"W x 36"D	\$497
1	<b>BTR</b> 4824	Return 48"W x 36"D	\$263
2	<b>BTB</b> F20	Suspended Pedestal	\$333
1	<b>BTR</b> DTC	Reception Counter	\$331
1	<b>BTR</b> RS2	Reception Screen	\$135

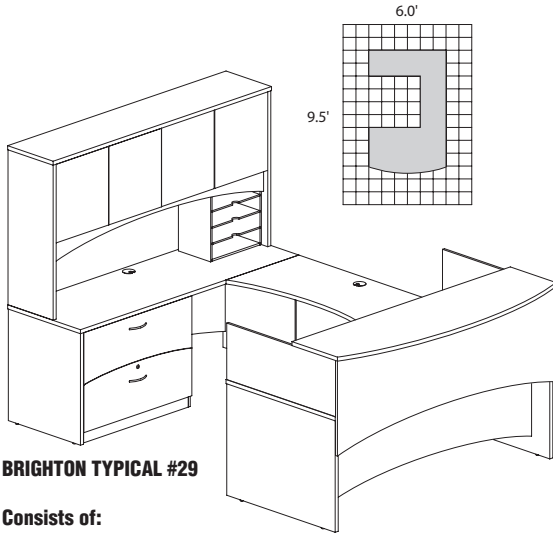
**BT28**

**TOTAL: \$1892**



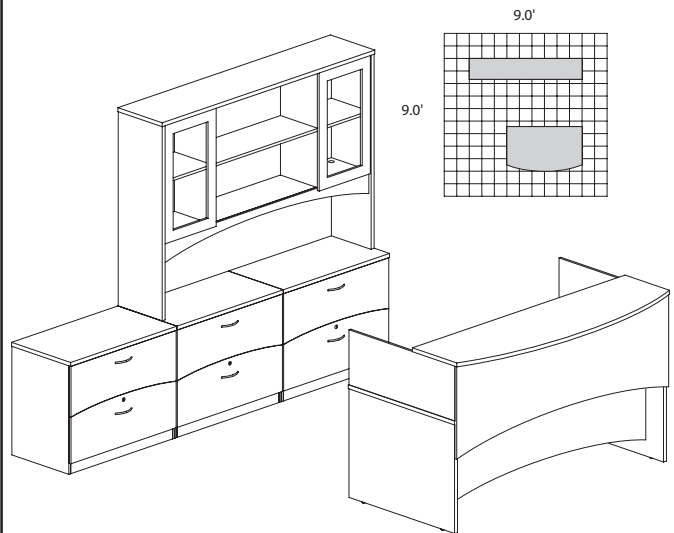
## BRIGHTON SERIES TYPICALS

- Order complete suites using "BT\_\_" models.

**BRIGHTON TYPICAL #29**

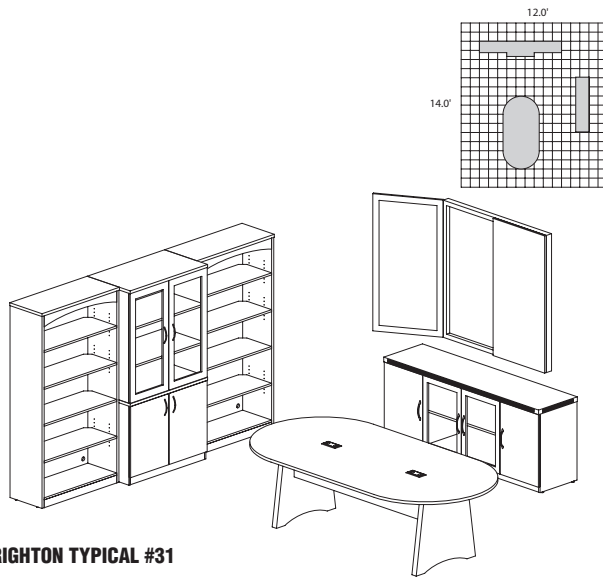
Consists of:

QTY.	MODEL NO.	DESCRIPTION	LIST PRICE EACH
1	<b>BTRD7236</b>	Rectangular Desk 72"W x 36"D	\$497
1	<b>BTRDTC</b>	Reception Counter	\$331
1	<b>BTBF20</b>	Suspended Pedestal	\$333
1	<b>BTB4824</b>	Curved Bridge 48"W x 24"D	\$223
1	<b>BTCD7224</b>	Credenza Shell 72"W x 24"D	\$389
1	<b>BTHW72</b>	Hutch with Wood Doors 72"W	\$600
1	<b>BTPM</b>	Paper Management	\$159
1	<b>BTFLF36</b>	Freestanding Lateral File	\$772

**BT29****TOTAL: \$3304****BRIGHTON TYPICAL #30**

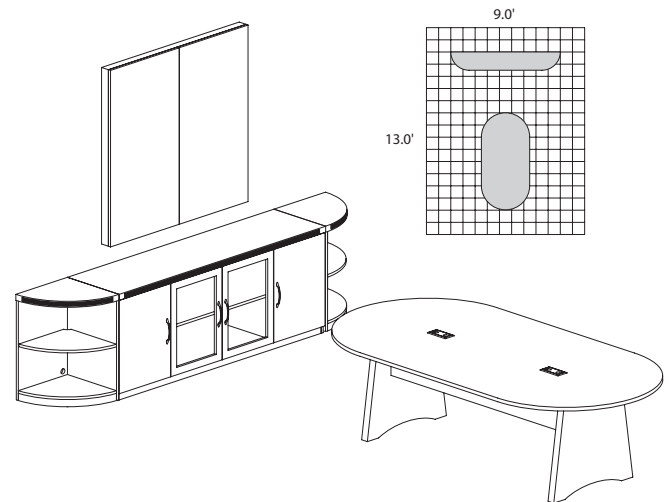
Consists of:

QTY.	MODEL NO.	DESCRIPTION	LIST PRICE EACH
1	<b>BTRD7236</b>	Rectangular Desk 72"W x 36"D	\$497
1	<b>BTRDTC</b>	Reception Counter	\$331
3	<b>BTFLF36</b>	Freestanding Lateral File	\$772
1	<b>BTDHG72</b>	Hutch with Glass Doors 72"W	\$794

**BT30****TOTAL: \$3938****BRIGHTON TYPICAL #31**

Consists of:

QTY.	MODEL NO.	DESCRIPTION	LIST PRICE EACH
1	<b>BTCT8</b>	Conference Table 96"W x 48"D	\$744
2	<b>BTB5S36</b>	5-Shelf Bookcase	\$572
1	<b>BTSC</b>	Storage Cabinet	\$404
1	<b>BTGDC</b>	Glass Display Cabinet	\$671
1	<b>ALC</b>	Low Wall Cabinet 72"W x 24"D	\$1247
1	<b>AVPB</b>	Visual Presentation Board	\$858

**BT31****TOTAL: \$5068****BRIGHTON TYPICAL #32**

Consists of:

QTY.	MODEL NO.	DESCRIPTION	LIST PRICE EACH
1	<b>BTCT8</b>	Conference Table 96"W x 48"D	\$744
1	<b>ALC</b>	Low Wall Cabinet	\$1247
2	<b>ABQ2</b>	2-Shelf 1/4 Round	\$275
1	<b>AVPB</b>	Visual Presentation Board	\$858

**BT32****TOTAL: \$3399**

# ABERDEEN SERIES



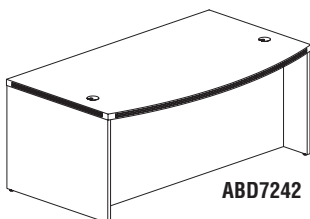
The Aberdeen Series of laminate casegoods combine fashionable aesthetics and unparalleled quality all in a package that is surprisingly affordable. Aberdeen's transitional style allows it to fit into any environment whether it be modular multi-station work areas or executive offices. Aberdeen provides exceptional abrasion and stain resistance along with technology and cable friendly components.

**Finishes:** Cherry and Mocha. **Now New Maple!**

**CARB Compliant:** Aberdeen's core materials comply with Phase 1 of CARB's formaldehyde emission limits of composite wood materials. **Complete product line in stock from both Arkansas and California distribution centers.** Ships standard within 72 hours.

- All models in all finishes are available on both the Kwik-Ship and Fast Freight delivery programs with no quantity limitations.
- Horizontal surfaces feature fluted, PVC edge.

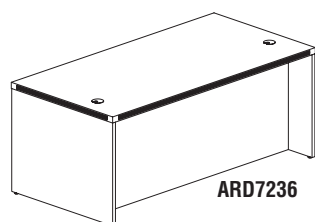
## BOW FRONT DESK



- 1 5/8" thick work surface.
- Modesty panel is recessed 14 1/2" at center.
- Full-height, vertical grain, modesty panel included.
- Two grommets in surface, standard.

Model No.	Description	Dimensions	Wt.	List Price
<b>ABD7242</b>	72" Bowfront Desk	72"W x 42"D x 29 1/2"H	233#	\$831
<b>ABD6642</b>	66" Bowfront Desk	66"W x 42"D x 29 1/2"H	220#	\$790

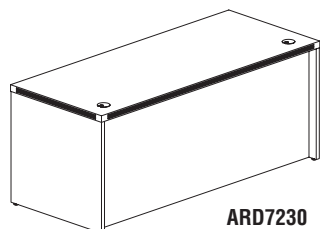
## CONFERENCE FRONT DESK



- 1 5/8" thick work surface.
- Full-height, vertical grain, modesty panel included.
- Modesty panel is recessed 8 1/2" at center.
- Two grommets in surface, standard.

Model No.	Description	Dimensions	Wt.	List Price
<b>ARD7236</b>	72" Rectangular Conference Desk	72"W x 36"D x 29 1/2"H	215#	\$720

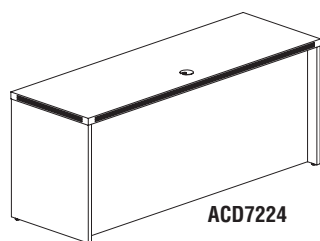
## STRAIGHT FRONT DESK



- 1 5/8" thick work surface.
- Full-height, vertical grain, modesty panel included.
- Modesty panel is recessed 2 1/2".
- Two grommets in surface, standard.

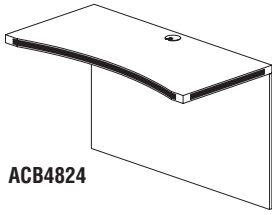
Model No.	Description	Dimensions	Wt.	List Price
<b>ARD7230</b>	72" Rectangular Desk	72"W x 30"D x 29 1/2"H	188#	\$665
<b>ARD6630</b>	66" Rectangular Desk	66"W x 30"D x 29 1/2"H	177#	\$622
<b>ARD6030</b>	60" Rectangular Desk	60"W x 30"D x 29 1/2"H	167#	\$581

## CREDENZA



- 1 5/8" thick work surface.
- Full-height, vertical grain, modesty panel included.
- Modesty panel is recessed 3" for outlet clearance.
- One grommet in surface, standard.
- Mouse hole in modesty panel for cable pass through.

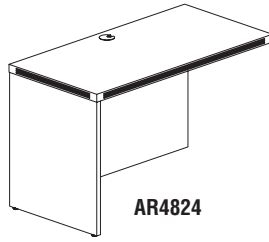
Model No.	Description	Dimensions	Wt.	List Price
<b>ACD7224</b>	72" Credenza	72"W x 24"D x 29 1/2"H	160#	\$581
<b>ACD6624</b>	66" Credenza	66"W x 24"D x 29 1/2"H	151#	\$554
<b>ACD6024</b>	60" Credenza	60"W x 24"D x 29 1/2"H	142#	\$526

**ABERDEEN SERIES****BRIDGE**

ACB4824

- Universal mounting to right or left side of desk.
- Not free-standing. Requires connection to credenza and desk.
- 1 5/8" thick work surface.
- Full-height, vertical grain modesty panel included.
- Modesty panel is flush.
- One grommet in surface, standard.
- Mouse hole in modesty panel for cable pass through.

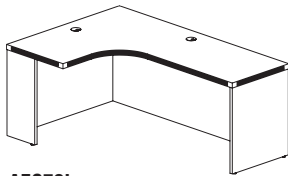
Model No.	Description	Dimensions	Wt.	List Price
<b>ACB4824</b>	48" Curved Bridge	48"W x 24"D x 29 1/2"H	74#	\$358
<b>ACB4224</b>	42" Curved Bridge	42"W x 24"D x 29 1/2"H	63#	\$331

**RETURN**

AR4824

- Returns are non-handed.
- Not free-standing. Requires connection to credenza, desk or extended corner.
- Mouse hole in modesty panel for cable pass through.
- Modesty panel is flush.
- One grommet in surface, standard.
- 1 5/8" thick work surface.
- Full-height, vertical grain modesty panel included.

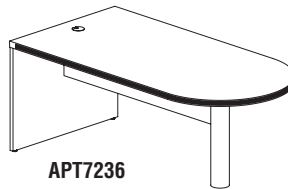
Model No.	Description	Dimensions	Wt.	List Price
<b>AR4824</b>	48" Return	48"W x 24"D x 29 1/2"H	105#	\$415
<b>AR4224</b>	42" Return	42"W x 24"D x 29 1/2"H	96#	\$374
<b>AR3624</b>	36" Return	36"W x 24"D x 29 1/2"H	87#	\$345

**EXTENDED CORNER**

AEC72L

- 1 5/8" thick work surface.
- Full-height, vertical grain, modesty panel included.
- Modesty panel is recessed 3" for outlet clearance on desk side and flush on return side.
- Two grommets in surface, standard.
- Mouse hole in modesty panel (desk side) for cable pass through.

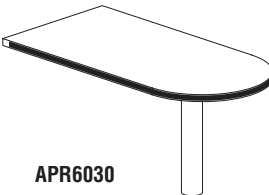
Model No.	Description	Dimensions	Wt.	List Price
<b>AEC72L</b>	72" Left Extended Corner Table	72"W x 48"D x 24"D Return	218#	\$928
<b>AEC72R</b>	72" Right Extended Corner Table	72"W x 48"D x 24"D Return	218#	\$928

**FREESTANDING PENINSULA DESK**

APT7236

- 1 5/8" thick work surface.
- Modesty panel is 12"H.
- One grommet in surface, standard.
- Mouse hole in modesty panel for cable pass through.
- Does not accommodate a center drawer.

Model No.	Description	Dimensions	Wt.	List Price
<b>APT7236</b>	72" Freestanding Peninsula	72"W x 36"D x 29 1/2"H	172#	\$802

**PENINSULA RETURN**

APR6030

- Not free-standing. Requires connection to credenza or desk.
- No grommet.
- No modesty panel.

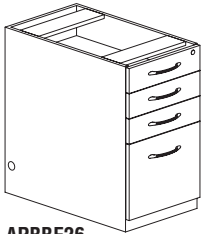
Model No.	Description	Dimensions	Wt.	List Price
<b>APR6030</b>	60" Peninsula Return	60"W x 30"D x 29 1/2"H	80#	\$548

**PEDESTAL FILE FOR DESK**



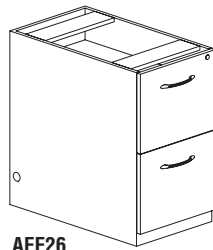
**APBF26**

- Pedestals have integrated cable management access at top and bottom of ped.
- Ped tops are unfinished. Must be attached to underside of surface.
- Pedestals feature dual-purpose pencil drawers for storing supplies or storing laptop computers.
- All locks are keyed alike. Lock cores are removable for keying suites individually.
- Curved metal pulls with brushed nickel finish.
- File drawers accommodate letter or legal size hanging file folders.
- Pedestals ship fully assembled.



**APBBF26**

Model No.	Description	Dimensions	Wt.	List Price
<b>APBF26</b>	Suspended Desk PBF Ped	15 1/4"W x 26 1/2"D x 22 1/2"H	76#	\$456
<b>APBBF26</b>	Desk PBBF Ped	15 1/4"W x 26 1/2"D x 27 1/2"H	90#	\$622
<b>AFF26</b>	Desk FF Ped	15 1/4"W x 26 1/2"D x 27 1/2"H	86#	\$595



**AFF26**

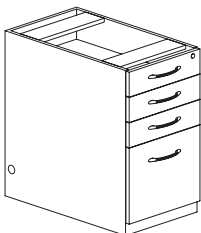
**PEDESTAL FILE FOR CREDENZA/RETURN/EXTENDED CORNER**



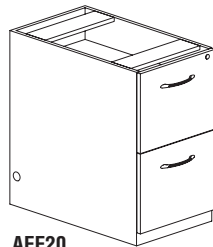
**APBF20**

- Pedestals have integrated cable management access at top and bottom of ped.
- Ped tops are unfinished. Must be attached to underside of surface.
- Pedestals feature dual-purpose pencil drawers for storing supplies or storing laptop computers.
- All locks are keyed alike. Lock cores are removable for keying suites individually.
- Mobile kit contains 1" thick surface and five (5) casters to be used ONLY on the APBF20.
- Curved metal pulls with brushed nickel finish.
- File drawers accommodate letter or legal size hanging file folders.
- Pedestals ship fully assembled.

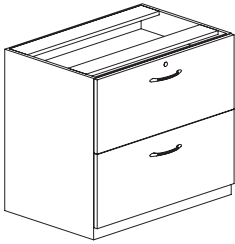
Model No.	Description	Dimensions	Wt.	List Price
<b>APBF20</b>	Suspended Credenza PBF Ped	15 1/4"W x 20"D x 22 1/2 "H	66#	\$410
<b>APBBF20</b>	Credenza PBBF Ped	15 1/4"W x 20"D x 27 1/2 "H	75#	\$554
<b>AFF20</b>	Credenza FF Ped	15 1/4"W x 20"D x 27 1/2 "H	74#	\$526
<b>AMK20</b>	Mobile Kit		14#	\$138



**APBBF20**



**AFF20**

**ABERDEEN SERIES****LATERAL FILE FOR CREDENZA/RETURN/EXTENDED CORNER****ACLF30**

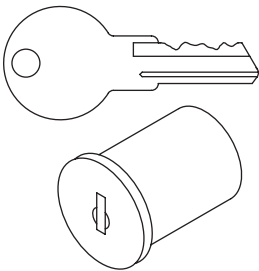
- Credenza Laterals slide easily under any surface.
- Credenza Lateral top is unfinished.
- Drawers can support up to 150 lbs. each.
- Curved metal pulls with brushed nickel finish.
- All locks are keyed alike. Lock cores are removable for keying suites individually.

Model No.	Description	Dimensions	Wt.	List Price
<b>ACLF30</b>	30" Credenza Lateral File	30"W x 20"D x 27 1/2"H	110#	\$677
<b>ACLF36</b>	36" Credenza Lateral File	36"W x 20"D x 27 1/2"H	126#	\$762

**FREESTANDING LATERAL FILE****AFLF30**

- 1 5/8" surface allows it to be used alone or next to any credenza or return.
- Drawers can support up to 150 lbs. each.
- Drawers can be configured for front-to-back or side-to-side filing.
- Curved metal pulls with brushed nickel finish.
- All locks are keyed alike. Lock cores are removable for keying suites individually.

Model No.	Description	Dimensions	Wt.	List Price
<b>AFLF30</b>	30" Freestanding Lateral File	30"W x 24"D x 29 1/2"H	201#	\$900
<b>AFLF36</b>	36" Freestanding Lateral File	36"W x 24"D x 29 1/2"H	240#	\$968

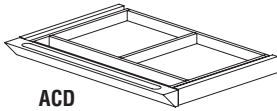
**REPLACEMENT LOCK CORES****REALCC0100**

- Allows pedestals and laterals to be keyed uniquely.
- Master key available.
- Must purchase a core removal tool to change locks cores.

Model No.	Description	Wt.	List Price
<b>REALCC0100</b>	Replacement core with keys	1#	\$20
<b>REALCC0101</b>	Replacement core with keys	1#	\$20
<b>REALCC0102</b>	Replacement core with keys	1#	\$20
<b>REALCC0103</b>	Replacement core with keys	1#	\$20
<b>REALCC0104</b>	Replacement core with keys	1#	\$20
<b>REALCC0105</b>	Replacement core with keys	1#	\$20
<b>REALCC0106</b>	Replacement core with keys	1#	\$20
<b>REALCC0107</b>	Replacement core with keys	1#	\$20
<b>REALCC0108</b>	Replacement core with keys	1#	\$20
<b>REALCC0109</b>	Replacement core with keys	1#	\$20
<b>REALCC0110</b>	Replacement core with keys	1#	\$20
<b>REALCC0111</b>	Replacement core with keys	1#	\$20
<b>REALCC0112</b>	Replacement core with keys	1#	\$20
<b>REALCC0113</b>	Replacement core with keys	1#	\$20
<b>REALCC0114</b>	Replacement core with keys	1#	\$20
<b>REALCCRC</b>	Core removal tool	1#	\$20
<b>REALCCMK</b>	Master Key	1#	\$20

## ABERDEEN SERIES

### CENTER DRAWER

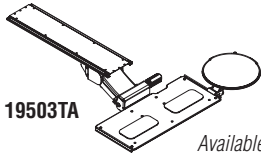


ACD

- Can be used under any worksurface (except APT7236 Peninsula Desk).
- Solid wood frame construction.
- Drawer operates smoothly on full-extension ball bearing suspension.
- Available in graphite with black drawer front only.

Model No.	Description	Dimensions	Wt.	List Price
ACD	Center Drawer	25"W x 18"D x 2"H	32#	\$165

### KEYBOARD SUPPORTS

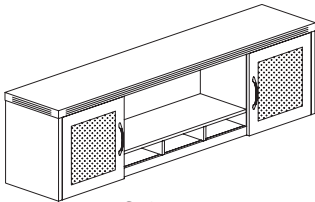


19503TA

Available in Black Only.

Model No.	Description	Wt.	List Price
19503TA	Combination keyboard/mouse platform 19"W x 8 1/4"D, 9"Dia. mouse platform	15#	\$545

### WALL MOUNT HUTCH

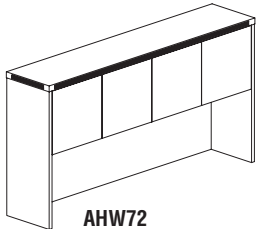


AWG72

- Hutch with two textured glass doors, central opening and pigeon hole slots.
- Central opening sized for binder storage.
- Wall mounting brackets included.
- Curved metal pulls with brushed nickel finish.
- Maximum 150 lb. weight capacity.

Model No.	Description	Dimensions	Wt.	List Price
AWG72	72" Wall Mount Hutch	72"W x 15"D x 19 1/8"H	121#	\$1108

### HUTCH WITH WOOD DOORS

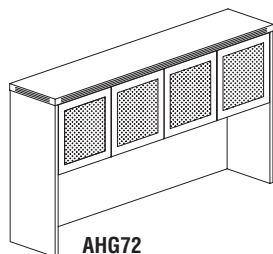


AHW72

- Features four cabinet styled doors with self-closing hinges.
- Back panel features two cable grommets.
- 21 1/2" clearance between work surface and bottom of shelf.
- Accepts optional fabric tack panel and task light.

Model No.	Description	Dimensions	Wt.	List Price
AHW72	72" Hutch with Wood Doors	72"W x 15"D x 39 1/8"H	142#	\$692
AHW66	66" Hutch with Wood Doors	66"W x 15"D x 39 1/8"H	134#	\$650
AHW60	60" Hutch with Wood Doors	60"W x 15"D x 39 1/8"H	126#	\$609

### HUTCH WITH GLASS DOORS



AHG72

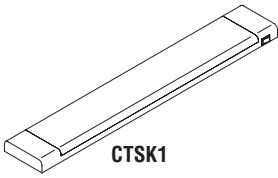
- Textured glass highlight cabinet contents and still provide privacy.
- Glass is tempered for safety and durability.
- Features four cabinet styled doors with self-closing hinges.
- Back panel features two cable grommets.
- 21 1/2" clearance between work surface and bottom of shelf.
- Accepts optional fabric tack panel and task light.

Model No.	Description	Dimensions	Wt.	List Price
AHG72	72" Hutch with Glass Doors	72"W x 15"D x 39 1/8"H	142#	\$968



**ABERDEEN SERIES**

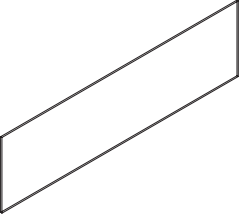
**HUTCH TASK LIGHT**



- Task lighting attaches to underside of hutch.
- Uses two energy efficient 13W T5 bulb.
- Includes diffuser lens.

Model No.	Description	Dimensions	Wt.	List Price
<b>CTSK1</b>	Task Light	25"W x 4"D x 1"H	5#	\$138

**HUTCH TACK PANEL**

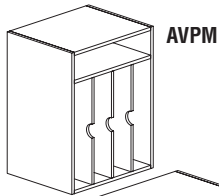


**AFTP72**

- Tack panel attaches to hutch back panel using adhesive tape.
- Allows for access to the hutch's grommet for cable management.
- Available in Black fabric only.

Model No.	Description	Dimensions	Wt.	List Price
<b>AFTP72</b>	72" Fabric Tack Panel	69 3/4"W x 1/2"D x 19 1/4"H	6#	\$193
<b>AFTP66</b>	66" Fabric Tack Panel	63 3/4"W x 1/2"D x 19 1/4"H	6#	\$165
<b>AFTP60</b>	60" Fabric Tack Panel	57 3/4"W x 1/2"D x 19 1/4"H	5#	\$150

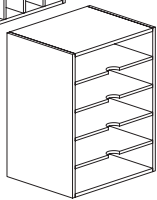
**PAPER MANAGEMENT ORGANIZERS**



**AVPM**

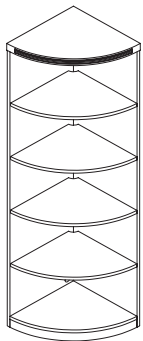
- Pigeon hole slots can accommodate "legal" sized documents.
- Sized to fit under hutch.

Model No.	Description	Dimensions	Wt.	List Price
<b>AVPM</b>	Vertical Paper Management	15"W x 11 3/4"D x 20 1/4"H	31#	\$193
<b>AHPM</b>	Horizontal Paper Management	15"W x 11 3/4"D x 20 1/4"H	32#	\$193



**AHPM**

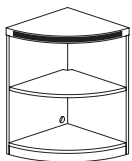
**BOOKCASES**



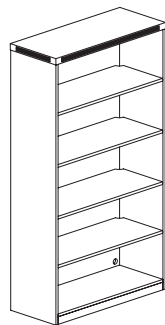
**ABQ5**

- Shelves are adjustable on 1 1/4" increments with 5" of total adjustment.
- Shelves contain corner mouse holes for vertical cable management.
- Back panel provides grommet for wall access.

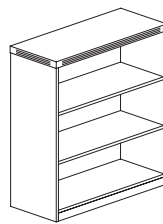
Model No.	Description	Dimensions	Wt.	List Price
<b>ABQ5</b>	5 Shelf Quarter Round (1 fixed shelf)	18"W x 18"D x 68 3/4"H	108#	\$526
<b>ABQ2</b>	2 Shelf Quarter Round (1 fixed shelf)	18"W x 18"D x 29 1/2"H	80#	\$275
<b>AB5S36</b>	5 Shelf Bookcase (1 fixed shelf)	36"W x 15"D x 68 3/4"H	175#	\$650
<b>AB3S36</b>	3 Shelf Bookcase	36"W x 15"D x 39 1/8"H	117#	\$539
<b>AB2S36</b>	2 Shelf Bookcase	36"W x 15"D x 29 1/2"H	93#	\$442



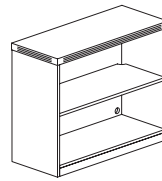
**ABQ2**



**AB5S36**



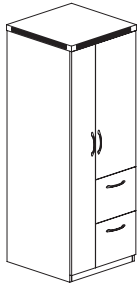
**AB3S36**



**AB2S36**

## ABERDEEN SERIES

### PERSONAL STORAGE TOWER

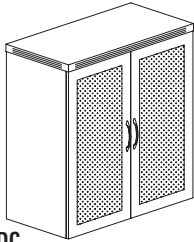


APST

- Includes 7 3/4" wardrobe section with a hanging rod and 4 adjustable shelves.
- Storage section includes two adjustable shelves on 1 1/4" increments with a total of 5" of adjustment.
- File section includes two file drawers.
- Curved metal pulls with brushed nickel finish. Additional pull options available.
- Ships in two cartons.

Model No.	Description	Dimensions	Wt.	List Price
APST	Personal Storage Tower	24"W x 24"D x 68 3/4"H	248#	\$1108

### GLASS DISPLAY CABINET

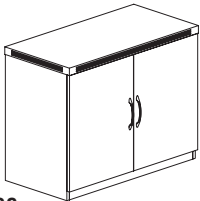


AGDC

- Textured glass highlight cabinet contents and still provide privacy.
- Glass is tempered for safety and durability.
- Two (2) adjustable shelves on 1 1/4" increments with a total of 5" of adjustment.
- Curved metal pulls with brushed nickel finish. Additional pull options available.
- Grommet in back panel for wall access.
- Mouse hole in shelf to permit vertical routing of cables.

Model No.	Description	Dimensions	Wt.	List Price
AGDC	Glass Display Cabinet	36"W x 18"D x 39 1/4"H	135#	\$900

### STORAGE CABINET

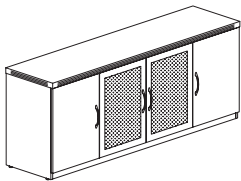


ASC

- Self-closing hinged doors.
- One shelf adjustable on 1 1/4" increments with a total of 5" of adjustment.
- Shelf contains corner mouse hole for vertical cable management.
- Mouse hole in back panel for wall access.
- Curved metal pulls with brushed nickel finish. Additional pull options available.

Model No.	Description	Dimensions	Wt.	List Price
ASC	Storage Cabinet	36"W x 18"D x 29 1/2"H	132#	\$692

### LOW WALL CABINET



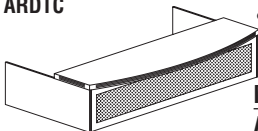
ALC

- Self-closing hinged doors.
- One shelf per compartment adjustable on 1 1/4" increments with a total of 5" of adjustment. (3 shelves total)
- Shelves contain corner mouse hole for vertical cable management.
- Mouse hole in back panel for wall access.
- Curved metal pulls with brushed nickel finish standard. Also includes Brighton handles. Additional pull options available.

Model No.	Description	Dimensions	Wt.	List Price
ALC	Low Wall Cabinet	72"W x 18"D x 29 1/2"H	173#	\$1247

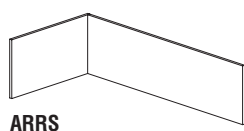
### RECEPTION ACCESSORIES

ARDTC



- For main reception desk. To be used on ARD7236.
- Textured glass front panel.
- 1 5/8" thick bow front transaction counter. 6" overhang.
- Transaction counter measures 72"H x 21"D x 15 5/8"H.

Model No.	Description	Dimensions	Wt.	List Price
ARDTC	72" Reception Transaction Counter	72"W x 42"D x 15 5/8"H	113#	\$650



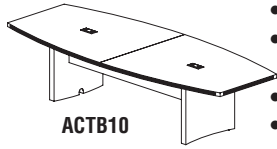
ARRS

- To be used on top of desk return AR4824.
- Reception screen is symmetrical and non-handed.

Model No.	Description	Dimensions	Wt.	List Price
ARRS	48" Reception Return Screen	48"W x 24"D x 14"H	28#	\$219

## ABERDEEN SERIES

### CONFERENCE TABLES



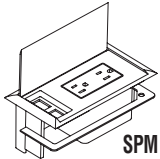
ACTB10

- 1 5/8" thick work surface.
- Surfaces feature hollow core construction.
- Boat-shaped conference tables standard with two grommets (6' has one centered grommet).
- Boat-shaped conference tables accept power module for power and data access to operate computers and presentation equipment during meetings.
- Round conference tables have one round grommet.
- Conference table legs have cable chimney for concealed cable management from surface to floor.
- Tops larger than 96" have multi-piece top surfaces connected via steel cam post and steel connecting plates.
- Large conference tables ship in multiple cartons.
- Structural modesty panel conceals horizontal cable management.




ACTR42

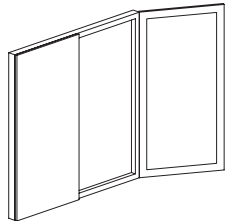
Model No.	Description	Dimensions	Wt.	List Price
ACTB18	18' Conference Table, Boat Surface	216"W x 48"D x 29 1/2"H	650#	\$3299
ACTB12	12' Conference Table, Boat Surface	144"W x 48"D x 29 1/2"H	500#	\$1918
ACTB10	10' Conference Table, Boat Surface	120"W x 48"D x 29 1/2"H	416#	\$1604
ACTB8	8' Conference Table, Boat Surface	96"W x 48"D x 29 1/2"H	344#	\$1326
ACTB6	6' Conference Table, Boat Surface	72"W x 36"D x 29 1/2"H	233#	\$915
ACTR42	42" Round Conference Table	42"Dia x 29 1/2"H	105#	\$645



SPM

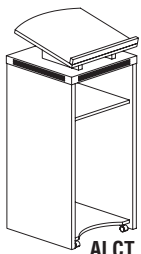
Model No.	Description	List Price
SPM 	6 1/4"W x 4"D x 1 1/2"H Optional Power Module, UL Listed [includes RJ11-Cat 3 coupler (phone) and RJ45 coupler (data)] – 6' power cord	\$273

### CONFERENCE ACCESSORIES



AVPB

Model No.	Description	Dimensions	Wt.	List Price
AVPB	Visual Presentation Board	48"W x 2 3/8"D x 48"H	80#	\$858



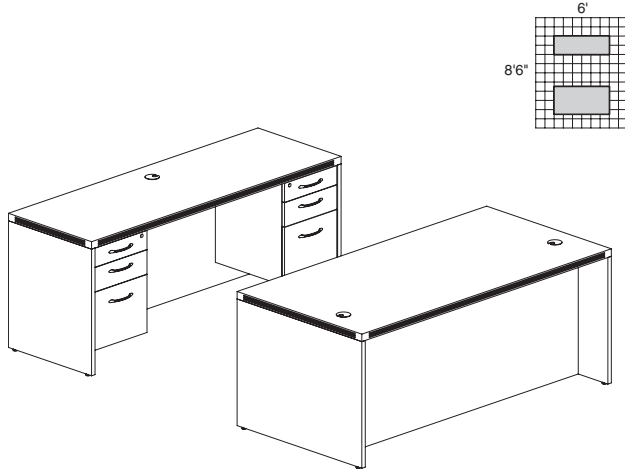
ALCT

- One fixed shelf.
- Four casters concealed in lectern base, non-locking.
- Angled stand has stop to prevent papers from sliding.
- Top surface has a grommet for cable pass-through.

Model No.	Description	Dimensions	Wt.	List Price
ALCT	Lectern	18"W x 18"D x 44"H	78#	\$497

# ABERDEEN SERIES TYPICALS

• Order complete suites using "AT\_\_" models.



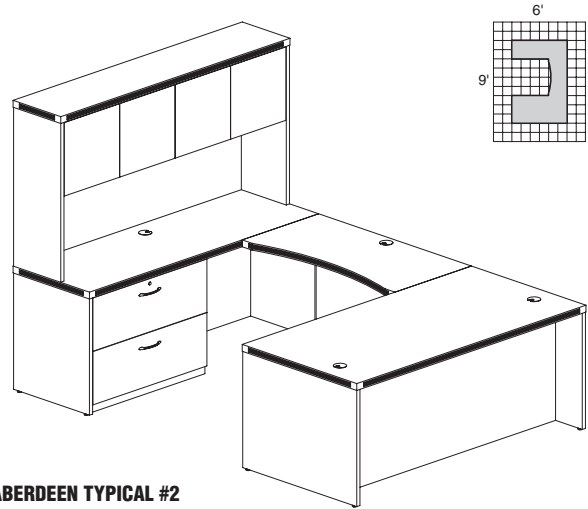
## ABERDEEN TYPICAL #1

Consists of:

QTY.	MODEL NO.	DESCRIPTION	LIST PRICE EACH
1	ARD7236	Rectangular Conference Desk 72"W x 36"D	\$720
1	ACD7224	Credenza 72"W x 24"D	\$581
2	APBF26	Suspended Desk Pencil/Box/File Pedestal	\$456
2	APBF20	Suspended Credenza Pencil/Box/File Pedestal	\$410

**AT1**

**TOTAL: \$3033**



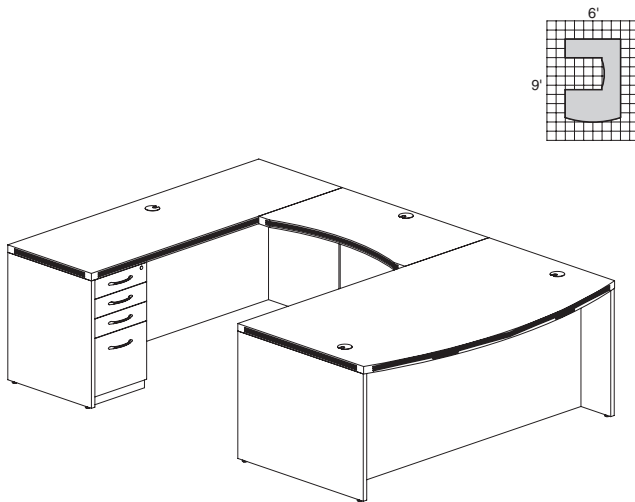
## ABERDEEN TYPICAL #2

Consists of:

QTY.	MODEL NO.	DESCRIPTION	LIST PRICE EACH
1	ARD7236	Rectangular Conference Desk 72"W x 36"D	\$720
1	ACD7224	Credenza 72"W x 24"D	\$581
1	ACB4824	Contour Bridge 48"W x 24"D	\$358
1	APBF26	Suspended Desk Pencil/Box/File Pedestal	\$456
1	ACLF36	Credenza Lateral File 36"W x 20"D	\$762
1	AHW72	Hutch with Wood Doors 72"W	\$692

**AT2**

**TOTAL: \$3569**



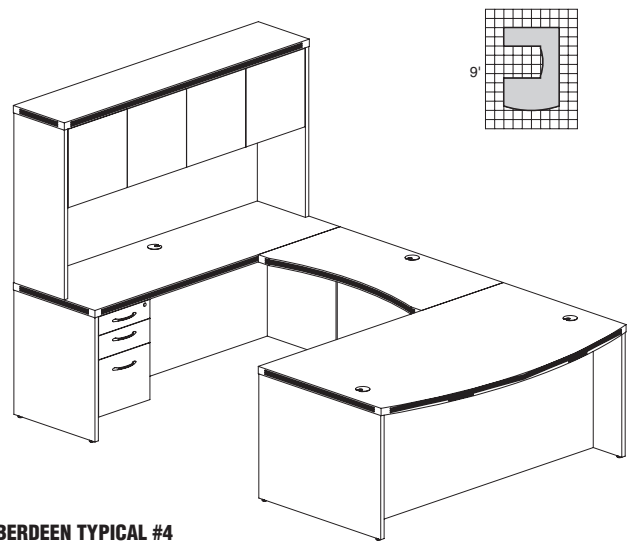
## ABERDEEN TYPICAL #3

Consists of:

QTY.	MODEL NO.	DESCRIPTION	LIST PRICE EACH
1	ABD7242	Bowfront Desk 72"W x 42"D	\$831
1	ACD7224	Credenza 72"W x 24"D	\$581
1	ACB4224	Contour Bridge 42"W x 24"D	\$331
1	APBBF26	Desk Pencil/Box/Box/File Pedestal	\$622
1	APBBF20	Credenza Pencil/Box/Box/File Pedestal	\$554

**AT3**

**TOTAL: \$2919**



## ABERDEEN TYPICAL #4

Consists of:

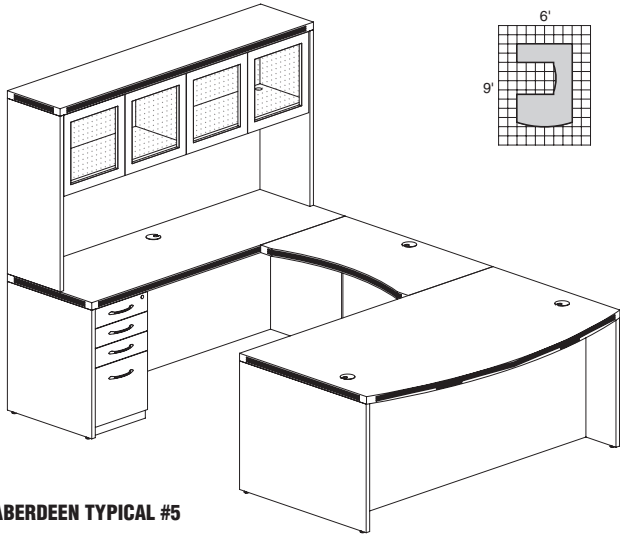
QTY.	MODEL NO.	DESCRIPTION	LIST PRICE EACH
1	ABD7242	Bowfront Desk 72"W x 42"D	\$831
1	ACD7224	Credenza 72"W x 24"D	\$581
1	ACB4824	Contour Bridge 48"W x 24"D	\$358
1	APBF26	Suspended Desk Pencil/Box/File Pedestal	\$456
1	APBF20	Suspended Credenza Pencil/Box/File Pedestal	\$410
1	AHW72	Hutch with Wood Doors 72"W	\$692

**AT4**

**TOTAL: \$3328**

**ABERDEEN TYPICALS**

• Order complete suites using "AT\_" models.



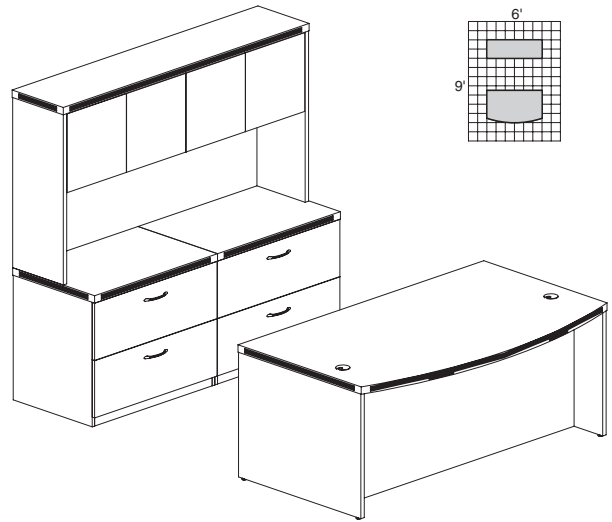
**ABERDEEN TYPICAL #5**

Consists of:

QTY.	MODEL NO.	DESCRIPTION	LIST PRICE EACH
1	ABD7242	Bowfront Desk 72"W x 42"D	\$831
1	ACD7224	Credenza 72"W x 24"D	\$581
1	ACB4224	Contour Bridge 42"W x 24"D	\$331
1	APBBF26	Desk Pencil/Box/Box/File Pedestal	\$622
1	APBBF20	Credenza Pencil/Box/Box/File Pedestal	\$554
1	AHG72	Hutch with Glass Doors 72"W	\$968

**AT5**

**TOTAL: \$3887**



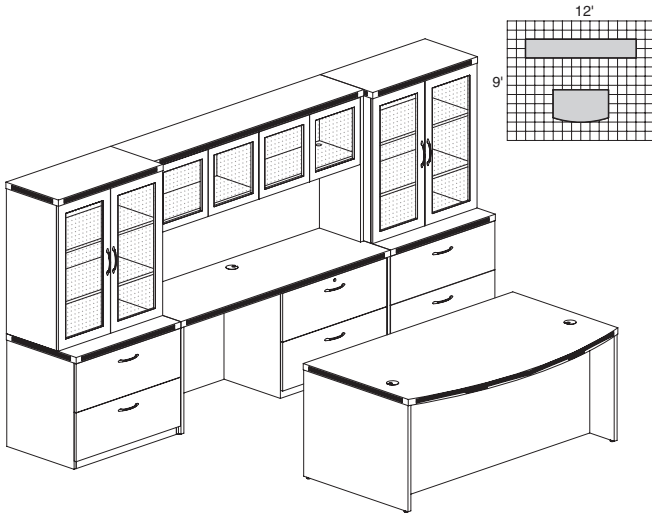
**ABERDEEN TYPICAL #6**

Consists of:

QTY.	MODEL NO.	DESCRIPTION	LIST PRICE EACH
1	ABD7242	Bowfront Desk 72"W x 24"D	\$831
1	APBF26	Suspended Desk Pencil/Box/File Pedestal	\$456
1	APBF26	Suspended Desk Pencil/Box/File Pedestal	\$456
2	AFLF36	Freestanding Lateral File 36"W x 24"D	\$968
1	AHW72	Hutch with Wood Doors 72"W	\$692

**AT6**

**TOTAL: \$4371**



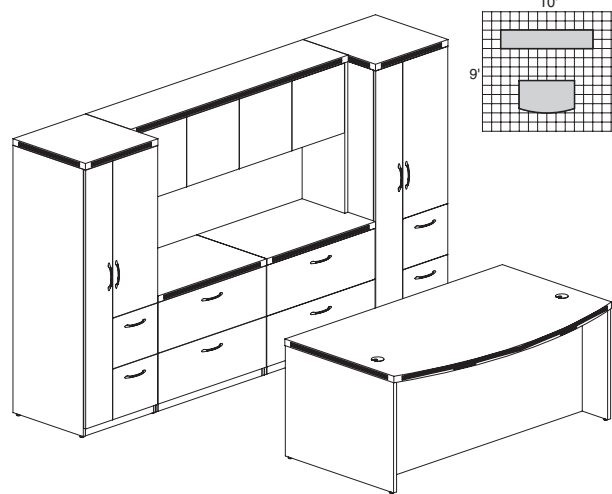
**ABERDEEN TYPICAL #7**

Consists of:

QTY.	MODEL NO.	DESCRIPTION	LIST PRICE EACH
1	ABD7242	Bowfront Desk 72"W x 42"D	\$831
1	ACD7224	Credenza 72"W x 24"D	\$581
2	AFLF36	Freestanding Lateral File 36"W x 24"D	\$968
1	ACLF36	Credenza Lateral File 36"W x 20"D	\$762
2	AGDC	Glass Display Cabinet	\$900
2	APBF26	Suspended Desk Pencil/Box/File Pedestal	\$456
1	AHG72	Hutch with Glass Doors 72"W	\$968

**AT7**

**TOTAL: \$7790**



**ABERDEEN TYPICAL #8**

Consists of:

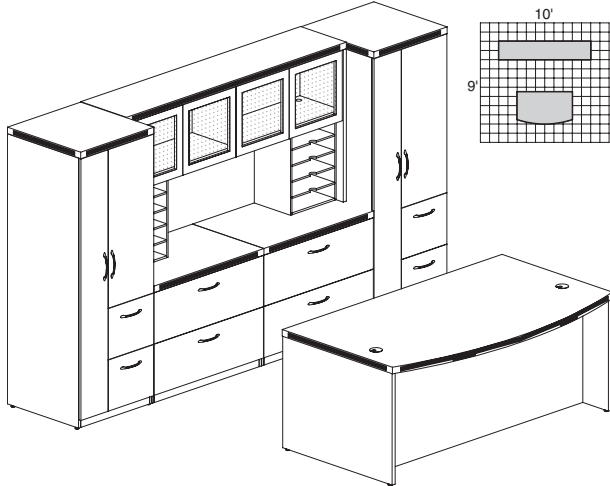
QTY.	MODEL NO.	DESCRIPTION	LIST PRICE EACH
1	ABD7242	Bowfront Desk 72"W x 42"D	\$831
1	APBBF26	Desk Pencil/Box/Box/File Pedestal	\$622
1	AFF26	Desk File/File Pedestal	\$595
2	AFLF36	Freestanding Lateral File 36"W x 24"D	\$968
2	APST	Personal Storage Tower	\$1108
1	AHW72	Hutch with Wood Doors 72"W	\$692

**AT8**

**TOTAL: \$6892**

**ABERDEEN TYPICALS**

• Order complete suites using "AT\_\_" models.

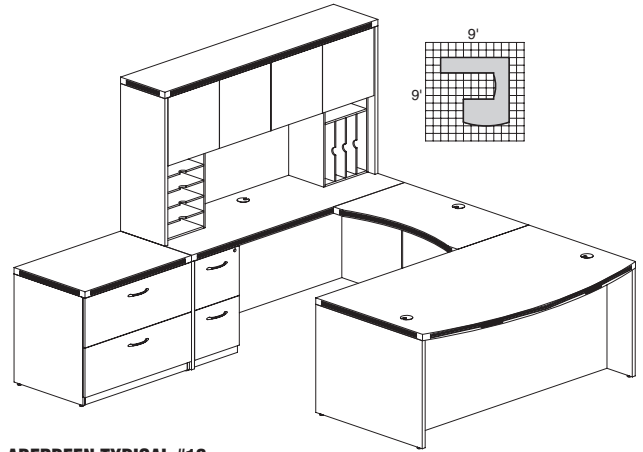


**ABERDEEN TYPICAL #9**

Consists of:			
QTY.	MODEL NO.	DESCRIPTION	LIST PRICE EACH
1	ABD7242	Bowfront Desk 72"W x 42"D	\$831
1	APBBF26	Desk Pencil/Box/Box/File Pedestal	\$622
1	AFF26	Desk File/File Pedestal	\$595
2	AFLF36	Freestanding Lateral File 36"W x 24"D	\$968
2	APST	Personal Storage Tower	\$1108
1	AHG72	Hutch with Glass Doors 72"W	\$968
2	AHPM	Horizontal Paper Management	\$193

**AT9**

**TOTAL: \$7554**

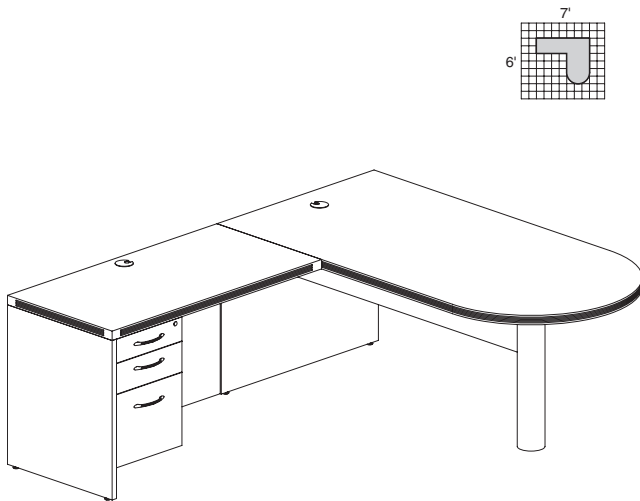


**ABERDEEN TYPICAL #10**

Consists of:			
QTY.	MODEL NO.	DESCRIPTION	LIST PRICE EACH
1	ABD7242	Bowfront Desk 72"W x 42"D	\$831
1	ACB4224	Contour Bridge 42"W x 24"D	\$331
1	ACD7224	Credenza 72"W x 24"D	\$581
1	APBBF26	Desk Pencil/Box/Box/File Pedestal	\$622
1	AFF20	Credenza File/File Pedestal	\$526
1	AFLF36	Freestanding Lateral File 36"W x 24"D	\$968
1	AHW72	Hutch with Wood Doors 72"W	\$692
1	AHPM	Horizontal Paper Management	\$193
1	AVPM	Vertical Paper Management	\$193

**AT10**

**TOTAL: \$4937**

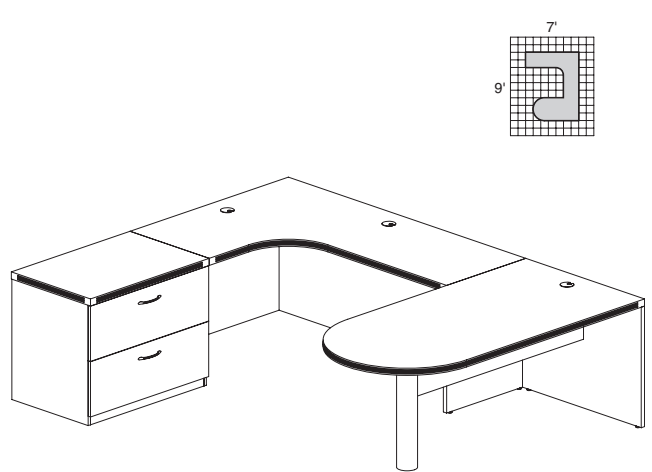


**ABERDEEN TYPICAL #11**

Consists of:			
QTY.	MODEL NO.	DESCRIPTION	LIST PRICE EACH
1	APT7236	Freestanding Peninsula 72"W x 36"D	\$802
1	AR4824	Return 48"W x 24"D	\$415
1	APBF20	Suspended Credenza Pencil/Box/File Pedestal	\$410

**AT11**

**TOTAL: \$1627**



**ABERDEEN TYPICAL #12**

Consists of:			
QTY.	MODEL NO.	DESCRIPTION	LIST PRICE EACH
1	APT7236	Freestanding Peninsula 72"W x 36"D	\$802
1	AEC72L	Extended Corner, Left 72"W x 48"D	\$928
1	AFLF36	Freestanding Lateral File 36"W x 24"D	\$968

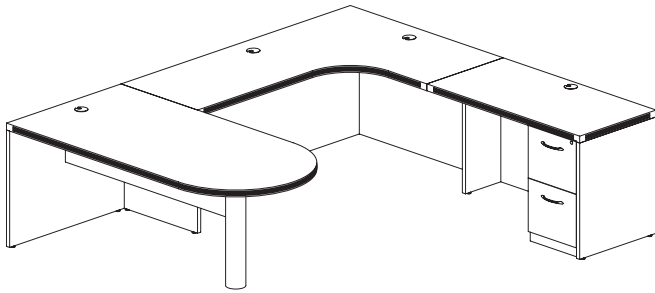
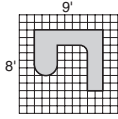
**AT12**

**TOTAL: \$2698**



**ABERDEEN TYPICALS**

• Order complete suites using "AT\_" models.



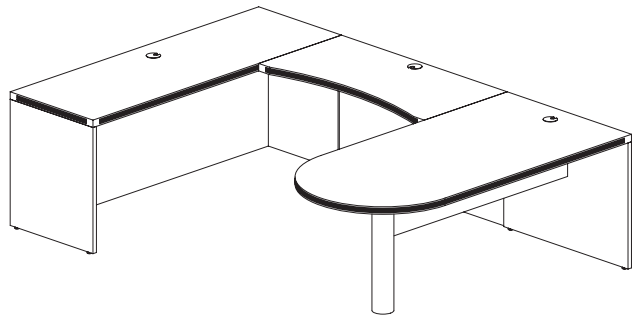
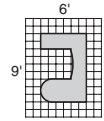
**ABERDEEN TYPICAL #13**

Consists of:

QTY.	MODEL NO.	DESCRIPTION	LIST PRICE EACH
1	APT7236	Freestanding Peninsula 72"W x 36"D	\$802
1	AEC72R	Extended Corner, Right 72"W x 48"D	\$928
1	AR4824	Return 48"W x 24"D	\$415
1	AFF20	Credenza File/File Pedestal	\$526

**AT13**

**TOTAL: \$2671**



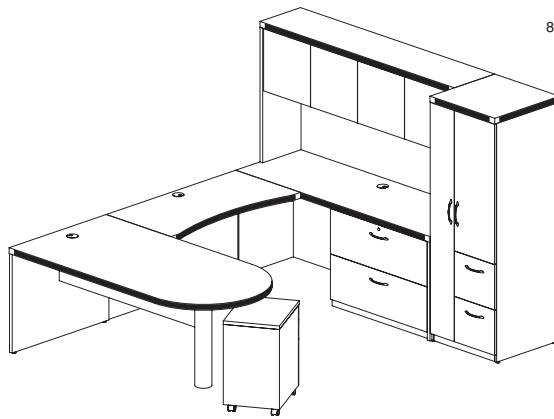
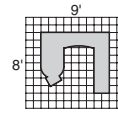
**ABERDEEN TYPICAL #14**

Consists of:

QTY.	MODEL NO.	DESCRIPTION	LIST PRICE EACH
1	APT7236	Freestanding Peninsula 72"W x 36"D	\$802
1	ACB4824	Contour Bridge 48"W x 24"D	\$358
1	ACD7224	Credenza 72"W x 24"D	\$581

**AT14**

**TOTAL: \$1741**



**ABERDEEN TYPICAL #15**

Consists of:

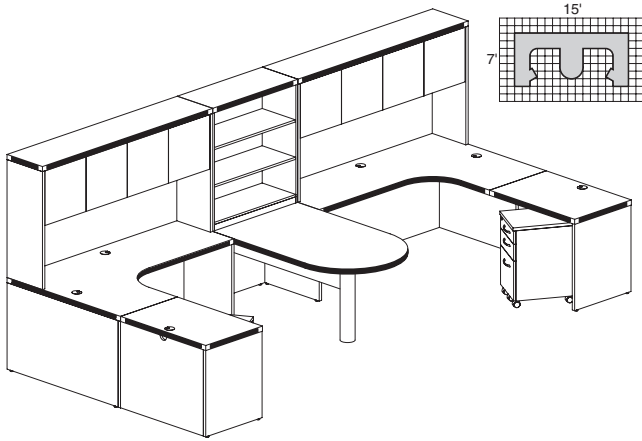
QTY.	MODEL NO.	DESCRIPTION	LIST PRICE EACH
1	APT7236	Freestanding Peninsula 72"W x 36"D	\$802
1	ACB4824	Contour Bridge 48"W x 24"D	\$358
1	ACD7224	Credenza 72"W x 24"D	\$581
1	AHW72	Hutch with Wood Doors 72"W	\$692
1	APST	Personal Storage Tower	\$1108
1	APBF20	Suspended Credenza Pencil/Box/File Pedestal	\$410
1	AMK20	Mobile Kit for Suspended Credenza Pedestals	\$138
1	ACLF36	Credenza Lateral File 36"W x 24"D	\$762

**AT15**

**TOTAL: \$4851**

## ABERDEEN TYPICALS

- Order complete suites using "AT\_" models.



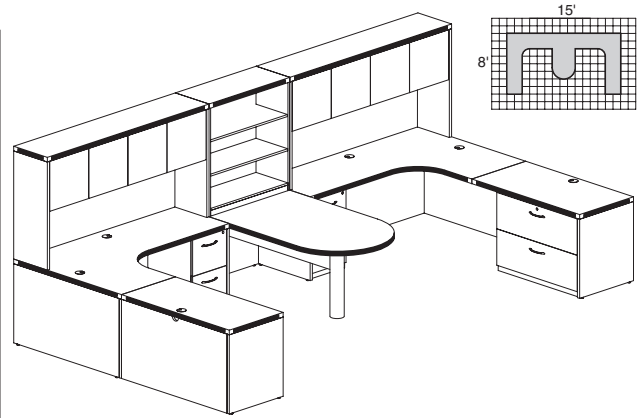
**ABERDEEN TYPICAL #17**

Consists of:

QTY.	MODEL NO.	DESCRIPTION	LIST PRICE EACH
1	APT7236	Freestanding Peninsula 72"W x 36"D	\$802
1	AEC72R	Extended Corner, Right 72"W x 48"D	\$928
1	AEC72L	Extended Corner, Left 72"W x 48"D	\$928
2	AR3624	Return 36"W x 24"D	\$345
2	APBF20	Suspended Credenza Pencil/Box/File Pedestal	\$410
2	AMK20	Mobile Kit for Suspended Credenza Pedestal	\$138
2	AHW72	Hutch with Wood Doors 72"W	\$692
1	AB3S36	3-Shelf Bookcase	\$539

**AT17**

**TOTAL: \$6367**



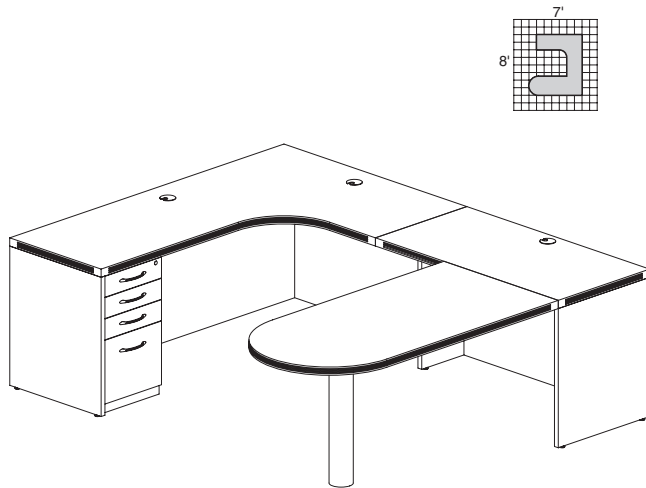
**ABERDEEN TYPICAL #18**

Consists of:

QTY.	MODEL NO.	DESCRIPTION	LIST PRICE EACH
1	APT7236	Freestanding Peninsula 72"W x 36"D	\$802
1	AEC72R	Extended Corner, Right 72"W x 48"D	\$928
1	AEC72L	Extended Corner, Left 72"W x 48"D	\$928
2	AFTP72	72" Fabric Tack Panel	\$193
2	AR4824	Return 48"W x 24"D	\$415
2	AFF20	Suspended Credenza Pencil/box/File Pedestal	\$526
2	ACLF36	Credenza Lateral File 36"W x 20"D	\$762
2	AHW72	Hutch with Wood Doors 72"W	\$692
1	AB3S36	3-Shelf Bookcase	\$539

**AT18**

**TOTAL: \$8373**



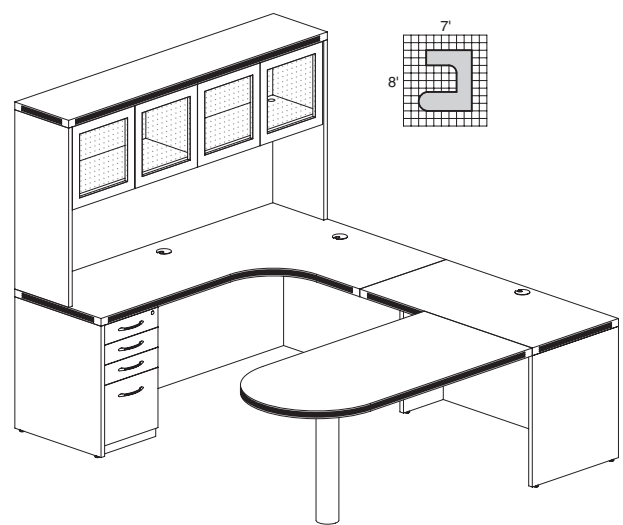
**ABERDEEN TYPICAL #19**

Consists of:

QTY.	MODEL NO.	DESCRIPTION	LIST PRICE EACH
1	AEC72R	Extended Corner, Right 72"W x 48"D	\$928
1	AR4824	Return 48"W x 24"D	\$415
1	APR6030	Peninsula Return 60"W x 30"D	\$548
1	APBBF20	Credenza Pencil/Box/Box/File Pedestal	\$554

**AT19**

**TOTAL: \$2445**



**ABERDEEN TYPICAL #20**

Consists of:

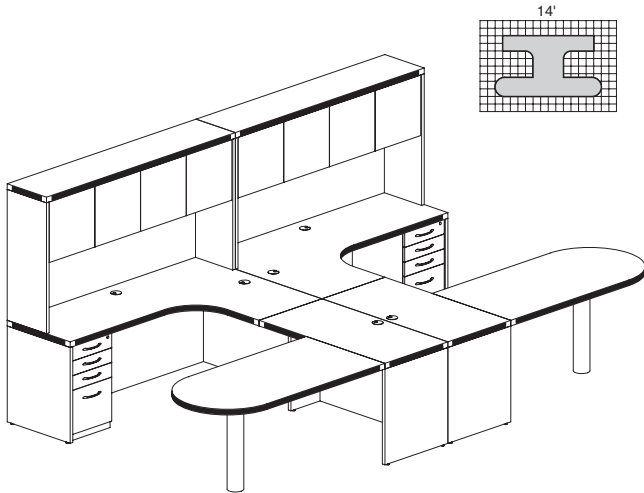
QTY.	MODEL NO.	DESCRIPTION	LIST PRICE EACH
1	AEC72R	Extended Corner, Right 72"W x 48"D	\$928
1	AR4824	Return 48"W x 24"D	\$415
1	APR6030	Peninsula Return 60"W x 30"D	\$548
1	APBBF20	Credenza Pencil/Box/Box/File Pedestal	\$554
1	AHG72	Hutch with Glass Doors 72"W	\$968

**AT20**

**TOTAL: \$3413**

**ABERDEEN TYPICALS**

• Order complete suites using "AT\_" models.



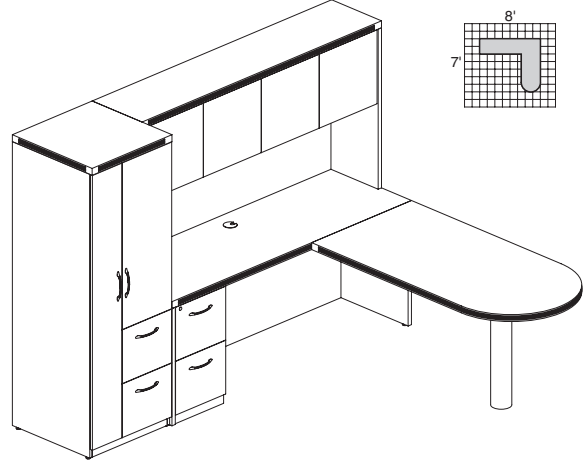
**ABERDEEN TYPICAL #21**

Consists of:

QTY.	MODEL NO.	DESCRIPTION	LIST PRICE EACH
1	AEC72R	Extended Corner, Right 72"W x 48"D	\$928
1	AEC72L	Extended Corner, Left 72"W x 48"D	\$928
2	AR4824	Return 48"W x 24"D	\$415
2	APR6030	Peninsula Return 60"W x 30"D	\$548
2	APBBF20	Credenza Pencil/Box/Box/File Pedestal	\$554
2	AHW72	Hutch with Wood Doors 72"W	\$692

**AT21**

**TOTAL: \$6274**



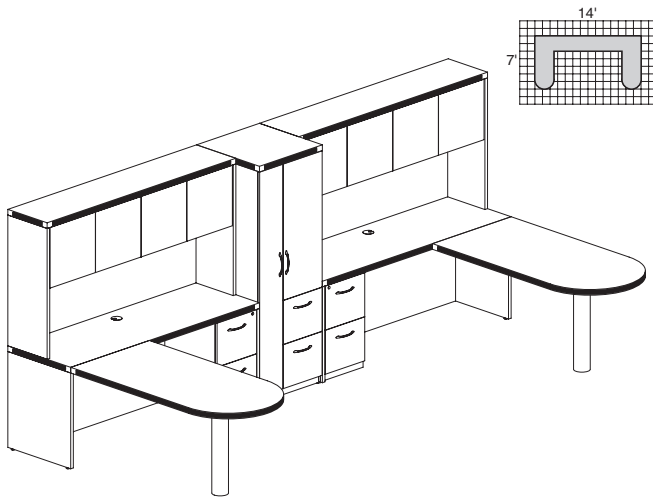
**ABERDEEN TYPICAL #22**

Consists of:

QTY.	MODEL NO.	DESCRIPTION	LIST PRICE EACH
1	APR6030	Peninsula Return 60"W x 30"D	\$548
1	ACD7224	Credenza 72"W x 24"D	\$581
1	AFF20	Credenza File/File Pedestal	\$526
1	APST	Personal Storage Tower	\$1108
1	AHW72	Hutch with Wood Doors 72"W	\$692

**AT22**

**TOTAL: \$3455**



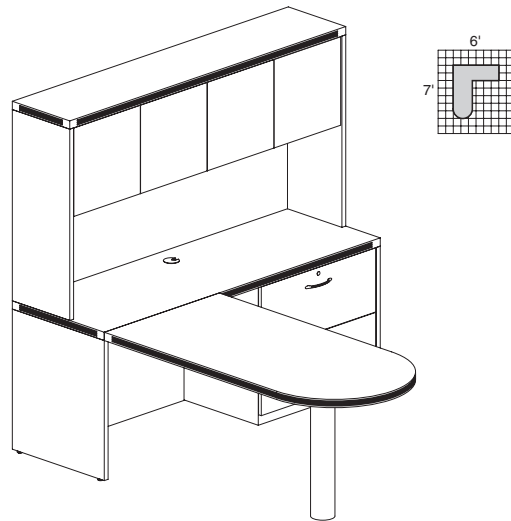
**ABERDEEN TYPICAL #23**

Consists of:

QTY.	MODEL NO.	DESCRIPTION	LIST PRICE EACH
2	APR6030	Peninsula Return 60"W x 30"D	\$548
2	ACD7224	Credenza 72"W x 24"D	\$581
2	AFF20	Credenza File/File Pedestal	\$526
1	APST	Personal Storage Tower	\$1108
2	AHW72	Hutch with Wood Doors	\$692

**AT23**

**TOTAL: \$5802**



**ABERDEEN TYPICAL #24**

Consists of:

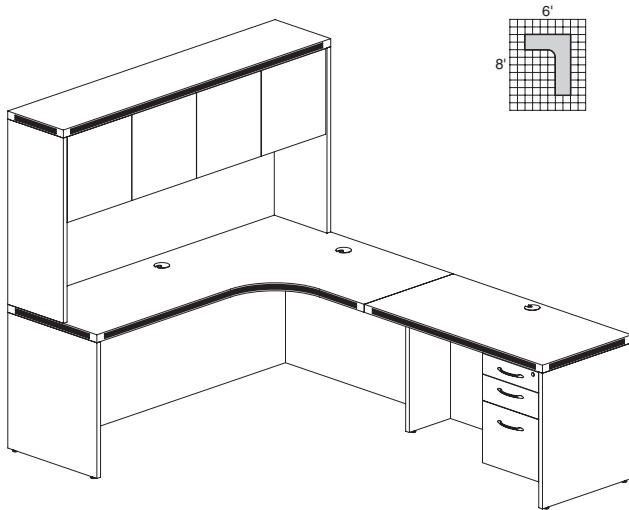
QTY.	MODEL NO.	DESCRIPTION	LIST PRICE EACH
1	APR6030	Peninsula Return 60"W x 30"D	\$548
1	ACD7224	Credenza 72"W x 24"D	\$581
1	ACLF30	Credenza Lateral File 30"W x 20"D	\$677
1	AHW72	Hutch with Wood Doors 72"W	\$692

**AT24**

**TOTAL: \$2498**

**ABERDEEN TYPICALS**

• Order complete suites using "AT\_" models.



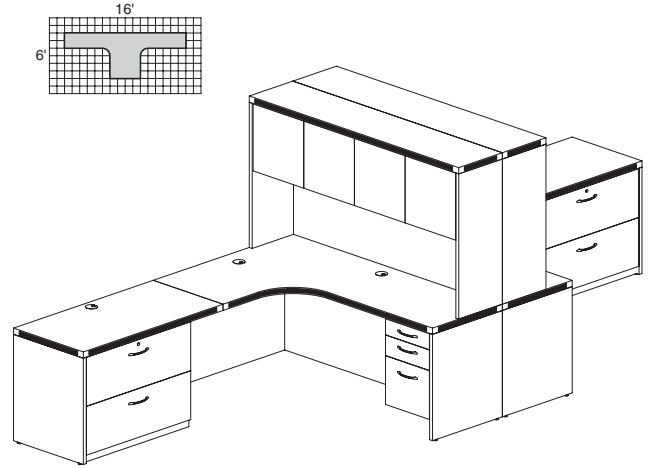
**ABERDEEN TYPICAL #25**

Consists of:

QTY.	MODEL NO.	DESCRIPTION	LIST PRICE EACH
1	AEC72R	Extended Corner, Right 72"W x 48"D	\$928
1	AR4824	Return 48"W x 24"D	\$415
1	APBF20	Suspended Credenza Pencil/Box/File Pedestal	\$410
1	AHW72	Hutch with Wood Doors 72"W	\$692

**AT25**

**TOTAL: \$2445**



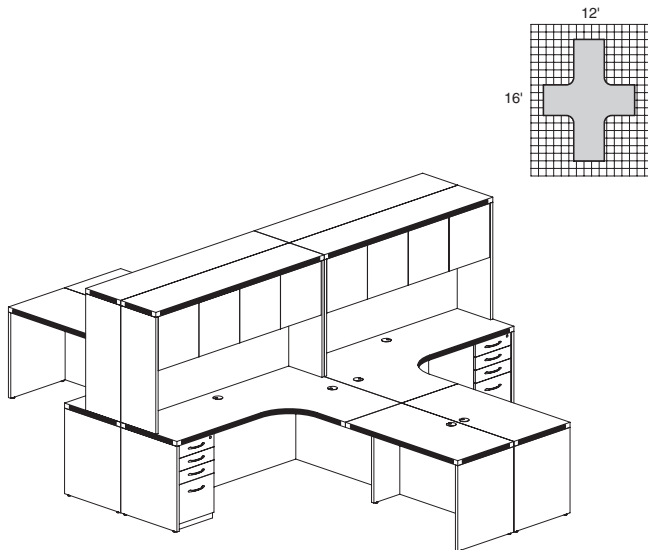
**ABERDEEN TYPICAL #26**

Consists of:

QTY.	MODEL NO.	DESCRIPTION	LIST PRICE EACH
1	AEC72R	Extended Corner, Right 72"W x 48"D	\$928
1	AEC72L	Extended Corner, Left 72"W x 48"D	\$928
2	AR4824	Return 48"W x 24"D	\$415
2	APBF20	Suspended Credenza Pencil/Box/File Pedestal	\$410
2	ACLF36	Credenza Lateral File 36"W x 20"D	\$762
2	AHW72	Hutch with Wood Doors 72"W	\$692

**AT26**

**TOTAL: \$6414**



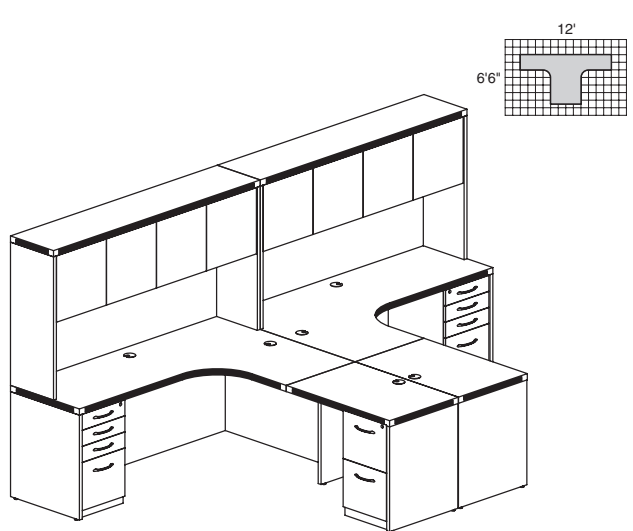
**ABERDEEN TYPICAL #27**

Consists of:

QTY.	MODEL NO.	DESCRIPTION	LIST PRICE EACH
2	AEC72R	Extended Corner, Right 72"W x 48"D	\$928
2	AEC72L	Extended Corner, Left 72"W x 48"D	\$928
4	AR4824	Return 48"W x 24"D	\$415
4	APBBF20	Credenza Pencil/Box/box/File Pedestal	\$554
4	AHW72	Hutch with Wood Doors 72"W	\$692

**AT27**

**TOTAL: \$10356**



**ABERDEEN TYPICAL #28**

Consists of:

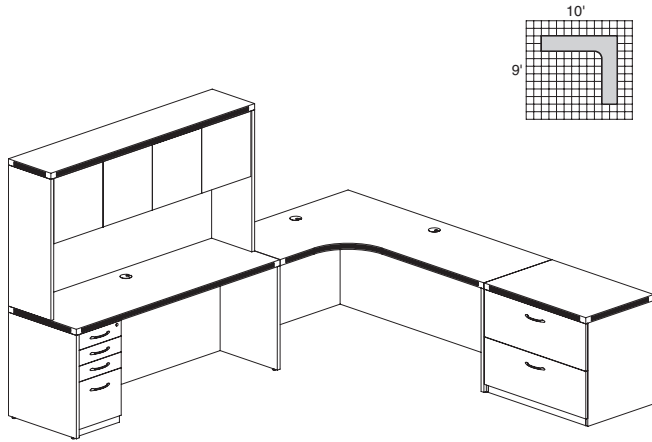
QTY.	MODEL NO.	DESCRIPTION	LIST PRICE EACH
1	AEC72R	Extended Corner, Right 72"W x 48"D	\$928
1	AEC72L	Extended Corner, Left 72"W x 48"D	\$928
2	AR3624	Return 36"W x 24"D	\$345
2	AFF20	Credenza File/File Pedestal	\$526
2	APBBF20	Credenza Pencil/Box/Box/File Pedestal	\$554
2	AHW72	Hutch with Wood Doors 72"W	\$692

**AT28**

**TOTAL: \$6090**

**ABERDEEN TYPICALS**

• Order complete suites using "AT\_" models.



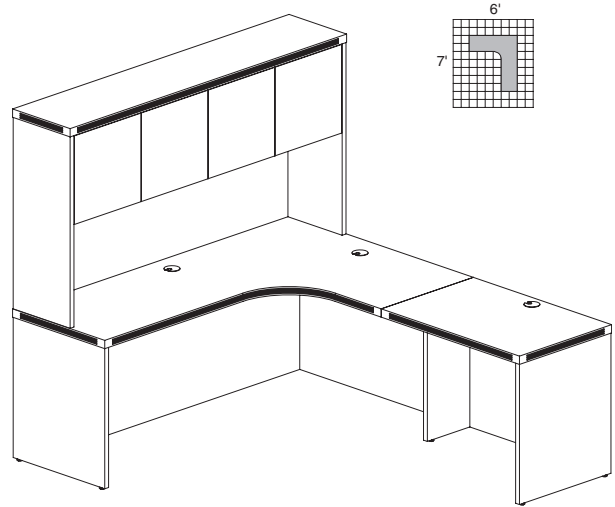
**ABERDEEN TYPICAL #29**

Consists of:

QTY.	MODEL NO.	DESCRIPTION	LIST PRICE EACH
1	AEC72L	Extended Corner, Left 72"W x 48"D	\$928
1	ACD7224	Credenza 72"W x 24"D	\$581
1	AFLF36	Freestanding Lateral File 36"W x 24"D	\$968
1	AHW72	Hutch with Wood Doors 72"W	\$692
1	APBBF20	Credenza Pencil/Box/Box/File Pedestal	\$554

**AT29**

**TOTAL: \$3723**



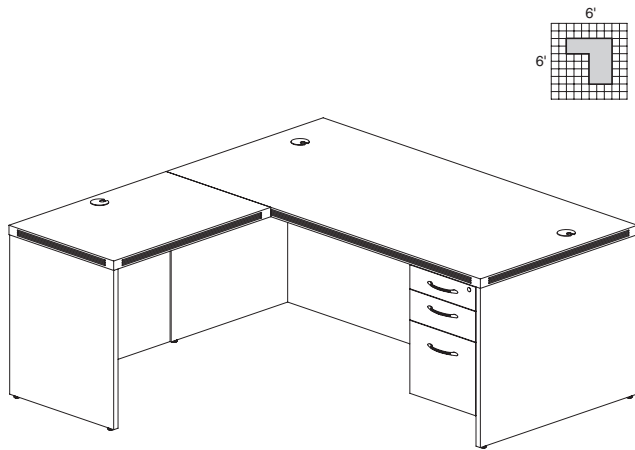
**ABERDEEN TYPICAL #30**

Consists of:

QTY.	MODEL NO.	DESCRIPTION	LIST PRICE EACH
1	AEC72R	Extended Corner, Right 72"W x 48"D	\$928
1	AR3624	Return 36"W x 24"D	\$345
1	AHW72	Hutch with Wood Doors 72"W	\$692

**AT30**

**TOTAL: \$1965**



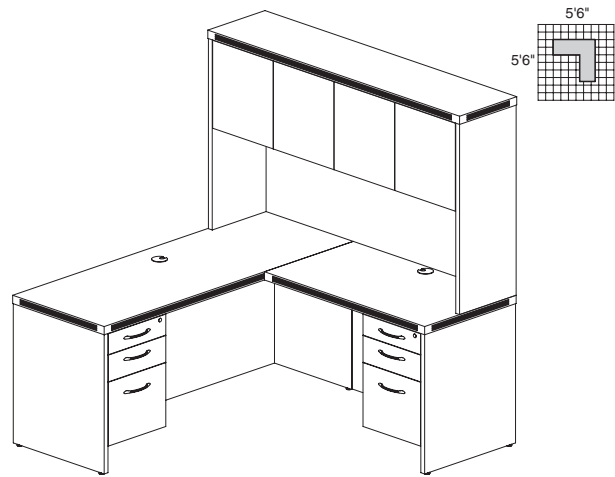
**ABERDEEN TYPICAL #31**

Consists of:

QTY.	MODEL NO.	DESCRIPTION	LIST PRICE EACH
1	ARD7236	Rectangular Conference Desk 72"W x 36"D	\$720
1	AR3624	Return 36"W x 24"D	\$345
1	APBF26	Suspended Desk Pencil/Box/File Pedestal	\$456

**AT31**

**TOTAL: \$1521**



**ABERDEEN TYPICAL #32**

Consists of:

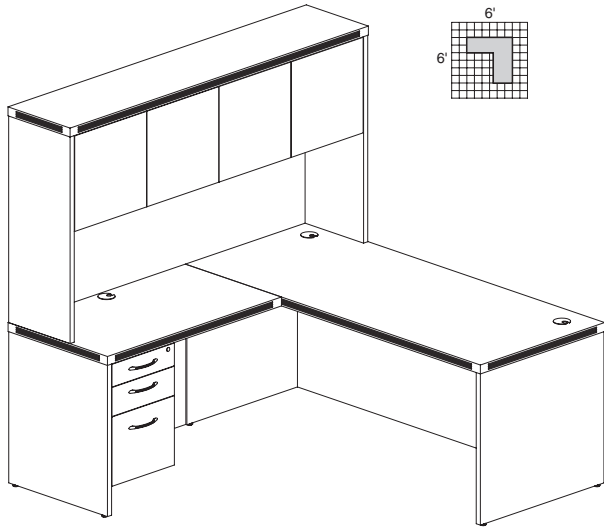
QTY.	MODEL NO.	DESCRIPTION	LIST PRICE EACH
1	ACD6624	Credenza 66"W x 24"D	\$554
1	AR4224	Return 42"W x 24"D	\$374
2	APBF20	Suspended Credenza Pencil/Box/File Pedestal	\$410
1	AHW66	Hutch with Wood Doors 66"W	\$650

**AT32**

**TOTAL: \$2398**

**ABERDEEN TYPICALS**

• Order complete suites using "AT\_\_" models.



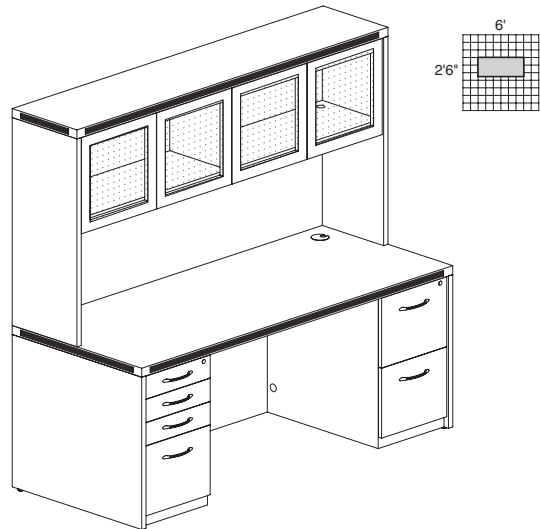
**ABERDEEN TYPICAL #33**

Consists of:

QTY.	MODEL NO.	DESCRIPTION	LIST PRICE EACH
1	ARD7230	Rectangular Desk 72"W x 30"D	\$665
1	AR4224	Return 42"W x 24"D	\$374
1	APBF20	Suspended Credenza Pencil/Box/File Pedestal	\$410
1	AHW72	Hutch with Wood Doors 72"W	\$692

**AT33**

**TOTAL: \$2141**



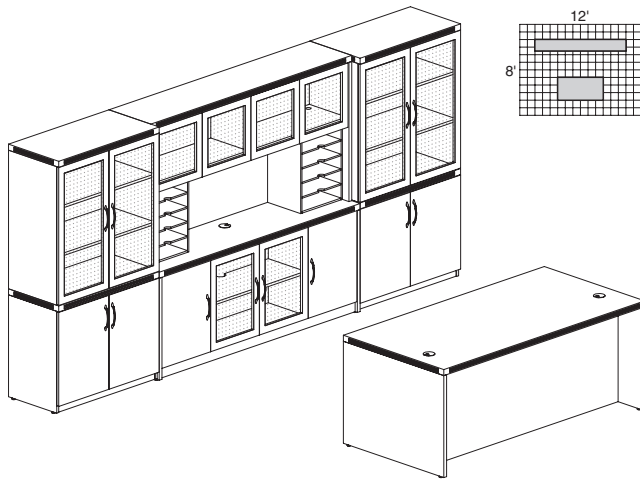
**ABERDEEN TYPICAL #34**

Consists of:

QTY.	MODEL NO.	DESCRIPTION	LIST PRICE EACH
1	ARD7230	Rectangular Desk 72"W x 30"D	\$665
1	APBBF26	Desk Pencil/Box/Box/File Pedestal	\$622
1	AFF26	Desk File/File Pedestal	\$595
1	AHG72	Hutch with Glass Doors 72"W	\$968

**AT34**

**TOTAL: \$2850**



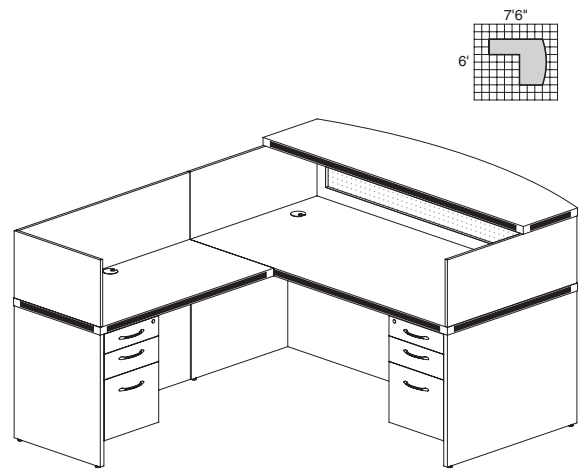
**ABERDEEN TYPICAL #35**

Consists of:

QTY.	MODEL NO.	DESCRIPTION	LIST PRICE EACH
1	ARD7236	Rectangular conference Desk 72"W x 36"D	\$720
1	APBBF26	Desk Pencil/Box/Box/File Pedestal	\$622
1	AFF26	Desk File/File Pedestal	\$595
1	ALC	Low Wall Cabinet	\$1247
2	ASC	Storage Cabinet	\$692
2	AGDC	Glass Display Cabinet	\$900
1	AHG72	Hutch with Glass Doors 72"W	\$968
2	AHPM	Horizontal Paper Management	\$193

**AT35**

**TOTAL: \$7722**



**ABERDEEN TYPICAL #36**

Consists of:

QTY.	MODEL NO.	DESCRIPTION	LIST PRICE EACH
1	ARD7236	Rectangular Conference Desk 72"W x 36"D	\$720
1	AR4824	Return 48"W x 24"D	\$415
1	APBF20	Suspended Credenza Pencil/Box/File Pedestal	\$410
1	APBF26	Suspended Desk Pencil/Box/File Pedestal	\$456
1	ARDTC	Reception Desk Transaction Counter	\$650
1	ARRS	Reception Return Screen	\$219

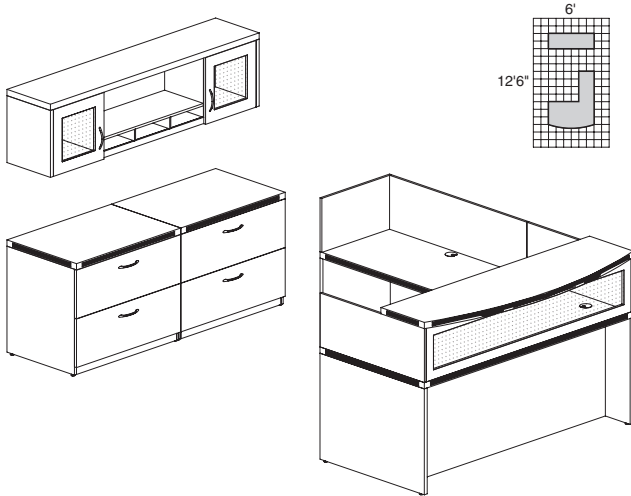
**AT36**

**TOTAL: \$2870**



**ABERDEEN TYPICALS**

• Order complete suites using "AT\_\_" models.



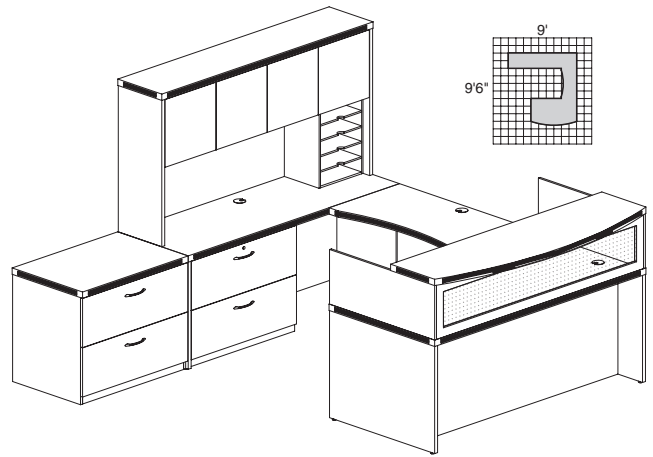
**ABERDEEN TYPICAL #37**

Consists of:

QTY.	MODEL NO.	DESCRIPTION	LIST PRICE EACH
1	ARD7236	Rectangular Conference Desk 72"W x 36"D	\$720
1	AR4824	Return 48"W x 24"D	\$415
1	ARDTC	Reception Desk Transaction Counter	\$650
1	ARRS	Reception Return Screen	\$219
2	AFLF36	Freestanding Lateral File 36"W x 24"D	\$968
1	AWG72	Wall Mount Hutch 72"W	\$1108

**AT37**

**TOTAL: \$5048**



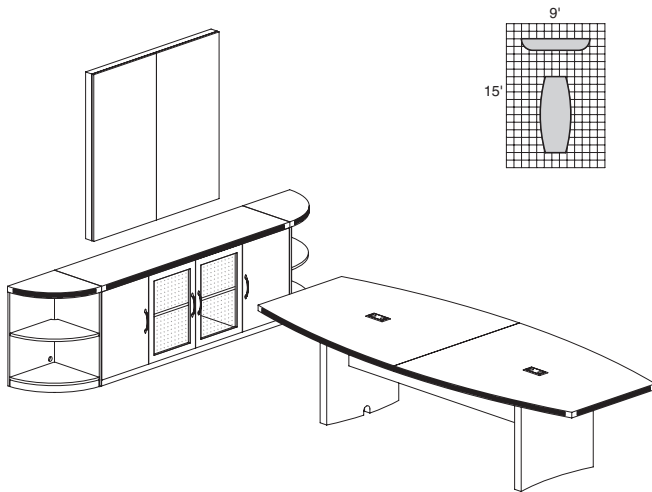
**ABERDEEN TYPICAL #38**

Consists of:

QTY.	MODEL NO.	DESCRIPTION	LIST PRICE EACH
1	ARD7236	Rectangular Conference Desk 72"W x 36"D	\$720
1	ACD7224	Credenza 72"W x 36"D	\$581
1	ACB4824	Contour Bridge 48"W x 24"D	\$358
1	APBF26	Suspended Desk Pencil/Box/File Pedestal	\$456
1	ACLF36	Credenza Lateral File 36"W x 20"D	\$762
1	AFLF36	Freestanding Lateral File 36"W x 24"D	\$968
1	AHW72	Hutch with Wood Doors 72"W	\$692
1	ARDTC	Reception Desk Transaction Counter	\$650
1	AHPM	Horizontal Paper Management	\$193

**AT38**

**TOTAL: \$5380**



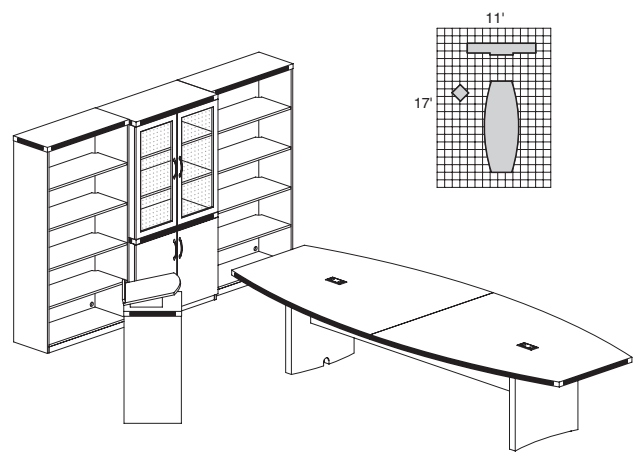
**ABERDEEN TYPICAL #39**

Consists of:

QTY.	MODEL NO.	DESCRIPTION	LIST PRICE EACH
1	ACTB10	Boat Conference Table 120"W x 48"D	\$1604
1	ALC	Low Wall Cabinet	\$1247
2	ABQ2	2-Shelf 1/4 Round	\$275
1	AVPB	Visual Presentation Board	\$858

**AT39**

**TOTAL: \$4259**



**ABERDEEN TYPICAL #40**

Consists of:

QTY.	MODEL NO.	DESCRIPTION	LIST PRICE EACH
1	ACTB12	Boat Conference Table 144"W x 48"D	\$1918
1	ASC	Storage Cabinet	\$692
1	AGDC	Glass Display Cabinet	\$900
2	AB5S36	5-Shelf Bookcase	\$650
1	ALCT	Lectern	\$497

**AT40**

**TOTAL: \$5307**

# TOSCANA SERIES



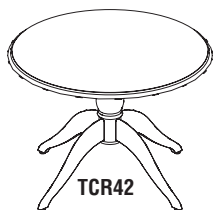
## TOSCANA

The Toscana veneer desk system combines traditional styling with several technology-friendly features. Toscana is available in a choice of two rich finishes with AA-grade North American hardwood veneers used throughout.

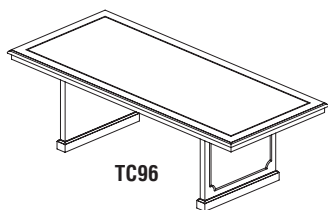
**Surfaces:** Sierra Cherry finish on cherry veneer and Mahogany finish on walnut veneer.

- All models in all finishes are available on both the Kwik-Ship and Fast Freight delivery programs with no quantity limitations.

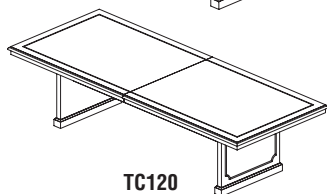
## CONFERENCE ROOM TABLES



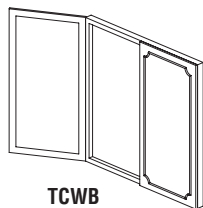
TCR42



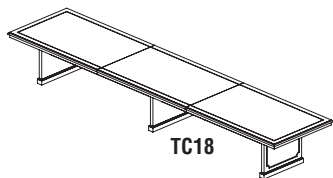
TC96



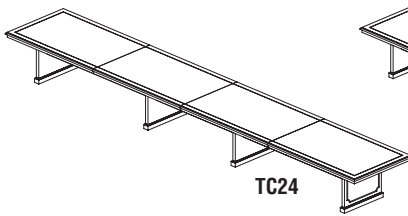
TC120



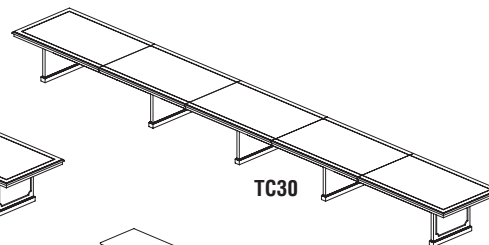
TCWB



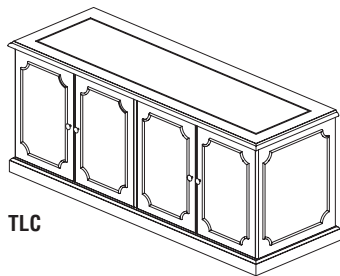
TC18



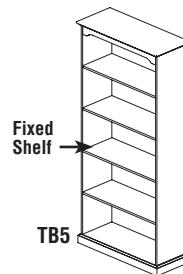
TC24



TC30



TLC



TB5

- All rectangular tables feature a 2"H solid wood apron under table surface and full-width modesty panel between legs.
- Rectangular table legs have 1" thick upright panel and 2" wide base molding.
- Tables larger than 96"L have multi-piece top surfaces connected via steel cam fasteners and steel connecting plates.
- Low Wall Cabinet has one internal shelf in each compartment that adjusts to 5 positions on 1 1/4"H increments. Does not lock.
- Bookcase with Lower Doors has two adjustable open shelves and one adjustable concealed shelf. Bookcase with 5 Shelves has three adjustable shelves. All adjustable shelves adjust on 1 1/4"H increments throughout complete vertical space.

Model No.	Description	Dimensions	Wt.	List Price
TCR42	Round Conference Table	42" Dia. x 29 1/2"	106#	\$1261
TC72	6' Rectangular Conference Table	72" x 36" x 29 1/2"	194#	\$1818
TC96	8' Rectangular Conference Table	96" x 42" x 29 1/2"	319#	\$2266
TC120	10' Rectangular Conference Table	120" x 48" x 29 1/2"	339#	\$3803
TC12	12' Rectangular Conference Table	144" x 54" x 29 1/2"	462#	\$5094
TC14	14' Rectangular Conference Table	168" x 54" x 29 1/2"	506#	\$5686
TC18	18' Rectangular Conference Table	216" x 54" x 29 1/2"	614#	\$6848
TC20	20' Rectangular Conference Table	240" x 54" x 29 1/2"	658#	\$7442
TC24	24' Rectangular Conference Table	288" x 54" x 29 1/2"	818#	\$9151
TC26	26' Rectangular Conference Table	312" x 54" x 29 1/2"	862#	\$9745
TC30	30' Rectangular Conference Table	360" x 54" x 29 1/2"	1023#	\$11454
TCWB	White Board Cabinet	48" x 48" x 3"	132#	\$1198
TLC	Low Wall Cabinet	72" x 24" x 29 1/2"	262#	\$2109
TB5*	Bookcase with Five Shelves	36" x 15" x 77 1/2"	165#	\$1436

\* Limited quantities available.

# CORSICA SERIES



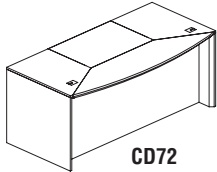
## CORSICA DESK SYSTEM

The Corsica veneer desk system offers a sophisticated, elegant appearance for business or home office. Available in two rich finishes, REAL Office Furniture features AA-grade select North American hardwood veneers throughout.

Surfaces: Sierra Cherry finish on cherry veneer and Mahogany finish on walnut veneer.

- Desk, Return and Credenza work surfaces are 2" thick with beveled Black edge.
- All veneer surfaces are protected with two final coats of high-tech catalyzed lacquer.
- All models in all finishes are available on both the Kwik-Ship and Fast Freight delivery programs with no quantity limitations.
- All locks are keyed-alike and feature removable cores for installing "keyed-different" locks after-market.

### BOW FRONT DESK

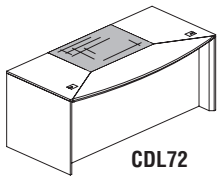


CD72

- Features bowfront surface and end panels with beveled edge.
- Full-height modesty panel.
- Desk surface has two cable grommets.

Model No.	Dimensions	Wt.	List Price
CD72	72"W x 36"D x 29 1/2"H	273#	\$1824

### BOW FRONT DESK (LEATHER)

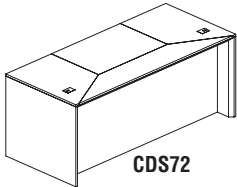


CDL72

- Features bowfront surface and end panels with beveled edge.
- Full-height modesty panel.
- Desk surface has two cable grommets.
- Leather work area.

Model No.	Dimensions	Wt.	List Price
CDL72	72"W x 36"D x 29 1/2"H	273#	\$1956

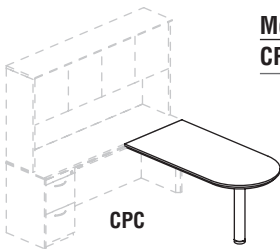
### STRAIGHT FRONT DESK



CDS72

Model No.	Dimensions	Wt.	List Price
CDS72	72"W x 32"D x 29 1/2"H	266#	\$1666

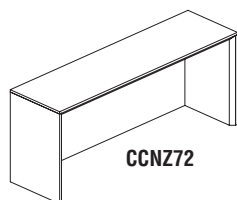
### PENINSULA DESK



CPC

Model No.	Description	Dimensions	Wt.	List Price
CPC	Credenza supported desk	60"W x 30"D x 29 1/2"H	112#	\$1141

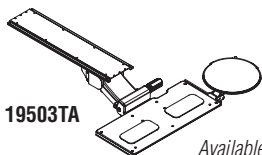
### CREDENZA



CCNZ72

- Full-height modesty panel.
- Beveled edge on end panels match desk detailing.

Model No.	Dimensions	Wt.	List Price
CCNZ72	72"W x 20"D x 29 1/2"H	183#	\$1130
19503TA	Combination keyboard/mouse platform 19"W x 8 1/4"D, 9"Dia. mouse platform	15#	\$545



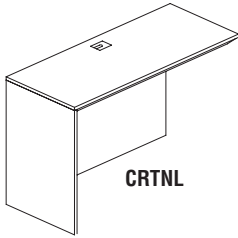
19503TA

Available in Black Only.

## CORSICA SERIES

### RETURN

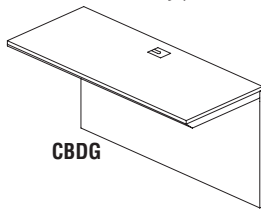
- Choose from Left-Hand or Right-Hand model.
- Features end panel with beveled edge.
- Includes modesty panel with grommet.



Model No.	Dimensions	Wt.	List Price
<b>CRTNR</b>	48"W x 20 1/2"D x 29 1/2"H - Right	101#	\$724
<b>CRTNL</b>	48"W x 20 1/2"D x 29 1/2"H - Left	101#	\$724

### BRIDGE

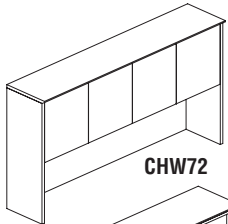
- Universal mounting to right or left side of desk.
- Not free-standing. Requires connection to credenza and desk.
- Includes modesty panel with grommet.



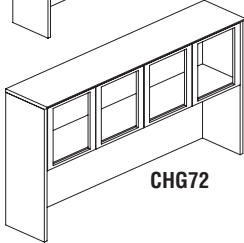
Model No.	Dimensions	Wt.	List Price
<b>CBDG</b>	48"W x 20 1/2"D x 29 1/2"H	88#	\$555

### HUTCH

- Fully assembled except for doors.
- Features four cabinet styled doors with self-closing hinges.
- 20 1/2" clearance between work surface and storage bin.
- Back panel features one lower and two upper cable grommets.
- Available with wood or glass doors.



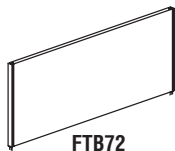
Model No.	Description	Dimensions	Wt.	List Price
<b>CHW72</b>	72" Hutch w/ wood doors	71 3/4"W x 15"D x 38 1/2"H	172#	\$1775



<b>CHG72</b>	72" Hutch w/ glass doors	71 3/4"W x 15"D x 38 1/2"H	160#	\$1938
--------------	--------------------------	----------------------------	------	--------

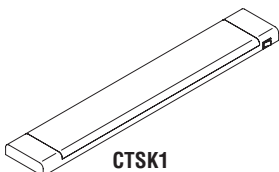
### FABRIC PANELS

- Stocked in MIR1454 Birch Fabric.
- Other fabrics available as a special order; special orders sold in pairs.



Model No.	Dimensions	Wt.	List Price
<b>FTB72</b>	69"W x 18 1/2"H	16#	\$493

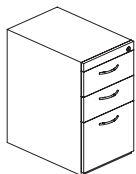
### OPTIONAL HUTCH TASKLIGHT



Model No.	Description	Dimensions	Wt.	List Price
<b>CTSK1</b>	Tasklight	25"W x 4"D x 1"H	5#	\$138

**CORSICA SERIES****PEDESTAL FILES FOR DESK**

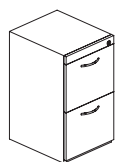
- Drawer interiors finished to match exterior veneer.
- Gang-lock features removable core.
- File drawers accommodate letter or legal size hanging file folders.
- Drawers operate smoothly using full-extension ball-bearing suspensions.
- Choice of two styles featuring two file drawers or two box drawers and one file drawer.

**CBBFD**

Model No.	Dimensions	Wt.	List Price
<b>CBBFD</b> Box-Box-File	15 1/4"W x 24"D x 27 1/2"H Assembled	82#	\$820
<b>CFFD</b> File-File	15 1/4"W x 24"D x 27 1/2"H Assembled	68#	\$792

**PEDESTAL FILES FOR CREDENZA/RETURN**

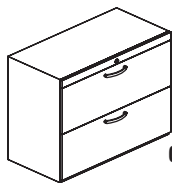
- Drawer interiors finished to match exterior veneer
- Drawers operate smoothly using full-extension ball-bearing suspensions. Gang-lock features removable core.
- Choice of two styles featuring two file drawers or two box drawers and one file drawer.
- File drawers accommodate letter or legal size hanging file folders..

**CBBFC**

Model No.	Dimensions	Wt.	List Price
<b>CBBFC</b> Box-Box-File	15 1/4"W x 18"D x 27 1/2"H Assembled	62#	\$677
<b>CFFC</b> File-File	15 1/4"W x 18"D x 27 1/2"H Assembled	54#	\$665

**LATERAL FILE FOR CREDENZA/RETURN**

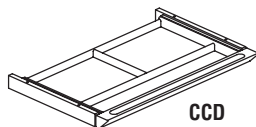
- Unfinished top. Must be installed under credenza.
- Gang-lock features removable core enabling keyed-alike suites.
- Drawers operate smoothly using full-extension ball-bearing suspensions.
- Drawer interiors finished to match exterior veneer.
- Accommodates letter or legal size hanging file folders.

**CLF**

Model No.	Dimensions	Wt.	List Price
<b>CLF</b>	36"W x 18"D x 27 1/2"H Assembled	105#	\$1222

**CENTER DRAWER**

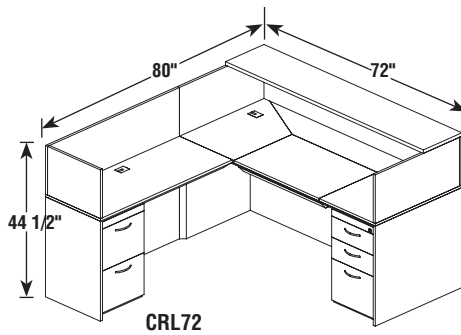
- Can be used on desk or credenza.
- Leather lined interior compartments.
- Drawer operates smoothly using full-extension ball-bearing suspension.
- Solid wood frame construction.
- Beveled front edge to match desk surface design.

**CCD**

Model No.	Dimensions	Wt.	List Price
<b>CCD</b>	30"W x 18"D x 2"H Assembled	10#	\$236

## CORSICA SERIES

### CORSICA RECEPTION DESK TYPICAL



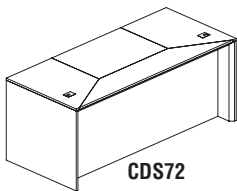
#### CORSICA RECEPTION DESK

Model No.	Description	Dimensions	Wt.	List Price Each
<b>CRS</b>	Reception Station (no ped)	72"W x 32"D x 44 1/2"H	336#	\$2332
<b>CRSBF</b>	Reception Station w/ B/B/F, F/F	72"W x 32"D x 44 1/2"H	531#	\$4180
<b>CRSBB</b>	Reception Station w/ 2-B/B/F	72"W x 32"D x 44 1/2"H	545#	\$4208
<b>CRL72</b>	Reception Station w/ B/B/F, F/F	72"W x 32"D x 44 1/2"H Desk 48"W x 20 1/2"D x 29 1/2"H Return	640#	\$5096
<b>CRR72</b>	Reception Station w/ B/B/F, F/F	72"W x 32"D x 44 1/2"H Desk 48"W x 20 1/2"D x 29 1/2"H Return	640#	\$5096

The Corsica Reception Desk is ideal for any business entrance. Available in two rich finishes, REAL Office Furniture features AA-grade select North American hardwood veneers throughout.

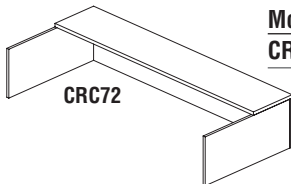
- Workstations and tables feature AA-grade select hardwood veneers throughout.
- Work surfaces are 2" thick with beveled edge in Black.
- Finishes: Choice of Sierra Cherry finish on cherry veneer and Mahogany finish on walnut veneer.
- Storage cabinets lock and are keyed alike.

### CORSICA DESK



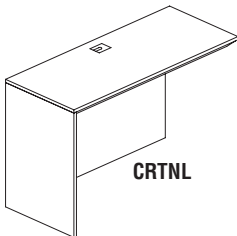
Model No.	Description	Dimensions	Wt.	List Price
<b>CDS72</b>	72" Straight Front	72"W x 32"D x 29 1/2"H	265#	\$1666

### RECEPTION COUNTER



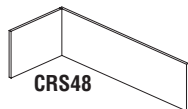
Model No.	Description	Dimensions	Wt.	List Price
<b>CRC72</b>	Reception Counter	72"W x 32"D x 15"H	65#	\$666

### RECEPTION COUNTER RETURN



Model No.	Description	Dimensions	Wt.	List Price
<b>CRTNR</b>	Return - Right	48"W x 20 1/2"D x 29 1/2"H - Right	101#	\$724
<b>CRTNL</b>	Return - Left	48"W x 20 1/2"D x 29 1/2"H - Left	101#	\$724

### RETURN RECEPTION SCREEN



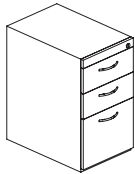
- Universal right- or left-handed.

Model No.	Description	Dimensions	Wt.	List Price
<b>CRS48</b>	Return Reception Screen	48"W x 20 1/4"D x 14"H	15#	\$319



**CORSICA SERIES****PEDESTAL FILES FOR DESK**

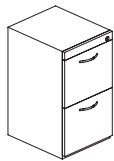
- Drawer interiors finished to match exterior veneer.
- Drawers operate smoothly using full-extension ball-bearing suspensions.
- Gang-lock features removable core.
- Choice of two styles featuring two file drawers or two box drawers and one file drawer.
- File drawers accommodate letter or legal size hanging file folders.



Model No.	Dimensions	Wt.	List Price
<b>CBBFD</b> Box-Box-File	15 1/4"W x 24"D x 27 1/2"H Assembled	82#	\$820
<b>CFFD</b> File-File	15 1/4"W x 24"D x 27 1/2"H Assembled	68#	\$792

**CBBFD****PEDESTAL FILES FOR CREDENZA/RETURN**

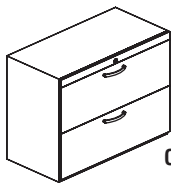
- Drawer interiors finished to match exterior veneer.
- Drawers operate smoothly using full-extension ball-bearing suspensions. Gang-lock features removable core.
- Choice of two styles featuring two file drawers or two box drawers and one file drawer.
- File drawers accommodate letter or legal size hanging file folders.



Model No.	Dimensions	Wt.	List Price
<b>CBBFC</b> Box-Box-File	15 1/4"W x 18"D x 27 1/2"H Assembled	62#	\$677
<b>CFFC</b> File-File	15 1/4"W x 18"D x 27 1/2"H Assembled	54#	\$665

**CFFC****LATERAL FILE FOR CREDENZA/RETURN**

- Unfinished top. Must be installed under credenza.
- Drawer interiors finished to match exterior veneer.
- Drawers operate smoothly using full-extension ball-bearing suspensions.
- Gang-lock features removable core enabling keyed-alike suites.
- Accommodates letter or legal size hanging file folders.



Model No.	Dimensions	Wt.	List Price
<b>CLF</b>	36"W x 18"D x 27 1/2"H Assembled	105#	\$1222

**CLF**

## CORSICA SERIES

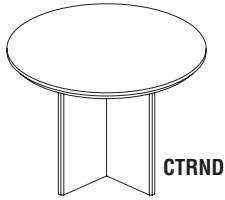
### CORSICA CONFERENCE ROOM FURNITURE

The Corsica veneer conference room furniture features elegant lines with excellent durability. Available in two rich finishes, REAL Office Furniture features AA-grade select North American hardwood veneers throughout. Beveled 2" thick surfaces.

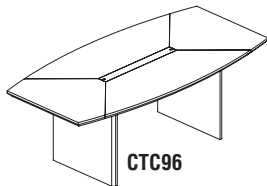
**Surfaces:** Sierra Cherry finish on cherry veneer and Mahogany finish on walnut veneer.

- All veneer surfaces are protected with two coats of high-tech catalyzed lacquer.

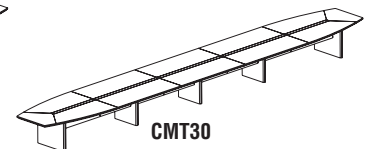
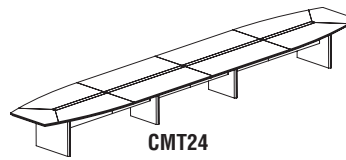
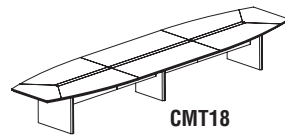
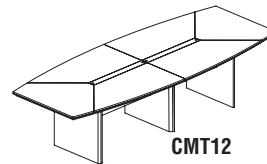
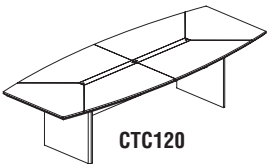
#### CONFERENCE TABLES



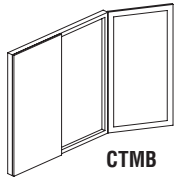
- Built-in cable management panel features a flush, removable steel cover.
- Table top is 2" thick with Black beveled edge.
- Work surfaces are protected with two-coats of high-tech catalyzed lacquer finish.
- Tables larger than 96"L have multi-piece top surfaces connected via steel cam fasteners and steel connecting plates.
- Supports up to 500 lbs., evenly distributed.
- All "CTC" models feature a 'boat-shaped' surface.
- Tops and base ship separately.



Model No.	Description	Dimensions	Wt.	List Price
<b>CTC72</b>	Boat-shaped Conference Table	72"W x 36"D x 29 1/2"H	226#	\$1542
<b>CTC84</b>	Boat-shaped Conference Table	84"W x 42"D x 29 1/2"H	297#	\$1823
<b>CTC96</b>	Boat-shaped Conference Table	96"W x 42"D x 29 1/2"H	340#	\$2266
<b>CTC120</b>	Boat-shaped Conference Table	120"W x 48"D x 29 1/2"H	372#	\$3266
<b>CMT12</b>	Boat-shaped Conference Table	144"W x 54"D x 29 1/2"H	620#	\$5506
<b>CMT14</b>	Boat-shaped Conference Table	168"W x 54"D x 29 1/2"H	713#	\$6132
<b>CMT18</b>	Boat-shaped Conference Table	216"W x 54"D x 29 1/2"H	882#	\$8018
<b>CMT20</b>	Boat-shaped Conference Table	240"W x 54"D x 29 1/2"H	975#	\$8864
<b>CMT24</b>	Boat-shaped Conference Table	288"W x 54"D x 29 1/2"H	1199#	\$10847
<b>CMT26</b>	Boat-shaped Conference Table	312"W x 54"D x 29 1/2"H	1292#	\$11693
<b>CMT30</b>	Boat-shaped Conference Table	360"W x 54"D x 29 1/2"H	1516#	\$13677
<b>CTRND</b>	Round Conference Table	42" Round x 29 1/2"H	80#	\$843



#### PRESENTATION BOARD



- White dry-erase board center panel (45" x 45").
- Sculpted lower tray holds markers, erasers, etc.
- Features magnetic, non-ghosting surface.
- Tackable black interior door inserts.
- Full-height brass hinge.

Model No.	Dimensions	Wt.	List Price
<b>CTMB</b>	48"W x 48"H x 3 1/4"D Assembled	110#	\$1411

#### CORSICA STORAGE SYSTEMS

The Corsica veneer storage systems furniture features elegant lines with excellent durability. Available in three rich finishes, REAL Office Furniture features AA-grade select North American hardwood veneers throughout.

**Surfaces:** Sierra Cherry finish on cherry veneer, Mahogany finish on walnut veneer and Golden Cherry finish on beech veneer.

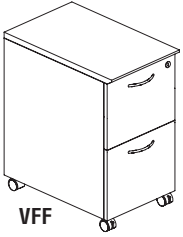
- All veneer surfaces are protected with two final coats of high-tech catalyzed lacquer.
- All lateral files and storage cabinets feature finished backs.
- All locks have removable cores.
- Lateral files and mobile pedestals feature gang lock mechanism.

#### LATERAL FILE



- Drawer interiors finished to match exterior veneer.
- Gang-lock features removable core enabling keyed-alike suites.
- Drawers operate smoothly using full-extension ball-bearing suspensions.
- Includes counter-weight for stability when in use.
- Accommodate letter and legal sized hanging file folders.

Model No.	Description	Dimensions	Wt.	List Price
<b>VLF</b>	File-File	36"W x 19"D x 29 1/2"H Assembled	160#	\$1483
<b>VLF4</b>	4 Drawer File	36"W x 19"D x 56"H	360#	\$2927

**CORSICA SERIES****MOBILE PEDESTALS**

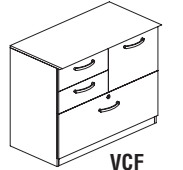
VFF

- Drawer interiors finished to match exterior veneer.
- Drawers operate smoothly using full-extension ball-bearing suspensions.
- Gang-lock features removable core enabling keyed-alike suites.
- 2" dual-hooded casters. (2 lock, 2 non-lock)
- Choice of two styles featuring two file drawers or two box drawers and one file drawer.
- File drawers accommodate letter and legal sized hanging file folders.
- Includes counter-weight for stability when in use.



VBBF

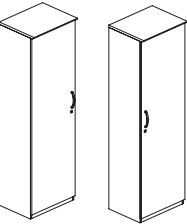
Model No.	Description	Dimensions	Wt.	List Price
VBBF	Box-Box-File	15 1/4"W x 24"D x 27 1/2"H Assembled	92#	\$845
VFF	File-File	15 1/4"W x 24"D x 27 1/2"H Assembled	80#	\$820

**COMBO FILE**

VCF

- Drawer interiors finished to match exterior veneer.
- Drawers operate smoothly using full-extension ball-bearing suspensions.
- File drawers accommodate letter and legal sized hanging file folders.

Model No.	Description	Dimensions	Wt.	List Price
VCF	Veneer Top	36"W x 19"D x 29 1/2"H Assembled	165#	\$1809

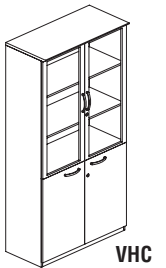
**WARDROBE CABINETS**

VWRDL

VWRDR

- Choice of units with hinges on left or right.
- Interior features sliding wardrobe hanging bar with 59"H clearance.
- Includes one fixed shelf and three adjustable shelves. (1 1/4" increments)

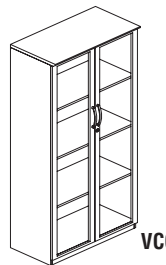
Model No.	Description	Dimensions	Wt.	List Price
VWRDL	Hinges on left	23 5/8"W x 19"D x 80"H	180#	\$1629
VWRDR	Hinges on right	23 5/8"W x 19"D x 80"H	180#	\$1629

**HIGH WALL CABINET WITH DOORS**

VHC

- Features glass doors with silver frame above wood doors.
- Includes two adjustable shelves in top section and one adjustable shelf in lower section.
- Top and bottom doors lock separately. Keyed alike.
- Able to stand alone or be flanked by Wardrobe Cabinets.

Model No.	Dimensions	Wt.	List Price
VHC	40"W x 19"D x 80"H	284#	\$2592

**68" WALL CABINET**

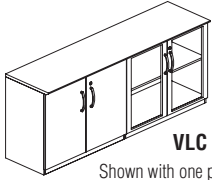
VCG

- Storage unit with choice of wood doors or glass doors.
- Includes one fixed shelf and two adjustable shelves.

Model No.	Description	Dimensions	Wt.	List Price
VCW	With wood doors	36"W x 19"D x 68"H	235#	\$1811
VCG	With glass doors	36"W x 19"D x 68"H	253#	\$1811

## CORSICA SERIES

### LOW WALL CABINET WITH DOORS

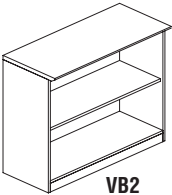


VLC  
Shown with one pair of glass and one pair of wood doors.

- Features a choice of wood/glass, all-wood, or all-glass door sets.
- Includes one adjustable shelf on each side.
- Sets of doors lock separately. Keyed alike.
- Supports 75 lbs. per shelf, evenly distributed.

Model No.	Description	Dimensions	Wt.	List Price
VLC	Wood/Glass Door Combination	72"W x 19"D x 29 1/2"H	193#	\$1749
VLCW	All Wood Doors	72"W x 19"D x 29 1/2"H	193#	\$1749

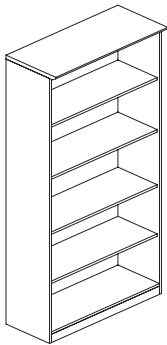
### BOOKCASES



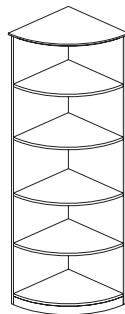
VB2

- Open shelves for convenient storage.
- VB2 & VB5 support 75 lbs. per shelf, evenly distributed; VBQ2 & VBQ5 support 25 lbs. per shelf, evenly distributed.
- Choice of two or five shelf units.
- Adjustable shelves.

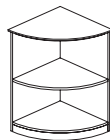
Model No.	Description	Dimensions	Wt.	List Price
VB2	2 Shelf	36"W x 16"D x 29 1/2"H	64#	\$720
VB5	5 Shelf	36"W x 16"D x 68"H	140#	\$1395
VBQ2	2 Shelf 1/4 - Round	19"W x 19"D x 29 1/2"H	25#	\$677
VBQ5	5 Shelf 1/4 - Round	19"W x 19"D x 68"H	65#	\$1316



VB5

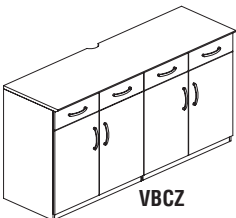


VBQ5



VBQ2

### BUFFET

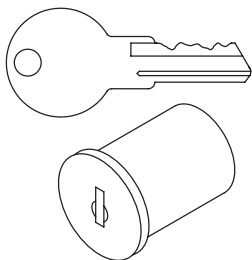


VBCZ

Model No.	Dimensions	Wt.	List Price
VBCZ	72"W x 22"D x 36"H	297#	\$2802

### REPLACEMENT LOCK CORES

- Allows pedestals and laterals to be keyed uniquely.
- Must purchase a core removal tool to change locks cores.
- Master key available.

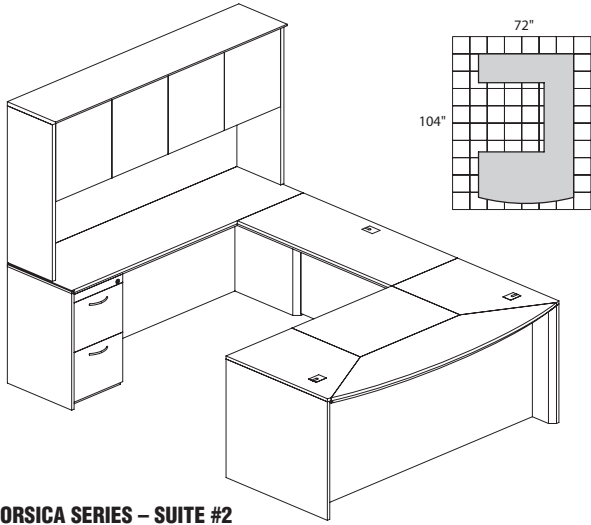


REALCC0100

Model No.	Description	Wt.	List Price
REALCC0100	Replacement core with keys	1#	\$20
REALCC0101	Replacement core with keys	1#	\$20
REALCC0102	Replacement core with keys	1#	\$20
REALCC0103	Replacement core with keys	1#	\$20
REALCC0104	Replacement core with keys	1#	\$20
REALCC0105	Replacement core with keys	1#	\$20
REALCC0106	Replacement core with keys	1#	\$20
REALCC0107	Replacement core with keys	1#	\$20
REALCC0108	Replacement core with keys	1#	\$20
REALCC0109	Replacement core with keys	1#	\$20
REALCC0110	Replacement core with keys	1#	\$20
REALCC0111	Replacement core with keys	1#	\$20
REALCC0112	Replacement core with keys	1#	\$20
REALCC0113	Replacement core with keys	1#	\$20
REALCC0114	Replacement core with keys	1#	\$20
REALCCRC	Core removal tool	1#	\$20
REALCCMK	Master Key	1#	\$20

# CORSICA SERIES TYPICALS

• Order complete suites using "CT\_" models.



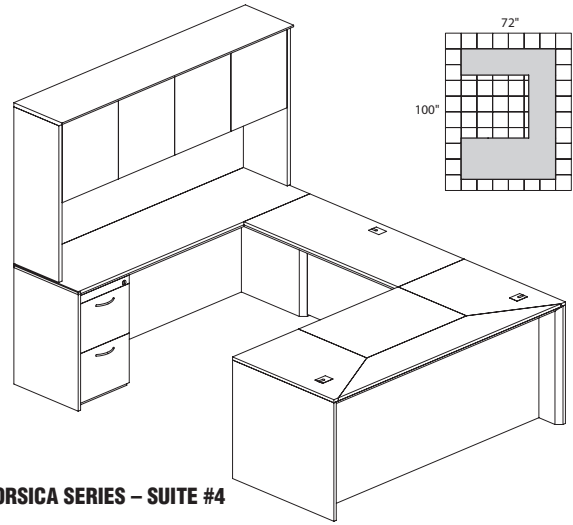
**CORSICA SERIES – SUITE #2**

Consists of:

QTY.	MODEL NO.	DESCRIPTION	LIST PRICE EACH
1	CD72	72" Bow Front Desk	\$1824
1	CBDG	Universal Bridge	\$555
1	CCNZ72	72" Credenza	\$1130
1	CHW72	72" Wood Doors Hutch	\$1775
1	CBBFD	Box Box File Ped	\$820
1	CFFC	File File Ped	\$665
1	CCD	Center Drawer	\$236

**CT2**

**TOTAL: \$7005**



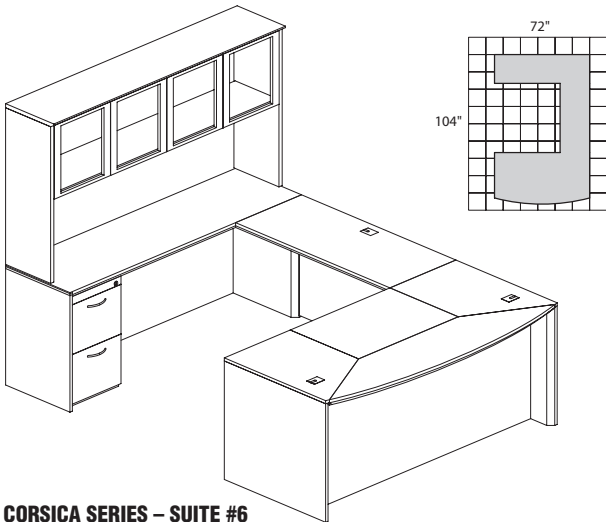
**CORSICA SERIES – SUITE #4**

Consists of:

QTY.	MODEL NO.	DESCRIPTION	LIST PRICE EACH
1	CDS72	72" Straight Front Desk	\$1666
1	CBDG	Universal Bridge	\$555
1	CCNZ72	72" Credenza	\$1130
1	CHW72	72" Wood Doors Hutch	\$1775
1	CBBFD	Box Box File Ped	\$820
1	CFFC	File File Ped	\$665
1	CCD	Center Drawer	\$236

**CT4**

**TOTAL: \$6847**



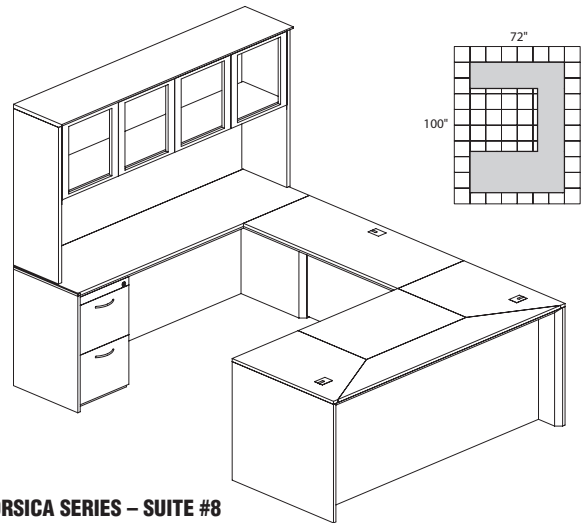
**CORSICA SERIES – SUITE #6**

Consists of:

QTY.	MODEL NO.	DESCRIPTION	LIST PRICE EACH
1	CD72	72" Bow Front Desk	\$1824
1	CBDG	Universal Bridge	\$555
1	CCNZ72	72" Credenza	\$1130
1	CHG72	72" Glass Doors Hutch	\$1938
1	CBBFD	Box Box File Ped	\$820
1	CFFC	File File Ped	\$665
1	CCD	Center Drawer	\$236

**CT6**

**TOTAL: \$7168**



**CORSICA SERIES – SUITE #8**

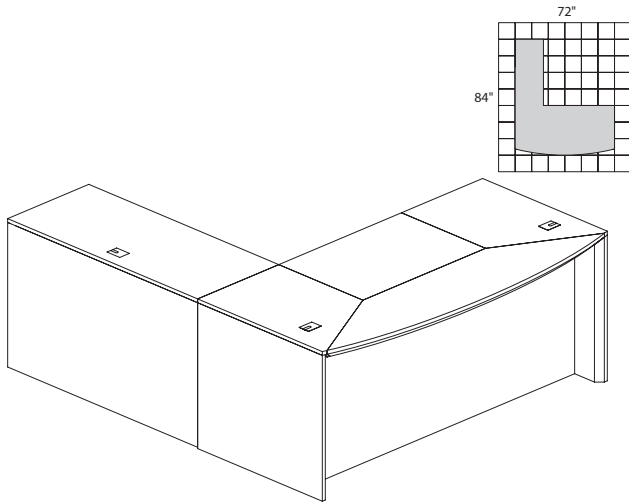
Consists of:

QTY.	MODEL NO.	DESCRIPTION	LIST PRICE EACH
1	CDS72	72" Straight Front Desk	\$1666
1	CBDG	Universal Bridge	\$555
1	CCNZ72	72" Credenza	\$1130
1	CHG72	72" Glass Doors Hutch	\$1938
1	CBBFD	Box Box File Ped	\$820
1	CFFC	File File Ped	\$665
1	CCD	Center Drawer	\$236

**CT8**

**TOTAL: \$7010**

**CORSICA SERIES TYPICALS**



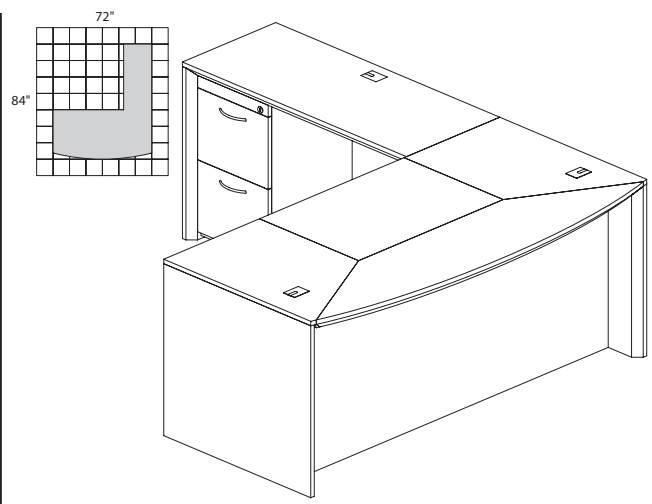
**CORSICA SERIES – SUITE #9**

**Consists of:**

QTY.	MODEL NO.	DESCRIPTION	LIST PRICE EACH
1	CD72	72" Bow Front Desk	\$1824
1	CRTNR	Right Hand Return	\$724
1	CCD	Center Drawer	\$236
1	CBBFD	Box Box File Ped	\$820
1	CFFC	File File Ped	\$665

**CT9**

**TOTAL: \$4269**



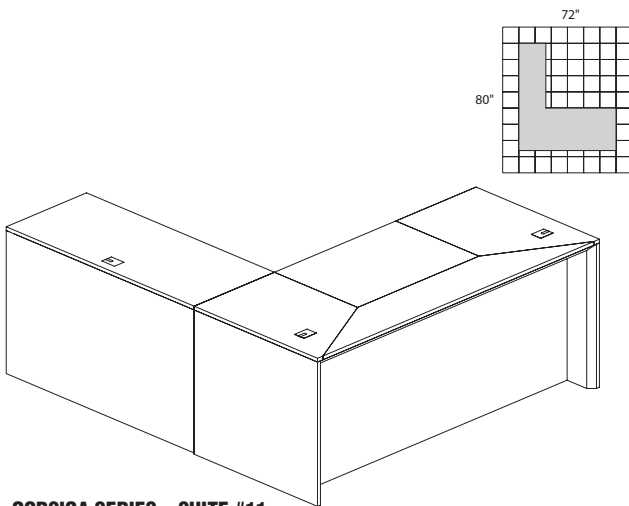
**CORSICA SERIES – SUITE #10**

**Consists of:**

QTY.	MODEL NO.	DESCRIPTION	LIST PRICE EACH
1	CD72	72" Bow Front Desk	\$1824
1	CRTNL	Left Hand Return	\$724
1	CCD	Center Drawer	\$236
1	CBBFD	Box Box File Ped	\$820
1	CFFC	File File Ped	\$665

**CT10**

**TOTAL: \$4269**



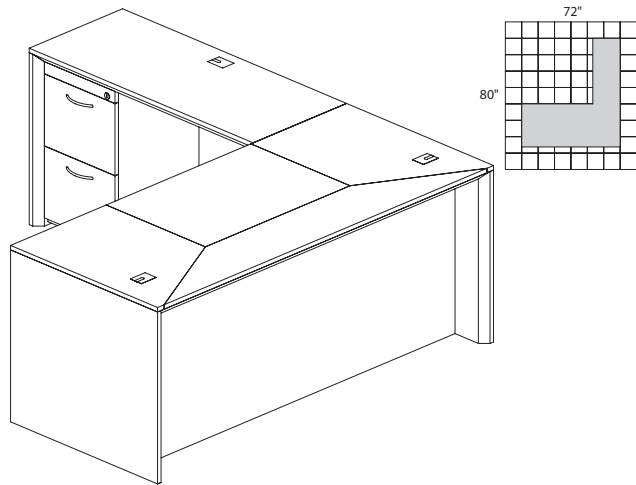
**CORSICA SERIES – SUITE #11**

**Consists of:**

QTY.	MODEL NO.	DESCRIPTION	LIST PRICE EACH
1	CDS72	72" Straight Front Desk	\$1666
1	CRTNR	Right Hand Return	\$724
1	CCD	Center Drawer	\$236
1	CBBFD	Box Box File Ped	\$820
1	CFFC	File File Ped	\$665

**CT11**

**TOTAL: \$4111**



**CORSICA SERIES – SUITE #12**

**Consists of:**

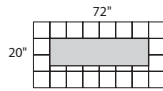
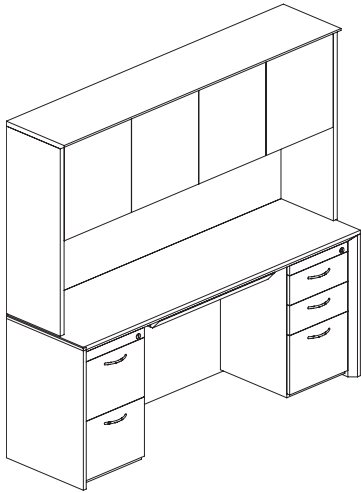
QTY.	MODEL NO.	DESCRIPTION	LIST PRICE EACH
1	CDS72	72" Straight Front Desk	\$1666
1	CRTNL	Left Hand Return	\$724
1	CCD	Center Drawer	\$236
1	CBBFD	Box Box File Ped	\$820
1	CFFC	File File Ped	\$665

**CT12**

**TOTAL: \$4111**



**CORSICA SERIES TYPICALS**



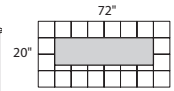
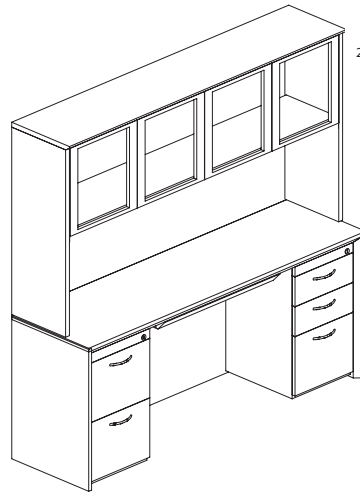
**CORSICA SERIES – SUITE #15**

Consists of:

QTY.	MODEL NO.	DESCRIPTION	LIST PRICE EACH
1	CCNZ72	72" Credenza	\$1130
1	CHW72	72" Wood Doors Hutch	\$1775
1	CBBFC	Box Box File Ped	\$677
1	CFFC	File File Ped	\$665
1	CCD	Center Drawer	\$236

**CT15**

**TOTAL: \$4483**



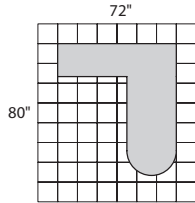
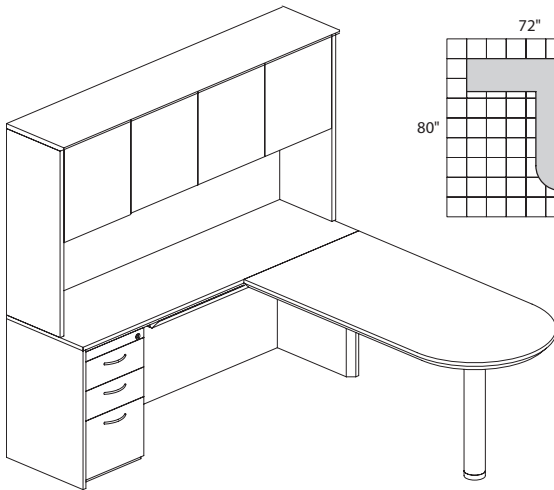
**CORSICA SERIES – SUITE #16**

Consists of:

QTY.	MODEL NO.	DESCRIPTION	LIST PRICE EACH
1	CCNZ72	72" Credenza	\$1130
1	CHG72	72" Glass Doors Hutch	\$1938
1	CBBFC	Box Box File Ped	\$677
1	CFFC	File File Ped	\$665
1	CCD	Center Drawer	\$236

**CT16**

**TOTAL: \$4646**



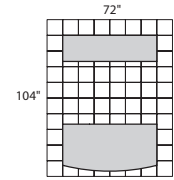
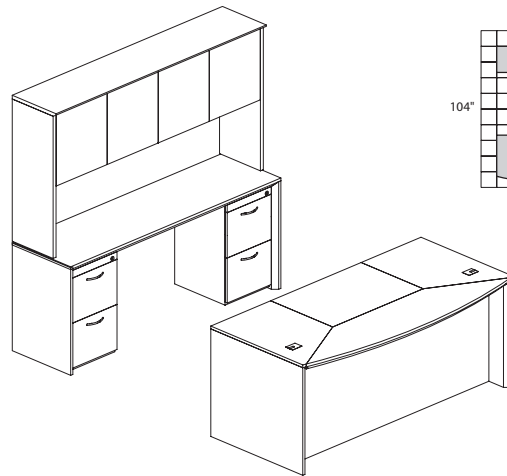
**CORSICA SERIES – SUITE #19**

Consists of:

QTY.	MODEL NO.	DESCRIPTION	LIST PRICE EACH
1	CPC	Peninsula Desk	\$1141
1	CCNZ72	72" Credenza	\$1130
1	CHW72	72" Wood Door Hutch	\$1775
1	CBBFC	Box Box File Ped	\$677
1	CCD	Center Drawer	\$236

**CT19**

**TOTAL: \$4959**



**CORSICA SERIES – SUITE #22**

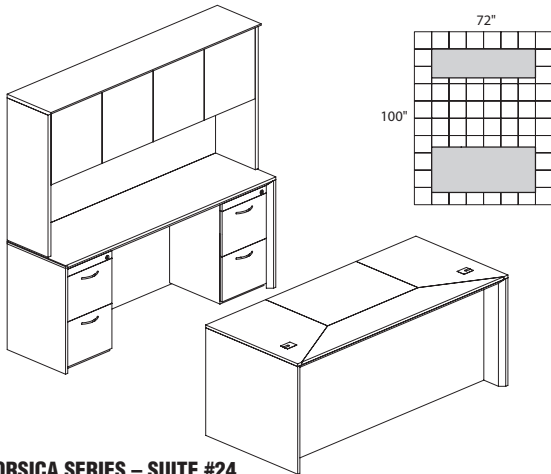
Consists of:

QTY.	MODEL NO.	DESCRIPTION	LIST PRICE EACH
1	CD72	72" Bow Front Desk	\$1824
1	CCNZ72	72" Credenza	\$1130
1	CHW72	72" Wood Doors Hutch	\$1775
1	CBBFD	Box Box File Ped	\$820
1	CBBFD	Box Box File Ped	\$820
1	CFFC	File File Ped	\$665
1	CFFC	File File Ped	\$665
1	CCD	Center Drawer	\$236

**CT22**

**TOTAL: \$7935**

**CORSICA SERIES TYPICALS**



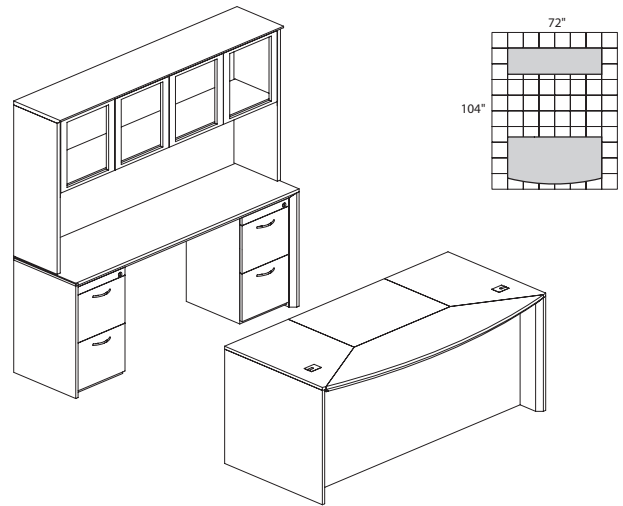
**CORSICA SERIES – SUITE #24**

Consists of:

QTY.	MODEL NO.	DESCRIPTION	LIST PRICE EACH
1	<b>CDS72</b>	72" Straight Front Desk	\$1666
1	<b>CCNZ72</b>	72" Credenza	\$1130
1	<b>CHW72</b>	72" Wood Doors Hutch	\$1775
1	<b>CBBFD</b>	Box Box File Ped	\$820
1	<b>CBBFD</b>	Box Box File Ped	\$820
1	<b>CFFC</b>	File File Ped	\$665
1	<b>CFFC</b>	File File Ped	\$665
1	<b>CCD</b>	Center Drawer	\$236

**CT24**

**TOTAL: \$7777**



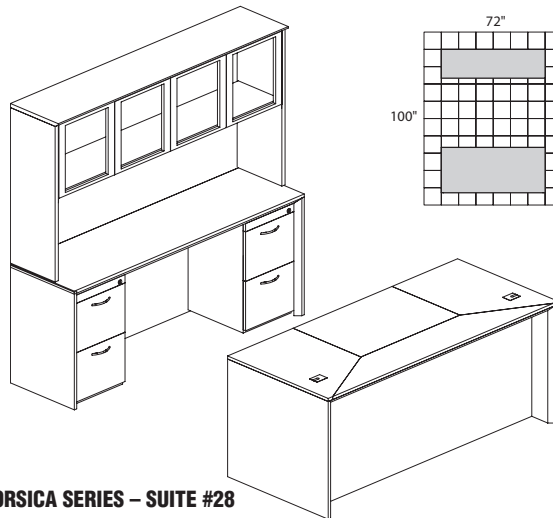
**CORSICA SERIES – SUITE #26**

Consists of:

QTY.	MODEL NO.	DESCRIPTION	LIST PRICE EACH
1	<b>CD72</b>	72" Bow Front Desk	\$1824
1	<b>CCNZ72</b>	72" Credenza	\$1130
1	<b>CHG72</b>	72" Glass Doors Hutch	\$1938
1	<b>CBBFD</b>	Box Box File Ped	\$820
1	<b>CBBFD</b>	Box Box File Ped	\$820
1	<b>CFFC</b>	File File Ped	\$665
1	<b>CFFC</b>	File File Ped	\$665
1	<b>CCD</b>	Center Drawer	\$236

**CT26**

**TOTAL: \$8098**



**CORSICA SERIES – SUITE #28**

Consists of:

QTY.	MODEL NO.	DESCRIPTION	LIST PRICE EACH
1	<b>CDS72</b>	72" Straight Front Desk	\$1666
1	<b>CCNZ72</b>	72" Credenza	\$1130
1	<b>CHG72</b>	72" Glass Doors Hutch	\$1938
1	<b>CBBFD</b>	Box Box File Ped	\$820
1	<b>CBBFD</b>	Box Box File Ped	\$820
1	<b>CFFC</b>	File File Ped	\$665
1	<b>CFFC</b>	File File Ped	\$665
1	<b>CCD</b>	Center Drawer	\$236

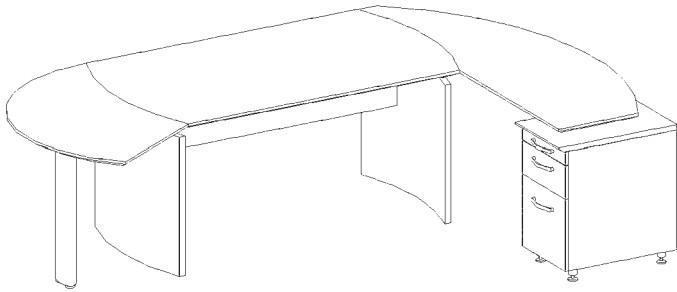
**CT28**

**TOTAL: \$7940**

# NAPOLI SERIES



## NAPOLI DESK SYSTEM TYPICAL



### NAPOLI DESK SYSTEM – NT4

#### Consists of:

QTY.	MODEL NO.	DESCRIPTION	LIST PRICE EACH
1	ND72	Desk 72"W x 36"D	\$1362
1	NEXTL	Curved Desk Extension	\$578
1	NRTPR	Curved Desk Return with Return Pencil-Box-File Pedestal	\$1273
1	NCD	Center Drawer	\$236

#### NT4

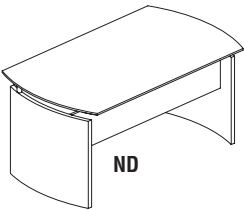
**TOTAL: \$3449**

The Napoli veneer desk system features Italian-influenced, sophisticated styling for business or home office. Available in three rich finishes, REAL Office Furniture features AA-grade select North American hardwood veneers throughout.

**Surfaces:** Sierra Cherry finish on cherry veneer, Mahogany finish on walnut veneer and Golden Cherry finish on beech veneer.

- Desk, Return and Extension work surfaces are 1 1/8" thick with a distinctive beveled edge.
- All veneer surfaces are protected with two coats of high-tech catalyzed lacquer.
- All models in all finishes are available on both the Kwik-Ship and Fast Freight delivery programs with no quantity limitations.
- All locks are keyed-alike and feature removable cores for installing "keyed-different" locks after-market.
- Silver detailing adds contemporary look to the Napoli series.

## DESK

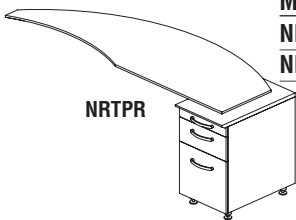


- Napoli desk surface seems to "float" on silver supports.
- Silver modesty panel.
- Curved end panels reflect curved ends of work surface.

Model No.	Dimensions	Wt.	List Price
ND63	63"W x 36"D x 29 1/2"H	155#	\$1260
ND72	72"W x 36"D x 29 1/2"H	183#	\$1362

## CURVED DESK RETURN WITH PENCIL-BOX-FILE PEDESTAL

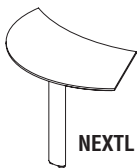
- Creates L-shaped work surface when attached to desk.
- Available for right or left side of desk.
- Gang-lock features removable core.
- Supported by Return Pencil-Box-File Pedestal.
- Pedestal drawer interiors finished to match exterior veneer.
- Stands off floor on silver legs.



Model No.	Description	Dimensions	Wt.	List Price
NRTPR	63" Right return	63"W x 24"D x 29 1/2"H	123#	\$1273
NRTPL	63" Left return	63"W x 24"D x 29 1/2"H	123#	\$1273

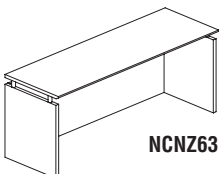
## CURVED DESK EXTENSION

- Creates conference end to Napoli desk.
- Leg includes grommets for cable management.
- Supported by silver leg.
- Available for right or left side of desk.



Model No.	Description	Dimensions	Wt.	List Price
NEXTR	Right extension	47"W x 28"D x 29 1/2"H	51#	\$578
NEXTL	Left extension	47"W x 28"D x 29 1/2"H	51#	\$578

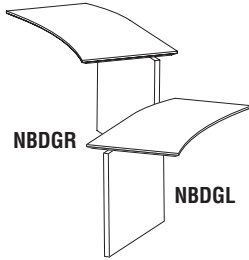
## CREDENZA



Model No.	Dimensions	Wt.	List Price
NCNZ63	63"W x 24"D x 29 1/2"H	133#	\$1091
NCNZ72	72"W x 24"D x 29 1/2"H	151#	\$1176

## NAPOLI SERIES

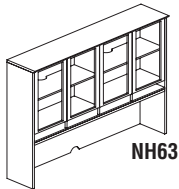
### BRIDGE



- Not free standing. Requires connection to credenza and desk.
- Features modesty panel.

Model No.	Description	Dimensions	Wt.	List Price
NBDGR	Right Hand Bridge	48"W x 24"D x 29 1/2"H	68#	\$687
NBDGL	Left Hand Bridge	48"W x 24"D x 29 1/2"H	68#	\$687

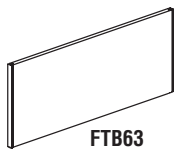
### HUTCH



- Clear glass doors with silver frames.
- Four open compartment slots accept optional trays (See Hutch Trays).
- Provides 19 3/4"H clearance below shelf.
- Two, 12"H storage levels.
- Fully assembled.

Model No.	Dimensions	Wt.	List Price
NH63	63"W x 15"D x 50 1/2"H	183#	\$2345
NH72	72"W x 15"D x 50 1/2"H	209#	\$2485

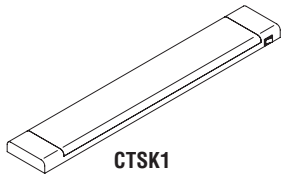
### FABRIC PANELS



- Stocked in MIR1454 Birch Fabric.
- Other fabrics available as a special order; special orders sold in pairs.

Model No.	Dimensions	Wt.	List Price
FTB63	60"W x 18 1/2"H	15#	\$493
FTB72	69"W x 18 1/2"H	16#	\$493

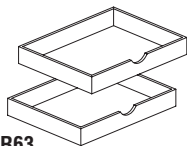
### HUTCH TASK LIGHT



- Task lighting attached to underside of hutch.
- Includes diffuser lens.
- Uses two energy efficient 13W T5 bulb.

Model No.	Description	Dimensions	Wt.	List Price
CTSK1	Task Light	25"W x 4"D x 1"H	5#	\$138

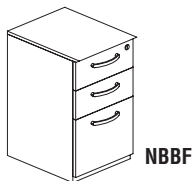
### HUTCH TRAYS



- Sold in pairs.
- Leather inlay.
- Silver.

Model No.	Description	Dimensions	Wt.	List Price
NHTR63	Hutch Trays - 63 (2)	14 5/8"W x 12 3/4"D x 2 3/8"H	7#	\$211
NHTR72	Hutch Trays - 72 (2)	15 1/8"W x 12 3/4"D x 2 3/8"H	8#	\$211

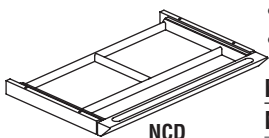
### PEDESTALS



- Drawer interiors finished to match exterior veneer.
- Drawers operate smoothly using full-extension ball-bearing suspensions.
- Fits under credenzas.
- Gang-lock features removable core.
- Finished top surface.

Model No.	Dimensions	Wt.	List Price
NBBF Box-Box File	15 1/4"W x 21 1/4"D x 26"H	80#	\$868
NFF File-File	15 1/4"W x 21 1/4"D x 26"H	78#	\$827

### CENTER DESK DRAWER



- Solid wood frame construction. Leather lined interior compartments.
- Drawer operates smoothly using full-extension ball-bearing suspension.
- Beveled front edge to match desk surface design.

Model No.	Dimensions	Wt.	List Price
NCD	30"W x 18"D x 2"H Assembled	10#	\$236

## NAPOLI SERIES

### NAPOLI STORAGE SYSTEMS

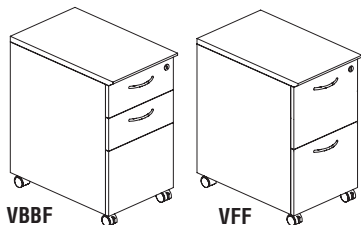
The Napoliil veneer storage systems furniture features Italian-influenced, sophisticated styling with excellent durability. Available in three rich finishes, REAL Office Furniture features AA-grade select North American hardwood veneers throughout.

**Surfaces:** Sierra Cherry finish on cherry veneer, Mahogany finish on walnut veneer and Golden Cherry finish on beech veneer.

- All veneer surfaces are protected with two coats of high-tech catalyzed lacquer.
- All lateral files and storage cabinets feature finished backs.
- All locks have removable cores enabling keyed-alike suites.
- Lateral files and mobile pedestals feature gang lock mechanism.
- All drawer interiors finished to match exterior veneer.

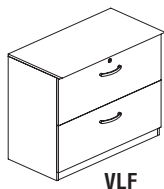
### MOBILE PEDESTALS

- Choice of two styles featuring two file drawers or two box drawers and one file drawer.
- Drawers operate smoothly using full-extension ball-bearing suspensions.
- File drawers accommodate letter and legal sized hanging file folders.
- Gang-lock features removable core enabling keyed-alike suites.
- Includes counter-weight for stability when in use.
- 2" dual-hooded casters. (2 lock, 2 non-lock)



Model No.	Description	Dimensions	Wt.	List Price
VBBF	Box-Box-File	15 1/4"W x 24"D x 27 1/2"H Assembled	92#	\$845
VFF	File-File	15 1/4"W x 24"D x 27 1/2"H Assembled	80#	\$820

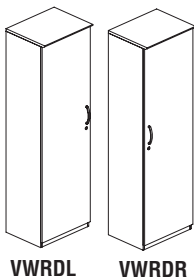
### LATERAL FILE



- Accommodate letter and legal sized hanging file folders.
- Gang-lock features removable core enabling keyed-alike suites.
- Includes counter-weight for stability when in use.
- Drawers operate smoothly using full-extension ball-bearing suspensions.

Model No.	Description	Dimensions	Wt.	List Price
VLF	File-File	36"W x 19"D x 29 1/2"H Assembled	160#	\$1483
VLF4	4-Drawer File	36"W x 19"D x 56"H Assembled	320#	\$2927

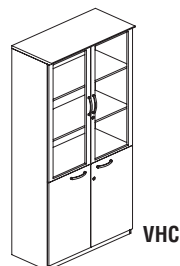
### WARDROBE CABINETS



- Choice of units with hinges on left or right.
- Interior features sliding wardrobe hanging bar.
- Includes one fixed shelf and three adjustable shelves. (1 1/4" increments)

Model No.	Description	Dimensions	Wt.	List Price
VWRDL	Hinges on left	23 5/8"W x 19"D x 80"H	187#	\$1629
VWRDR	Hinges on right	23 5/8"W x 19"D x 80"H	187#	\$1629

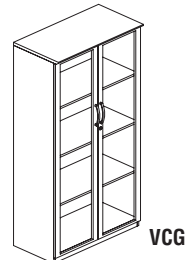
### HIGH WALL CABINET WITH DOORS



- Features glass doors with silver frame above wood doors.
- Top and bottom doors lock separately. Keyed alike.
- Includes two adjustable shelves in top section and one adjustable shelf in lower section.
- Able to stand alone or be flanked by Wardrobe Cabinets.

Model No.	Dimensions	Wt.	List Price
VHC	40"W x 19"D x 80"H	284#	\$2592

### 68" WALL CABINET

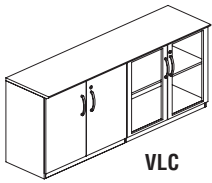


- Storage unit with choice of wood doors or glass doors.
- Includes one fixed shelf and two adjustable shelves.

Model No.	Description	Dimensions	Wt.	List Price
VCW	With wood doors	36"W x 19"D x 68"H	235#	\$1811
VCG	With glass doors	36"W x 19"D x 68"H	253#	\$1811

**NAPOLI SERIES**

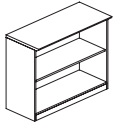
**LOW WALL CABINET WITH DOORS**



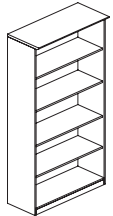
- Features a choice of wood/glass, all-wood, or all-glass door sets.
- Sets of doors lock separately. Keyed alike.
- Includes one adjustable shelf on each side.

Model No.	Description	Dimensions	Wt.	List Price
<b>VLC</b>	Wood/Glass Door Combination	72"W x 19"D x 29 1/2"H	193#	\$1749
<b>VLCW</b>	All Wood Doors	72"W x 19"D x 29 1/2"H	193#	\$1749
<b>VLCG</b>	All Glass Doors	72"W x 19"D x 29 1/2"H	193#	\$1749

**BOOKCASES**



**VB2**



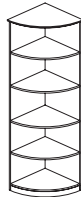
**VB5**

- Open shelves for convenient storage.
- Adjustable shelves.
- VB2 & VB5 support 75 lbs. per shelf, evenly distributed; VBQ2 & VBQ5 support 25 lbs. per shelf, evenly distributed
- Choice of two or five shelf units.
- 1" thick shelves.

Model No.	Description	Dimensions	Wt.	List Price
<b>VB2</b>	2 Shelf	36"W x 16"D x 29 1/2"H	64#	\$720
<b>VB5</b>	5 Shelf	36"W x 16"D x 68"H	140#	\$1395
<b>VBQ2</b>	2 Shelf 1/4 - Round	19"W x 19"D x 29 1/2"H	25#	\$677
<b>VBQ5</b>	5 Shelf 1/4 - Round	19"W x 19"D x 68"H	65#	\$1316



**VBQ2**



**VBQ5**

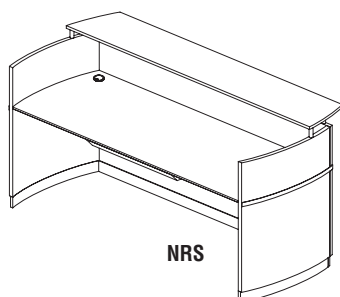
**NAPOLI RECEPTION FURNITURE**

First impressions are critical for any business. The Napoli Reception Furniture is available in three finishes, and features AA-grade North American hardwood veneers throughout.

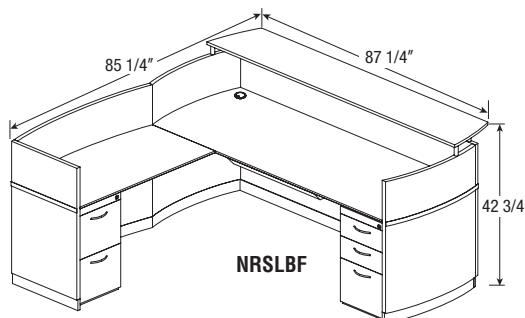
**Surfaces:** Sierra Cherry finish on cherry veneer, Mahogany finish on walnut veneer and Golden Cherry finish on beech veneer.

- All Napoli Reception Stations (except NRS) include a center drawer.
- Non-handed return.
- 3/4" frosted, tempered glass.
- Universal ADA Reception Return can only be used with Napoli Reception Station.

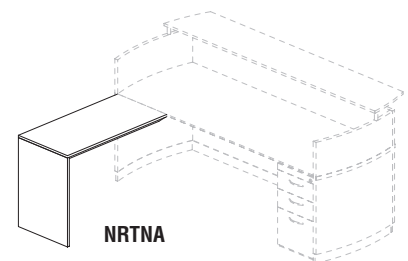
Model No.	Description	Dimensions	Wt.	List Price
<b>NRS</b>	Reception Station (no peds)	87 1/4"W x 37 1/4"D x 42 3/4"H	398#	\$3104
<b>NRSBF</b>	Reception Station w/B/B/F, F/F	87 1/4"W x 37 1/4"D x 42 3/4"H	577#	\$4952
<b>NRSBB</b>	Reception Station w/2-B/B/F	87 1/4"W x 37 1/4"D x 42 3/4"H	562#	\$4980
<b>NRSLBF</b>	Reception Station w/B/B/F, F/F	87 1/4"W x 37 1/4"D x 42 3/4"H Desk 48"W x 25"D x 39 1/4"H Return	980#	\$6493
<b>NRSLBB</b>	Reception Station w/2-B/B/F	87 1/4"W x 37 1/4"D x 42 3/4"H Desk 48"W x 25"D x 39 1/4"H Return	980#	\$6505
<b>NRSLFF</b>	Reception Station w/2-F/F	87 1/4"W x 37 1/4"D x 42 3/4"H Desk 48"W x 25"D x 39 1/4"H Return	980#	\$6465
<b>NRSLBA</b>	Reception Station w/1-B/B/F Universal ADA Return	87 1/4"W x 37 1/4"D x 42 3/4"H Desk 38"W x 25"D x 28 3/4"H Return	553#	\$4619
<b>NRTNA</b>	Universal ADA Return	38"W x 25"D x 28 3/4"H	64#	\$459



**NRS**



**NRSLBF**



**NRTNA**



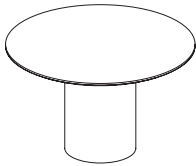
## NAPOLI SERIES

### NAPOLI CONFERENCE TABLES

The Napoli veneer conference room furniture features elegant lines with excellent durability. Available in three rich finishes, REAL Office Furniture features AA-grade select North American hardwood veneers throughout.

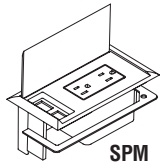
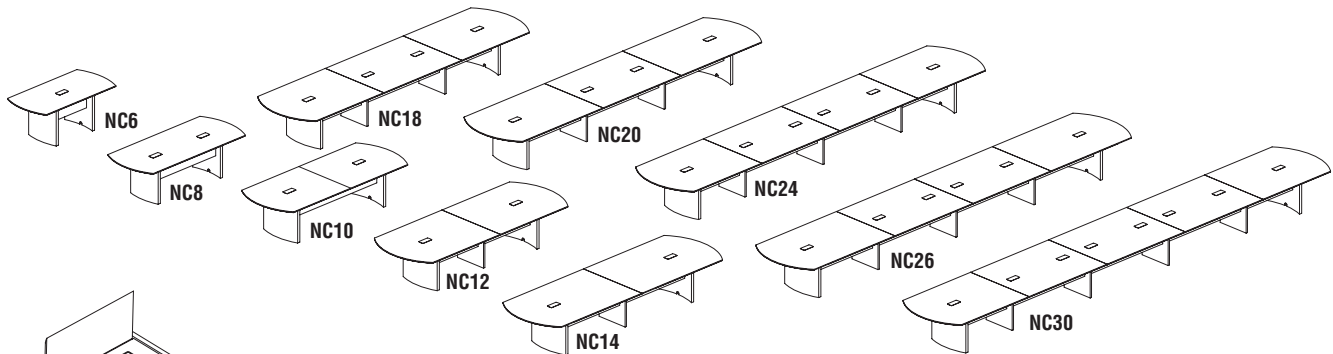
**Surfaces:** Sierra Cherry finish on cherry veneer, Mahogany finish on walnut veneer and Golden Cherry finish on beech veneer.

- All veneer surfaces are protected with two coats of high-tech catalyzed lacquer.
- Grommet hole cutout size is 2 3/4" x 6".




NCR48

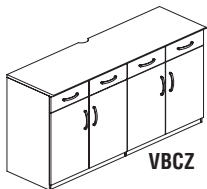
Model No.	Description	Dimensions	Wt.	List Price
NC6	6' Conference Table	72"W x 36"D x 29 1/2"H	197#	\$1762
NC8	8' Conference Table	96"W x 42"D x 29 1/2"H	236#	\$2190
NC10	10' Conference Table	120"W x 48"D x 29 1/2"H	306#	\$3100
NC12	12' Conference Table	144"W x 54"D x 29 1/2"H	358#	\$5054
NC14	14' Conference Table	168"W x 54"D x 29 1/2"H	399#	\$5290
NC18	18' Conference Table	216"W x 54"D x 29 1/2"H	545#	\$7551
NC20	20' Conference Table	240"W x 54"D x 29 1/2"H	585#	\$7786
NC24	24' Conference Table	288"W x 54"D x 29 1/2"H	732#	\$10048
NC26	26' Conference Table	312"W x 54"D x 29 1/2"H	772#	\$10283
NC30	30' Conference Table	360"W x 54"D x 29 1/2"H	919#	\$12545
NCR48	Round Conference Table	48" Round x 29 1/2"H	135#	\$1456
CTMB	Presentation Board	48" x 48" x 3 1/4"	110#	\$1411



SPM

Model No.	Description	List Price
SPM 	6 1/4"W x 4"D x 1 1/2"H Optional Power Module, UL Listed [includes RJ11-Cat 3 coupler (phone) and RJ45 coupler (data)] – 6' power cord. Black only.	\$273

### BUFFET



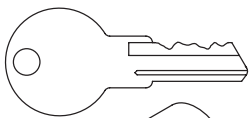
VBCZ

- Features two cabinet compartments (one adjustable shelf in each) and four drawers.
- Designed for audio/visual support including cable pass throughs and inset back panel for wall plug clearance.
- All drawer and cabinet interiors are full-finished veneer.

Model No.	Dimensions	Wt.	List Price
VBCZ	72"W x 22"D x 36"H	297#	\$2802

### REPLACEMENT LOCK CORES

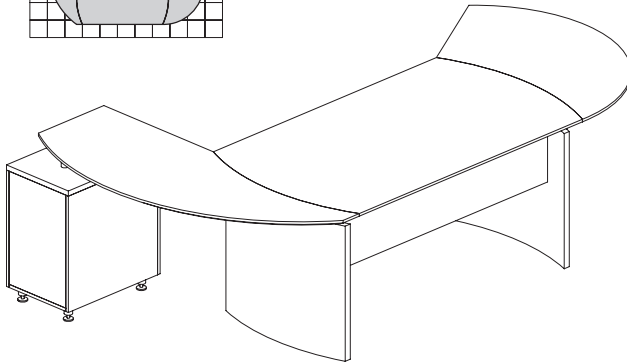
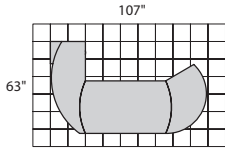
- Allows pedestals and laterals to be keyed uniquely.
- Must purchase a core removal tool to change locks cores.
- Master key available.



REALCC0100

Model No.	Description	Wt.	List Price
REALCC0100	Replacement core with keys	1#	\$20
REALCC0101	Replacement core with keys	1#	\$20
REALCC0102	Replacement core with keys	1#	\$20
REALCC0103	Replacement core with keys	1#	\$20
REALCC0104	Replacement core with keys	1#	\$20
REALCC0105	Replacement core with keys	1#	\$20
REALCC0106	Replacement core with keys	1#	\$20
REALCC0107	Replacement core with keys	1#	\$20
REALCC0108	Replacement core with keys	1#	\$20
REALCC0109	Replacement core with keys	1#	\$20
REALCC0110	Replacement core with keys	1#	\$20
REALCC0111	Replacement core with keys	1#	\$20
REALCC0112	Replacement core with keys	1#	\$20
REALCC0113	Replacement core with keys	1#	\$20
REALCC0114	Replacement core with keys	1#	\$20
REALCCRC	Core removal tool	1#	\$20
REALCCMK	Master Key	1#	\$20

# NAPOLI SERIES TYPICALS



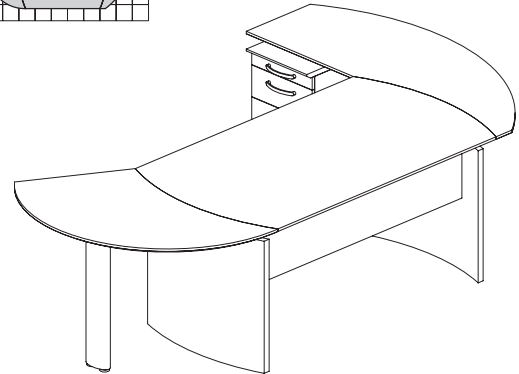
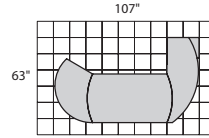
## NAPOLI SERIES – SUITE #1

**Consists of:**

QTY.	MODEL NO.	DESCRIPTION	LIST PRICE EACH
1	ND63	63"W Desk	\$1260
1	NEXTL	Curved Desk Ext.	\$578
1	NRTPR	Curved Desk Return w/Pencil-Box-File	\$1273
1	NCD	Center Drawer	\$236

**NT1**

**TOTAL: \$3347**



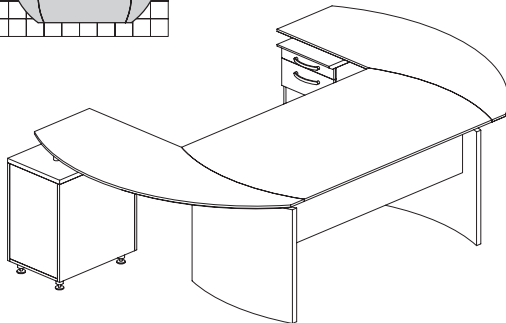
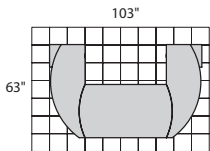
## NAPOLI SERIES – SUITE #2

**Consists of:**

QTY.	MODEL NO.	DESCRIPTION	LIST PRICE EACH
1	ND63	63"W Desk	\$1260
1	NEXTR	Curved Desk Ext.	\$578
1	NRTPL	Curved Desk Return w/Pencil-Box-File	\$1273
1	NCD	Center Drawer	\$236

**NT2**

**TOTAL: \$3347**



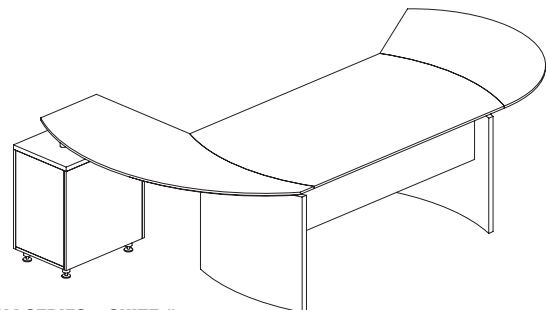
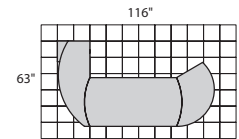
## NAPOLI SERIES – SUITE #3

**Consists of:**

QTY.	MODEL NO.	DESCRIPTION	LIST PRICE EACH
1	ND63	63"W Desk	\$1260
1	NRTPR	Curved Desk Return w/Pencil-Box-File	\$1273
1	NRTPL	Curved Desk Return w/Pencil-Box-File	\$1273
1	NCD	Center Drawer	\$236

**NT3**

**TOTAL: \$4042**



## NAPOLI SERIES – SUITE #4

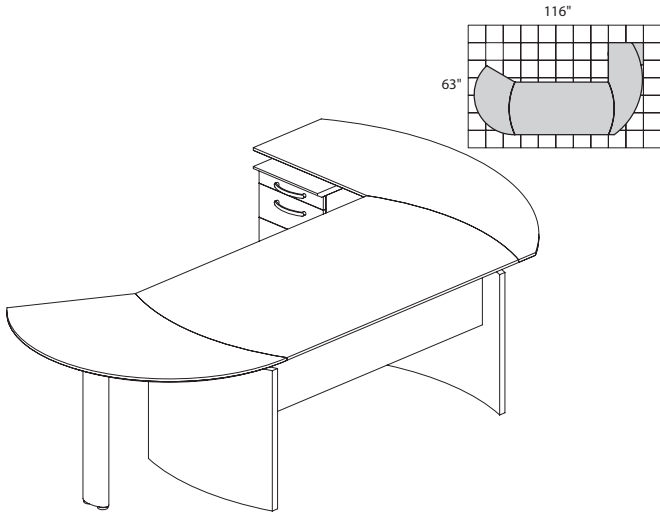
**Consists of:**

QTY.	MODEL NO.	DESCRIPTION	LIST PRICE EACH
1	ND72	72"W Desk	\$1362
1	NEXTL	Curved Desk Ext.	\$578
1	NRTPR	Curved Desk Return w/Pencil-Box-File	\$1273
1	NCD	Center Drawer	\$236

**NT4**

**TOTAL: \$3449**

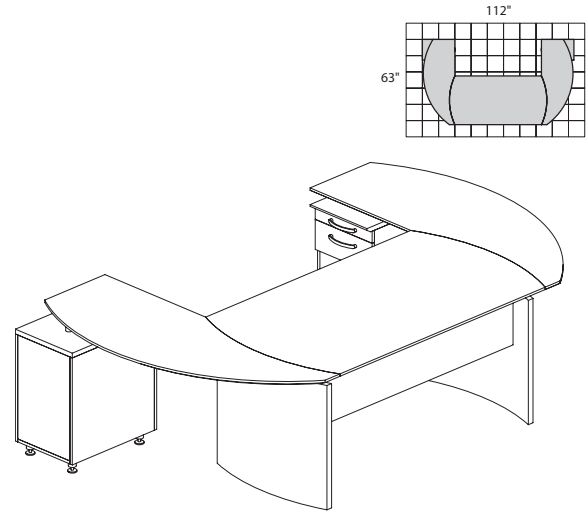
**NAPOLI SERIES TYPICALS**



**NAPOLI SERIES – SUITE #5**

Consists of:			
QTY.	MODEL NO.	DESCRIPTION	LIST PRICE EACH
1	ND72	72"W Desk	\$1362
1	NEXTR	Curved Desk Ext.	\$578
1	NRTPL	Curved Desk Return w/Pencil-Box-File	\$1273
1	NCD	Center Drawer	\$236

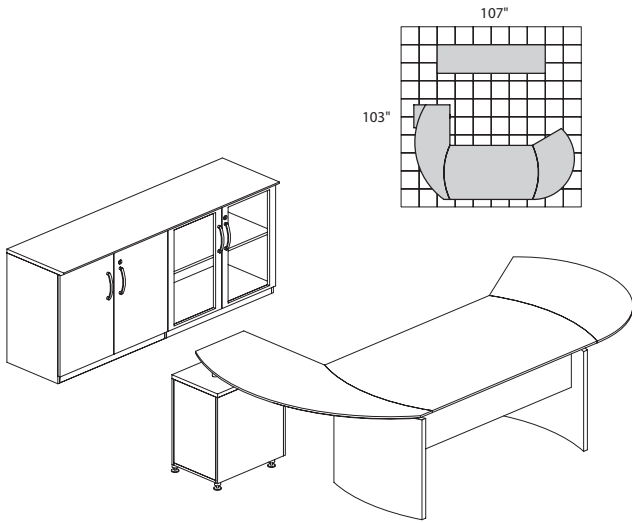
**NT5 TOTAL: \$3449**



**NAPOLI SERIES – SUITE #6**

Consists of:			
QTY.	MODEL NO.	DESCRIPTION	LIST PRICE EACH
1	ND72	72"W Desk	\$1362
1	NRTPR	Curved Desk Return w/Pencil-Box-File	\$1273
1	NRTPL	Curved Desk Return w/Pencil-Box-File	\$1273
1	NCD	Center Drawer	\$236

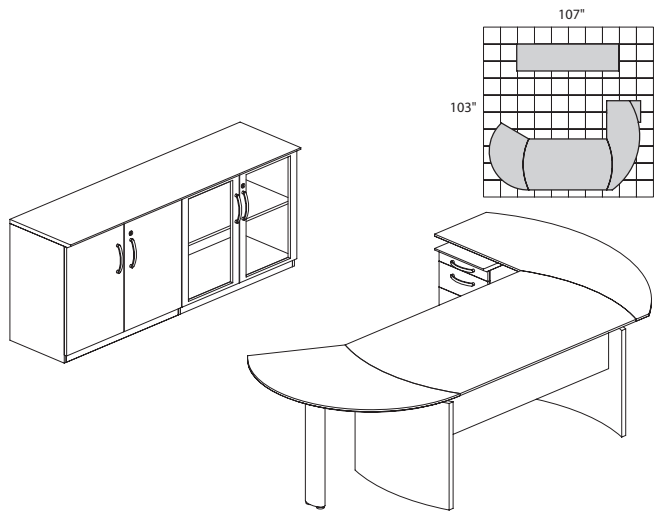
**NT6 TOTAL: \$4144**



**NAPOLI SERIES – SUITE #7**

Consists of:			
QTY.	MODEL NO.	DESCRIPTION	LIST PRICE EACH
1	ND63	63"W Desk	\$1260
1	NEXTL	Curved Desk Ext.	\$578
1	NRTPR	Curved Desk Return w/Pencil-Box-File	\$1273
1	NCD	Center Drawer	\$236
1	VLC	Low Wall Cabinet	\$1749

**NT7 TOTAL: \$5096**

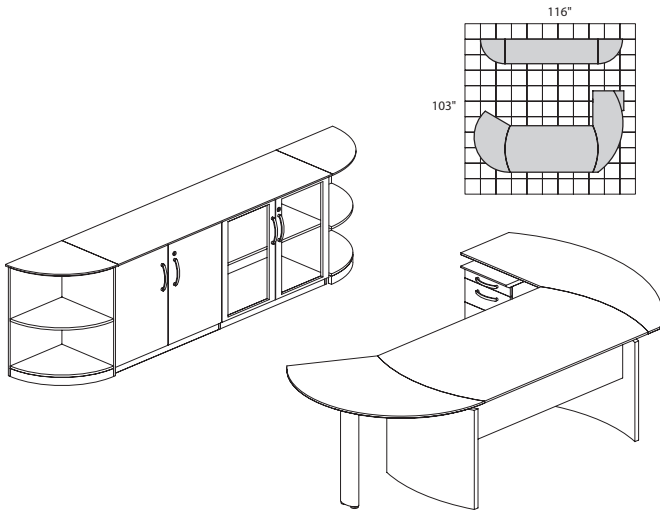


**NAPOLI SERIES – SUITE #8**

Consists of:			
QTY.	MODEL NO.	DESCRIPTION	LIST PRICE EACH
1	ND63	63"W Desk	\$1260
1	NEXTR	Curved Desk Ext.	\$578
1	NRTPL	Curved Desk Return w/Pencil-Box-File	\$1273
1	NCD	Center Drawer	\$236
1	VLC	Low Wall Cabinet	\$1749

**NT8 TOTAL: \$5096**

**NAPOLI SERIES TYPICALS**



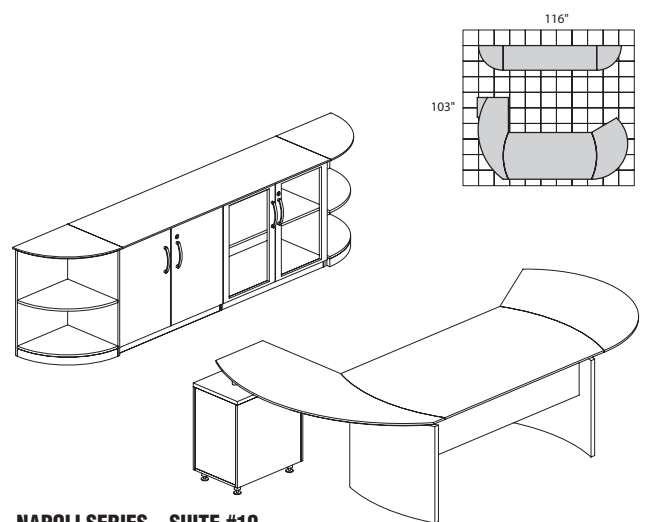
**NAPOLI SERIES – SUITE #9**

Consists of:

QTY.	MODEL NO.	DESCRIPTION	LIST PRICE EACH
1	ND72	72"W Desk	\$1362
1	NEXTR	Curved Desk Ext.	\$578
1	NRTPL	Curved Desk Return w/Pencil-Box-File	\$1273
1	NCD	Center Drawer	\$236
1	VLC	Low Wall Cabinet	\$1749
1	VBQ2	2 Shelf 1/4-Round	\$677
1	VBQ2	2 Shelf 1/4-Round	\$677

**NT9**

**TOTAL: \$6552**



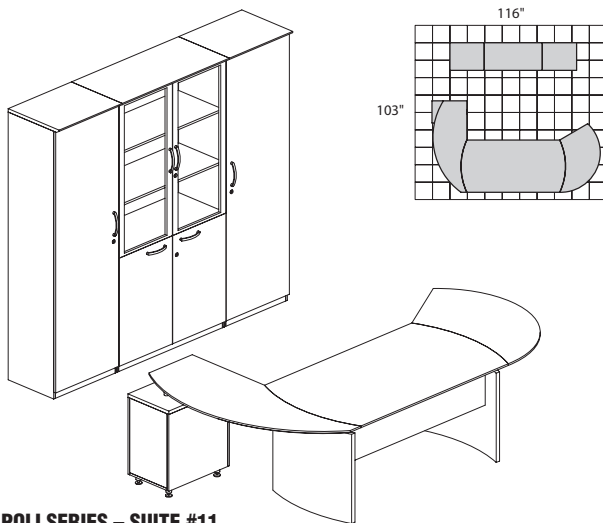
**NAPOLI SERIES – SUITE #10**

Consists of:

QTY.	MODEL NO.	DESCRIPTION	LIST PRICE EACH
1	ND72	72"W Desk	\$1362
1	NEXTL	Curved Desk Ext.	\$578
1	NRTPR	Curved Desk Return w/Pencil-Box-File	\$1273
1	NCD	Center Drawer	\$236
1	VLC	Low Wall Cabinet	\$1749
1	VBQ2	2 Shelf 1/4-Round	\$677
1	VBQ2	2 Shelf 1/4-Round	\$677

**NT10**

**TOTAL: \$6552**



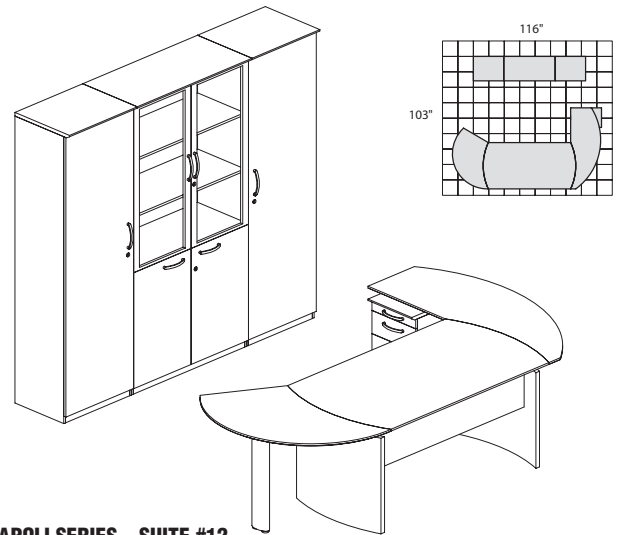
**NAPOLI SERIES – SUITE #11**

Consists of:

QTY.	MODEL NO.	DESCRIPTION	LIST PRICE EACH
1	ND72	72"W Desk	\$1362
1	NEXTL	Curved Desk Ext.	\$578
1	NRTPR	Curved Desk Return w/Pencil-Box-File	\$1273
1	NCD	Center Drawer	\$236
1	VWRDL	Wardrobe Cabinet	\$1629
1	VWRDR	Wardrobe Cabinet	\$1629
1	VHC	High Wall Cabinet	\$2592

**NT11**

**TOTAL: \$9299**



**NAPOLI SERIES – SUITE #12**

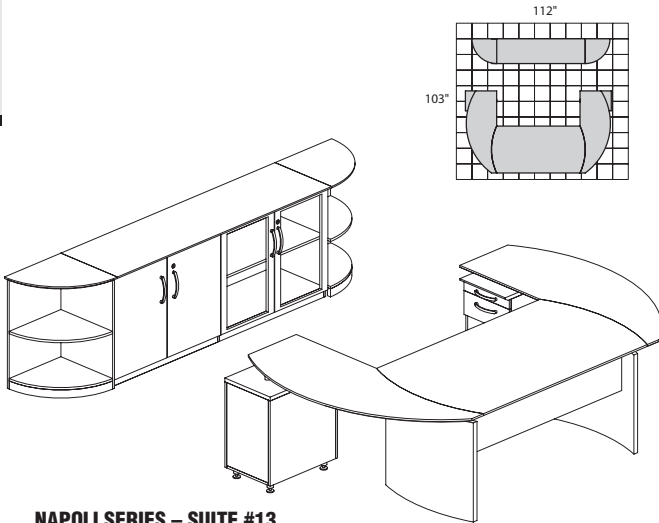
Consists of:

QTY.	MODEL NO.	DESCRIPTION	LIST PRICE EACH
1	ND72	72"W Desk	\$1362
1	NEXTR	Curved Desk Ext.	\$578
1	NRTPL	Curved Desk Return w/Pencil-Box-File	\$1273
1	NCD	Center Drawer	\$236
1	VWRDL	Wardrobe Cabinet	\$1629
1	VWRDR	Wardrobe Cabinet	\$1629
1	VHC	High Wall Cabinet	\$2592

**NT12**

**TOTAL: \$9299**

**NAPOLI SERIES TYPICALS**

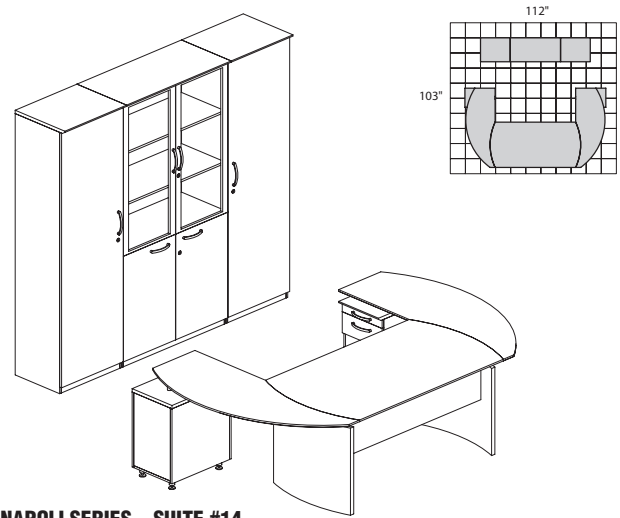


**NAPOLI SERIES – SUITE #13**

**Consists of:**

QTY.	MODEL NO.	DESCRIPTION	LIST PRICE EACH
1	ND72	72"W Desk	\$1362
1	NRTPR	Curved Desk Return w/Pencil-Box-File	\$1273
1	NRTPL	Curved Desk Return w/Pencil-Box-File	\$1273
1	NCD	Center Drawer	\$236
1	VLC	Low Wall Cabinet	\$1749
1	VBQ2	2 Shelf 1/4-Round	\$677
1	VBQ2	2 Shelf 1/4-Round	\$677

**NT13** **TOTAL: \$7247**

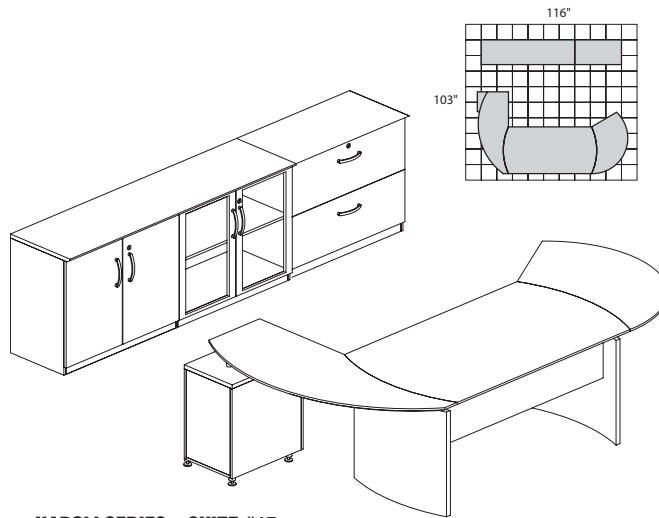


**NAPOLI SERIES – SUITE #14**

**Consists of:**

QTY.	MODEL NO.	DESCRIPTION	LIST PRICE EACH
1	ND72	72"W Desk	\$1362
1	NRTPR	Curved Desk Return w/Pencil-Box-File	\$1273
1	NRTPL	Curved Desk Return w/Pencil-Box-File	\$1273
1	NCD	Center Drawer	\$236
1	VWRDL	Wardrobe Cabinet	\$1629
1	VWRDR	Wardrobe Cabinet	\$1629
1	VHC	High Wall Cabinet	\$2592

**NT14** **TOTAL: \$9994**

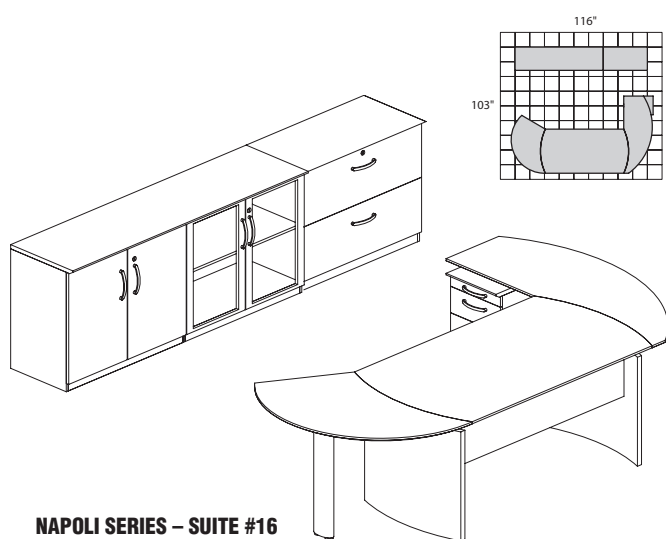


**NAPOLI SERIES – SUITE #15**

**Consists of:**

QTY.	MODEL NO.	DESCRIPTION	LIST PRICE EACH
1	ND72	72"W Desk	\$1362
1	NEXTL	Curved Desk Ext.	\$578
1	NRTPR	Curved Desk Return w/Pencil-Box-File	\$1273
1	NCD	Center Drawer	\$236
1	VLC	Low Wall Cabinet	\$1749
1	VLF	Lateral File	\$1483

**NT15** **TOTAL: \$6681**



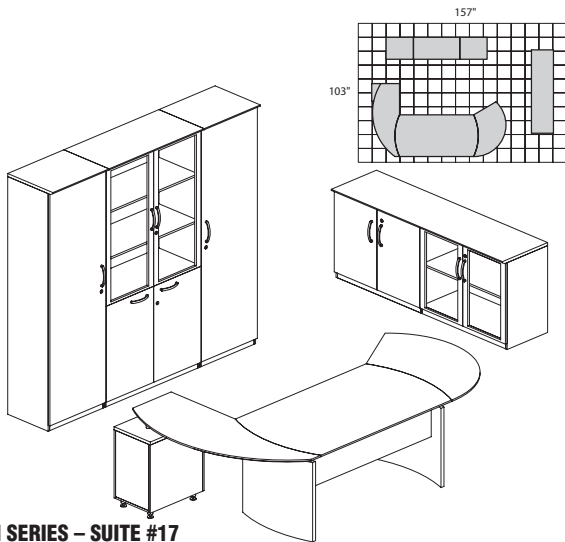
**NAPOLI SERIES – SUITE #16**

**Consists of:**

QTY.	MODEL NO.	DESCRIPTION	LIST PRICE EACH
1	ND72	72"W Desk	\$1362
1	NEXTR	Curved Desk Ext.	\$578
1	NRTPL	Curved Desk Return w/Pencil-Box-File	\$1273
1	NCD	Center Drawer	\$236
1	VLC	Low Wall Cabinet	\$1749
1	VLF	Lateral File	\$1483

**NT16** **TOTAL: \$6681**

**NAPOLI SERIES TYPICALS**



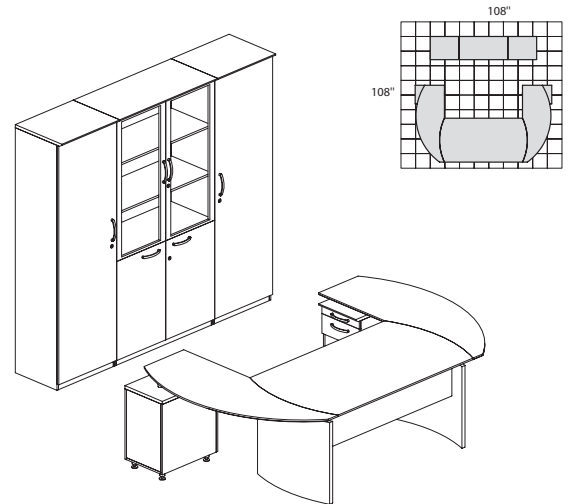
**NAPOLI SERIES – SUITE #17**

Consists of:

QTY.	MODEL NO.	DESCRIPTION	LIST PRICE EACH
1	ND72	72"W Desk	\$1362
1	NEXTL	Curved Desk Ext.	\$578
1	NRTPR	Curved Desk Return w/Pencil-Box-File	\$1273
1	NCD	Center Drawer	\$236
1	VLC	Low Wall Cabinet	\$1749
1	VWRDL	Wardrobe Cabinet	\$1629
1	VWRDR	Wardrobe Cabinet	\$1629
1	VHC	High Wall Cabinet	\$2592

**NT17**

**TOTAL: \$11048**



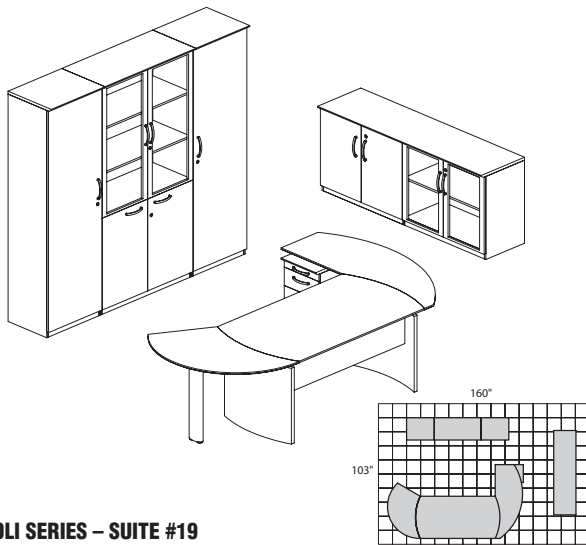
**NAPOLI SERIES – SUITE #18**

Consists of:

QTY.	MODEL NO.	DESCRIPTION	LIST PRICE EACH
1	ND72	72"W Desk	\$1362
1	NRTPR	Curved Desk Return w/Pencil-Box-File	\$1273
1	NRTPL	Curved Desk Return w/Pencil-Box-File	\$1273
1	NCD	Center Drawer	\$236
1	VWRDL	Wardrobe Cabinet	\$1629
1	VWRDR	Wardrobe Cabinet	\$1629
1	VHC	High Wall Cabinet	\$2592

**NT18**

**TOTAL: \$9994**



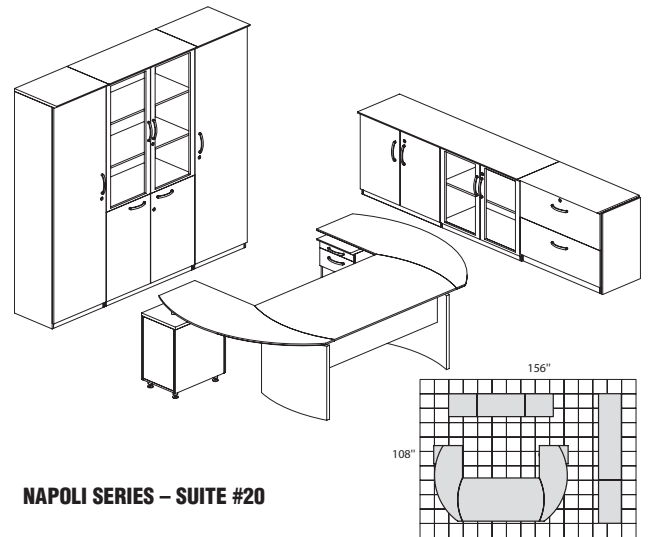
**NAPOLI SERIES – SUITE #19**

Consists of:

QTY.	MODEL NO.	DESCRIPTION	LIST PRICE EACH
1	ND72	72"W Desk	\$1362
1	NEXTR	Curved Desk Ext.	\$578
1	NRTPL	Curved Desk Return w/Pencil-Box-File	\$1273
1	NCD	Center Drawer	\$236
1	VLC	Low Wall Cabinet	\$1749
1	VWRDL	Wardrobe Cabinet	\$1629
1	VWRDR	Wardrobe Cabinet	\$1629
1	VHC	High Wall Cabinet	\$2592

**NT19**

**TOTAL: \$11048**



**NAPOLI SERIES – SUITE #20**

Consists of:

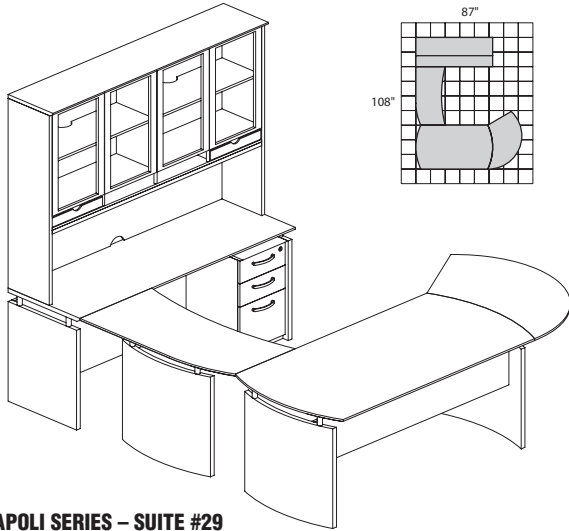
QTY.	MODEL NO.	DESCRIPTION	LIST PRICE EACH
1	ND72	72"W Desk	\$1362
1	NRTPR	Curved Desk Return w/Pencil-Box-File	\$1273
1	NRTPL	Curved Desk Return w/Pencil-Box-File	\$1273
1	NCD	Center Drawer	\$236
1	VWRDL	Wardrobe Cabinet	\$1629
1	VWRDR	Wardrobe Cabinet	\$1629
1	VHC	High Wall Cabinet	\$2592
1	VLC	Low Wall Cabinet	\$1749
1	VLF	Lateral File	\$1483

**NT20**

**TOTAL: \$13226**



**NAPOLI SERIES TYPICALS**



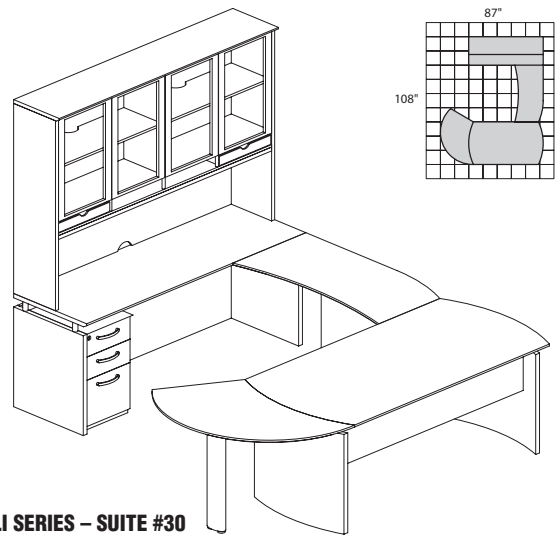
**NAPOLI SERIES – SUITE #29**

Consists of:

QTY.	MODEL NO.	DESCRIPTION	LIST PRICE EACH
1	<b>ND63</b>	63"W Desk	\$1260
1	<b>NEXTL</b>	Curved Desk Ext.	\$578
1	<b>NCD</b>	Center Drawer	\$236
1	<b>NBDGR</b>	Bridge Right-Hand	\$687
1	<b>NCNZ63</b>	63"W Credenza	\$1091
1	<b>NH63</b>	63"W Hutch	\$2345
1	<b>NBBF</b>	Box Box File	\$868
1	<b>NHTR63</b>	Pair of Trays	\$211

**NT29**

**TOTAL: \$7276**



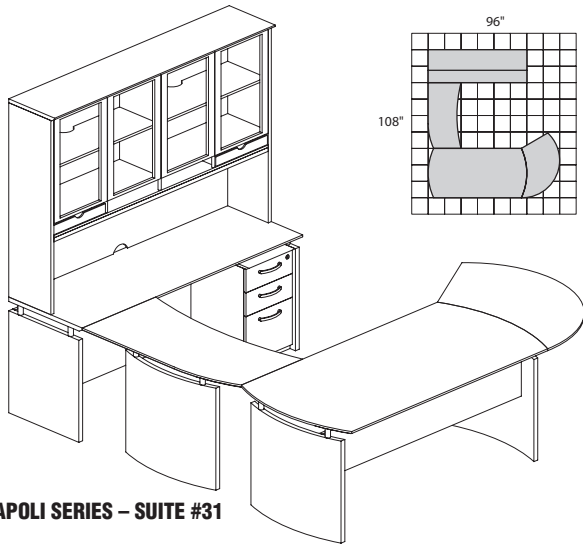
**NAPOLI SERIES – SUITE #30**

Consists of:

QTY.	MODEL NO.	DESCRIPTION	LIST PRICE EACH
1	<b>ND63</b>	63"W Desk	\$1260
1	<b>NEXTR</b>	Curved Desk Ext.	\$578
1	<b>NCD</b>	Center Drawer	\$236
1	<b>NBDGL</b>	Bridge Left-Hand	\$687
1	<b>NCNZ63</b>	63"W Credenza	\$1091
1	<b>NH63</b>	63"W Hutch	\$2345
1	<b>NBBF</b>	Box Box File	\$868
1	<b>NHTR63</b>	Pair of Trays	\$211

**NT30**

**TOTAL: \$7276**



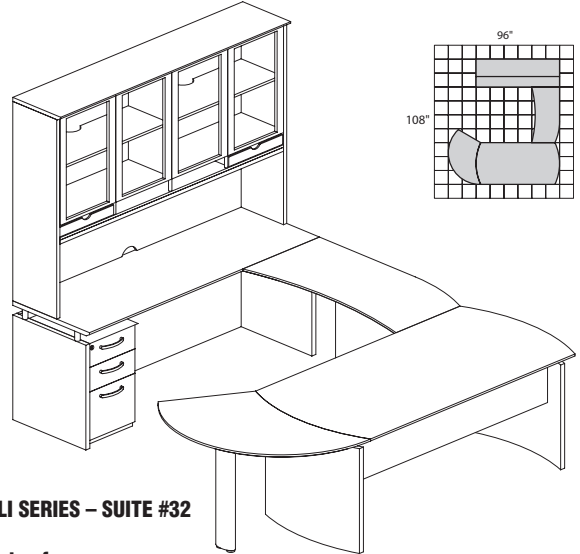
**NAPOLI SERIES – SUITE #31**

Consists of:

QTY.	MODEL NO.	DESCRIPTION	LIST PRICE EACH
1	<b>ND72</b>	72"W Desk	\$1362
1	<b>NEXTL</b>	Curved Desk Ext.	\$578
1	<b>NCD</b>	Center Drawer	\$236
1	<b>NBDGR</b>	Bridge Right-Hand	\$687
1	<b>NCNZ72</b>	72"W Credenza	\$1176
1	<b>NH72</b>	72"W Hutch	\$2485
1	<b>NBBF</b>	Box Box File	\$868
1	<b>NHTR72</b>	Pair of Trays	\$211

**NT31**

**TOTAL: \$7603**



**NAPOLI SERIES – SUITE #32**

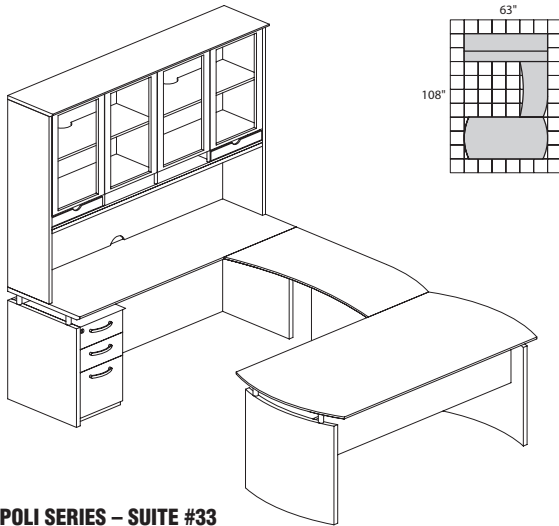
Consists of:

QTY.	MODEL NO.	DESCRIPTION	LIST PRICE EACH
1	<b>ND72</b>	72"W Desk	\$1362
1	<b>NEXTR</b>	Curved Desk Ext.	\$578
1	<b>NCD</b>	Center Drawer	\$236
1	<b>NBDGL</b>	Bridge Left-Hand	\$687
1	<b>NCNZ72</b>	72"W Credenza	\$1176
1	<b>NH72</b>	72"W Hutch	\$2485
1	<b>NBBF</b>	Box Box File	\$868
1	<b>NHTR72</b>	Pair of Trays	\$211

**NT32**

**TOTAL: \$7603**

**NAPOLI SERIES TYPICALS**

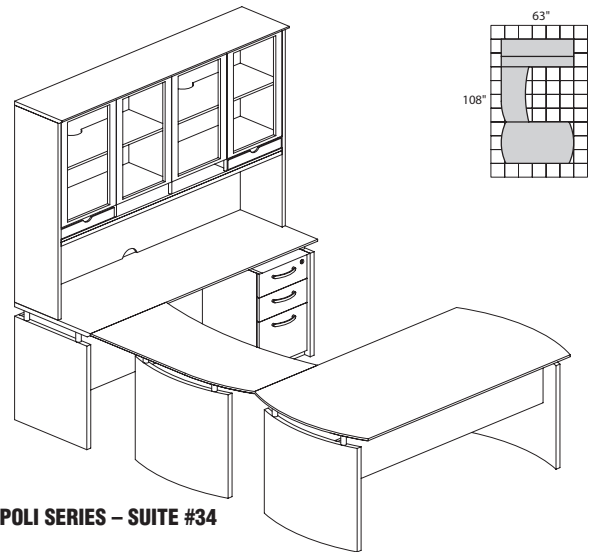


**NAPOLI SERIES – SUITE #33**

Consists of:			
QTY.	MODEL NO.	DESCRIPTION	LIST PRICE EACH
1	ND63	63"W Desk	\$1260
1	NCD	Center Drawer	\$236
1	NBDGL	Bridge Left-Hand	\$687
1	NCNZ63	63"W Credenza	\$1091
1	NH63	63"W Hutch	\$2345
1	NBBF	Box Box File	\$868
1	NHTR63	Pair of Trays	\$211

**NT33**

**TOTAL: \$6698**

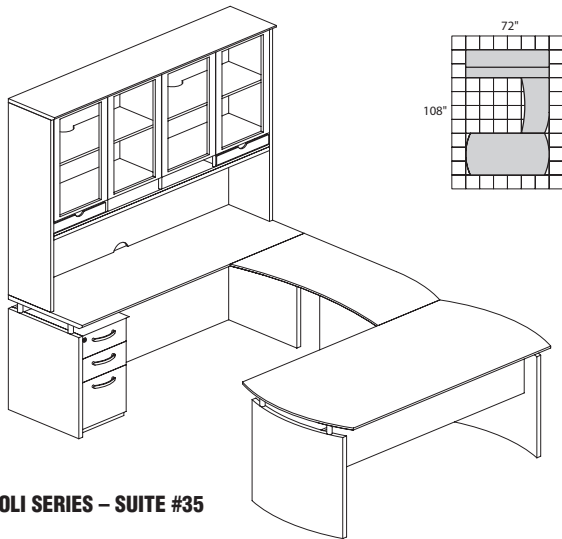


**NAPOLI SERIES – SUITE #34**

Consists of:			
QTY.	MODEL NO.	DESCRIPTION	LIST PRICE EACH
1	ND63	63"W Desk	\$1260
1	NCD	Center Drawer	\$236
1	NBDGR	Bridge Right-Hand	\$687
1	NCNZ63	63"W Credenza	\$1091
1	NH63	63"W Hutch	\$2345
1	NBBF	Box Box File	\$868
1	NHTR63	Pair of Trays	\$211

**NT34**

**TOTAL: \$6698**

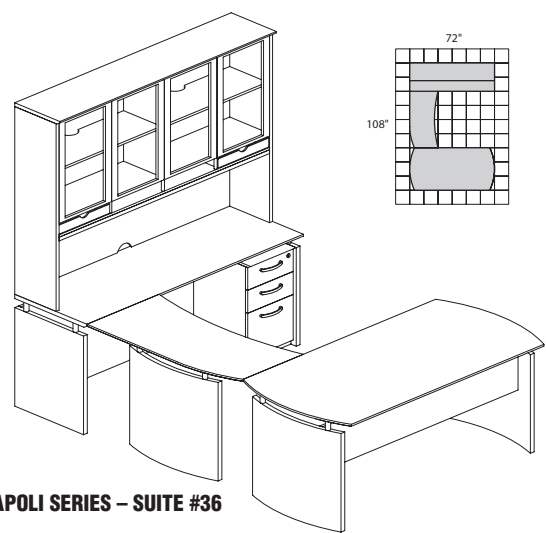


**NAPOLI SERIES – SUITE #35**

Consists of:			
QTY.	MODEL NO.	DESCRIPTION	LIST PRICE EACH
1	ND72	72"W Desk	\$1362
1	NCD	Center Drawer	\$236
1	NBDGL	Bridge Left-Hand	\$687
1	NCNZ72	72"W Credenza	\$1176
1	NH72	72"W Hutch	\$2485
1	NBBF	Box Box File	\$868
1	NHTR72	Pair of Trays	\$211

**NT35**

**TOTAL: \$7025**



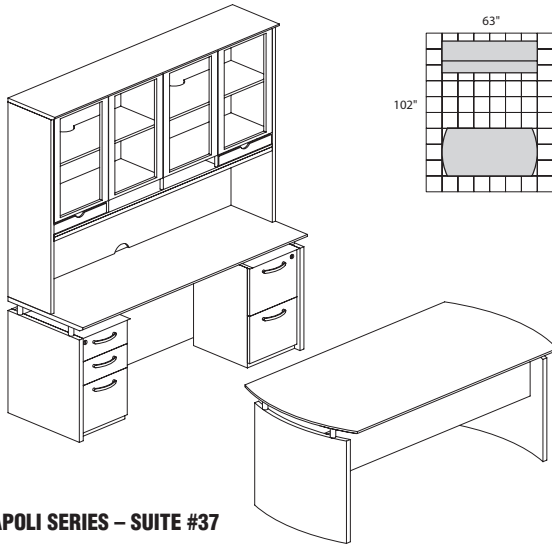
**NAPOLI SERIES – SUITE #36**

Consists of:			
QTY.	MODEL NO.	DESCRIPTION	LIST PRICE EACH
1	ND72	72"W Desk	\$1362
1	NCD	Center Drawer	\$236
1	NBDGR	Bridge Right-Hand	\$687
1	NCNZ72	72"W Credenza	\$1176
1	NH72	72"W Hutch	\$2485
1	NBBF	Box Box File	\$868
1	NHTR72	Pair of Trays	\$211

**NT36**

**TOTAL: \$7025**

**NAPOLI SERIES TYPICALS**



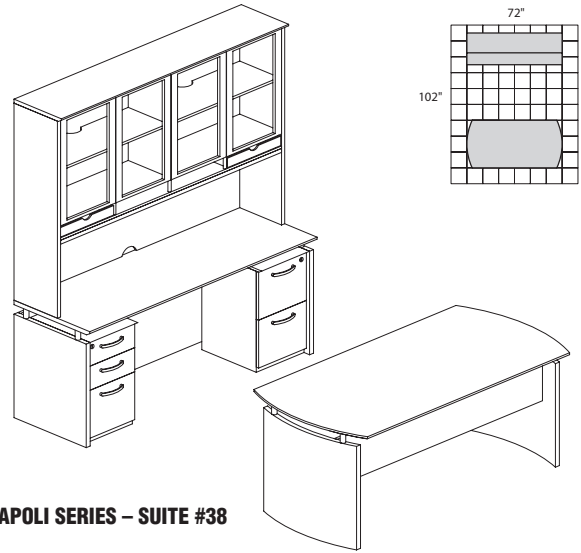
**NAPOLI SERIES – SUITE #37**

Consists of:

QTY.	MODEL NO.	DESCRIPTION	LIST PRICE EACH
1	<b>ND63</b>	63"W Desk	\$1260
1	<b>NCD</b>	Center Drawer	\$236
1	<b>NCNZ63</b>	63"W Credenza	\$1091
1	<b>NH63</b>	63"W Hutch	\$2345
1	<b>NBBF</b>	Box Box File	\$868
1	<b>NFF</b>	File File Ped	\$827
1	<b>NHTR63</b>	Pair of Trays	\$211

**NT37**

**TOTAL: \$6838**



**NAPOLI SERIES – SUITE #38**

Consists of:

QTY.	MODEL NO.	DESCRIPTION	LIST PRICE EACH
1	<b>ND72</b>	72"W Desk	\$1362
1	<b>NCD</b>	Center Drawer	\$236
1	<b>NCNZ72</b>	72"W Credenza	\$1176
1	<b>NH72</b>	72"W Hutch	\$2485
1	<b>NBBF</b>	Box Box File	\$868
1	<b>NFF</b>	File File Ped	\$827
1	<b>NHTR72</b>	Pair of Trays	\$211

**NT38**

**TOTAL: \$7165**

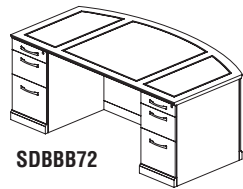
## SORRENTO DESK SERIES

The Sorrento veneer desking system is a transitional line of wood office furniture for executive offices, individual workspaces, conference rooms and reception areas. This line combines a high end look and technology-friendly features. Sorrento uses AA-grade North American Hardwood veneers throughout.

**Surface:** Choice of Espresso finish on Walnut veneer, or Bourbon Cherry finish on cherry veneer border and walnut inlays bordering Bird's Eye Maple panels.

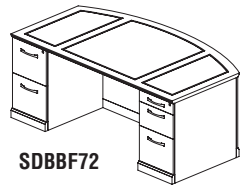
- For Bourbon Cherry finish, all horizontal desking surfaces feature hardwood inlays and Bird's Eye maple panels.
- All cabinet/drawer interiors and backs are fully finished.
- All locks are keyed alike and feature removable cores for installing "keyed different" locks after market.
- Center drawers are optional.
- All floor supported models include steel threaded leveling glides.
- All models in all finishes are available on both the Kwik-Ship and Fast Freight delivery programs with no quantity limitations.

## FREESTANDING DESKS

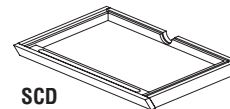
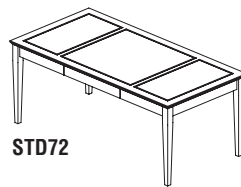
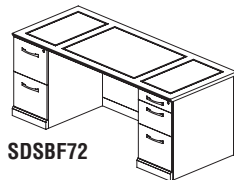
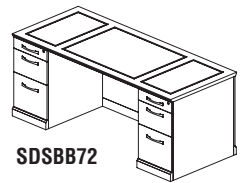


- Choose either two Pencil/Box/Files or a combination of a Pencil/Box/File and a File/File pedestal. All Freestanding Pedestals are universal.

Model No.	Description	Dimensions	Wt.	List Price
<b>SDBBB72</b>	Double Pedestal Desk, Bow Front, PBF/PBF	72"W x 39"D x 29 1/2"H	310#	\$3565
<b>SDBBF72</b>	Double Pedestal Desk, Bow Front, PBF/FF	72"W x 39"D x 29 1/2"H	307#	\$3485
<b>SDSBB72</b>	Double Pedestal Desk, Straight Front, PBF/PBF	72"W x 30"D x 29 1/2"H	289#	\$3377
<b>SDSBF72</b>	Double Pedestal Desk, Straight Front, PBF/FF	72"W x 30"D x 29 1/2"H	287#	\$3297

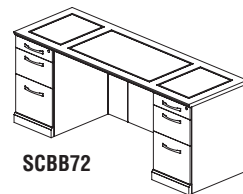


Model No.	Description	Dimensions	Wt.	List Price
<b>STD72</b>	Table Desk	72"W x 36"D x 29 1/2"H	144#	\$1668
<b>SCD</b>	Center Drawer for Desks and Credenzas	30"W x 21 1/4"D x 2 1/2"H	21#	\$377

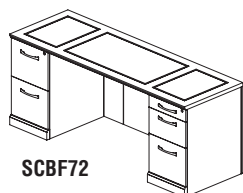


## FREESTANDING CREDENZAS

- All Credenzas feature a technology access panel for convenient connectivity.



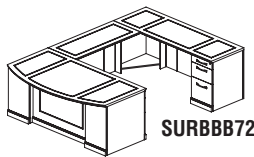
Model No.	Description	Dimensions	Wt.	List Price
<b>SCBB72</b>	Double Pedestal Credenza, PBF/PBF	72"W x 24"D x 29 1/2"H	257#	\$3038
<b>SCBF72</b>	Double Pedestal Credenza, PBF/FF	72"W x 24"D x 29 1/2"H	255#	\$2958
<b>SCFF72</b>	Double Pedestal Credenza, FF/FF	72"W x 24"D x 29 1/2"H	253#	\$2878



## SORRENTO SERIES

## U-SHAPED CONFIGURATIONS

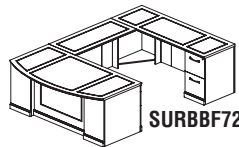
- All credenzas and bridges feature a technology access panel for convenient connectivity.
- Offered in choice of left-handed and right-handed U-configurations.



SURBBB72

Model No.	Description	Dimensions	Wt.	List Price
<b>SURBBB72</b>	Executive "U," Bowfront, Right Bridge	72"W x 39"D x 29 1/2"H Desk	536#	\$5944
	PBF-Desk, PBF-Credenza	48"W x 20"D x 29 1/2"H Bridge		
		72"W x 24"D x 29 1/2"H Credenza		

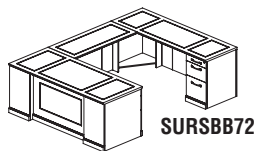
<b>SULBBB72</b>	Executive "U," Bowfront, Left Bridge	72"W x 39"D x 29 1/2"H Desk	536#	\$5944
	PBF-Desk, PBF-Credenza	48"W x 20"D x 29 1/2"H Bridge		
		72"W x 24"D x 29 1/2"H Credenza		



SURBBF72

<b>SURBBF72</b>	Executive "U," Bowfront, Right Bridge	72"W x 39"D x 29 1/2"H Desk	533#	\$5864
	PBF-Desk, FF-Credenza	48"W x 20"D x 29 1/2"H Bridge		
		72"W x 24"D x 29 1/2"H Credenza		

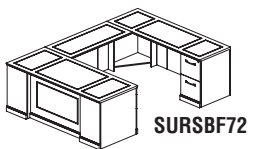
<b>SULBBF72</b>	Executive "U," Bowfront, Left Bridge	72"W x 39"D x 29 1/2"H Desk	533#	\$5864
	PBF-Desk, FF-Credenza	48"W x 20"D x 29 1/2"H Bridge		
		72"W x 24"D x 29 1/2"H Credenza		



SURSBB72

<b>SURSBB72</b>	Executive "U," Straight Front, Right Bridge	72"W x 30"D x 29 1/2"H Desk	523#	\$5756
	PBF-Desk, PBF-Credenza	48"W x 20"D x 29 1/2"H Bridge		
		72"W x 24"D x 29 1/2"H Credenza		

<b>SULSBB72</b>	Executive "U," Straight Front, Left Bridge	72"W x 30"D x 29 1/2"H Desk	523#	\$5756
	PBF-Desk, PBF-Credenza	48"W x 20"D x 29 1/2"H Bridge		
		72"W x 24"D x 29 1/2"H Credenza		



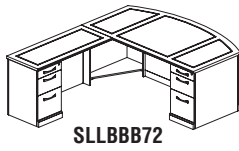
SURSBF72

<b>SURSBF72</b>	Executive "U," Straight Front, Right Bridge	72"W x 30"D x 29 1/2"H Desk	520#	\$5676
	PBF-Desk, FF-Credenza	48"W x 20"D x 29 1/2"H Bridge		
		72"W x 24"D x 29 1/2"H Credenza		

<b>SULSBF72</b>	Executive "U," Straight Front, Left Bridge	72"W x 30"D x 29 1/2"H Desk	520#	\$5676
	PBF-Desk, FF-Credenza	48"W x 20"D x 29 1/2"H Bridge		
		72"W x 24"D x 29 1/2"H Credenza		

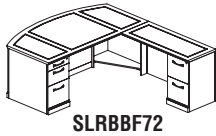
**L-SHAPED CONFIGURATIONS**

- All returns feature a technology access panel for convenient connectivity.
- Offered in choice of left-handed and right-handed L-configurations.



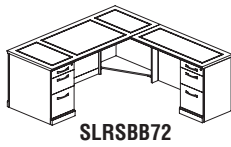
<b>Model No.</b>	<b>Description</b>	<b>Dimensions</b>	<b>Wt.</b>	<b>List Price</b>
<b>SLRBBB72</b>	Executive "L," Bowfront, Right Return	72"W x 39"D x 29 1/2"H Desk	389#	\$4505
	PBF-Desk, PBF-Return	48"W x 20"D x 29 1/2"H Return		

<b>SLLBBB72</b>	Executive "L," Bowfront, Left Return	72"W x 39"D x 29 1/2"H Desk	389#	\$4505
	PBF-Desk, PBF-Return	48"W x 20"D x 29 1/2"H Return		



<b>SLRBBF72</b>	Executive "L," Bowfront, Right Return	72"W x 39"D x 29 1/2"H Desk	386#	\$4410
	PBF-Desk, FF-Return	48"W x 20"D x 29 1/2"H Return		

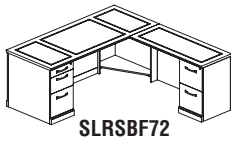
<b>SLLBBF72</b>	Executive "L," Bowfront, Left Return	72"W x 39"D x 29 1/2"H Desk	386#	\$4410
	PBF-Desk, FF-Return	48"W x 20"D x 29 1/2"H Return		



<b>SLRSBB72</b>	Executive "L," Straight Front, Right Return	72"W x 39"D x 29 1/2"H Desk	376#	\$4317
	PBF-Desk, PBF-Return	48"W x 20"D x 29 1/2"H Return		

<b>SLLSBB72</b>	Executive "L," Straight Front, Left Return	72"W x 30"D x 29 1/2"H Desk	376#	\$4317
	PBF-Desk, PBF-Return	48"W x 20"D x 29 1/2"H Return		

<b>SLRSBF72</b>	Executive "L," Straight Front, Right Return	72"W x 30"D x 29 1/2"H Desk	373#	\$4222
	PBF-Desk, FF-Return	48"W x 20"D x 29 1/2"H Return		

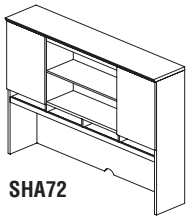


<b>SLLSBF72</b>	Executive "L," Straight Front, Left Return	72"W x 30"D x 29 1/2"H Desk	373#	\$4222
	PBF-Desk, FF-Return	48"W x 20"D x 29 1/2"H Return		



## SORRENTO SERIES

## HUTCHES



SHA72

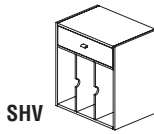
- Fully assembled.
- Hutch in Bourbon Cherry have wood doors.
- Optional tasklights are available.
- Middle shelves behind doors adjust to 3 positions on 2 1/2" increments.
- Clearance between the work surface and bottom shelf is 20 1/4".
- Hutches in Espresso have frosted glass doors.
- Optional Hutch Organizers are sized to fit in space between doors and work surface.

Model No.	Description	Dimensions	Wt.	List Price
SHA72	Hutch with Double-Height Doors	72"W x 15"D x 52 1/2"H	246#	\$2488
SHH	Hutch Organizer, Horizontal	17 1/2"W x 12 1/2"D x 19 3/4"H	36#	\$485
SHV	Hutch Organizer, Vertical	17 1/2"W x 12 1/2"D x 19 3/4"H	36#	\$485
SHLT	Pair of Hutch Letter Trays for 66" or 72" Hutch	16 3/4"W x 13"D x 2 3/4"H	7#	\$161
CTSK1	Tasklight	25"W x 4"D x 1"H	2#	\$138
SHGD	Optional Glass Doors for 72" Hutch (SCR)		30#	\$314
SHWD	Optional Wood Doors for 72" Hutch (ESP)		30#	\$314

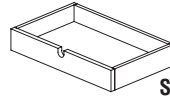
\*Note: Limited quantities of SHA66 in Bourbon Cherry available.



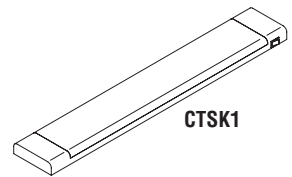
SHH



SHV



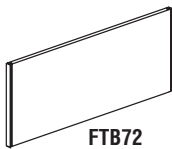
SHLT



CTSK1

## FABRIC PANELS

- Stocked in MIR1454 Birch Fabric.
- Other fabrics available as a special order; special orders sold in pairs.

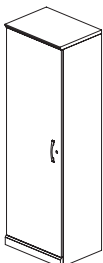


FTB72

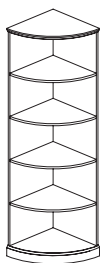
Model No.	Dimensions	Wt.	List Price
FTB72	69"W x 18 1/2"H	16#	\$493

## STORAGE OPTIONS

- Low Wall Cabinet has one internal shelf in each compartment that adjusts to 5 different positions on 1 1/4" increments. Does not lock.
- Executive Buffet Cabinet has one internal shelf in each compartment that adjusts to 3 positions and 2 1/2"H increments. Does not lock.
- Lateral files feature interlock system allowing only one drawer to open at a time. Standard gang lock provided.
- SLC and SBUF have wood doors (Bourbon Cherry) or frosted glass doors (Espresso).
- SBQ5 and SB5 have 1" thick shelves.

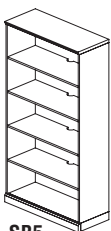


SWRD



SBQ5

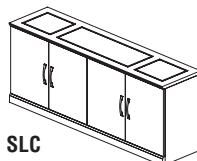
Model No.	Description	Dimensions	Wt.	List Price
SWRD	Wardrobe Cabinet – Universal	24"W x 18"D x 76"H	168#	\$1588
SBQ5	5-Shelf Quarter-Round Bookcase	18"W x 18"D x 70"H	81#	\$1197
SB5	5-Shelf Bookcase	36"W x 15"D x 70"H	150#	\$1547
SLF2	2-Drawer Lateral File	36"W x 18"D x 29 1/2"H	186#	\$1763
SLC	Low Wall Cabinet	72"W x 18"D x 29 1/2"H	235#	\$2126
SBUF	Buffet Cabinet	72"W x 22"D x 36"H	294#	\$3430



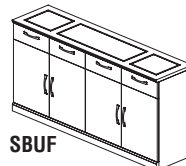
SB5



SLF2

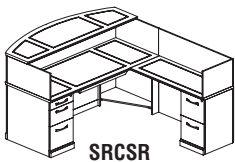
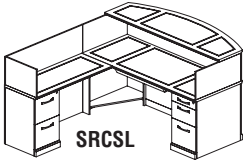
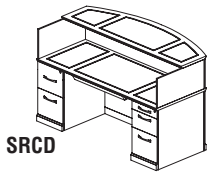


SLC



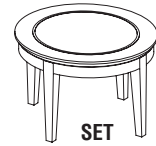
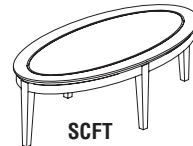
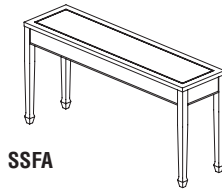
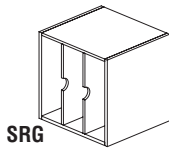
SBUF

**RECEPTION STATIONS/OCCASIONAL TABLES**

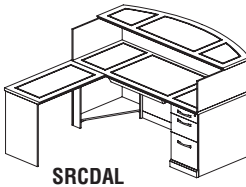


- Reception stations are available with a choice of granite or veneer counter tops.
- Bourbon Cherry stations standard with Midnight Granite. Espresso stations standard with White Sand granite.
- Configured as either a freestanding double-pedestal desk station or complete with right- or left-handed return.
- Reception stations ship complete as shown. (Counter Organizers sold separately.)
- Reception Counter Organizers can be installed in two directions offering choice of horizontal or vertical openings.

Model No.	Description	Dimensions	Wt.	List Price
<b>SRCD</b>	Reception Desk with Veneer Counter	72"W x 39"D x 45"H	481#	\$4852
<b>SRCDM</b>	Reception Desk with Granite Counter	72"W x 39"D x 45"H	532#	\$6298
<b>SRCSL</b>	Reception Desk with Veneer Counter Left Hand – Return	72"W x 39"D x 45"H Desk 48"W x 20"D x 43 1/2"H Return	583#	\$6409
<b>SRCSLM</b>	Reception Desk with Granite Counter Left Hand – Return	72"W x 39"D x 45"H Desk 48"W x 20"D x 43 1/2"H Return	634#	\$7855
<b>SRCSR</b>	Reception Desk with Veneer Counter Right Hand – Return	72"W x 39"D x 45"H Desk 48"W x 20"D x 43 1/2"H Return	583#	\$6409
<b>SRCSRM</b>	Reception Desk with Granite Counter Right Hand – Return	72"W x 39"D x 45"H Desk 48"W x 20"D x 43 1/2"H Return	634#	\$7855
<b>SRG</b>	Reception Organizer, Horizontal/Vertical	13 3/4"W x 9 3/4"D x 13 3/4"H	15#	\$336
<b>SSFA</b>	Sofa Table	16"W x 60"D x 30"H	75#	\$761
<b>SCFT</b>	Coffee Table – Oval	48"W x 24"D x 15"H	48#	\$700
<b>SET</b>	End Table	24"W x 24"D x 24"H	33#	\$511



**RECEPTION STATIONS ADA RETURN**



- All ADA reception stations come with a box-box-file pedestal.
- Conforms to ADA accessibility requirements.

Model No.	Description	Dimensions	Wt.	List Price
<b>SRCDAL</b>	Reception Desk with Veneer Counter Left Hand – ADA Return	72"W x 39"D x 45"H Desk 38"W x 24"D x 29 1/2"H Return	512#	\$4891
<b>SRCDAR</b>	Reception Desk with Veneer Counter Right Hand – ADA Return	72"W x 39"D x 45"H Desk 38"W x 24"D x 29 1/2"H Return	512#	\$4891
<b>SRCDMAL</b>	Reception Desk with Granite Counter Left Hand – ADA Return	72"W x 39"D x 45"H Desk 38"W x 24"D x 29 1/2"H Return	563#	\$6969
<b>SRCDMAR</b>	Reception Desk with Granite Counter Right Hand – ADA Return	72"W x 39"D x 45"H Desk 38"W x 24"D x 29 1/2"H Return	563#	\$6969

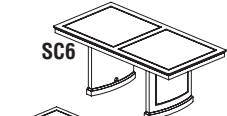
## SORRENTO SERIES

## CONFERENCE ROOM TABLES

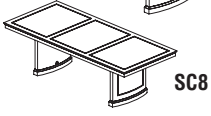


SCR48

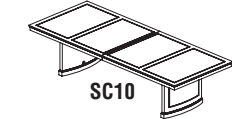
- Rectangular shaped conference tables are only available in Bourbon Cherry.
- Boat-shaped conference tables are only available in Espresso.
- Matching presentation board available.



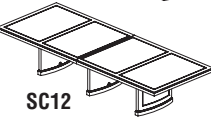
SC6



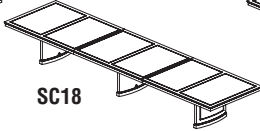
SC8



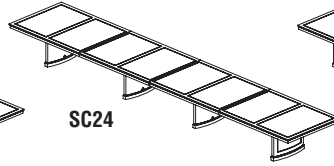
SC10



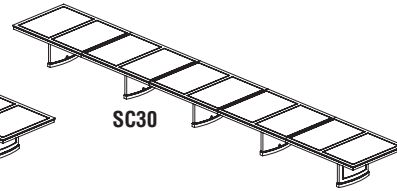
SC12



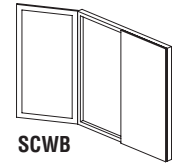
SC18



SC24



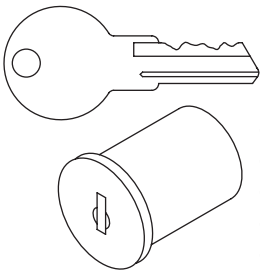
SC30



SCWB

Model No.	Description	Dimensions	Wt.	List Price
SCR48	48" Round Conference Table	48"Dia. x 29 1/2"H	164#	\$1625
SC6	6' Rectangular Conference Table	72"W x 36"D x 29 1/2"H	231#	\$2616
SC8	8' Rectangular Conference Table	96"W x 42"D x 29 1/2"H	281#	\$3011
SC10	10' Rectangular Conference Table	120"W x 48"D x 29 1/2"H	370#	\$4212
SC12	12' Rectangular Conference Table	144"D x 54"D x 29 1/2"H	514#	\$6078
SC18	18' Rectangular Conference Table	216"D x 54"D x 29 1/2"H	667#	\$9117
SC24	24' Rectangular Conference Table	288"D x 54"D x 29 1/2"H	991#	\$12156
SC30	30' Rectangular Conference Table	360"D x 54"D x 29 1/2"H	973#	\$15195
SCWB	Presentation Board	48"D x 48"D x 3 1/2"H	109#	\$1681

## REPLACEMENT LOCK CORES

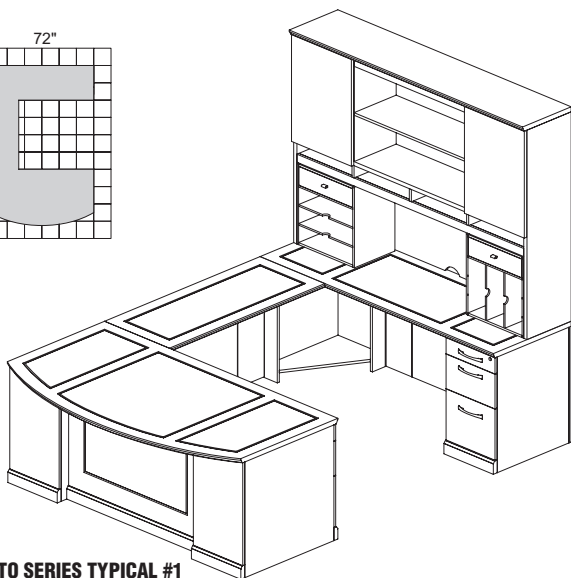
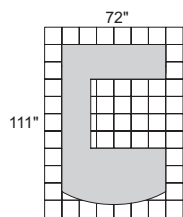


TCC0100

- Allows pedestals and laterals to be keyed uniquely.
- Master key available.
- Must purchase a core removal tool to change locks cores.
- For Espresso finish, add the letter "S" to the end of the part number for Silver lock core.

Model No.	Description	Wt.	List Price
TCC0100	Replacement core with keys	1#	\$18
TCC0101	Replacement core with keys	1#	\$18
TCC0102	Replacement core with keys	1#	\$18
TCC0103	Replacement core with keys	1#	\$18
TCC0104	Replacement core with keys	1#	\$18
TCC0105	Replacement core with keys	1#	\$18
TCC0106	Replacement core with keys	1#	\$18
TCC0107	Replacement core with keys	1#	\$18
TCC0108	Replacement core with keys	1#	\$18
TCC0109	Replacement core with keys	1#	\$18
TCC0110	Replacement core with keys	1#	\$16
TCC0111	Replacement core with keys	1#	\$16
TCC0112	Replacement core with keys	1#	\$16
TCC0113	Replacement core with keys	1#	\$16
TCC0114	Replacement core with keys	1#	\$16
REALCCRC	Core removal tool	1#	\$20
REALCCMK	Master Key	1#	\$20

# SORRENTO SERIES TYPICALS



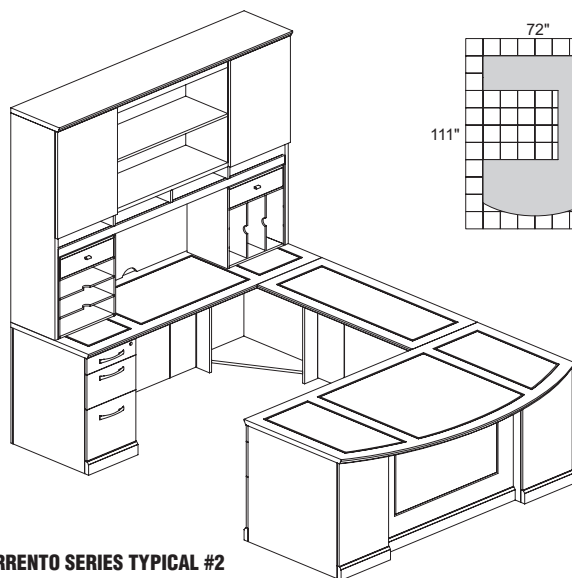
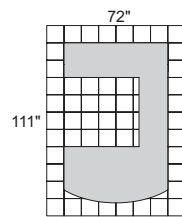
**SORRENTO SERIES TYPICAL #1**

Consists of:

QTY.	MODEL NO.	DESCRIPTION	LIST PRICE EACH
1	SURBBB72	Executive "U," Bowfront, Right Bridge PBF-Desk, PBF-Credenza	\$5944
1	SHA72	72" Hutch with Double-Height Doors	\$2488
1	SHH	Hutch Organizer, Horizontal	\$485
1	SHV	Hutch Organizer, Vertical	\$485

**ST1**

**TOTAL: \$9402**



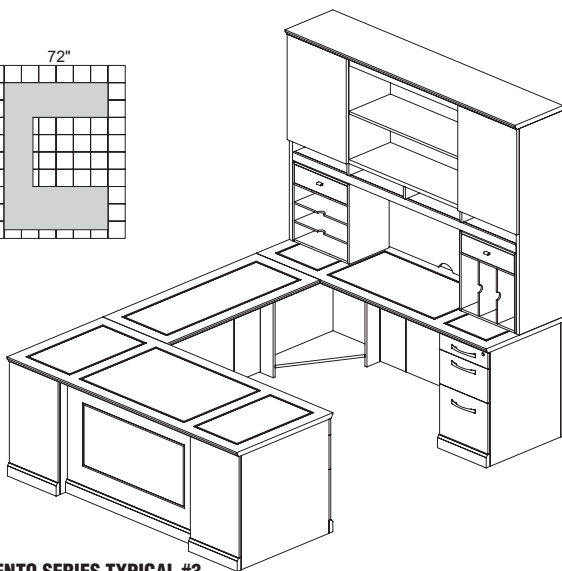
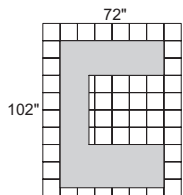
**SORRENTO SERIES TYPICAL #2**

Consists of:

QTY.	MODEL NO.	DESCRIPTION	LIST PRICE EACH
1	SULBBB72	Executive "U," Bowfront, Left Bridge PBF-Desk, FF-Credenza	\$5944
1	SHA72	72" Hutch with Double-Height Doors	\$2488
1	SHH	Hutch Organizer, Horizontal	\$485
1	SHV	Hutch Organizer, Vertical	\$485

**ST2**

**TOTAL: \$9402**



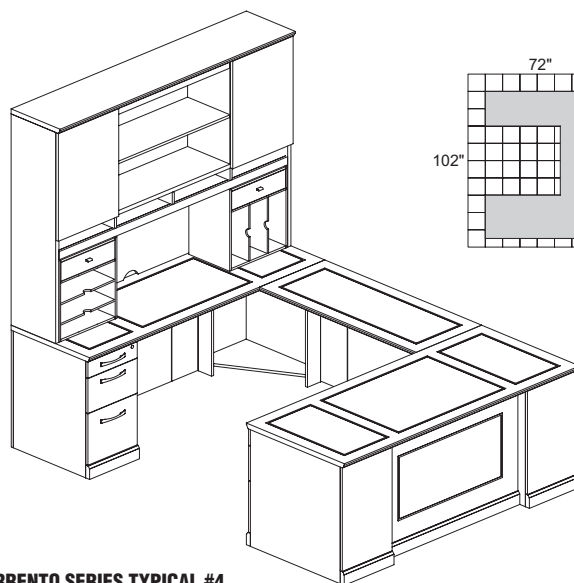
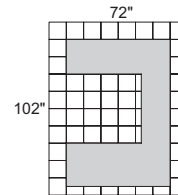
**SORRENTO SERIES TYPICAL #3**

Consists of:

QTY.	MODEL NO.	DESCRIPTION	LIST PRICE EACH
1	SURSB72	Executive "U," Straight Front, Right Bridge PBF-Desk, PBF-Credenza	\$5756
1	SHA72	72" Hutch with Double-Height Doors	\$2488
1	SHH	Hutch Organizer, Horizontal	\$485
1	SHV	Hutch Organizer, Vertical	\$485

**ST3**

**TOTAL: \$9214**



**SORRENTO SERIES TYPICAL #4**

Consists of:

QTY.	MODEL NO.	DESCRIPTION	LIST PRICE EACH
1	SULSB72	Executive "U," Straight Front, Left Bridge PBF-Desk, PBF-Credenza	\$5756
1	SHA72	72" Hutch with Double-Height Doors	\$2488
1	SHH	Hutch Organizer, Horizontal	\$485
1	SHV	Hutch Organizer, Vertical	\$485

**ST4**

**TOTAL: \$9214**

DESKING

CASEGOODS

CONFERENCE &  
TRAINING TABLES

SEATING

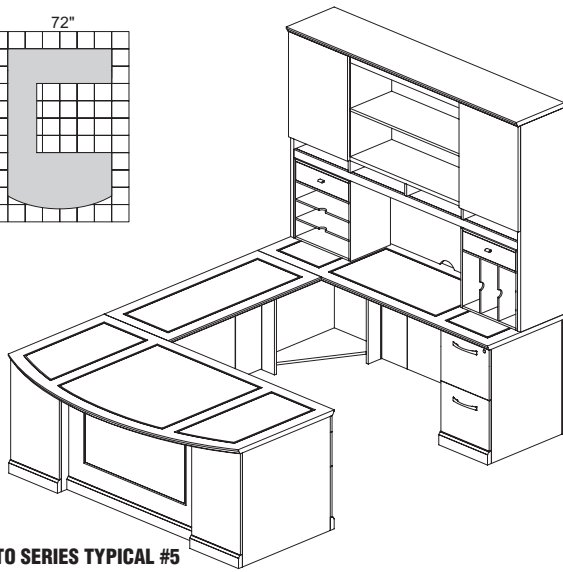
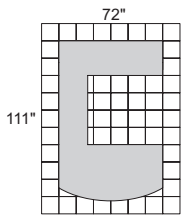
STORAGE &  
FILING

SPECIALTY  
SOLUTIONS

COM  
FORMS

PRODUCT  
INDEX

**SORRENTO SERIES TYPICALS**

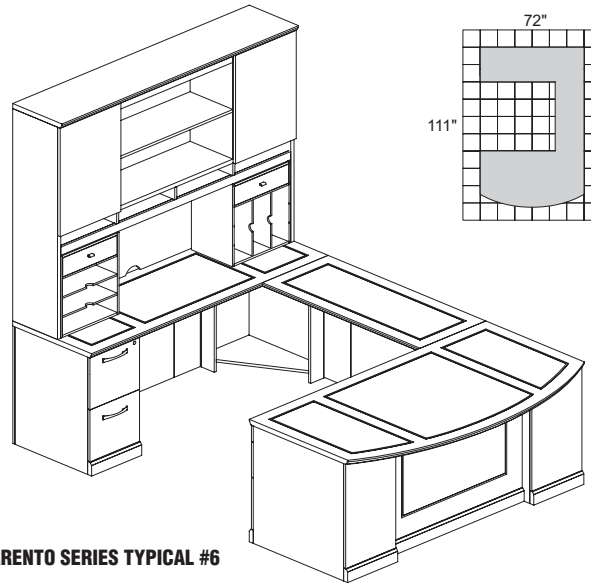
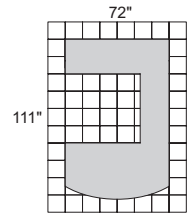


**SORRENTO SERIES TYPICAL #5**

Consists of:			
QTY.	MODEL NO.	DESCRIPTION	LIST PRICE EACH
1	<b>SURBBF72</b>	Executive "U," Bowfront, Right Bridge PBF-Desk, FF-Credenza	\$5864
1	<b>SHA72</b>	72" Hutch with Double-Height Doors	\$2488
1	<b>SHH</b>	Hutch Organizer, Horizontal	\$485
1	<b>SHV</b>	Hutch Organizer, Vertical	\$485

**ST5**

**TOTAL: \$9322**

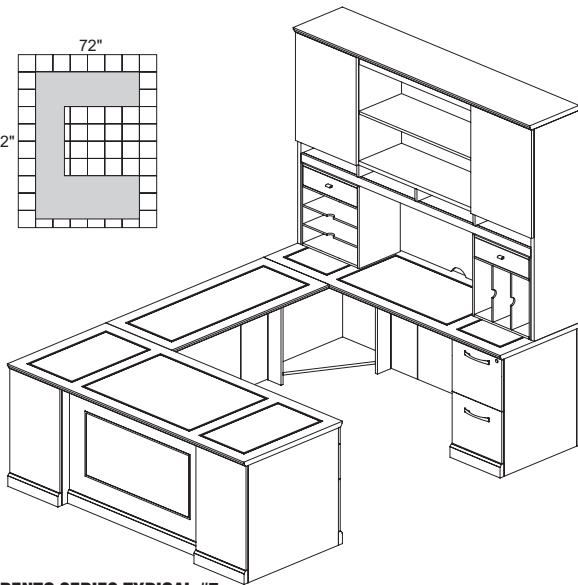
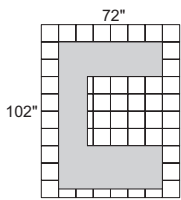


**SORRENTO SERIES TYPICAL #6**

Consists of:			
QTY.	MODEL NO.	DESCRIPTION	LIST PRICE EACH
1	<b>SULBBF72</b>	Executive "U," Bowfront, Left Bridge PBF-Desk, FF-Credenza	\$5864
1	<b>SHA72</b>	72" Hutch with Double-Height Doors	\$2488
1	<b>SHH</b>	Hutch Organizer, Horizontal	\$485
1	<b>SHV</b>	Hutch Organizer, Vertical	\$485

**ST6**

**TOTAL: \$9322**

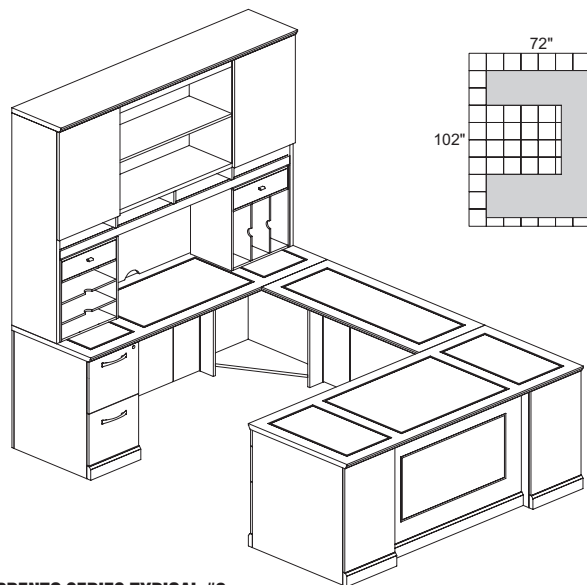
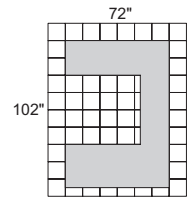


**SORRENTO SERIES TYPICAL #7**

Consists of:			
QTY.	MODEL NO.	DESCRIPTION	LIST PRICE EACH
1	<b>SURSBF72</b>	Executive "U," Straight Front, Right Bridge PBF-Desk, FF-Credenza	\$5676
1	<b>SHA72</b>	72" Hutch with Double-Height Doors	\$2488
1	<b>SHH</b>	Hutch Organizer, Horizontal	\$485
1	<b>SHV</b>	Hutch Organizer, Vertical	\$485

**ST7**

**TOTAL: \$9134**



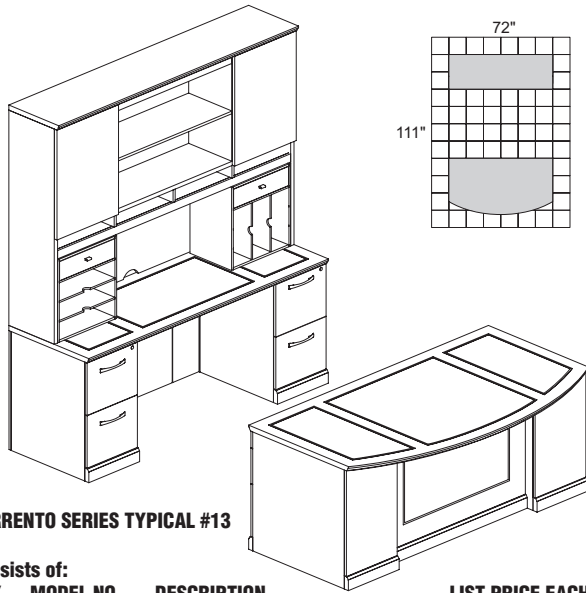
**SORRENTO SERIES TYPICAL #8**

Consists of:			
QTY.	MODEL NO.	DESCRIPTION	LIST PRICE EACH
1	<b>SULSBF72</b>	Executive "U," Straight Front, Left Bridge PBF-Desk, FF-Credenza	\$5676
1	<b>SHA72</b>	72" Hutch with Double-Height Doors	\$2488
1	<b>SHH</b>	Hutch Organizer, Horizontal	\$485
1	<b>SHV</b>	Hutch Organizer, Vertical	\$485

**ST8**

**TOTAL: \$9134**

**SORRENTO SERIES TYPICALS**

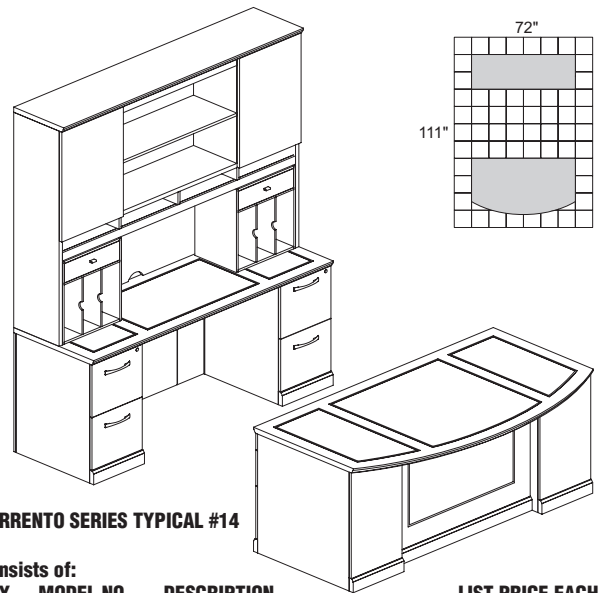


**SORRENTO SERIES TYPICAL #13**

Consists of:			
QTY.	MODEL NO.	DESCRIPTION	LIST PRICE EACH
1	<b>SDBBB72</b>	Double Pedestal Desk, Bowfront (2) PBF-Desk	\$3565
1	<b>SCFF72</b>	Double Pedestal Credenza (2) FF-Credenza	\$2878
1	<b>SHA72</b>	72" Hutch with Double-Height Doors	\$2488
1	<b>SHH</b>	Hutch Organizer, Horizontal	\$485
1	<b>SHV</b>	Hutch Organizer, Vertical	\$485

**ST13**

**TOTAL: \$9901**

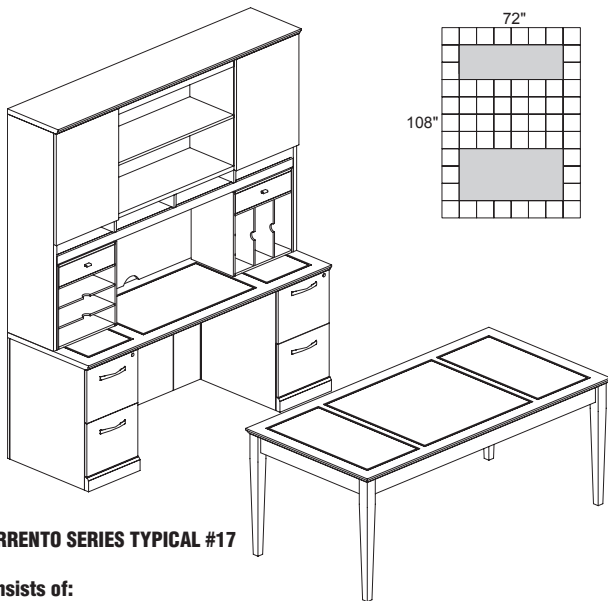


**SORRENTO SERIES TYPICAL #14**

Consists of:			
QTY.	MODEL NO.	DESCRIPTION	LIST PRICE EACH
1	<b>SDBBB72</b>	Double Pedestal Desk, Bowfront (2) PBF-Desk	\$3565
1	<b>SCFF72</b>	Double Pedestal Credenza (2) FF-Credenza	\$2878
1	<b>SHA72</b>	72" Hutch with Double-Height Doors	\$2488
2	<b>SHV</b>	Hutch Organizer, Vertical	\$485

**ST14**

**TOTAL: \$9901**

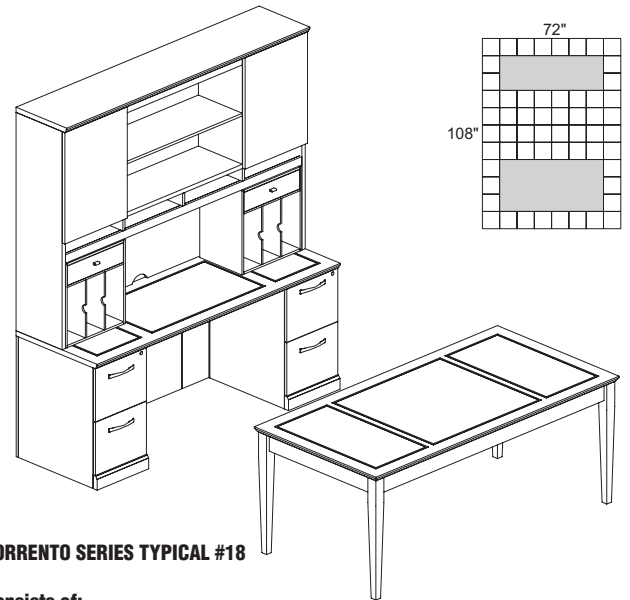


**SORRENTO SERIES TYPICAL #17**

Consists of:			
QTY.	MODEL NO.	DESCRIPTION	LIST PRICE EACH
1	<b>STD72</b>	72" Table Desk	\$1668
1	<b>SCFF72</b>	Double Pedestal Credenza (2) FF-Credenza	\$2878
1	<b>SHA72</b>	72" Hutch with Double-Height Doors	\$2488
1	<b>SHH</b>	Hutch Organizer, Horizontal	\$485
1	<b>SHV</b>	Hutch Organizer, Vertical	\$485

**ST17**

**TOTAL: \$8004**



**SORRENTO SERIES TYPICAL #18**

Consists of:			
QTY.	MODEL NO.	DESCRIPTION	LIST PRICE EACH
1	<b>STD72</b>	72" Table Desk	\$1668
1	<b>SCFF72</b>	Double Pedestal Credenza (2) FF-Credenza	\$2878
1	<b>SHA72</b>	72" Hutch with Double-Height Doors	\$2488
1	<b>SHV</b>	Hutch Organizer, Vertical	\$485
1	<b>SHV</b>	Hutch Organizer, Vertical	\$485

**ST18**

**TOTAL: \$8004**

DESKING

CASEGOODS

CONFERENCE &  
TRAINING TABLES

SEATING

STORAGE &  
FILING

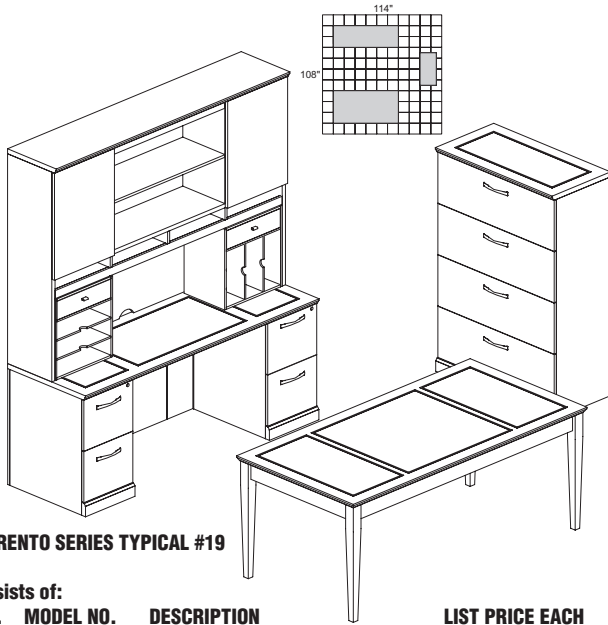
SPECIALTY  
SOLUTIONS

COM  
FORMS

PRODUCT  
INDEX



## SORRENTO SERIES TYPICALS



SORRENTO SERIES TYPICAL #19

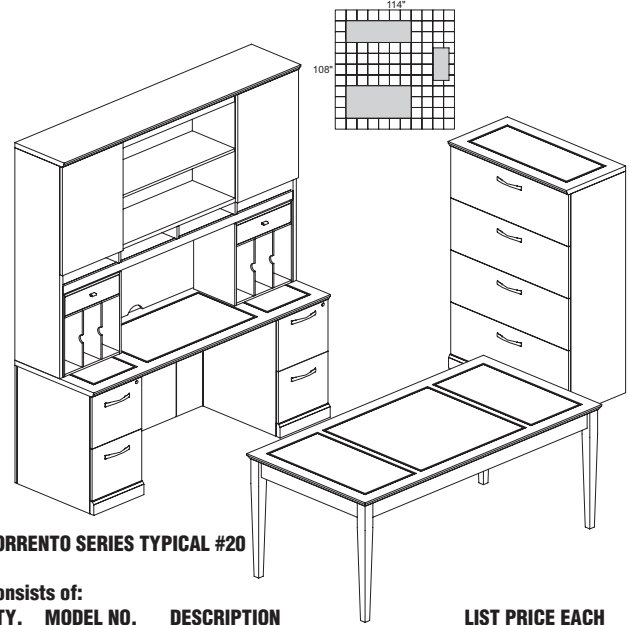
## Consists of:

QTY.	MODEL NO.	DESCRIPTION	LIST PRICE EACH
1	STD72	72" Table Desk	\$1668
1	SCFF72	Double Pedestal Credenza (2) FF-Credenza	\$2878
1	SLF4	4-Drawer Lateral File	\$3013
1	SHA72	72" Hutch with Double-Height Doors	\$2488
1	SHH	Hutch Organizer, Horizontal	\$485
1	SHV	Hutch Organizer, Vertical	\$485

ST19\*

TOTAL: **\$11017**

\*NOTE: Available in Espresso finish only and quantities are limited.



SORRENTO SERIES TYPICAL #20

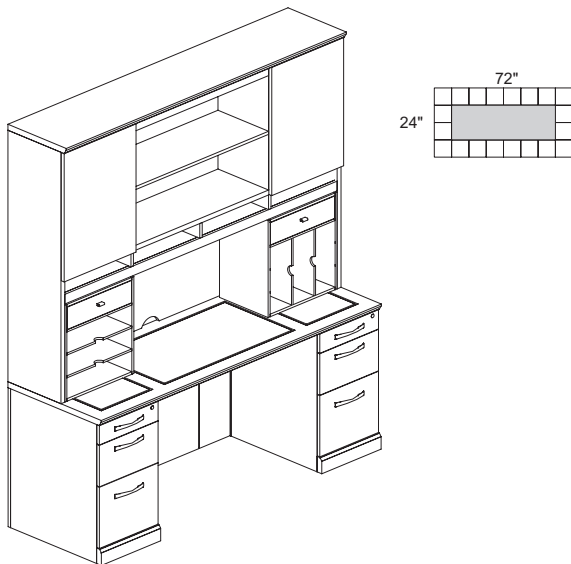
## Consists of:

QTY.	MODEL NO.	DESCRIPTION	LIST PRICE EACH
1	STD72	72" Table Desk	\$1668
1	SCFF72	Double Pedestal Credenza (2) FF-Credenza	\$2878
1	SLF4	4-Drawer Lateral File	\$3013
1	SHA72	72" Hutch with Double-Height Doors	\$2488
1	SHV	Hutch Organizer, Vertical	\$485
1	SHV	Hutch Organizer, Vertical	\$485

ST20\*

TOTAL: **\$11017**

\*NOTE: Available in Espresso finish only and quantities are limited.

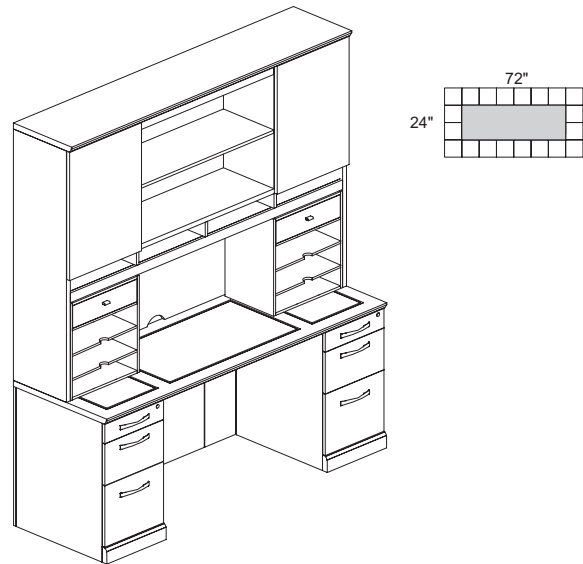


SORRENTO SERIES TYPICAL #21

## Consists of:

QTY.	MODEL NO.	DESCRIPTION	LIST PRICE EACH
1	SCBB72	Double Pedestal Credenza (2) PBF-Credenza	\$3038
1	SHA72	72" Hutch with Double-Height Doors	\$2488
1	SHH	Hutch Organizer, Horizontal	\$485
1	SHV	Hutch Organizer, Vertical	\$485

ST21

TOTAL: **\$6496**

SORRENTO SERIES TYPICAL #22

## Consists of:

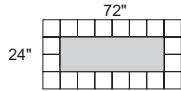
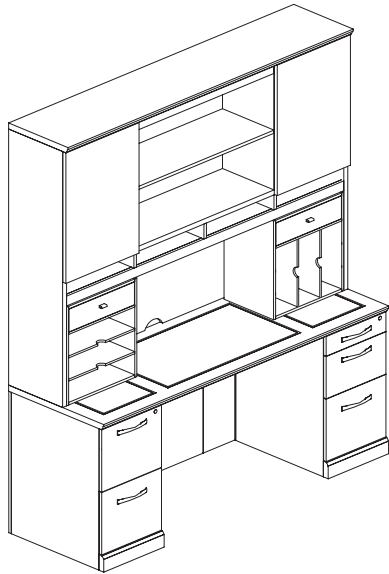
QTY.	MODEL NO.	DESCRIPTION	LIST PRICE EACH
1	SCBB72	Double Pedestal Credenza (2) PBF-Credenza	\$3038
1	SHA72	72" Hutch with Double-Height Doors	\$2488
1	SHH	Hutch Organizer, Horizontal	\$485
1	SHH	Hutch Organizer, Vertical	\$485

ST22

TOTAL: **\$6496**



**SORRENTO SERIES TYPICALS**



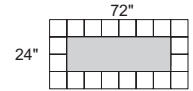
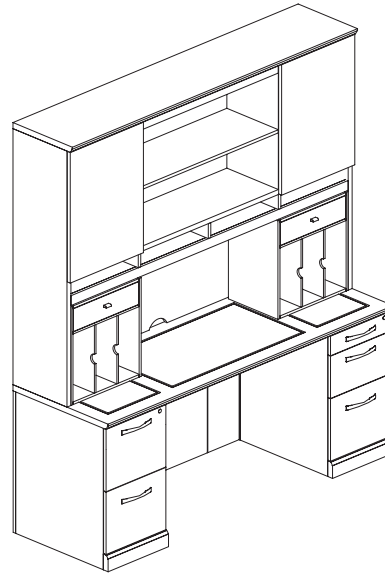
**SORRENTO SERIES TYPICAL #23**

Consists of:

QTY.	MODEL NO.	DESCRIPTION	LIST PRICE EACH
1	SCBF72	Double Pedestal Credenza (1) PBF & (1) FF Credenza	\$2958
1	SHA72	72" Hutch with Double-Height Doors	\$2488
1	SHH	Hutch Organizer, Horizontal	\$485
1	SHV	Hutch Organizer, Vertical	\$485

**ST23**

**TOTAL: \$6416**



**SORRENTO SERIES TYPICAL #24**

Consists of:

QTY.	MODEL NO.	DESCRIPTION	LIST PRICE EACH
1	SCBF72	Double Pedestal Credenza (1) PBF & (1) FF Credenza	\$2958
1	SHA72	72" Hutch with Double-Height Doors	\$2488
1	SHV	Hutch Organizer, Horizontal	\$485
1	SHV	Hutch Organizer, Vertical	\$485

**ST24**

**TOTAL: \$6416**

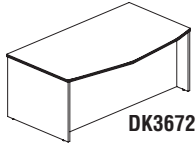
## LUMINARY SERIES

Designed with today's sensible buyer in mind, the Luminary Series by REAL Office provides quality and a versatile line of veneer casegoods at an amazing price. Luminary is available in two finishes with AA-grade North American hardwood veneers used throughout.

**Surfaces:** Cherry finish on Cherry veneer and Maple finish on Maple veneer.

- Desk, returns and credenza work surfaces are 1 1/4" thick with reeded edge.
- Modular and non-handed construction for flexibility and versatility.
- Full peds available in both BBF and FF. Available in 19", 22" and 28" depths.
- Full extension ball bearing suspension provides quiet drawer operation.
- All models in all finishes are available on both the Kwik-Ship and Fast Freight delivery programs with no quantity limitations.
- Central locking on all drawers with random or key alike options.
- Veneers are book matched and highlight the natural beauty of the Cherry and Maple grain.
- All floor supported units have adjustable glides for leveling on uneven floors.

## BOW FRONT DESK



- Features bow front surface and end panels with reeded edge.
- Full height modesty panels.

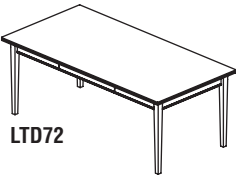
Model No.	Description	Dimensions	Wt.	List Price
DK3672	72" Bow Front Desk	72"W x 42"D x 29"H	188#	\$1261

## STRAIGHT FRONT DESK



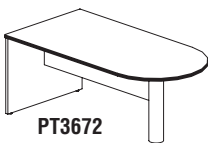
Model No.	Description	Dimensions	Wt.	List Price
DKS3672	72" Straight Front Desk	72"W x 36"D x 29"H	188#	\$1250

## TABLE DESK



Model No.	Description	Dimensions	Wt.	List Price
LTD72	72" Table Desk	72"W x 36"D x 29"H	144#	\$1192

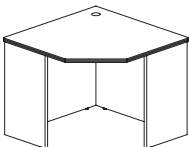
## PENINSULA DESK



- Modesty panel is 14 1/2"H.

Model No.	Description	Dimensions	Wt.	List Price
PT3672	Return / Bridge Supported	72"W x 36"D x 29"H	133#	\$1032

## CORNER TABLE



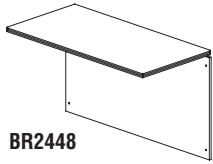
- Full height modesty panel.
- Grommet in top surface standard.
- One grommet located in each leg.

Model No.	Description	Dimensions	Wt.	List Price
CU243636*	Corner Table	36"W x 24"D x 29"H	131#	\$677

\*Note: Limited quantities available.

## LUMINARY SERIES

## BRIDGE

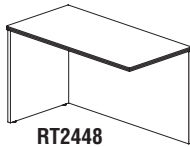


BR2448

- Universal mounting to right or left side of desk.
- Not free standing. Requires connection to desk and credenza.
- Includes full-height modesty panel.

Model No.	Description	Dimensions	Wt.	List Price
BR2448	Bridge (Non-Handed)	48"W x 24"D x 29"H	62#	\$398

## RETURN

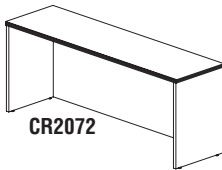


RT2448

- Features end panel with reeded edge.
- Includes full-height modesty panel.

Model No.	Description	Dimensions	Wt.	List Price
RT2436	Return (Non-Handed)	36"W x 24"D x 29"H	62#	\$517
RT2448	Return (Non-Handed)	48"W x 24"D x 29"H	78#	\$527

## CREDENZA

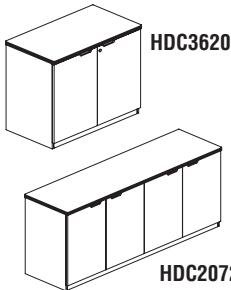


CR2072

- Full-height modesty panel.
- Reeded edge matching desk detailing.

Model No.	Description	Dimensions	Wt.	List Price
CR2072	72" Credenza	72"W x 20"D x 29"H	122#	\$701

## HINGED DOOR CREDENZA



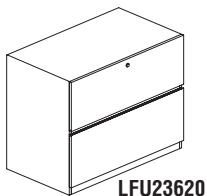
HDC3620

HDC2072

- Interior finished to match exterior veneer.
- Gang-lock (on HDC3620 only) features removable core enabling keyed-alike suites.
- One adjustable shelf.

Model No.	Description	Dimensions	Wt.	List Price
HDC3620	2-Door Hinged Credenza	36"W x 20"D x 29"H	100#	\$1065
HDC2072	4-Door Hinged Credenza	72"W x 20"D x 29"H	192#	\$1754

## LATERAL FILE – 2 DRAWER



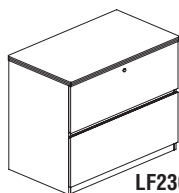
LFU23620

- Unfinished top. Must be installed under credenza. Two files fit under 72" credenza.
- Gang-lock features removable core enabling keyed-alike suites.
- Drawers operate smoothly using full-extension ball-bearing suspensions.
- Includes counter-weight for stability when in use.
- Accommodates letter and legal size hanging file folders.
- Optional top for lateral file available.

Model No.	Description	Dimensions	Wt.	List Price
LFU23620	Lateral File, Unfinished Top	34 5/8"W x 19"D x 27 3/4"H	113#	\$1124
LFUT23620*	Optional Top		24#	\$256

\*Note: Limited quantities available.

## LUMINARY SERIES

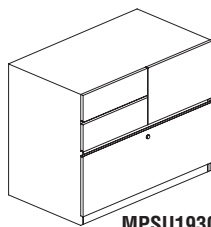


LF23620

- Gang-lock features removable core enabling keyed-alike suites.
- Drawers operate smoothly using full-extension ball-bearing suspensions.
- Includes counter-weight for stability when in use.
- Accommodates letter and legal size hanging file folders.

Model No.	Description	Dimensions	Wt.	List Price
LF23620	Lateral File, Finished Top	34 5/8"W x 20"D x 29"H	131#	\$1162

## MULTI-PURPOSE STORAGE UNIT



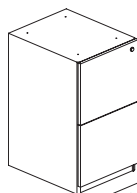
MPSU1930

- Unfinished top. Must be installed under credenza.
- Drawer interiors finished to match exterior veneer.
- Gang-lock features removable core enabling keyed-alike suites.
- Drawers operate smoothly using full-extension ball-bearing suspensions.
- Includes counter-weight for stability when in use.
- Accommodates letter and legal sized hanging file folders.
- Bottom level features full size layered file drawer.
- Optional top for lateral file available.

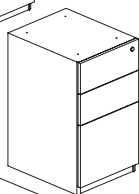
Model No.	Description	Dimensions	Wt.	List Price
MPSU1930*	Multi-Purpose Unit, Unfinished Top	34 5/8"W x 19"D x 27 3/4"H	128#	\$1564
MPSUT1930	Optional Top	34 5/8"W x 19"D x 1 1/2"H	22#	\$202

\*Note: Limited quantities available in Maple.

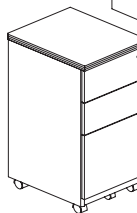
## PEDESTAL FILES FOR CREDENZA / RETURN



PFF19



PBBF19

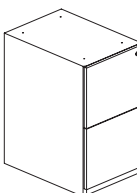


PBBFT19

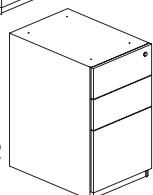
- Drawer interiors are finished to match exterior veneer.
- Drawers operate smoothly using full-extension ball-bearing suspensions. Gang-lock features removable core.
- Choice of two styles featuring two file drawers or two box drawers and one file drawer.
- File drawers accommodate letter or legal size hanging file folders.

Model No.	Description	Dimensions	Wt.	List Price
PFF19	File/File for Credenza/Return	15"W x 19"D x 27 3/4"H	67#	\$598
PBBF19	Box/Box/File for Credenza/Return	15"W x 19"D x 27 3/4"H	70#	\$598
PBBFT19	Box/Box/File w/Casters & Finished Top	15"W x 19"D x 29"H	80#	\$711

## PEDESTAL FILES FOR DESK – 30"



PFF22



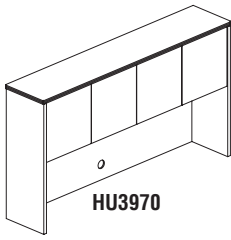
PBBF22

- Drawer interiors are finished to match exterior veneer.
- Drawers operate smoothly using full-extension ball-bearing suspensions. Gang-lock features removable core.
- Choice of two styles featuring two file drawers or two box drawers and one file drawer.
- File drawers accommodate letter or legal size hanging file folders.
- Designed for use under 30" desk or return.

Model No.	Description	Dimensions	Wt.	List Price
PFF22	File/File for 30" Desk	15"W x 22"D x 27 3/4"H	75#	\$652
PBBF22	Box/Box/File for 30" Desk	15"W x 22"D x 27 3/4"H	78#	\$652

## LUMINARY SERIES

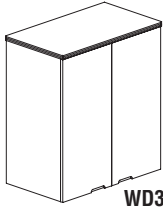
### HUTCHES



- Features four cabinet styled doors with self-closing hinges.
- Back panel features lower and upper cable grommets.
- 20 1/2" clearance between work surfaces and storage bin.

Model No.	Description	Dimensions	Wt.	List Price
HU3970	70" Hutch	70"W x 14"D x 39"H	142#	\$931

### WARDROBE UNIT

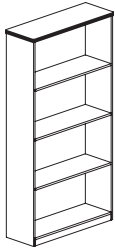


- Mounts on top of Luminary Freestanding Lateral File.
- Two adjustable shelves and hanging rod.

Model No.	Description	Dimensions	Wt.	List Price
WD3620*	Wardrobe	34 5/8"W x 20"D x 38"H	168#	\$1554

\*Note: Limited quantities available.

### BOOKCASES

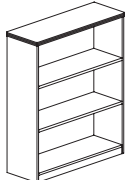


BC3668

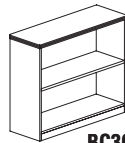
- Open shelves for convenient storage.
- Adjustable shelves.
- Choice of two, three or four shelf units.
- All adjustable shelves are 1" thick.

Model No.	Description	Dimensions	Wt.	List Price
BC3629	29"H Bookcase	34 5/8"W x 12"D x 29"H	60#	\$555
BC3642*	42"H Bookcase	34 5/8"W x 12"D x 42"H	78#	\$692
BC3668	68"H Bookcase	34 5/8"W x 12"D x 68"H	109#	\$963

\*Note: Limited quantities available and in Maple only.



BC3642

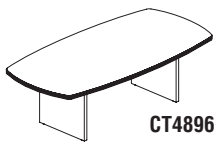


BC3629

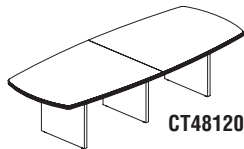
## LUMINARY SERIES

## CONFERENCE TABLES

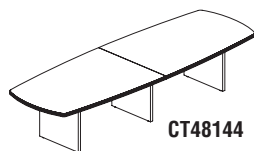
- Conference tables are available in 4 sizes.



CT4896



CT48120



CT48144



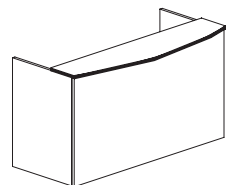
RT36

Model No.	Description	Dimensions	Wt.	List Price
CT3672	Convex Conference Table	72"W x 36"D x 29"H	155#	\$1531
CT4896	Convex Conference Table	96"W x 48"D x 29"H	305#	\$1947
CT48120	Convex Conference Table	120"W x 48"D x 29"H	320#	\$2379
CT48144	Convex Conference Table	144"W x 48"D x 29"H	349#	\$2849
RT36	Round Table	36"Round x 29"H	68#	\$743
RT42	Round Table	42"Round x 29"H	82#	\$775

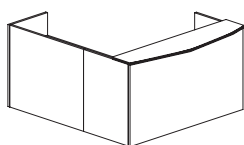
## RECEPTION STATION

**Surfaces:** Cherry finish on Cherry veneer or Maple finish on Maple veneer.

- All Luminary Reception Stations (except RS7278D) include a center drawer.
- Non-handed returns.
- Available in two colors.
- Configured as either a freestanding double-pedestal desk station, or complete with non-handed return.
- Optional glass counter top is available.



RS7278D



RSRBB

Model No.	Description	Dimensions	Wt.	List Price
RS7278D	Reception Station (no peds)	72"W x 36"D x 43 1/4"H	360#	\$2824
RRT2448	Reception Station Return	48"W x 24"D x 42"H	145#	\$1062
RSBB	Reception Station with 2 - B/B/F	72"W x 36"D x 43 1/4"H	559#	\$4231
RSBF	Reception Station with B/B/F, F/F	72"W x 36"D x 43 1/4"H	553#	\$4231
RSRBB	Reception Station with return, 2 - B/B/F	72"W x 36"D x 43 1/4"H Desk 48"W x 24"D x 42"H Return	687#	\$5293
RSRBF	Reception Station with return, B/B/F, F/F	72"W x 36"D x 43 1/4"H Desk 48"W x 24"D x 42"H Return	684#	\$5293
RSTGLASS	Optional Frosted Glass Counter Top	72"W x 18"D x 1/2"H	60#	\$536
RTA2436	ADA Reception Return	36"W x 24"D x 29"H	62#	\$530

## OCCASIONAL TABLES

- Table surfaces offered in a choice of Maple finish on Maple Veneer or Cherry finish on Cherry Veneer.

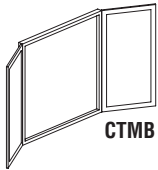


OT2424

Model No.	Description	Dimensions	Wt.	List Price
OT2424	End Table	24"W x 24"D x 20"H	23#	\$594

## LUMINARY ACCESSORIES

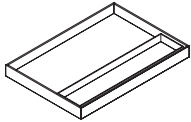
### PRESENTATION BOARD



- Tackable Black fabric surface on interior side of doors. Eraser and markers not included.

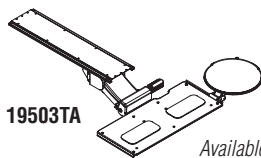
Model No.	Description	Dimensions	Wt.	List Price
CTMB	Presentation Board	48"W x 3"D x 48"H	82#	\$1411

### CENTER DRAWER



Model No.	Description	Dimensions	Wt.	List Price
CD1	Center Drawer	23"W x 16"D x 2"H	9#	\$103

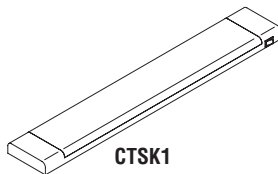
### KEYBOARD SUPPORTS



Model No.	Description	Wt.	List Price
19503TA	Combination keyboard/mouse platform 19"W x 8 1/4"D, 9" Dia. mouse platform	15#	\$545

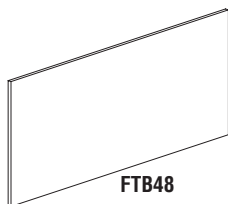
Available in Black Only.

### OPTIONAL HUTCH TASKLIGHT



Model No.	Description	Dimensions	Wt.	List Price
CTSK1	Tasklight	25"W x 4"D x 1"H	5#	\$138

### FABRIC TACK BOARD



- Stocked in MIR1454 Birch fabric.
- Other fabrics available as a special order; special orders sold in pairs only.

Model No.	Dimensions	Wt.	List Price
FTB36	36"W x 21 1/2"H	6#	\$381
FTB48	48"W x 21 1/2"H	8#	\$462
FTB68	68"W x 21 1/2"H	12#	\$513

### HANDLES

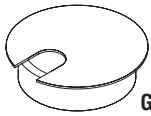
- Optional black handles are available. To order black handles, add the letter "B" to the end of the model number.

Model No.	Description	Dimensions	Wt.	List Price
CP3	Brushed Chrome	3"	1#	\$18
CP6	Brushed Chrome	6"	1#	\$18
WP4	Brushed Chrome	4"	1#	\$18



## LUMINARY ACCESSORIES

## GROMMET

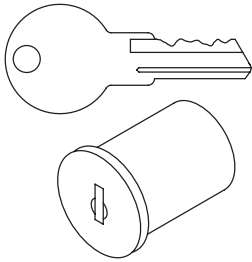


Grommet

Model No.	Description	Dimensions	Wt.	List Price
Grommet	Grommet	2 1/4" Diameter	1#	\$6

## REPLACEMENT LOCK CORES

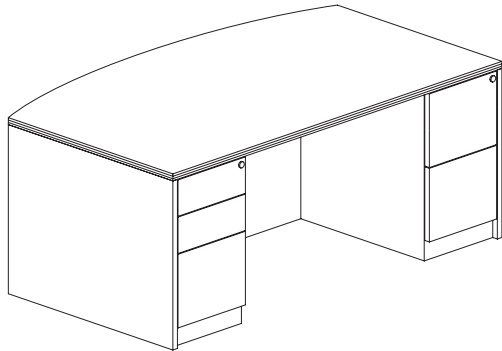
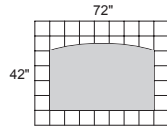
- Allows pedestals and laterals to be keyed uniquely.
- Master key available.
- Must purchase a core removal tool to change locks cores.



REALCC0100

Model No.	Description	Wt.	List Price
REALCC0100	Replacement core with keys	1#	\$20
REALCC0101	Replacement core with keys	1#	\$20
REALCC0102	Replacement core with keys	1#	\$20
REALCC0103	Replacement core with keys	1#	\$20
REALCC0104	Replacement core with keys	1#	\$20
REALCC0105	Replacement core with keys	1#	\$20
REALCC0106	Replacement core with keys	1#	\$20
REALCC0107	Replacement core with keys	1#	\$20
REALCC0108	Replacement core with keys	1#	\$20
REALCC0109	Replacement core with keys	1#	\$20
REALCC0110	Replacement core with keys	1#	\$20
REALCC0111	Replacement core with keys	1#	\$20
REALCC0112	Replacement core with keys	1#	\$20
REALCC0113	Replacement core with keys	1#	\$20
REALCC0114	Replacement core with keys	1#	\$20
REALCCRC	Core removal tool	1#	\$20
REALCCMK	Master Key	1#	\$20

# LUMINARY SERIES TYPICALS



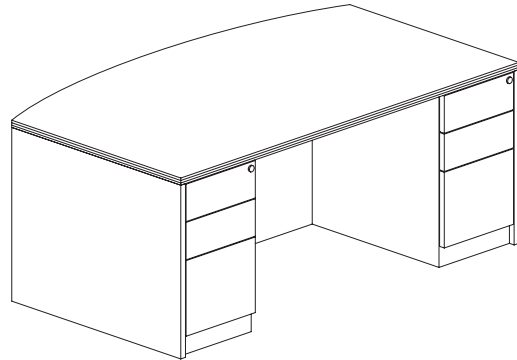
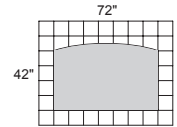
**LUMINARY SERIES TYPICAL #3**

Consists of:

QTY.	MODEL NO.	DESCRIPTION	LIST PRICE EACH
1	DK3672	Desk Shell	\$1261
1	PBBF22	Pedestal BBF	\$652
1	PFF22	Pedestal FF	\$652

**SUITE DPK3672**

**TOTAL: \$2565**



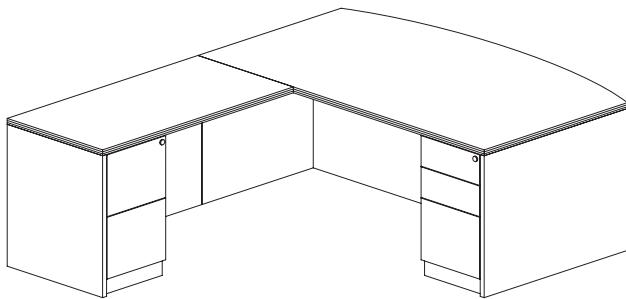
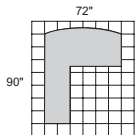
**LUMINARY SERIES TYPICAL #4**

Consists of:

QTY.	MODEL NO.	DESCRIPTION	LIST PRICE EACH
1	DK3672	Desk Shell	\$1261
2	PBBF22	Pedestal BBF	\$652

**SUITE DBDK3672**

**TOTAL: \$2565**



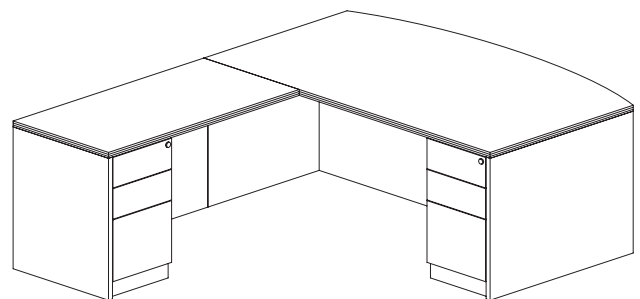
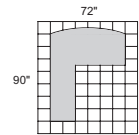
**LUMINARY SERIES TYPICAL #5**

Consists of:

QTY.	MODEL NO.	DESCRIPTION	LIST PRICE EACH
1	DK3672	Desk Shell	\$1261
1	RT2448	Return	\$527
1	PBBF22	Pedestal BBF	\$652
1	PFF22	Pedestal FF	\$652

**SUITE EL5**

**TOTAL: \$3092**



**LUMINARY SERIES TYPICAL #6**

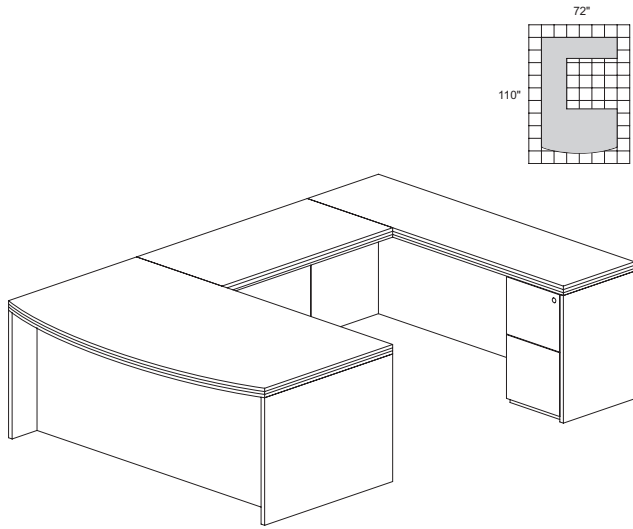
Consists of:

QTY.	MODEL NO.	DESCRIPTION	LIST PRICE EACH
1	DK3672	Desk Shell	\$1261
1	RT2448	Return	\$527
2	PBBF22	Pedestal BBF	\$652

**SUITE ELB5**

**TOTAL: \$3092**

**LUMINARY SERIES TYPICALS**



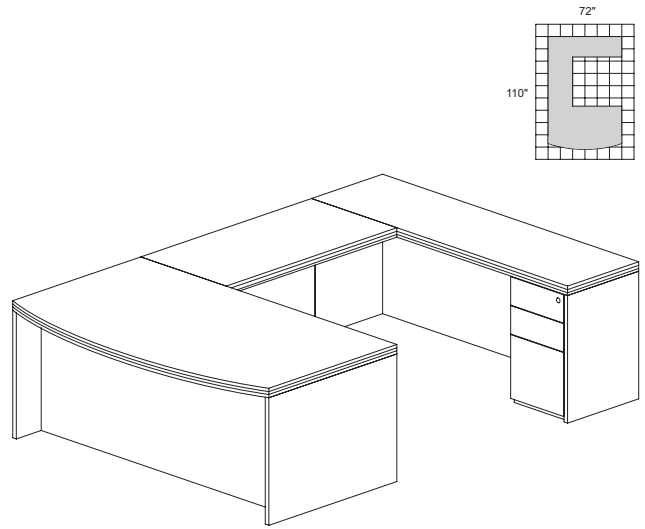
**LUMINARY SERIES TYPICAL #7**

Consists of:

QTY.	MODEL NO.	DESCRIPTION	LIST PRICE EACH
1	DK3672	Desk Shell	\$1261
1	CR2072	Credenza Shell	\$701
1	BR2448	Bridge	\$398
1	PBBF22	Pedestal BBF	\$652
1	PFF19	Pedestal FF	\$598

**SUITE EU3**

**TOTAL: \$3610**



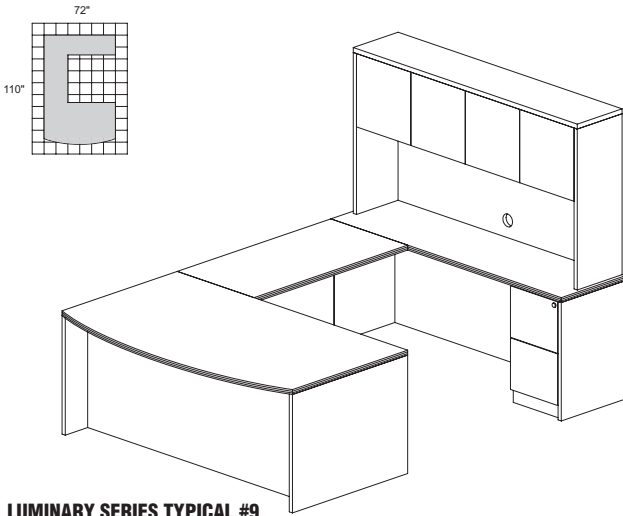
**LUMINARY SERIES TYPICAL #8**

Consists of:

QTY.	MODEL NO.	DESCRIPTION	LIST PRICE EACH
1	DK3672	Desk Shell	\$1261
1	CR2072	Credenza Shell	\$701
1	BR2448	Bridge	\$398
1	PBBF22	Pedestal BBF	\$652
1	PBBF19	Pedestal BBF	\$598

**SUITE EUB3**

**TOTAL: \$3610**



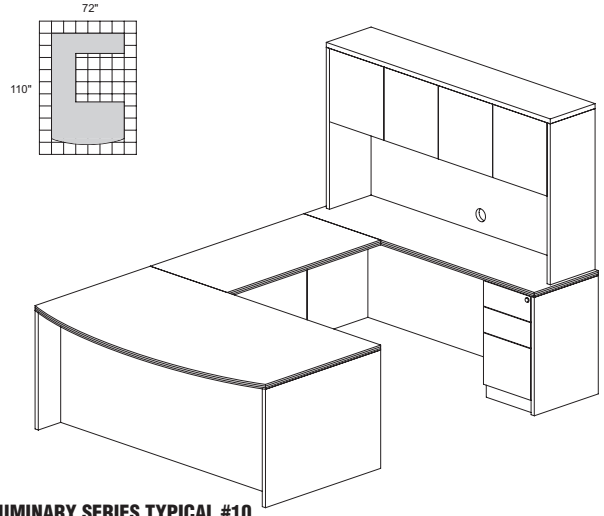
**LUMINARY SERIES TYPICAL #9**

Consists of:

QTY.	MODEL NO.	DESCRIPTION	LIST PRICE EACH
1	DK3672	Desk Shell	\$1261
1	CR2072	Credenza Shell	\$701
1	HU3970	Hutch	\$931
1	BR2448	Bridge	\$398
1	PBBF22	Pedestal BBF	\$652
1	PFF19	Pedestal FF	\$598

**SUITE EU1**

**TOTAL: \$4541**



**LUMINARY SERIES TYPICAL #10**

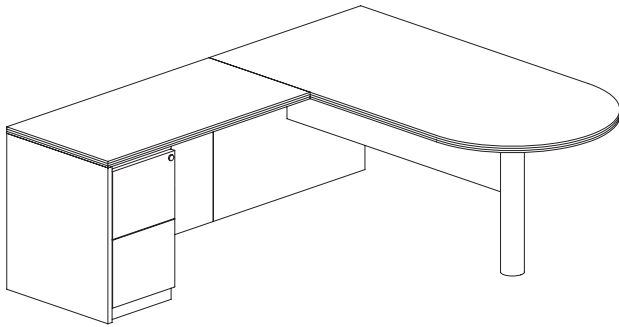
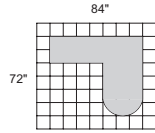
Consists of:

QTY.	MODEL NO.	DESCRIPTION	LIST PRICE EACH
1	DK3672	Desk Shell	\$1261
1	CR2072	Credenza Shell	\$701
1	HU3970	Hutch	\$931
1	BR2448	Bridge	\$398
1	PBBF22	Pedestal BBF	\$652
1	PBBF19	Pedestal BBF	\$598

**SUITE EUB1**

**TOTAL: \$4541**

**LUMINARY SERIES TYPICALS**



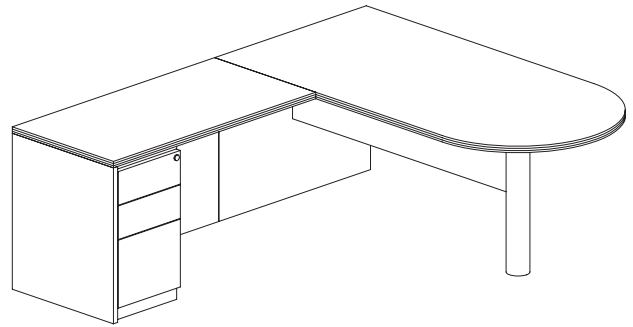
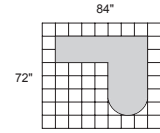
**LUMINARY SERIES TYPICAL #11**

Consists of:

QTY.	MODEL NO.	DESCRIPTION	LIST PRICE EACH
1	PT3672	Peninsula Table	\$1032
1	RT2448	Return	\$527
1	PFF22	Pedestal FF	\$652

**SUITE EL6**

**TOTAL: \$2211**



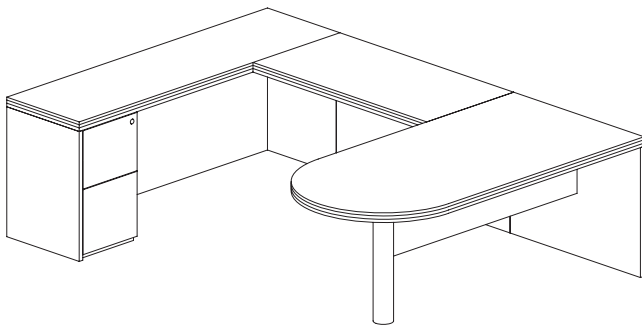
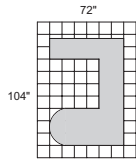
**LUMINARY SERIES TYPICAL #12**

Consists of:

QTY.	MODEL NO.	DESCRIPTION	LIST PRICE EACH
1	PT3672	Peninsula Table	\$1032
1	RT2448	Return	\$527
1	PBBF22	Pedestal BBF	\$652

**SUITE ELB6**

**TOTAL: \$2211**



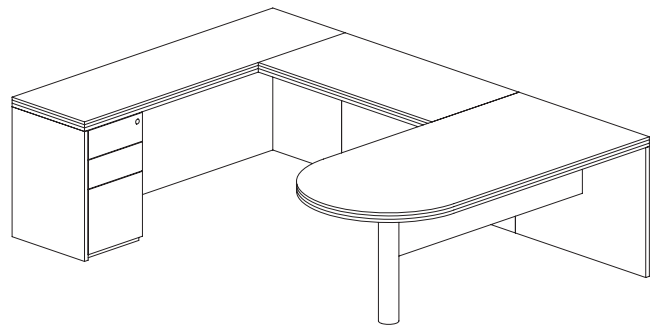
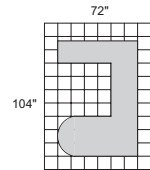
**LUMINARY SERIES TYPICAL #13**

Consists of:

QTY.	MODEL NO.	DESCRIPTION	LIST PRICE EACH
1	PT3672	Peninsula	\$1032
1	CR2072	Credenza Shell	\$701
1	BR2448	Bridge	\$398
1	PFF19	Pedestal FF	\$598

**SUITE EU4**

**TOTAL: \$2729**



**LUMINARY SERIES TYPICAL #14**

Consists of:

QTY.	MODEL NO.	DESCRIPTION	LIST PRICE EACH
1	PT3672	Peninsula Table	\$1032
1	CR2072	Credenza Shell	\$701
1	BR2448	Bridge	\$398
1	PBBF19	Pedestal BBF	\$598

**SUITE EUB4**

**TOTAL: \$2729**

DESKING

CASEGOODS

CONFERENCE & TRAINING TABLES

SEATING

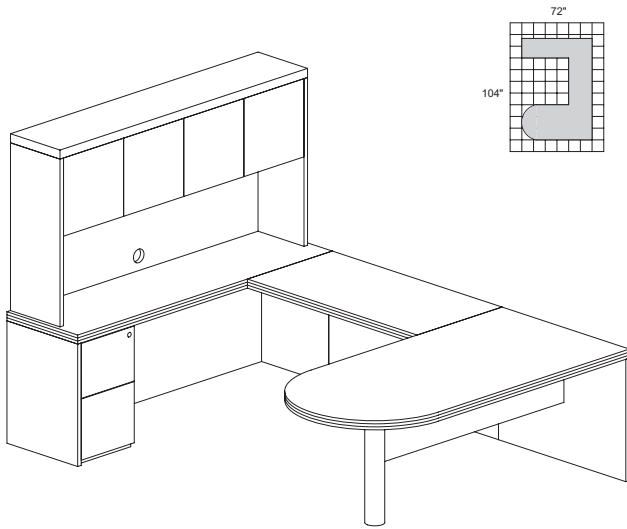
STORAGE & FILING

SPECIALTY SOLUTIONS

COM FORMS

PRODUCT INDEX

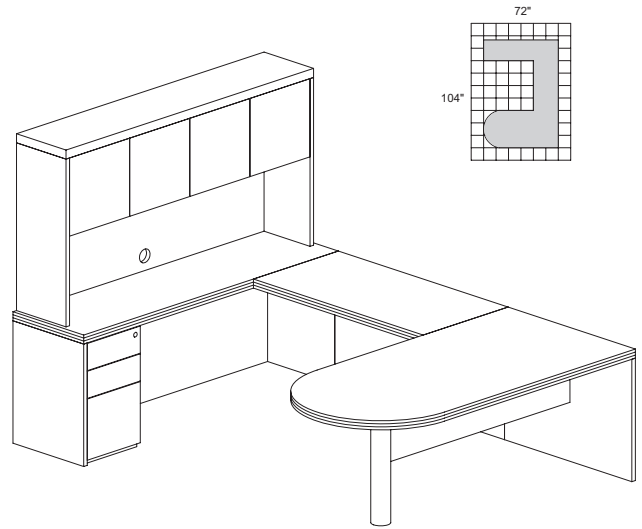
**LUMINARY SERIES TYPICALS**



**LUMINARY SERIES TYPICAL #15**

Consists of:			
QTY.	MODEL NO.	DESCRIPTION	LIST PRICE EACH
1	PT3672	Peninsula Table	\$1032
1	CR2072	Credenza Shell	\$701
1	HU3970	Hutch	\$931
1	BR2448	Bridge	\$398
1	PFF19	Pedestal FF	\$598

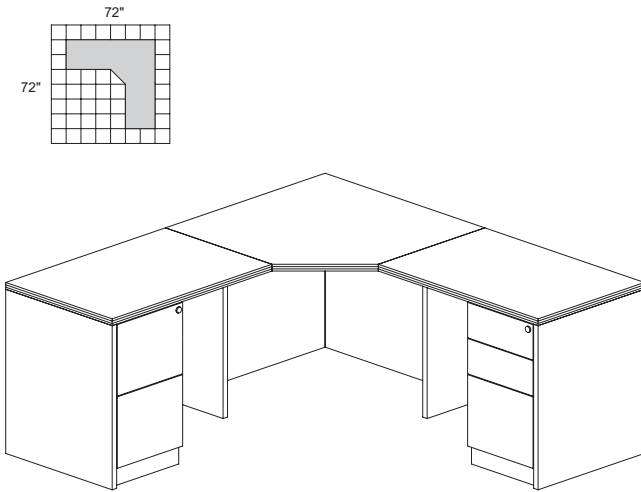
**SUITE EU2 TOTAL: \$3660**



**LUMINARY SERIES TYPICAL #16**

Consists of:			
QTY.	MODEL NO.	DESCRIPTION	LIST PRICE EACH
1	PT3672	Peninsula Table	\$1032
1	CR2072	Credenza Shell	\$701
1	HU3970	Hutch	\$931
1	BR2448	Bridge	\$398
1	PBBF19	Pedestal BBF	\$598

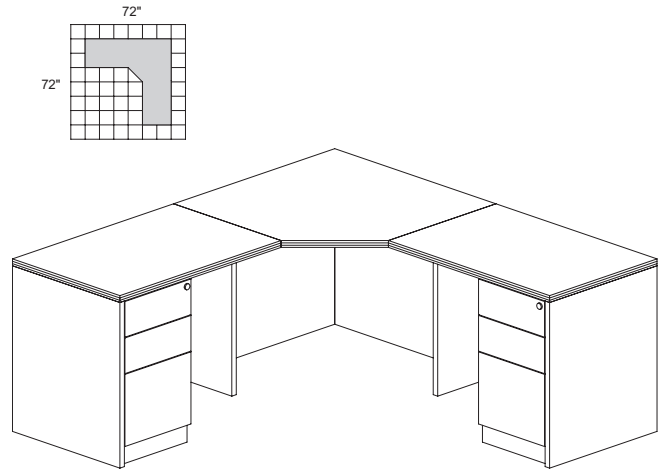
**SUITE EUB2 TOTAL: \$3660**



**LUMINARY SERIES TYPICAL #29**

Consists of:			
QTY.	MODEL NO.	DESCRIPTION	LIST PRICE EACH
1	CU243636	Corner Table	\$677
1	RT2436	Return	\$517
1	RT2436	Return	\$517
1	PBBF22	Pedestal BBF	\$652
1	PFF22	Pedestal FF	\$652

**SUITE CU7 TOTAL: \$3015**

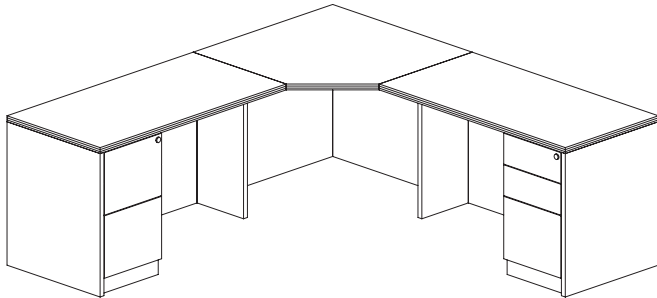
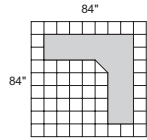


**LUMINARY SERIES TYPICAL #30**

Consists of:			
QTY.	MODEL NO.	DESCRIPTION	LIST PRICE EACH
1	CU243636	Corner Table	\$677
1	RT2436	Return	\$517
1	RT2436	Return	\$517
1	PBBF22	Pedestal BBF	\$652
1	PBBF22	Pedestal BBF	\$652

**SUITE CUB7 TOTAL: \$3015**

**LUMINARY SERIES TYPICALS**



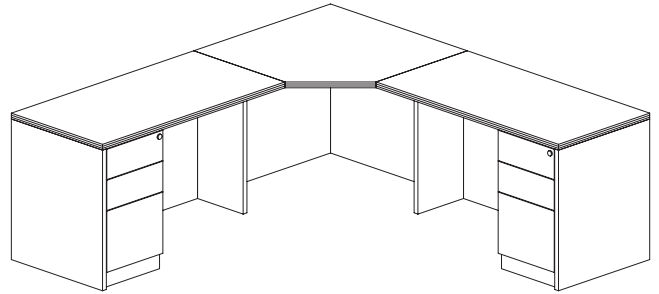
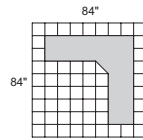
**LUMINARY SERIES TYPICAL #31**

Consists of:

QTY.	MODEL NO.	DESCRIPTION	LIST PRICE EACH
1	CU243636	Corner Table	\$677
1	RT2448	Return	\$527
1	RT2448	Return	\$527
1	PBBF22	Pedestal BBF	\$652
1	PFF22	Pedestal FF	\$652

**SUITE CU6**

**TOTAL: \$3035**



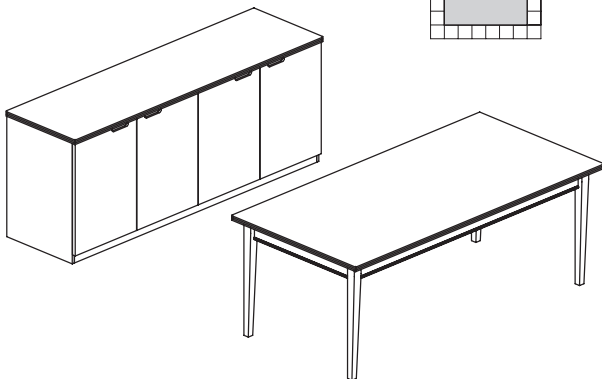
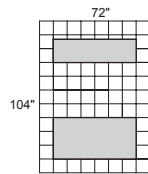
**LUMINARY SERIES TYPICAL #32**

Consists of:

QTY.	MODEL NO.	DESCRIPTION	LIST PRICE EACH
1	CU243636	Corner Table	\$677
1	RT2448	Return	\$527
1	RT2448	Return	\$527
1	PBBF22	Pedestal BBF	\$652
1	PBBF22	Pedestal BBF	\$652

**SUITE CUB6**

**TOTAL: \$3035**



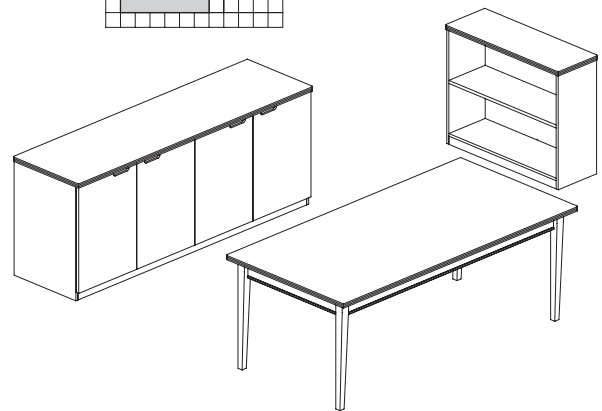
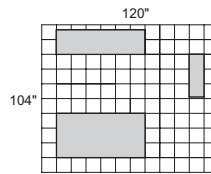
**LUMINARY SERIES TYPICAL #33**

Consists of:

QTY.	MODEL NO.	DESCRIPTION	LIST PRICE EACH
1	LTD72	Table Desk	\$1192
1	HDC2072	4-Door Hinged Credenza	\$1754

**SUITE LUM12**

**TOTAL: \$2946**



**LUMINARY SERIES TYPICAL #34**

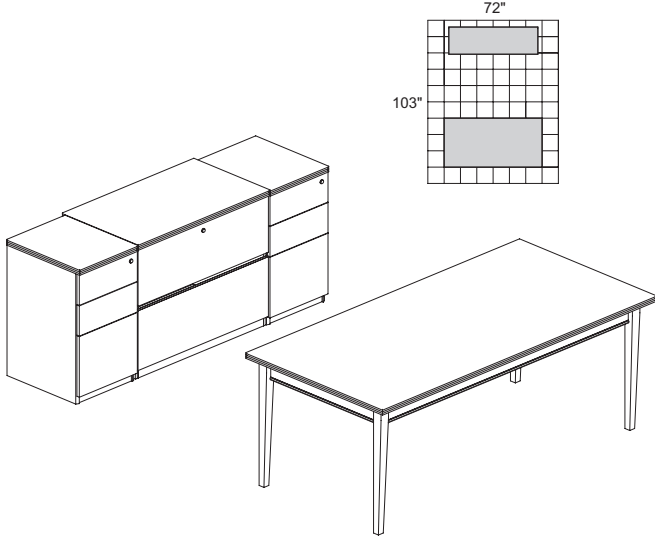
Consists of:

QTY.	MODEL NO.	DESCRIPTION	LIST PRICE EACH
1	LTD72	Table Desk	\$1192
1	HDC2072	4-Door Hinged Credenza	\$1754
1	BC3629	Bookcase 2 Shelf	\$555

**SUITE LUM13**

**TOTAL: \$3501**

**LUMINARY SERIES TYPICALS**



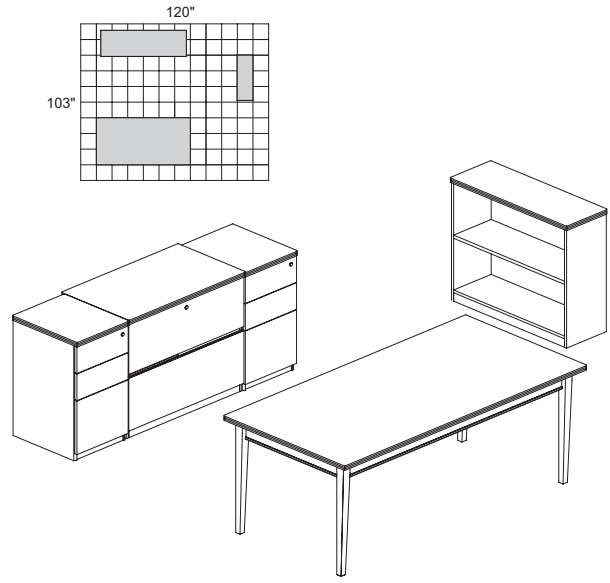
**LUMINARY SERIES TYPICAL #35**

Consists of:

QTY.	MODEL NO.	DESCRIPTION	LIST PRICE EACH
1	LTD72	Table Desk	\$1192
2	PBBFT19	Pedestal 19 with Top BBF	\$711
1	LF23620	2-Drawer Lateral File	\$1162

**SUITE LUM14**

**TOTAL: \$3776**



**LUMINARY SERIES TYPICAL #36**

Consists of:

QTY.	MODEL NO.	DESCRIPTION	LIST PRICE EACH
1	LTD72	Table Desk	\$1192
2	PBBFT19	Pedestal 19 with Top BBF	\$711
1	LF23620	2-Drawer Lateral File	\$1162
1	BC3629	Bookcase 2 Shelf	\$555

**SUITE LUM15**

**TOTAL: \$4331**



# MIRA SERIES



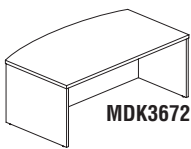
## MIRA SERIES

Mira's simple curves create an elegant setting for any work environment. The finest quality workmanship, in-stock availability and affordability make it a very popular series.

**Surface:** Mira is available in a Medium Cherry finish on Cherry veneer or an Espresso finish on Walnut veneer.

- Modular and non-handed construction for flexibility and versatility.
- Full peds available in both BBF and FF. Available in 22" and 28" depths.
- Full extension ball bearing suspension provides quiet drawer operation.
- Central locking on all drawers with random or key alike options.
- Veneers are book matched and highlight the natural beauty of the Cherry grain.
- All floor supported units have adjustable glides for leveling on uneven floors.
- Desk, credenza, return and conference tops are 1 1/2" thick with flat, hardwood edge.
- All models in all finishes are available on both the Kwik-Ship and Fast Freight delivery programs with no quantity limitations.

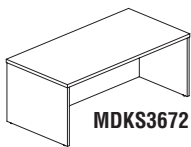
## BOW FRONT DESK



- Features bow front surface.
- Full height modesty panels.

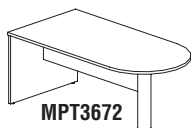
Model No.	Description	Dimensions	Wt.	List Price
MDK3066	66" Bow Front Desk	66"W x 36"D x 29 3/8"H	139#	\$1300
MDK3672	72" Bow Front Desk	72"W x 42"D x 29 3/8"H	188#	\$1452

## STRAIGHT FRONT DESK



Model No.	Description	Dimensions	Wt.	List Price
MDKS3066	66" Straight Front Desk	66"W x 30"D x 29 3/8"H	139#	\$1285
MDKS3672	72" Straight Front Desk	72"W x 36"D x 29 3/8"H	188#	\$1438

## PENINSULA DESK



- Modesty panel is 14 1/2"H.
- Free standing.

Model No.	Description	Dimensions	Wt.	List Price
MPT3672	Return / Bridge Supported	72"W x 36"D x 29 3/8"H	133#	\$1087

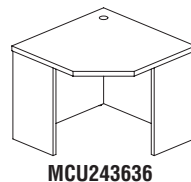
## P-SHAPED DESK



- Conferencing side extension either to right or left.
- Modesty panel is 13 3/4"H.
- Free standing.

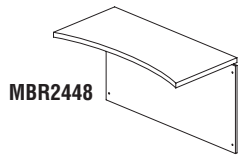
Model No.	Description	Dimensions	Wt.	List Price
MPCTR4272	Right P-Shaped Desk	72"W x 36 / 42"D x 29 3/8"H	128#	\$1366
MPCTL4272	Left P-Shaped Desk	72"W x 36 / 42"D x 29 3/8"H	128#	\$1366

## CORNER TABLE



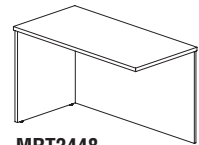
- Full height modesty panel.
- Grommet in top surface standard.
- One grommet located in each leg.

Model No.	Description	Dimensions	Wt.	List Price
MCU243636	Corner Table	36"W x 24"D x 29 3/8"H	131#	\$727

**MIRA SERIES****BRIDGE****MBR2448**

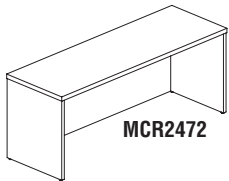
- Universal mounting to right or left side of desk.
- Not free standing. Requires connection to desk and credenza.
- Includes full-height modesty panel.

Model No.	Description	Dimensions	Wt.	List Price
<b>MBR2442</b>	Bridge (Non-Handed)	42"W x 24"D x 29 3/8"H	53#	\$434
<b>MBR2448</b>	Bridge (Non-Handed)	48"W x 24"D x 29 3/8"H	62#	\$465

**RETURN****MRT2448**

- Choose from Left-Hand or Right-Hand model.
- Features end panel with flat edge.
- Includes full-height modesty panel.

Model No.	Description	Dimensions	Wt.	List Price
<b>MRT2436</b>	Return (Non-Handed)	36"W x 24"D x 29 3/8"H	62#	\$552
<b>MRT2448</b>	Return (Non-Handed)	48"W x 24"D x 29 3/8"H	78#	\$594

**CREDENZA****MCR2472**

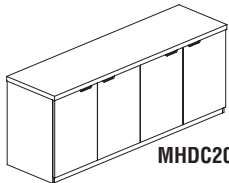
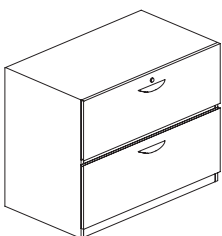
- Full-height modesty panel.
- Flat edge matching desk detailing.

Model No.	Description	Dimensions	Wt.	List Price
<b>MCR2466</b>	66" Credenza	66"W x 24"D x 29 3/8"H	115#	\$892
<b>MCR2472</b>	72" Credenza	72"W x 24"D x 29 3/8"H	122#	\$911

**HINGED DOOR CREDENZA****MHDC3620**

- Interior finished to match exterior veneer.
- Gang-lock (MHDC3620 only) features removable core enabling keyed-alike suites.
- One adjustable shelf.

Model No.	Description	Dimensions	Wt.	List Price
<b>MHDC3620</b>	36" Hinged Door Credenza	36"W x 20"D x 29 3/8"H	100#	\$1142
<b>MHDC2072</b>	72" Hinged Door Credenza	72"W x 20"D x 29 3/8"H	192#	\$1961

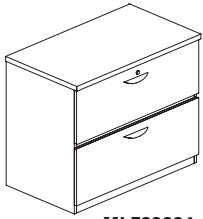
**MHDC2072****LATERAL FILE – 2 DRAWER****MLFU23624**

- Unfinished top. Must be installed under credenza.
- Gang-lock features removable core enabling keyed-alike suites.
- Drawers operate smoothly using full-extension ball-bearing suspensions.
- Includes counter-weight for stability when in use.
- Accommodates letter and legal size hanging file folders.
- Optional top for lateral file available.

Model No.	Description	Dimensions	Wt.	List Price
<b>MLFU23624</b>	Lateral File, Unfinished Top	34 5/8"W x 22"D x 27 3/4"H	113#	\$1302
<b>MLFUT23624</b>	Optional Top		24#	\$278

**MIRA SERIES**

**FREESTANDING LATERAL FILE – 2 DRAWER**

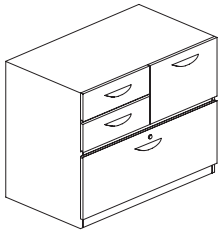


MLF23624

- Gang-lock features removable core enabling keyed-alike suites.
- Drawers operate smoothly using full-extension ball-bearing suspensions.
- Supports wardrobe unit.
- Accommodates letter and legal size hanging file folders.
- Includes counter-weight for stability when in use.

Model No.	Description	Dimensions	Wt.	List Price
MLF23624	Lateral File, Finished Top	34 5/8"W x 24"D x 29 3/8"H	131#	\$1397

**MULTI-PURPOSE STORAGE UNIT**

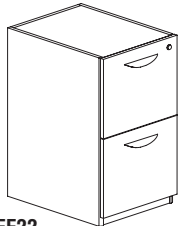


MMPSU1930

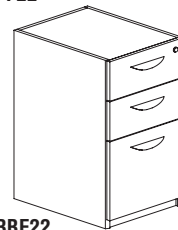
- Unfinished top. Must be installed under credenza.
- Includes counter-weight for stability when in use.
- Bottom level features full size layered file drawer.
- Gang-lock features removable core enabling keyed-alike suites.
- Drawers operate smoothly using full-extension ball-bearing suspensions.
- Drawer interiors finished to match exterior veneer.
- Accommodates letter and legal size hanging file folders.
- Optional top for lateral file available.

Model No.	Description	Dimensions	Wt.	List Price
MMPSU1930	Multi-Purpose Unit, Unfinished Top	30"W x 19"D x 27 3/4"H	128#	\$1579
MMPSUT1930	Optional Top		22#	\$225

**PEDESTAL FILES FOR CREDENZA / RETURN AND 30"D DESKS**



MPFF22

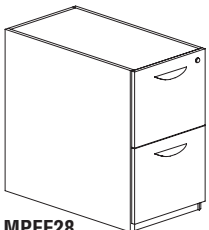


MPBBF22

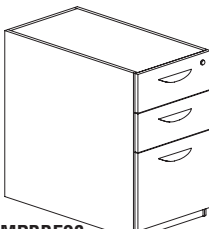
- Drawer interiors are finished to match exterior veneer.
- Drawers operate smoothly using full-extension ball-bearing suspensions. Gang-lock features removable core.
- Choice of two styles featuring two file drawers or two box drawers and one file drawer.
- File drawers accommodate letter or legal size hanging file folders.

Model No.	Description	Dimensions	Wt.	List Price
MPFF22	File/File Pedestal for Credenza/Return	15"W x 22"D x 27 3/4"H	75#	\$699
MPBBF22	Box/Box/File Pedestal for Credenza/Return	15"W x 22"D x 27 3/4"H	78#	\$699

**PEDESTAL FILES FOR DESK – 36"**



MPFF28



MPBBF28

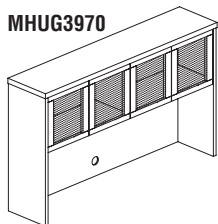
- Drawer interiors are finished to match exterior veneer.
- Drawers operate smoothly using full-extension ball-bearing suspensions. Gang-lock features removable core.
- Choice of two styles featuring two file drawers or two box drawers and one file drawer.
- File drawers accommodate letter or legal size hanging file folders.
- Designed for use under 36" desk.

Model No.	Description	Dimensions	Wt.	List Price
MPFF28	File/File Pedestal for 36" Desk	15"W x 28"D x 27 3/4"H	89#	\$794
MPBBF28	Box/Box/File Pedestal for 36" Desk	15"W x 28"D x 27 3/4"H	95#	\$794

## MIRA SERIES

## HUTCHES

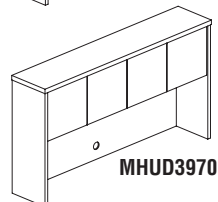
MHUG3970



- Features four cabinet styled doors with self-closing hinges.
- 20 1/2" clearance between work surfaces and storage bin.
- Fully assembled except for doors.

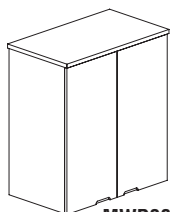
- Back panel features lower and upper cable grommets.
- Optional wood doors available.

Model No.	Description	Dimensions	Wt.	List Price
<b>MHUG3970</b>	70"W Hutch with Glass Doors	70"W x 14"D x 39"H	142#	\$1502
<b>MHUD3970</b>	70"W Hutch with Wood Doors	70"W x 14"D x 39"H	142#	\$1473



MHUD3970

## WARDROBE UNIT

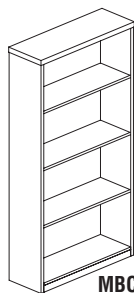


MWD3624

- Mounts on top of Mira Freestanding Lateral File.
- Two adjustable shelves and hanging rod.

Model No.	Description	Dimensions	Wt.	List Price
<b>MWD3624</b>	Wardrobe	34 5/8"W x 24"D x 38"H	168#	\$1598

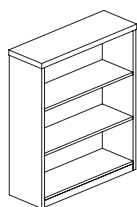
## BOOKCASES



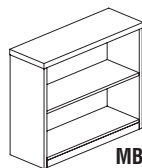
MBC3668

- Open shelves for convenient storage.
- Choice of two, three or four shelf units.
- Adjustable shelves.
- All adjustable shelves are 1" thick.
- 75 lb. capacity per shelf.

Model No.	Description	Dimensions	Wt.	List Price
<b>MBC3629</b>	29"H Bookcase	34 5/8"W x 12"D x 29"H	60#	\$604
<b>MBC3642</b>	42"H Bookcase	34 5/8"W x 12"D x 42"H	78#	\$800
<b>MBC3668</b>	68"H Bookcase	34 5/8"W x 12"D x 68"H	109#	\$1128



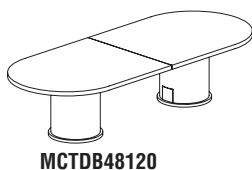
MBC3642



MBC3629

## MIRA SERIES

### CONFERENCE TABLES

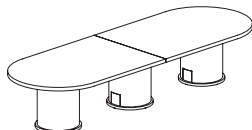


MCTDB48120

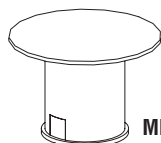
- Conference tables are available in 4 sizes.

- Tops and bases shipped separately.

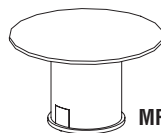
Model No.	Description	Dimensions	Wt.	List Price
MCTDB3672	6' Racetrack Conference Table	72"W x 36"D x 29"H	155#	\$1619
MCTDB4896	8' Racetrack Conference Table	96"W x 48"D x 29"H	305#	\$2443
MCTDB48120	10' Racetrack Conference Table	120"W x 48"D x 29"H	320#	\$3659
MCTDB48144	12' Racetrack Conference Table	144"W x 48"D x 29"H	349#	\$3783
MRTDB42	Round Conference Table	42"Round x 29"H	117#	\$1238
MRTDB48	Round Conference Table	48"Round x 29"H	124#	\$1525



MCTDB48144



MRTDB42

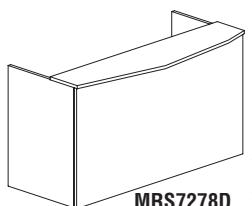


MRTDB48

### RECEPTION STATION

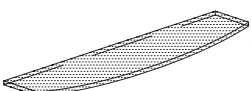
**Surfaces:** Medium Cherry finish on Cherry veneer, or Espresso finish on Walnut veneer.

- All Mira Reception Stations (except MRS7278D) include a center drawer.
- Non-handed returns.
- Configured as either a freestanding double-pedestal desk station, or complete with non-handed return.
- Optional glass counter top is available.



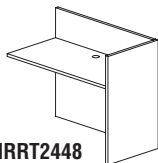
MRS7278D

Model No.	Description	Dimensions	Wt.	List Price
MRS7278D	Reception Station (no peds)	72"W x 36"D x 43 1/2"H	360#	\$3205
MRSBB	Reception Station with 2 - B/B/F	72"W x 36"D x 43 1/2"H	559#	\$4898
MRSBF	Reception Station with B/B/F, F/F	72"W x 36"D x 43 1/2"H	557#	\$4898
MRSRBB	Reception Station with return, 2 - B/B/F	72"W x 36"D x 43 1/2"H Desk 48"W x 24"D x 42"H Return	687#	\$5875
MRSRBF	Reception Station with return, B/B/F, F/F	72"W x 36"D x 43 1/2"H Desk 48"W x 24"D x 42"H Return	684#	\$5875
MRSTGLASS	Optional Frosted Glass Counter Top	72"W x 18"D x 1/2"H	60#	\$542
MRTA2436	ADA Reception Return	36"W x 24"D x 29 3/8"H	68#	\$564



MRSTGLASS

### RECEPTION STATION RETURN



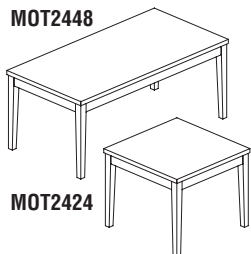
MRRT2448

- Available in Medium Cherry finish on Cherry Veneer, or Espresso finish on Walnut veneer.

Model No.	Description	Dimensions	Wt.	List Price
MRRT2448	Return (Non-Handed)	48"W x 24"D x 42"H	145#	\$1072

### OCCASIONAL TABLES

MOT2448

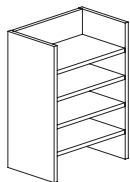


MOT2424

- Table surfaces offered in Medium Cherry finish on Cherry Veneer, or Espresso finish on Walnut veneer.

Model No.	Description	Dimensions	Wt.	List Price
MOT2448	Coffee Table	48"W x 24"D x 16"H	49#	\$762
MOT2424	End Table	24"W x 24"D x 20"H	23#	\$636

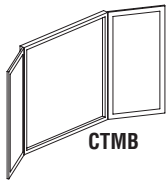
### LETTER TRAY



MLT

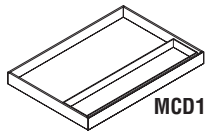
- Optional hutch letter trays are sized to fit into space between doors and work surface.

Model No.	Description	Dimensions	Wt.	List Price
MLT	Letter Tray	17"W x 10"D x 22"H	25#	\$345

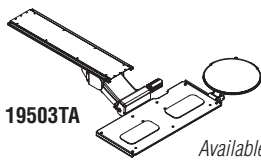
**MIRA ACCESSORIES****PRESENTATION BOARD**

- Tackable fabric surface on interior side of doors. Eraser and markers not included.

Model No.	Description	Dimensions	Wt.	List Price
CTMB	Presentation Board	48"W x 3"D x 48"H	82#	\$1411

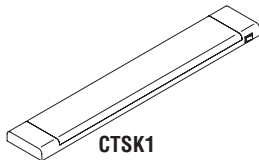
**CENTER DRAWER**

Model No.	Description	Dimensions	Wt.	List Price
MCD1	Center Drawer	23"W x 16"D x 2"H	9#	\$105

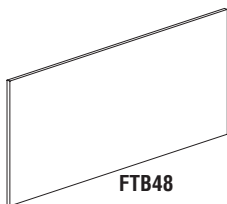
**KEYBOARD SUPPORTS**

*Available in Black Only.*

Model No.	Description	Wt.	List Price
19503TA	Combination keyboard/mouse platform 19"W x 8 1/4"D, 9"Dia. mouse platform	15#	\$545

**OPTIONAL HUTCH TASKLIGHT**

Model No.	Description	Dimensions	Wt.	List Price
CTSK1	Tasklight	25"W x 4"D x 1"H	5#	\$138

**FABRIC TACK BOARD**

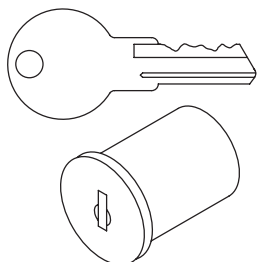
- Stocked in MIR1454 Birch fabric.
- Other fabrics available as a special order, special orders sold in pairs only.

Model No.	Dimensions	Wt.	List Price
FTB36	36"W x 21 1/2"H	6#	\$381
FTB48	48"W x 21 1/2"H	8#	\$462
FTB68	68"W x 21 1/2"H	12#	\$513

**GROMMET**

Model No.	Description	Dimensions	Wt.	List Price
Grommet	Grommet	2 1/4"Diameter	1#	\$6

REPLACEMENT LOCK CORES



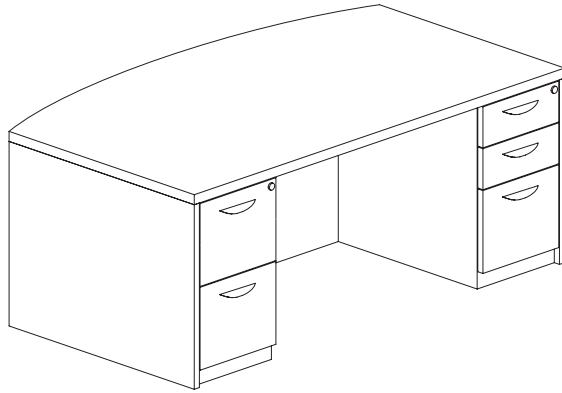
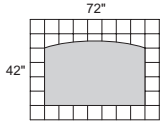
REALCC0100

- Allows pedestals and laterals to be keyed uniquely.
- Master key available.
- Must purchase a core removal tool to change locks cores.

Model No.	Description	Wt.	List Price
REALCC0100	Replacement core with keys	1#	\$20
REALCC0101	Replacement core with keys	1#	\$20
REALCC0102	Replacement core with keys	1#	\$20
REALCC0103	Replacement core with keys	1#	\$20
REALCC0104	Replacement core with keys	1#	\$20
REALCC0105	Replacement core with keys	1#	\$20
REALCC0106	Replacement core with keys	1#	\$20
REALCC0107	Replacement core with keys	1#	\$20
REALCC0108	Replacement core with keys	1#	\$20
REALCC0109	Replacement core with keys	1#	\$20
REALCC0110	Replacement core with keys	1#	\$20
REALCC0111	Replacement core with keys	1#	\$20
REALCC0112	Replacement core with keys	1#	\$20
REALCC0113	Replacement core with keys	1#	\$20
REALCC0114	Replacement core with keys	1#	\$20
REALCCRC	Core removal tool	1#	\$20
REALCCMK	Master Key	1#	\$20



# MIRA SERIES TYPICALS



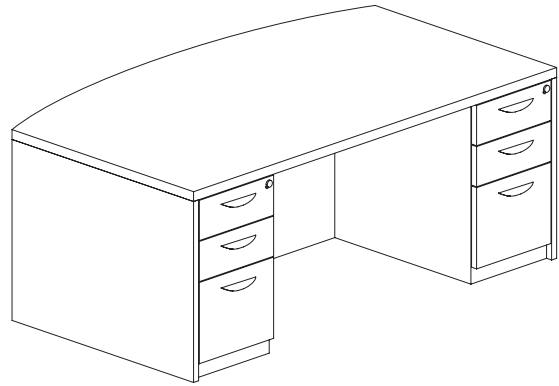
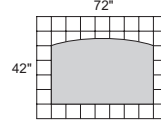
**MIRA SERIES TYPICAL #3**

Consists of:

QTY.	MODEL NO.	DESCRIPTION	LIST PRICE EACH
1	MDK3672	Desk Shell	\$1452
1	MPBBF28	Pedestal BBF	\$794
1	MPFF28	Pedestal FF	\$794

**SUITE MDPDK3672**

**TOTAL: \$3040**



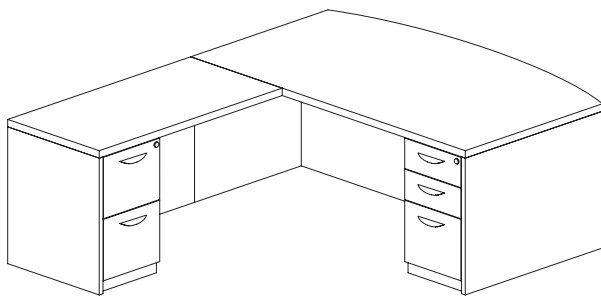
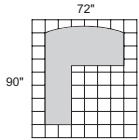
**MIRA SERIES TYPICAL #4**

Consists of:

QTY.	MODEL NO.	DESCRIPTION	LIST PRICE EACH
1	MDK3672	Desk Shell	\$1452
1	MPBBF28	Pedestal BBF	\$794
1	MPBBF28	Pedestal BBF	\$794

**SUITE MDBDK3672**

**TOTAL: \$3040**



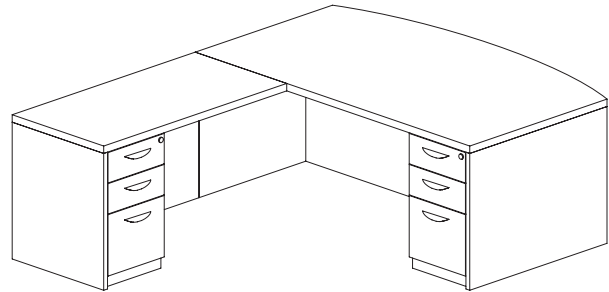
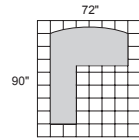
**MIRA SERIES TYPICAL #5**

Consists of:

QTY.	MODEL NO.	DESCRIPTION	LIST PRICE EACH
1	MDK3672	Desk Shell	\$1452
1	MRT2448	Return	\$594
1	MPBBF28	Pedestal BBF	\$794
1	MPFF22	Pedestal FF	\$699

**SUITE MEL5**

**TOTAL: \$3539**



**MIRA SERIES TYPICAL #6**

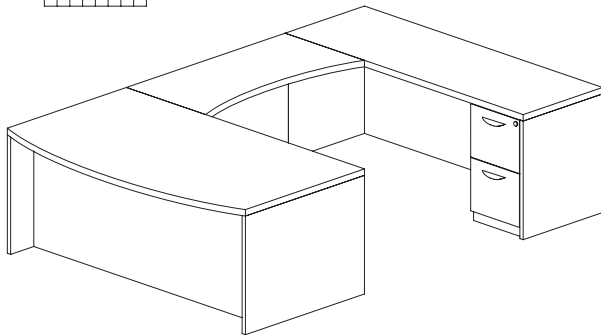
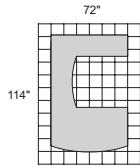
Consists of:

QTY.	MODEL NO.	DESCRIPTION	LIST PRICE EACH
1	MDK3672	Desk Shell	\$1452
1	MRT2448	Return	\$594
1	MPBBF28	Pedestal BBF	\$794
1	MPBBF28	Pedestal BBF	\$699

**SUITE MELB5**

**TOTAL: \$3539**

# MIRA SERIES TYPICALS

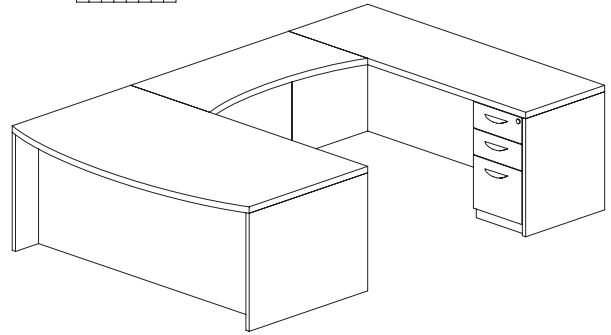
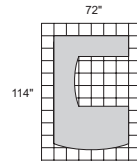


**MIRA SERIES TYPICAL #7**

Consists of:			
QTY.	MODEL NO.	DESCRIPTION	LIST PRICE EACH
1	MDK3672	Desk Shell	\$1452
1	MCR2472	Credenza Shell	\$911
1	MBR2448	Bridge	\$465
1	MPBBF28	Pedestal BBF	\$794
1	MPFF22	Pedestal FF	\$699

**SUITE MEU3**

**TOTAL: \$4321**

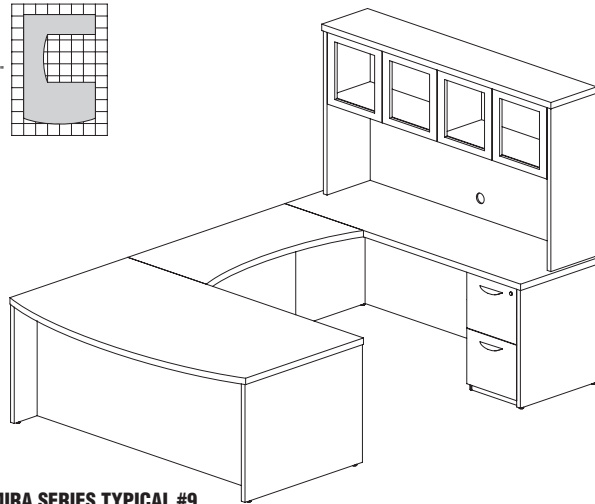
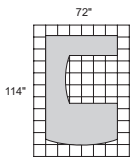


**MIRA SERIES TYPICAL #8**

Consists of:			
QTY.	MODEL NO.	DESCRIPTION	LIST PRICE EACH
1	MDK3672	Desk Shell	\$1452
1	MCR2472	Credenza Shell	\$911
1	MBR2448	Bridge	\$465
1	MPBBF28	Pedestal BBF	\$794
1	MPBBF22	Pedestal BBF	\$699

**SUITE MEUB3**

**TOTAL: \$4321**

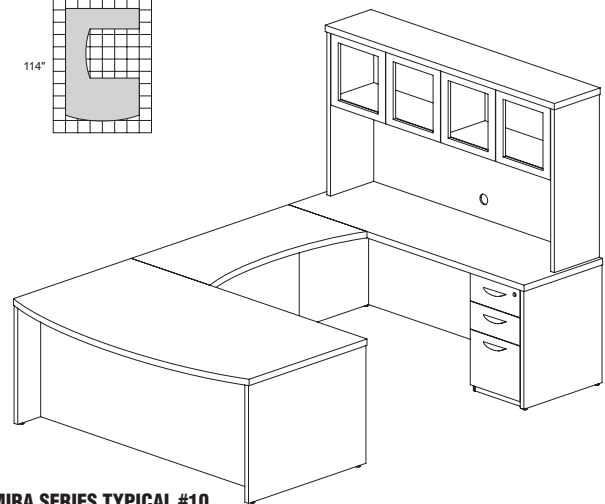
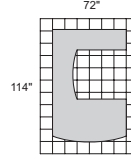


**MIRA SERIES TYPICAL #9**

Consists of:			
QTY.	MODEL NO.	DESCRIPTION	LIST PRICE EACH
1	MDK3672	Desk Shell	\$1452
1	MCR2472	Credenza Shell	\$911
1	MHUG3970	Hutch	\$1502
1	MBR2448	Bridge	\$465
1	MPBBF28	Pedestal BBF	\$794
1	MPFF22	Pedestal FF	\$699

**SUITE MEU1**

**TOTAL: \$5823**



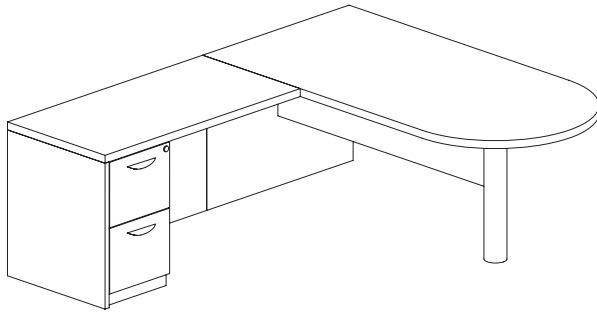
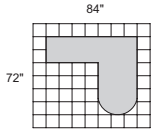
**MIRA SERIES TYPICAL #10**

Consists of:			
QTY.	MODEL NO.	DESCRIPTION	LIST PRICE EACH
1	MDK3672	Desk Shell	\$1452
1	MCR2472	Credenza Shell	\$911
1	MHUG3970	Hutch	\$1502
1	MBR2448	Bridge	\$465
1	MPBBF28	Pedestal BBF	\$794
1	MPBBF22	Pedestal BBF	\$699

**SUITE MEUB1**

**TOTAL: \$5823**

**MIRA SERIES TYPICALS**



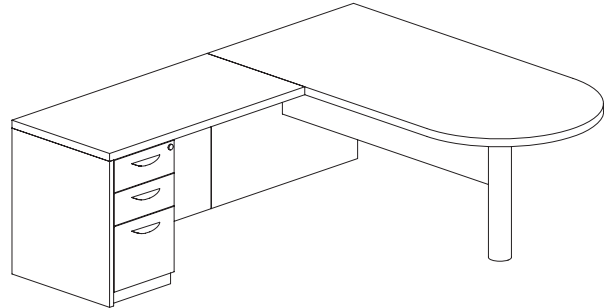
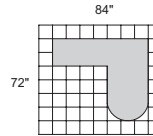
**MIRA SERIES TYPICAL #11**

Consists of:

QTY.	MODEL NO.	DESCRIPTION	LIST PRICE EACH
1	MPT3672	Peninsula Table	\$1087
1	MRT2448	Return	\$594
1	MPFF22	Pedestal FF	\$699

**SUITE MEL6**

**TOTAL: \$2380**



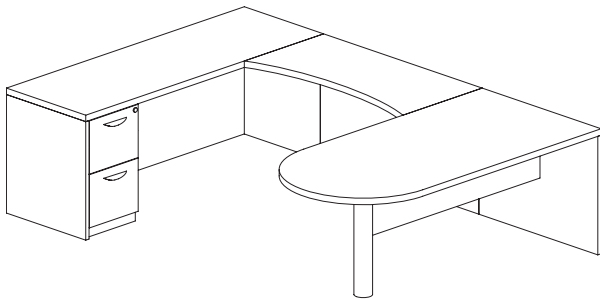
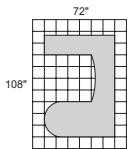
**MIRA SERIES TYPICAL #12**

Consists of:

QTY.	MODEL NO.	DESCRIPTION	LIST PRICE EACH
1	MPT3672	Peninsula Table	\$1087
1	MRT2448	Return	\$594
1	MPBBF22	Pedestal BBF	\$699

**SUITE MELB6**

**TOTAL: \$2380**



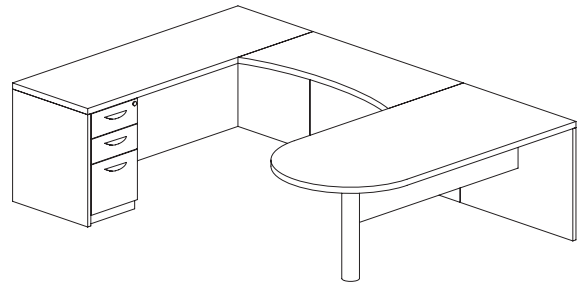
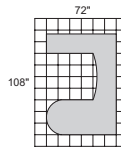
**MIRA SERIES TYPICAL #13**

Consists of:

QTY.	MODEL NO.	DESCRIPTION	LIST PRICE EACH
1	MPT3672	Peninsula Table	\$1087
1	MCR2472	Credenza Shell	\$911
1	MBR2448	Bridge	\$465
1	MPFF22	Pedestal FF	\$699

**SUITE MEU4**

**TOTAL: \$3162**



**MIRA SERIES TYPICAL #14**

Consists of:

QTY.	MODEL NO.	DESCRIPTION	LIST PRICE EACH
1	MPT3672	Peninsula Table	\$1087
1	MCR2472	Credenza Shell	\$911
1	MBR2448	Bridge	\$465
1	MPBBF22	Pedestal BBF	\$699

**SUITE MEUB4**

**TOTAL: \$3162**

**MIRA SERIES TYPICALS**

DESKING

CASEGOODS

CONFERENCE & TRAINING TABLES

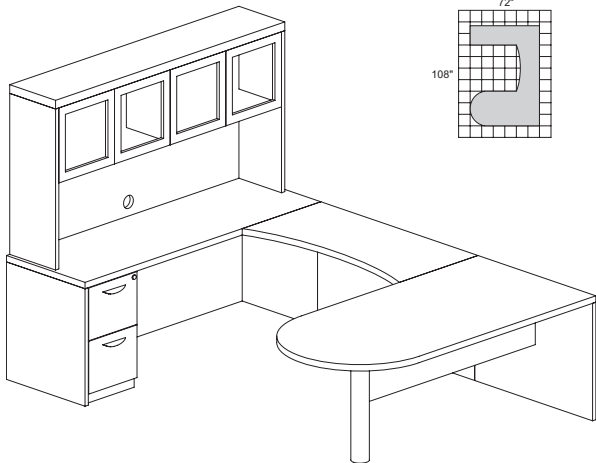
SEATING

STORAGE & FILING

SPECIALTY SOLUTIONS

COM FORMS

PRODUCT INDEX



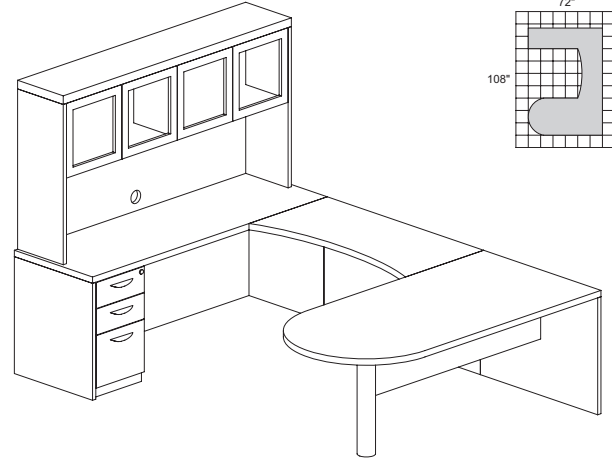
**MIRA SERIES TYPICAL #15**

Consists of:

QTY.	MODEL NO.	DESCRIPTION	LIST PRICE EACH
1	MPT3672	Peninsula Table	\$1087
1	MCR2472	Credenza Shell	\$911
1	MHUG3970	Hutch	\$1502
1	MBR2448	Bridge	\$465
1	MPFF22	Pedestal FF	\$699

**SUITE MEU2**

**TOTAL: \$4664**



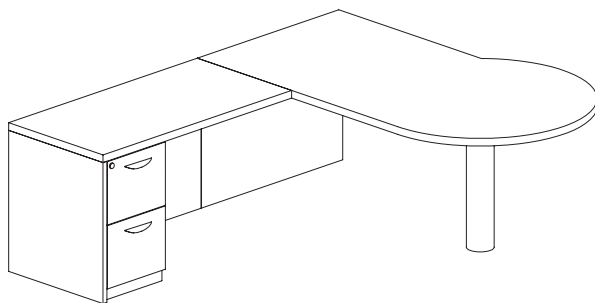
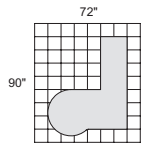
**MIRA SERIES TYPICAL #16**

Consists of:

QTY.	MODEL NO.	DESCRIPTION	LIST PRICE EACH
1	MPT3672	Peninsula Table	\$1087
1	MCR2472	Credenza Shell	\$911
1	MHUG3970	Hutch	\$1502
1	MBR2448	Bridge	\$465
1	MPBBF22	Pedestal BBF	\$699

**SUITE MEUB2**

**TOTAL: \$4664**



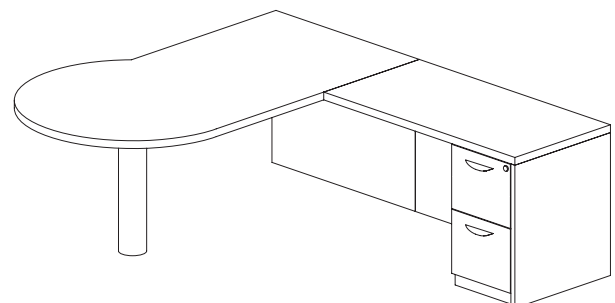
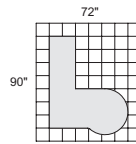
**MIRA SERIES TYPICAL #17**

Consists of:

QTY.	MODEL NO.	DESCRIPTION	LIST PRICE EACH
1	MPCTR4272	P-Top, Right	\$1366
1	MRT2448	Return	\$594
1	MPFF22	Pedestal FF	\$699

**SUITE MEL7R**

**TOTAL: \$2659**



**MIRA SERIES TYPICAL #18**

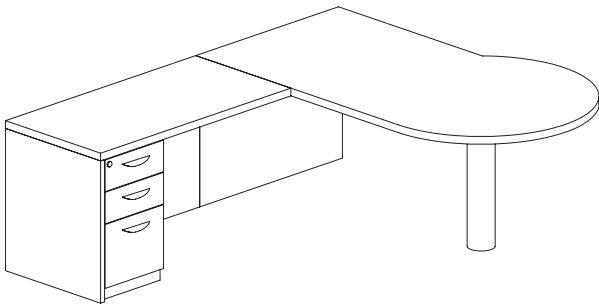
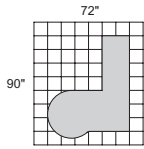
Consists of:

QTY.	MODEL NO.	DESCRIPTION	LIST PRICE EACH
1	MPCTL4272	P-Top, Left	\$1366
1	MRT2448	Return	\$594
1	MPFF22	Pedestal FF	\$699

**SUITE MEL7L**

**TOTAL: \$2659**

## MIRA SERIES TYPICALS

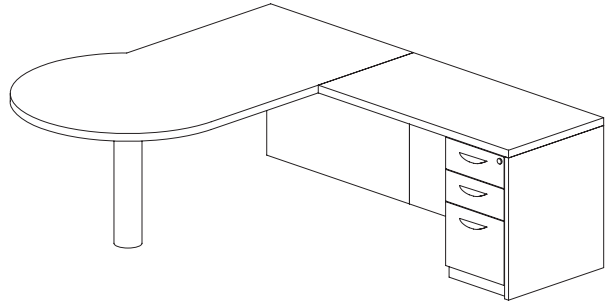
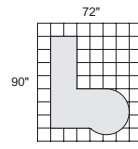


MIRA SERIES TYPICAL #19

## Consists of:

QTY.	MODEL NO.	DESCRIPTION	LIST PRICE EACH
1	MPCTR4272	P-Top, Right	\$1366
1	MRT2448	Return	\$594
1	MPBBF22	Pedestal BBF	\$699

SUITE MELB7R

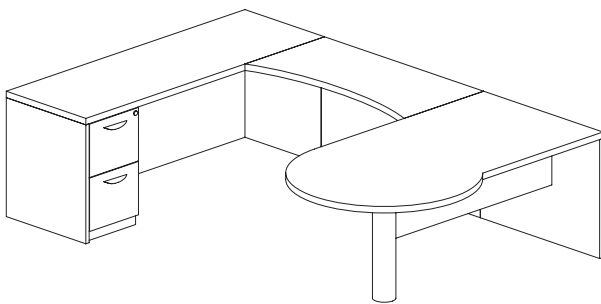
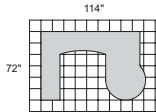
TOTAL: \$2659

MIRA SERIES TYPICAL #20

## Consists of:

QTY.	MODEL NO.	DESCRIPTION	LIST PRICE EACH
1	MPCTL4272	P-Top, Left	\$1366
1	MRT2448	Return	\$594
1	MPBBF22	Pedestal BBF	\$699

SUITE MELB7L

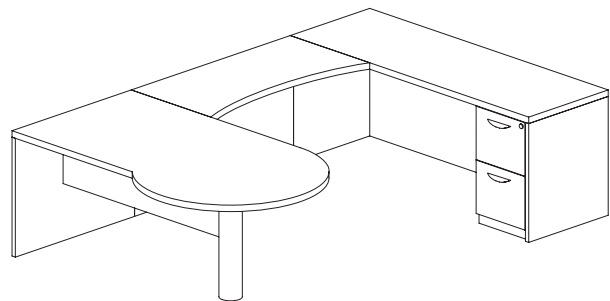
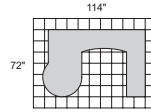
TOTAL: \$2659

MIRA SERIES TYPICAL #21

## Consists of:

QTY.	MODEL NO.	DESCRIPTION	LIST PRICE EACH
1	MPCTR4272	P-Top, Right	\$1366
1	MCR2472	Credenza Shell	\$911
1	MBR2448	Bridge	\$465
1	MPFF22	Pedestal FF	\$699

SUITE MEU6R

TOTAL: \$3441

MIRA SERIES TYPICAL #22

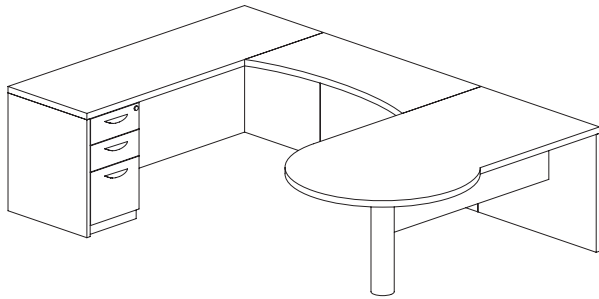
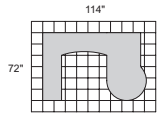
## Consists of:

QTY.	MODEL NO.	DESCRIPTION	LIST PRICE EACH
1	MPCTL4272	P-Top, Left	\$1366
1	MCR2472	Credenza Shell	\$911
1	MBR2448	Bridge	\$465
1	MPFF22	Pedestal FF	\$699

SUITE MEU6L

TOTAL: \$3441

**MIRA SERIES TYPICALS**



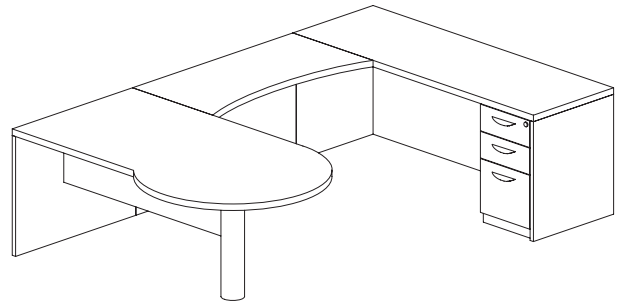
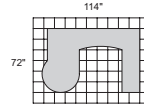
**MIRA SERIES TYPICAL #23**

Consists of:

QTY.	MODEL NO.	DESCRIPTION	LIST PRICE EACH
1	MPCTR4272	P-Top, Right	\$1366
1	MCR2472	Credenza Shell	\$911
1	MBR2448	Bridge	\$465
1	MPBBF22	Pedestal BBF	\$699

**SUITE MEUB6R**

**TOTAL: \$3441**



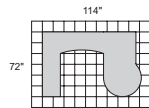
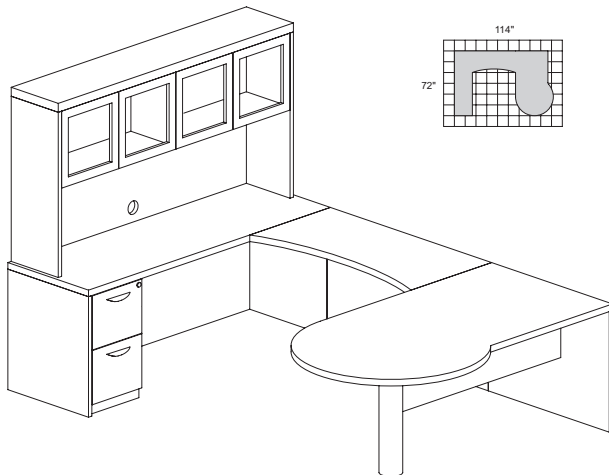
**MIRA SERIES TYPICAL #24**

Consists of:

QTY.	MODEL NO.	DESCRIPTION	LIST PRICE EACH
1	MPCTL4272	P-Top, Left	\$1366
1	MCR2472	Credenza Shell	\$911
1	MBR2448	Bridge	\$465
1	MPBBF22	Pedestal BBF	\$699

**SUITE MEUB6L**

**TOTAL: \$3441**



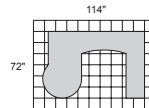
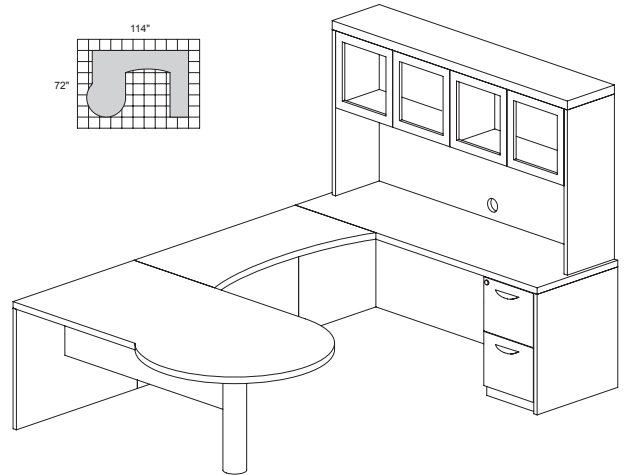
**MIRA SERIES TYPICAL #25**

Consists of:

QTY.	MODEL NO.	DESCRIPTION	LIST PRICE EACH
1	MPCTR4272	P-Top, Right	\$1366
1	MCR2472	Credenza Shell	\$911
1	MHUG3970	Hutch	\$1502
1	MBR2448	Bridge	\$465
1	MPFF22	Pedestal FF	\$699

**SUITE MEU5R**

**TOTAL: \$4943**



**MIRA SERIES TYPICAL #26**

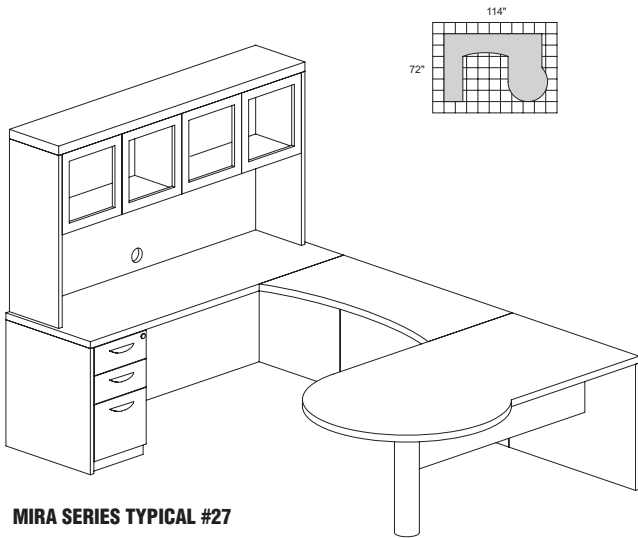
Consists of:

QTY.	MODEL NO.	DESCRIPTION	LIST PRICE EACH
1	MPCTL4272	P-Top, Left	\$1366
1	MCR2472	Credenza Shell	\$911
1	MHUG3970	Hutch	\$1502
1	MBR2448	Bridge	\$465
1	MPFF22	Pedestal FF	\$699

**SUITE MEU5L**

**TOTAL: \$4943**

**MIRA SERIES TYPICALS**



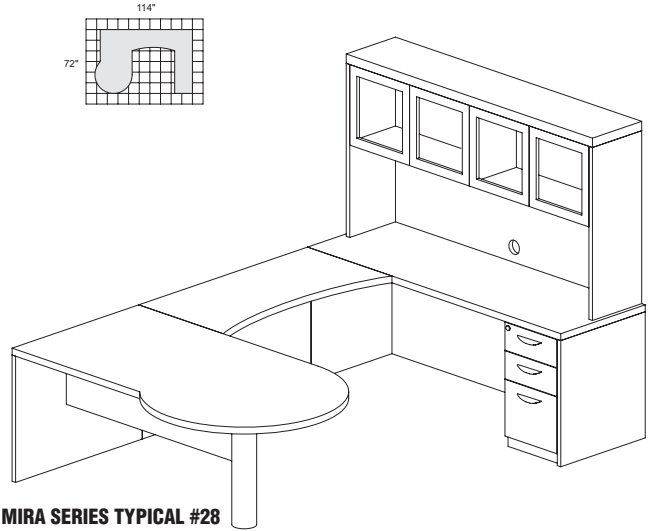
**MIRA SERIES TYPICAL #27**

Consists of:

QTY.	MODEL NO.	DESCRIPTION	LIST PRICE EACH
1	MPCTR4272	P-Top, Right	\$1366
1	MCR2472	Credenza Shell	\$911
1	MHUG3970	Hutch	\$1502
1	MBR2448	Bridge	\$465
1	MPBBF22	Pedestal BBF	\$699

**SUITE MEUB5R**

**TOTAL: \$4943**



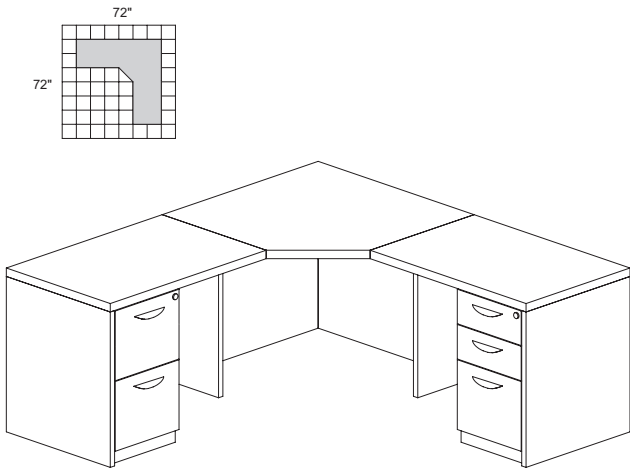
**MIRA SERIES TYPICAL #28**

Consists of:

QTY.	MODEL NO.	DESCRIPTION	LIST PRICE EACH
1	MPCTL4272	P-Top, Left	\$1366
1	MCR2472	Credenza Shell	\$911
1	MHUG3970	Hutch	\$1502
1	MBR2448	Bridge	\$465
1	MPBBF22	Pedestal BBF	\$699

**SUITE MEUB5L**

**TOTAL: \$4943**



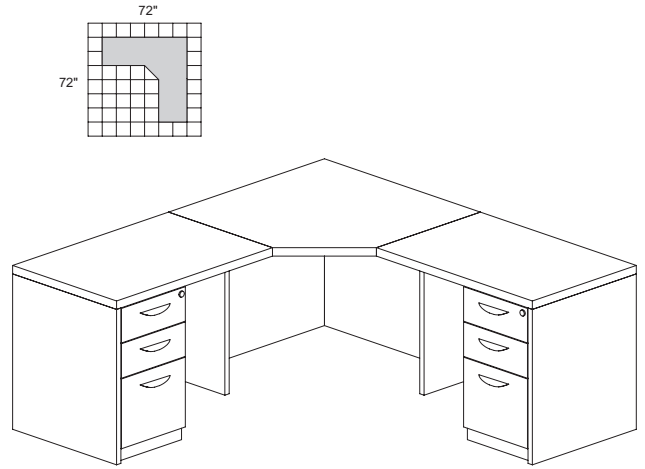
**MIRA SERIES TYPICAL #29**

Consists of:

QTY.	MODEL NO.	DESCRIPTION	LIST PRICE EACH
1	MCU243636	Corner Table	\$727
1	MRT2436	Return	\$552
1	MRT2436	Return	\$552
1	MPBBF22	Pedestal BBF	\$699
1	MPFF22	Pedestal FF	\$699

**SUITE MCU7**

**TOTAL: \$3229**



**MIRA SERIES TYPICAL #30**

Consists of:

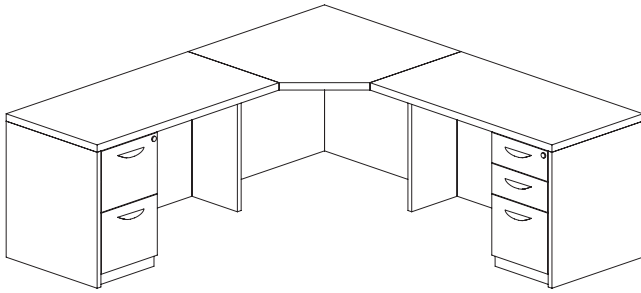
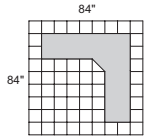
QTY.	MODEL NO.	DESCRIPTION	LIST PRICE EACH
1	MCU243636	Corner Table	\$727
1	MRT2436	Return	\$552
1	MRT2436	Return	\$552
1	MPBBF22	Pedestal BBF	\$699
1	MPBBF22	Pedestal BBF	\$699

**SUITE MCUB7**

**TOTAL: \$3229**



**MIRA SERIES TYPICALS**



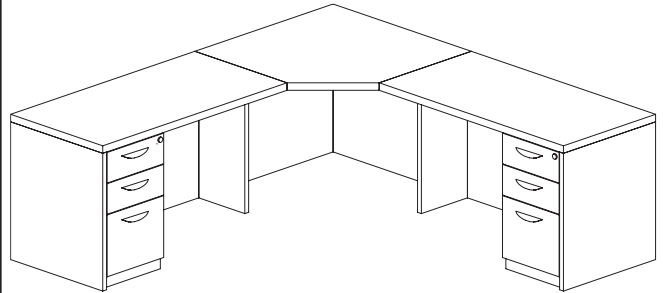
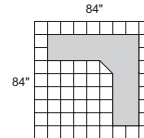
**MIRA SERIES TYPICAL #31**

Consists of:

QTY.	MODEL NO.	DESCRIPTION	LIST PRICE EACH
1	MCU243636	Corner Table	\$727
1	MRT2448	Return	\$594
1	MRT2448	Return	\$594
1	MPBBF22	Pedestal BBF	\$699
1	MPFF22	Pedestal FF	\$699

**SUITE MCU6**

**TOTAL: \$3313**



**MIRA SERIES TYPICAL #32**

Consists of:

QTY.	MODEL NO.	DESCRIPTION	LIST PRICE EACH
1	MCU243636	Corner Table	\$727
1	MRT2448	Return	\$594
1	MRT2448	Return	\$594
1	MPBBF22	Pedestal BBF	\$699
1	MPBBF22	Pedestal BBF	\$699

**SUITE MCUB6**

**TOTAL: \$3313**

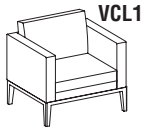
# LOUNGE FURNITURE



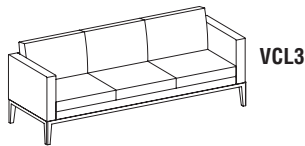
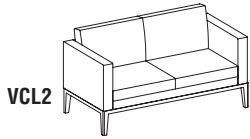
- All models in all finishes are available on both the Kwik-Ship and Fast Freight delivery programs with no quantity limitations.

## PRESTIGE SERIES

- All seated surface areas are genuine leather and available in Black.
- Platforms on Prestige Series are available in Sierra Cherry or Mahogany finish. Please specify.



Model No.	Description	Outside Dimensions	Seated Area	Seat Ht.	Wt.	List Price
<b>VCL1</b>	Chair	33 1/4"W x 29"D x 29 1/4"H	24 1/4"W x 20"D x 12 1/4"H	17"	109#	\$1005
<b>VCL2</b>	Settee	53 1/2"W x 29"D x 29 1/4"H	44 1/2"W x 20"D x 12 1/4"H	17"	150#	\$1607
<b>VCL3</b>	Sofa	77 1/2"W x 29"D x 29 1/4"H	68 1/2"W x 20"D x 12 1/4"H	17"	183#	\$2093



## SANTA CRUZ LOUNGE SERIES

- Available in either Black leather (standard with Mahogany feet) or Almond leather (standard with Black feet). Optional foot kit colors available.
- Buffalo split polyurethane coated leather on all seated surfaces.
- Mobile chair includes heavy-duty black double wheel casters in the front, black wood feet in the back.
- Mobile chair available with or without tablet.
- Mobile chair tablet: 360° swivel (15"W x 12"D), tablet height 27", available in Chestnut finish.
- Brushed aluminum handle on mobile chair back for easy mobility.
- Foot kit finish options: Sierra Cherry, Golden Cherry, Espresso, Maple, Bourbon Cherry, or Black for VCC1, VCC2 or VCC3.
- Storage ottoman standard with four casters for easy mobility; Chestnut table inside.
- 250 lb. weight capacity per seated area.
- CA117 approved.

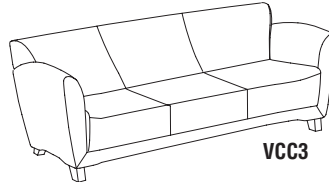
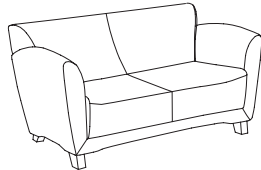
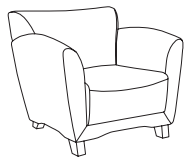


VCCMT



VCC

Model No.	Description	Outside Dimensions	Seated Area	Seat Ht.	List Price
<b>VCCM</b>	Mobile Lounge Chair	31"W x 33"D x 30 3/4"H	18 1/2"W x 21"D x 11 3/4"H	19"	\$1156
<b>VCCMT</b>	Mobile Lounge Chair With Tablet	31"W x 33"D x 30 3/4"H	18 1/2"W x 21"D x 11 3/4"H	19"	\$1388
<b>VCC</b>	Storage Ottoman	17 1/2"W x 17 1/2"D x 18 1/2"H	17 1/2"W x 17 1/2"D x 18 1/2"H	18 1/2"	\$462
<b>VCC1</b>	Chair	36"W x 34 1/4"D x 32 1/4"H	21 1/2"W x 22"D x 13 1/4"H	19"	\$1133
<b>VCC2</b>	Settee	55"W x 34 1/4"D x 32 1/4"H	41"W x 22"D x 13 1/4"H	19"	\$1689
<b>VCC3</b>	Sofa	75 1/4"W x 34 1/8"D x 32 1/4"H	61"W x 22"D x 13 1/4"H	19"	\$2195
<b>VCCL</b>	Optional Foot Kits for VCC1, VCC2 & VCC3	<i>See available finishes above.</i>	2"W x 3"D x 3 1/2"H		\$60



VCCL

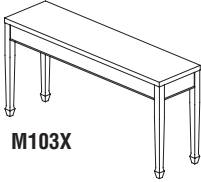


# OCCASIONAL TABLES



- All models in all finishes are available on both the Kwik-Ship and Fast Freight delivery programs with no quantity limitations.

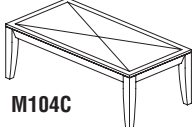
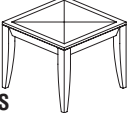
## MIDNIGHT SERIES

- Black granite top with Bourbon Cherry finish on base.

	Model No.	Description	Dimensions	Wt.	List Price
 <p>M103X</p>  <p>M103C</p>  <p>M103R</p>	M103X	Sofa Table	60"W x 16"D x 30"H	99#	\$1595
	M103C	Coffee Table	48"W x 24"D x 16"H	108#	\$1357
	M103R	End Table	24"W x 24"D x 22"H	62#	\$948

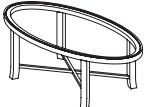

## DIAMOND SERIES

- Tops feature Cherry veneer with a diamond pattern in a Bourbon Cherry finish.

	Model No.	Description	Dimensions	Wt.	List Price
 <p>M104C</p>  <p>M104S</p>	M104C	Coffee Table	48"W x 24"D x 16 1/4"H	62#	\$741
	M104S	End Table	24"W x 24"D x 22 1/4"H	36#	\$533

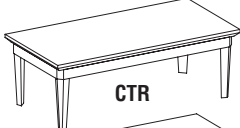

## ILLUSION SERIES

- Glass tops with a Bourbon Cherry finished base.

	Model No.	Description	Dimensions	Wt.	List Price
 <p>M106C</p>  <p>M106R</p>	M106C	Coffee Table	48"W x 24"D x 16"H	70#	\$984
	M106R	End Table	22"Dia. x 22"H	46#	\$677

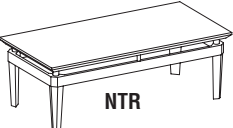

## CORSICA TABLES

- Table surfaces are offered in a choice of Sierra Cherry finish on a cherry veneer and Mahogany finish on walnut veneer.

	Model No.	Description	Dimensions	Wt.	List Price
 <p>CTR</p>  <p>CTS</p>	CTR	Coffee Table	48"W x 24"D x 16"H	65#	\$855
	CTS	End Table	24"W x 24"D x 22"H	30#	\$605

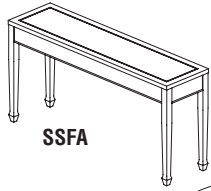
## NAPOLI TABLES

- Table surfaces are offered in a choice of Sierra Cherry finish on a cherry veneer, Mahogany finish on walnut veneer or Golden Cherry on beech veneer.

	Model No.	Description	Dimensions	Wt.	List Price
 <p>NTR</p>  <p>NTS</p>	NTR	Coffee Table	48"W x 24"D x 16"H	40#	\$855
	NTS	End Table	24"W x 24"D x 22"H	25#	\$605

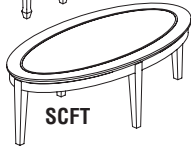
**OCCASIONAL TABLES****SORRENTO TABLES**

- Table surfaces consist of a Bourbon Cherry finish on a Cherry veneer border with a Walnut inlay surrounding Bird's Eye Maple panel or Espresso finish on Walnut veneer.



SSFA

Model No.	Description	Dimensions	Wt.	List Price
SSFA	Sofa Table	60"W x 16"D x 30"H	75#	\$761
SCFT	Coffee Table – Oval	48"W x 24"D x 15"H	49#	\$700
SET	End Table	24"W x 24"D x 24"H	33#	\$511



SCFT



SET

**LUMINARY TABLES**

- Table surfaces offered in choice of Maple finish on Maple veneer and Cherry finish on Cherry veneer.

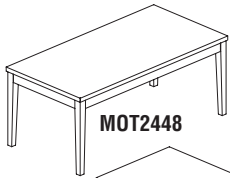


OT2424

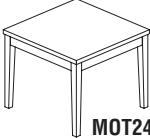
Model No.	Description	Dimensions	Wt.	List Price
OT2424	End Table	24"W x 24"D x 20"H	23#	\$594

**MIRA TABLES**

- Table surfaces offered in Medium Cherry surface on Cherry veneer.



MOT2448



MOT2424

Model No.	Description	Dimensions	Wt.	List Price
MOT2448	Coffee Table	48"W x 24"D x 16"H	49#	\$762
MOT2424	End Table	24"W x 24"D x 20"H	23#	\$636

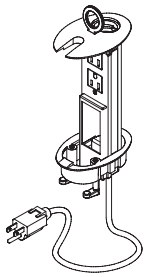
## REAL OFFICE OPTIONS

### POWER AND DATA OPTIONS

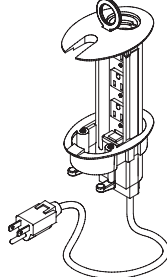
Mayline's Power and Data Modules easily field install into desk and conference table tops, providing a combination of power outlets and data jacks.

- Templates for field installation are included with each power module.

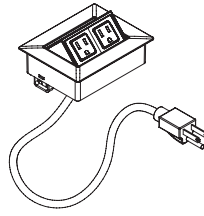
Model No.	Description	Dimensions	Wt.	List Price
<b>PMR22</b>	Power and Data Module with 2 Power and 2 Data Outlets (Black)	3"W x 4 1/2"D x 8"H	2#	\$187
<b>PMR30</b>	Power Module with 3 Power Outlets (Black)	3"W x 4 1/2"D x 8"H	2#	\$196
<b>PM20</b>	Power Module with 2 Power Outlets (Black)	5 3/8"W x 4 1/4"D	2#	\$293
<b>PM22</b>	Power and Data Module with 2 Power and 2 Data Outlets (Silver)	8 1/4"W x 4 3/8"D	4#	\$446
<b>PM44</b>	Power and Data Module with 4 Power and 4 Data Outlets (Silver)	8"W x 8 1/4"D	5#	\$892



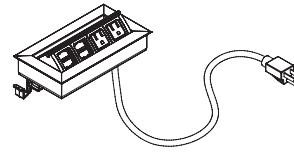
PMR22



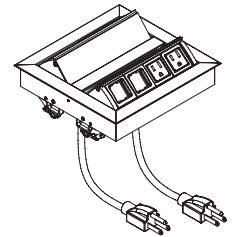
PMR30



PM20



PM22



PM44

### GROMMET OPTIONS

Mayline's Grommet Options are available in 8 different styles providing you with the perfect solution.

- All grommets are field installed.

Model No.	Description	Dimensions (Face Plate)	Wt.	List Price
<b>F740</b>	Recommended for Desk Tops (Black, Taupe, White, Gray)	2 3/4"W x 2 1/8"D	1#	\$24
<b>GMT1</b>	Recommended for Conference Table and Desk Tops (Black Only)	3 1/2"W x 2"D	1#	\$25
<b>GMT2</b>	Recommended for Conference Table Tops (Black Only)*	6 1/4"W x 3 1/4"D	1#	\$25
<b>REALS099</b>	Recommended for Conference Table Tops (Silver Only)*	6 1/4"W x 3 1/4"D	1#	\$24
<b>REALS100</b>	Recommended for Conference Table and Desk Tops (Silver)	2 5/8"D	1#	\$24
<b>REALS104</b>	Recommended for Hutch Back Panels (Black)	1 5/8"D	1#	\$20
<b>REALS276</b>	Recommended for Hutch Back Panels, Modesty Panels and Peds (Black)	2 5/8"D	1#	\$20
<b>REALS277</b>	Recommended for Peds, Desk, Credenza or Return End Panels	2"W x 2"D	1#	\$20

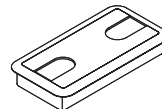
\* Is not recommended for Corsica Conference Table Tops



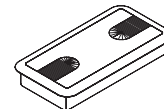
F740



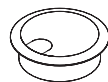
GMT1



GMT2



REALS099



REALS100



REALS104



REALS276

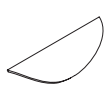


REALS277

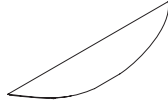
## REAL OFFICE OPTIONS

## HANDLE OPTIONS

Model No.	Description	Dimensions	Finish	List Price
CP3	Luminary, Mira	4"W, with 1 1/4" Center	Chrome/Black	\$18
CP6	Luminary, Mira, Eclipse	6"W, with 3 3/4" Center	Chrome/Black	\$18
WP4	Luminary, Mira, Eclipse	4"W, with 3 3/4" Center	Chrome/Black	\$18
REALS010	Corsica, Napoli	7"W, with 6 1/4" Center	Satin Nickel	\$18
REALS011	Corsica, Napoli	7"W, with 6 1/4" Center	Black	\$18
REALS281	Corsica, Napoli	7 1/2"W, with 6 1/4" Center	Black	\$18
REALS282	Corsica, Napoli	7 1/2"W, with 6 1/4" Center	Satin Nickel	\$18
REALS191	Aberdeen, Brighton, Sorrento	7"W, with 5" Center	Satin Nickel	\$18
REALS283	Aberdeen, Brighton, Sorrento	7 1/2"W, with 5" Center	Satin Nickel	\$20
REALS284	Aberdeen, Brighton, Sorrento	7 1/2"W, with 5" Center	Black	\$20
REALS285	Aberdeen, Brighton, Sorrento	6 1/2"W, with 5" Center	Satin Nickel	\$20
REALS286	Aberdeen, Brighton, Sorrento	6 1/2"W, with 5" Center	Black	\$20
REALS287	Aberdeen, Brighton, Sorrento	6 1/2"W, with 5" Center	Satin Nickel	\$16
REALS288	Aberdeen, Brighton, Sorrento	6 1/2"W, with 5" Center	Black	\$15



CP3



CP6



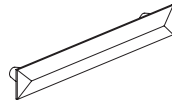
WP4



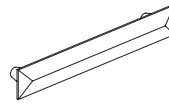
REALS010



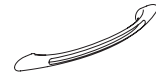
REALS011



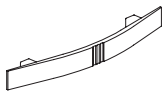
REALS281



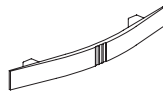
REALS282



REALS191



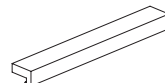
REALS283



REALS284



REALS285



REALS286



REALS287



REALS288

# ***CONFERENCE & TRAINING TABLES***

---



**Meeting Plus™ Tables**

**Sync™ Tables**

**Flip-N-Go® Series**

**Encounter™ Tables**

**T-Mate™ Tables**

**Training Table Power Options**

**TRANSACTION™ Conference & Media Tables**

**TRANSACTION™ Power/Telecom Options**

**Ranger® Team Tables**

**CSII™ Conference Tables**

**Geneva™ Conference Tables**

**Accessories**

DESKING

CASEGOODS

**CONFERENCE &  
TRAINING TABLES**

SEATING

STORAGE &  
FILMING

SPECIALTY  
SOLUTIONS

COM  
FORMS

PRODUCT  
INDEX



# MEETING PLUS™ TABLES

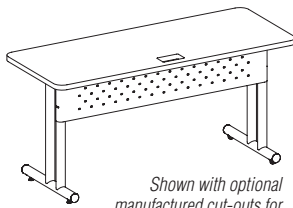


## MEETING PLUS™ CONFERENCE/TRAINING TABLES

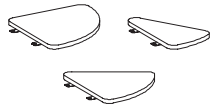
Updated table design built with durability and configurability in mind.

- Modesty panels with integrated extra-wide cable troughs.
- Tables can be connected together by using the optional ganging accessory
- All tables standard with one mobile leg and one stationary with levelers.
- Overall table height: 28 5/8".
- 250 lb. weight capacity, evenly distributed.
- Product shipped within one carton.
- Tables available in either Low Pressure Laminate with standard T-Mold or High Pressure Laminate with your choice of 3 edge treatments.
- HPL Edge Treatments: T-Mold (T), Knife-Edge (K), or Fluted (R) available in corporate edge colors.
- LPL table leg finishes available in Black. All corporate paint colors available for HPL table legs.
- Manufactured cutouts for daisy chain electrical kits now standard on 24"D & 30"D rectangular tables (one centered cutout per table). Add "E" suffix and \$30 list upcharge per cutout. See Training Tables Power Options page for surface mount kits.

**Order Example M1848HK: M1848 = Base Model; H = HPL; K = Knife-Edge**



Shown with optional manufactured cut-outs for daisy chain electrical kits.



### 18" RECTANGULAR

Model No.	Dimensions	Wt.	LPL List Price "T" Suffix	HPL List Price "H" Suffix T-Mold List Price "T, K or R" Suffix
M1848	48"W x 18"D	74#	\$703	\$768
M1860	60"W x 18"D	87#	\$756	\$832
M1872	72"W x 18"D	97#	\$870	\$960

### 18" PIE CONNECTORS

Model No.	Dimensions	Wt.	LPL List Price "T" Suffix	HPL List Price "H" Suffix T-Mold List Price "T, K or R" Suffix
P3018	18" x 30° Pie	4#	\$217	\$243
P6018	18" x 60° Pie	8#	\$229	\$255
P9018	18" x 90° Pie	12#	\$243	\$269

### 24" RECTANGULAR

Model No.	Dimensions	Wt.	LPL List Price "T" Suffix	HPL List Price "H" Suffix T-Mold List Price "T, K or R" Suffix
M2448*	48"W x 24"D	80#	\$756	\$832
M2460*	60"W x 24"D	90#	\$807	\$897
M2472*	72"W x 24"D	103#	\$923	\$1025

\* **NOTE:** Manufactured cutouts for daisy chain electrical kits available. Add "E" suffix and \$30 List Upcharge per cutout. See Training Tables Power Options page for Surface Mount Kit options.

### 24" PIE CONNECTORS

Model No.	Dimensions	Wt.	LPL List Price "T" Suffix	HPL List Price "H" Suffix T-Mold List Price "T, K or R" Suffix
P3024	24" x 30° Pie	6#	\$217	\$243
P6024	24" x 60° Pie	12#	\$229	\$255
P9024	24" x 90° Pie	18#	\$243	\$269

### 24" CRESCENT/TRAPEZOID/TRANSITION

Model No.	Dimensions	Wt.	LPL List Price "T" Suffix	HPL List Price "H" Suffix T-Mold List Price "T, K or R" Suffix
MC24	66"W x 24"D Crescent (48"Radius)	80#	\$807	\$897
MT2454	54"W x 24"D Trapezoid	80#	\$768	\$845
M24	48"W x 24"D Transition	80#	\$807	\$897

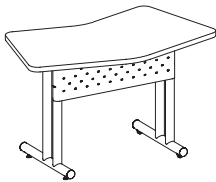
### 30" RECTANGULAR

Model No.	Dimensions	Wt.	LPL List Price "T" Suffix	HPL List Price "H" Suffix T-Mold List Price "T, K or R" Suffix
M3048*	48"W x 30"D	86#	\$807	\$897
M3060*	60"W x 30"D	99#	\$858	\$960
M3072*	72"W x 30"D	109#	\$986	\$1089

\* **NOTE:** Manufactured cutouts for daisy chain electrical kits available. Add "E" suffix and \$30 List Upcharge per cutout. See Training Tables Power Options page for Surface Mount Kit options.

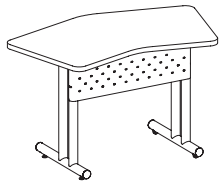
**MEETING PLUS™ CONFERENCE/TRAINING TABLES**

**30° PIE CONNECTORS**



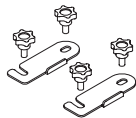
Model No.	Dimensions	Wt.	LPL List Price "T" Suffix	HPL List Price "H" Suffix T-Mold List Price "T, K or R" Suffix
P3030	30" x 30° Pie	8#	\$217	\$243
P6030	30" x 60° Pie	16#	\$229	\$255
P9030	30" x 90° Pie	22#	\$243	\$269

**TRANSITION TABLES**  
(Surfaces can be installed in either direction)



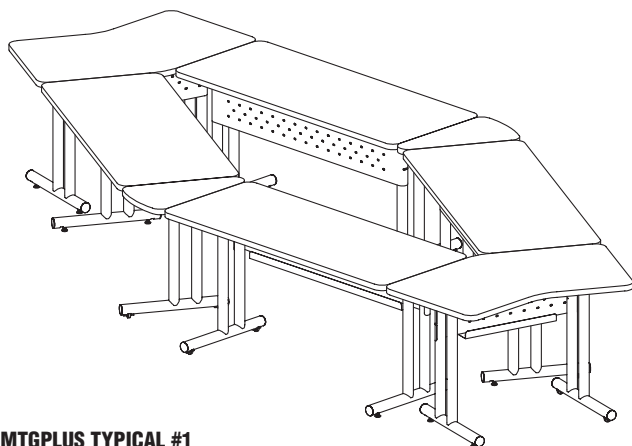
Model No.	Dimensions	Wt.	LPL List Price "T" Suffix	HPL List Price "H" Suffix T-Mold List Price "T, K or R" Suffix
M18	36 1/2"W x 18"D	74#	\$678	\$768
M24	48"W x 24"D	80#	\$807	\$897
M30	59 1/2"W x 30"D	100#	\$936	\$1025

**UNIVERSAL GANGING ACCESSORY – designed to connect two table edges together.**



Model No.	Description	Wt.	List Price
10GA	Universal Ganging Accessory	1#	\$50

**MEETING PLUS TYPICALS**



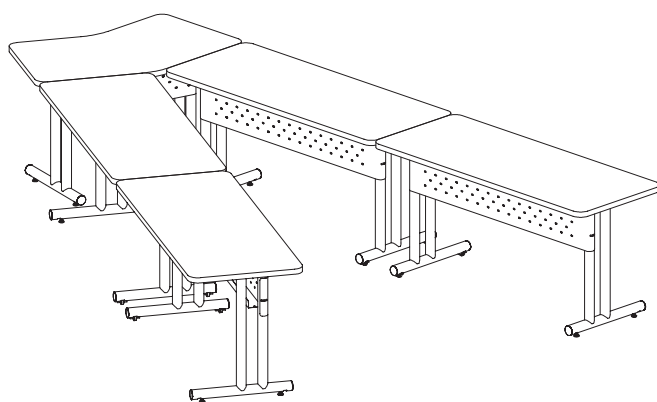
**MTGPLUS TYPICAL #1**

Consists of:

QTY.	MODEL NO.	DESCRIPTION	LIST PRICE EACH
4	M2460HK	Rect. Table, 24 x 60 w/Knife Edge T-Mold	\$897
2	M24HK	Transition Table w/Knife Edge T-Mold	\$897
2	P3024HK	30° Pie w/Knife Edge T-Mold	\$243
4	10GA	Ganging Kit	\$50

**MTGPLUS1**

**TOTAL: \$6065**



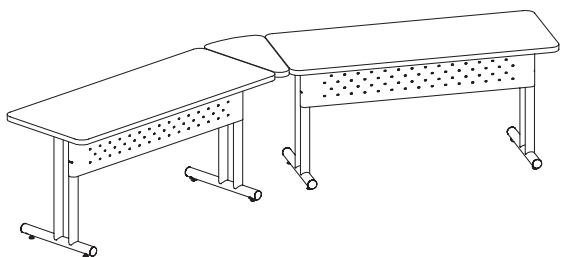
**MTGPLUS TYPICAL #2**

Consists of:

QTY.	MODEL NO.	DESCRIPTION	LIST PRICE EACH
4	M2460HK	Rect. Table, 24 x 60 w/Knife Edge T-Mold	\$897
1	M24HK	Transition Table w/Knife Edge T-Mold	\$897
4	10GA	Ganging Kit	\$50

**MTGPLUS2**

**TOTAL: \$4683**



**MTGPLUS TYPICAL #3**

Consists of:

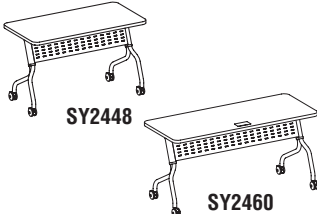
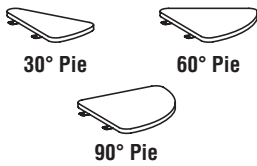
QTY.	MODEL NO.	DESCRIPTION	LIST PRICE EACH
2	M2460HK	Rect. Table, 24 x 60 w/Knife Edge T-Mold	\$897
1	P3024HK	30° Pie w/Knife Edge T-Mold	\$243

**MTGPLUS3**

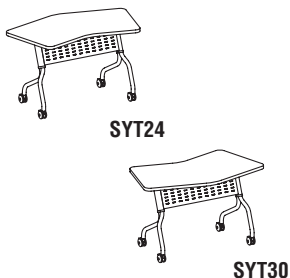
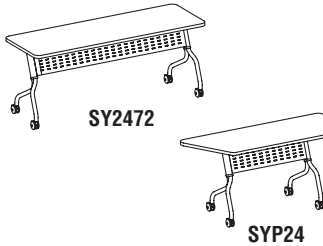
**TOTAL: \$2037**

## SYNC TRAINING TABLES

- Single-handed center control mechanism for convenient flip of the top.
- Minimal assembly required, installs in minutes.
- Tables straight-row nest for compact storage.
- Integrated modesty panel with built-in cable trough.
- Tables can be connected together by using ganging kit (included).
- Tables are shipped in two boxes.
- Overall table height: 29 1/2", four 3" locking casters.
- 6 1/8" between tables when nested.
- 150 lb. weight capacity, evenly distributed.
- Tables available in either Thermally Fused Laminate with standard T-Mold or High Pressure Laminate with your choice of (3) edge treatments.
- HPL T-Mold Edge Treatments: Standard T-Mold (T), Knife-Edge (K), or Fluted (R) available in corporate edge colors.
- Manufactured cutouts for daisy chain electrical kits now standard on 24"D & 30"D rectangular tables (one centered cutout per table). Add "E" suffix and \$30 list upcharge per cutout. See Training Tables Power Options page for surface mount kits.



*Shown with optional  
manufactured cut-outs for  
daisy chain electrical kits.*



### 18" RECTANGULAR

Model No.	Description	Wt.	LPL List Price "T" Suffix	HPL List Price "H" Suffix T-Mold List Price "T, K or R" Suffix
SY1848	48" x 18" Rectangular	66#	\$603	\$660
SY1854	54" x 18" Rectangular	71#	\$647	\$696
SY1860	60" x 18" Rectangular	76#	\$660	\$730
SY1866	66" x 18" Rectangular	80#	\$683	\$746
SY1872	72" x 18" Rectangular	86#	\$702	\$775

### 18" PIE CONNECTORS

P3018	18" x 30° Pie	4#	\$217	\$243
P6018	18" x 60° Pie	8#	\$229	\$255
P9018	18" x 90° Pie	12#	\$243	\$269

### 24" RECTANGULAR/CRESCENT/TRAPEZOID

SY2448*	48" x 24" Rectangular	76#	\$660	\$730
SY2454*	54" x 24" Rectangular	82#	\$703	\$771
SY2460*	60" x 24" Rectangular	86#	\$730	\$805
SY2466*	66" x 24" Rectangular	92#	\$758	\$845
SY2472*	72" x 24" Rectangular	96#	\$775	\$862
SYC24	67" x 24" Crescent (48" Radius)	78#	\$746	\$820
SYP24	60" x 24" Trapezoid	78#	\$746	\$820

\* NOTE: Manufactured cutouts for daisy chain electrical kits available. Add "E" suffix and \$30 List Upcharge per cutout. See Training Tables Power Options page for Surface Mount Kit options.

### 24" PIE CONNECTORS

P3024	24" x 30° Pie	6#	\$217	\$243
P6024	24" x 60° Pie	12#	\$229	\$255
P9024	24" x 90° Pie	18#	\$243	\$269

### 30" RECTANGULAR

SY3048*	48" x 30" Rectangular	86#	\$718	\$805
SY3054*	54" x 30" Rectangular	93#	\$753	\$841
SY3060*	60" x 30" Rectangular	99#	\$790	\$876
SY3066*	66" x 30" Rectangular	105#	\$817	\$904
SY3072*	72" x 30" Rectangular	111#	\$845	\$932

\* NOTE: Manufactured cutouts for daisy chain electrical kits available. Add "E" suffix and \$30 List Upcharge per cutout. See Training Tables Power Options page for Surface Mount Kit options.

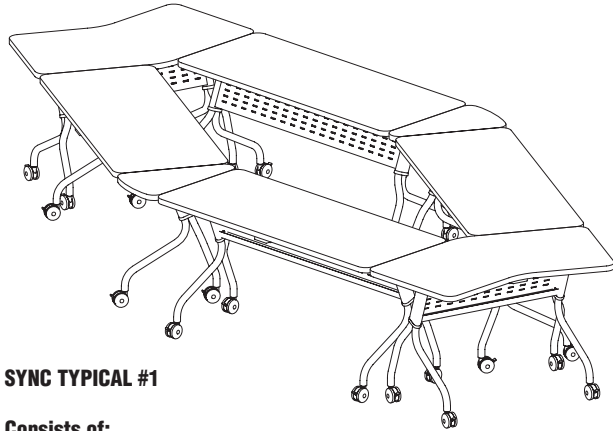
### 30" PIE CONNECTORS

P3030	30" x 30° Pie	8#	\$217	\$243
P6030	30" x 60° Pie	16#	\$229	\$255
P9030	30" x 90° Pie	22#	\$243	\$269

### TRANSITION TABLES

SYT24	48"W x 24"D	78#	\$791	\$850
SYT30	48"W x 30"D	100#	\$816	\$874

**SYNC TYPICALS**



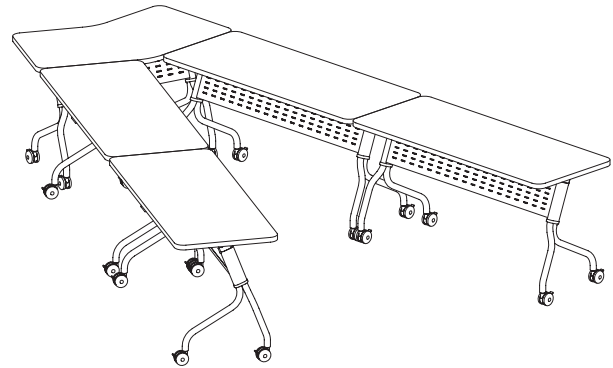
**SYNC TYPICAL #1**

Consists of:

QTY.	MODEL NO.	DESCRIPTION	LIST PRICE EACH
4	SY2460T	Rectangular Table, 24" x 60"	\$730
2	SYT24T	24"D Transition Table	\$791
2	P3024T	24" x 30° Pie	\$217

**SYNC1**

**TOTAL: \$4939**



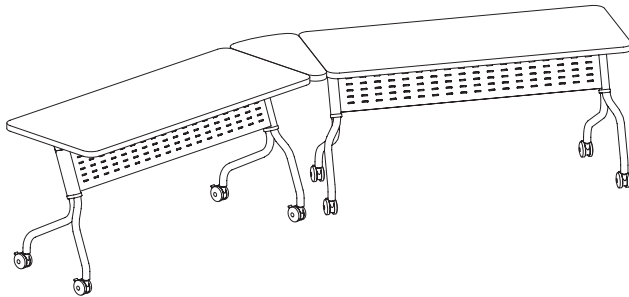
**SYNC TYPICAL #2**

Consists of:

QTY.	MODEL NO.	DESCRIPTION	LIST PRICE EACH
4	SY2460T	Rectangular Table, 24" x 60"	\$730
1	SYT24T	24"D Transition Table	\$791

**SYNC2**

**TOTAL: \$3713**



**SYNC TYPICAL #3**

Consists of:

QTY.	MODEL NO.	DESCRIPTION	LIST PRICE EACH
2	SY2460T	Rectangular Table, 24" x 60"	\$730
1	P3024T	24" x 30° Pie	\$217

**SYNC3**

**TOTAL: \$1678**

# FLIP-N-GO® TABLES

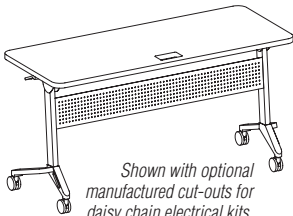


## FLIP-N-GO TABLES

An excellent solution for your training or conference room needs.

- Black base only.
- Minimal assembly required.
- Dual-sided levers for a quick-flip of the top.
- Tables nest for compact storage.
- Integrated Modesty Panel with built-in cable trough.
- Tables can be connected together by using the included ganging accessory.
- Tables are shipped in two boxes, top and base separately.
- Overall HPL table height: 29".
- Four locking casters.
- 5 1/4" between tables when nested.
- 150 lb. weight capacity, evenly distributed.
- Tables can be connected together by using ganging kit (included).
- Tables available in either Thermally Fused Laminate with standard T-Mold or High Pressure Laminate with your choice of 3 edge treatments.
- HPL T-Mold Edge Treatments: Standard T-Mold (T), Knife-Edge (K), or Fluted (R) available in corporate edge colors.
- Manufactured cutouts for daisy chain electrical kits now standard on 24"D rectangular tables (one centered cutout per table).  
Add "E" suffix and \$30 list upcharge per cutout. See Training Tables Power Options page for surface mount kits.

**Order Example LF1848HK: LF1848 = Base Model; H = HPL; K = Knife-Edge**



### 18" RECTANGULAR

Model No.	Dimensions	Wt.	LPL List Price "T" Suffix	HPL List Price "H" Suffix T-Mold List Price "T, K or R" Suffix
LF1848	48" x 18" Rectangular	66#	\$548	\$600
LF1860	60" x 18" Rectangular	76#	\$600	\$666
LF1872	72" x 18" Rectangular	86#	\$640	\$704

### 18" PIE CONNECTORS

Model No.	Dimensions	Wt.	LPL List Price "T" Suffix	HPL List Price "H" Suffix T-Mold List Price "T, K or R" Suffix
P3018	18" x 30° Pie	4#	\$217	\$243
P6018	18" x 60° Pie	8#	\$229	\$255
P9018	18" x 90° Pie	12#	\$243	\$269

### 24" RECTANGULAR/CRESCENT/TRAPEZOID

Model No.	Dimensions	Wt.	LPL List Price "T" Suffix	HPL List Price "H" Suffix T-Mold List Price "T, K or R" Suffix
LF2448*	48" x 24" Rectangular	76#	\$600	\$666
LF2460*	60" x 24" Rectangular	86#	\$666	\$730
LF2472*	72" x 24" Rectangular	96#	\$704	\$783
LC24	67" x 24" Crescent (48" Radius)	76#	\$718	\$783
LP24	60" x 24" Trapezoid	76#	\$640	\$692

\* NOTE: Manufactured cutouts for daisy chain electrical kits available. Add "E" suffix and \$30 List Upcharge per cutout. See Training Tables Power Options page for Surface Mount Kit options.

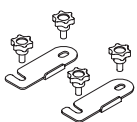
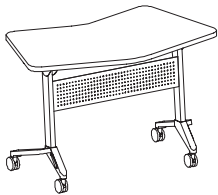
### 24" PIE CONNECTORS

Model No.	Dimensions	Wt.	LPL List Price "T" Suffix	HPL List Price "H" Suffix T-Mold List Price "T, K or R" Suffix
P3024	24" x 30° Pie	6#	\$217	\$243
P6024	24" x 60° Pie	12#	\$229	\$255
P9024	24" x 90° Pie	18#	\$243	\$269

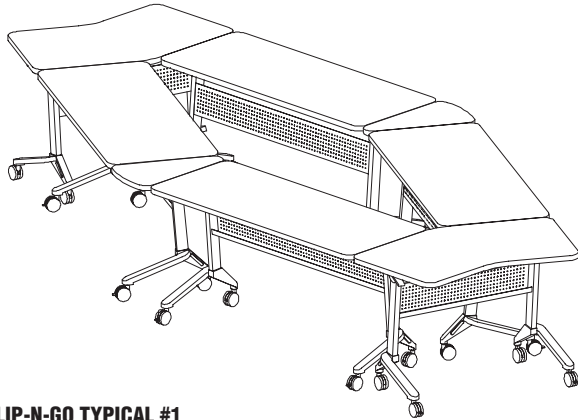
### TRANSITION TABLES

(Surfaces can be installed in either direction)

Model No.	Dimensions	Wt.	LPL List Price "T" Suffix	HPL List Price "H" Suffix T-Mold List Price "T, K or R" Suffix
LT24	48"W x 24"D	76#	\$719	\$783



**FLIP-N-GO TYPICALS**



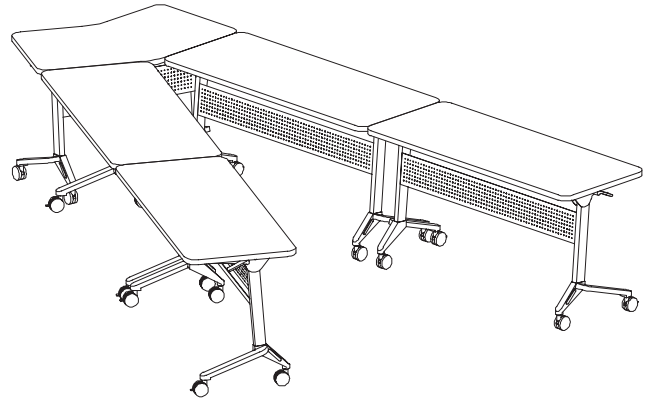
**FLIP-N-GO TYPICAL #1**

Consists of:

QTY.	MODEL NO.	DESCRIPTION	LIST PRICE EACH
4	LF2460T	Rect. Table, 24 x 60	\$666
2	LT24T	24"D Transition Table	\$719
2	P3024T	24" x 30° Pie	\$217

**FLIP1**

**TOTAL: \$4535**



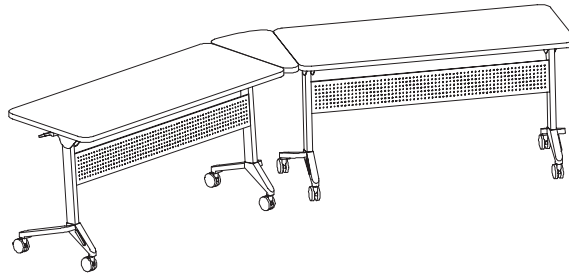
**FLIP-N-GO TYPICAL #2**

Consists of:

QTY.	MODEL NO.	DESCRIPTION	LIST PRICE EACH
4	LF2460T	Rect. Table, 24 x 60	\$666
1	LT24T	24"D Transition Table	\$719

**FLIP2**

**TOTAL: \$3382**



**FLIP-N-GO TYPICAL #3**

Consists of:

QTY.	MODEL NO.	DESCRIPTION	LIST PRICE EACH
2	LF2460T	Rect. Table, 24" x 60"	\$666
1	P3024T	24" x 30° Pie	\$217

**FLIP3**

**TOTAL: \$1549**

DESKING

CASEGOODS

CONFERENCE & TRAINING TABLES

SEATING

STORAGE & FILING

SPECIALTY SOLUTIONS

COM FORMS

PRODUCT INDEX

# ENCOUNTER TABLES



## ENCOUNTER CONFERENCE AND TRAINING TABLES

Encounter offers a clean, refined appearance at incredible pricing

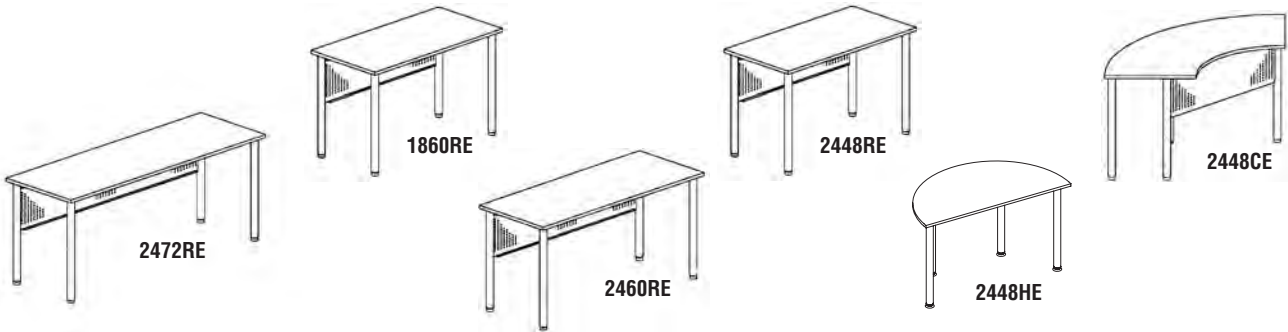
### Specifications

- Scratch Resistance Melamine Surface.
- Heavy Gauge Steel Frame Construction.
- Attractive Solid Stance with Leveling Glides.
- Clean, Refined Appearance.
- Ganging Hardware standard.
- Durable PVC Edging.
- 75 lb. weight capacity, evenly distributed.

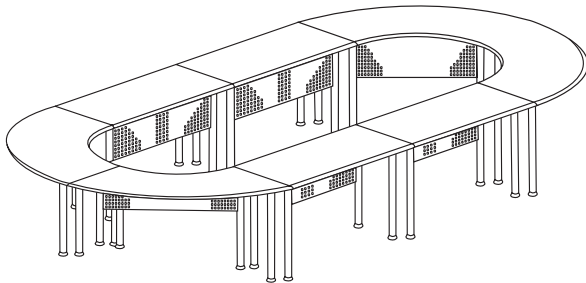
- **Color:** Cherry and Folkstone surfaces with legs and modesty panels in black **only**.

**\*Note:** These tables are designed for static use applications only. They are not designed to be slid and/or dragged across any floor surface. For applications requiring mobility, please refer to one of our many mobile training table options.

Model No.	Description	Wt.	List Price
❖ <b>1872RE</b>	72"W x 18"D x 29"H Rectangular Meeting/Training Table	65#	\$618
❖ <b>2472RE</b>	72"W x 24"D x 29"H Rectangular Meeting/Training Table	70#	\$687
❖ <b>1860RE</b>	60"W x 18"D x 29"H Rectangular Meeting/Training Table	55#	\$565
❖ <b>2460RE</b>	60"W x 24"D x 29"H Rectangular Meeting/Training Table	60#	\$600
❖ <b>2448RE</b>	48"W x 24"D x 29"H Rectangular Meeting/Training Table	50#	\$515
❖ <b>2448HE</b>	48"W x 24"D x 29"H Half-Round Meeting/Training Table	45#	\$428
❖ <b>2448CE</b>	67"W x 24"D x 29"H Crescent Meeting/Training Table	55#	\$721



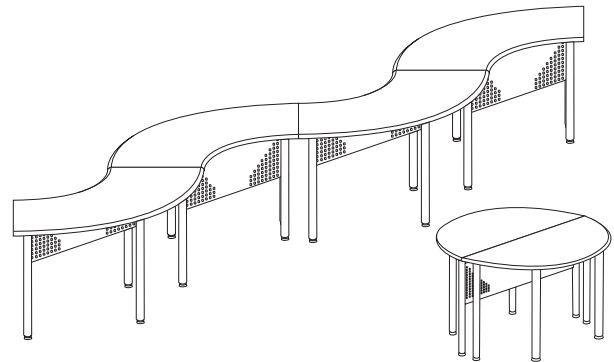
## ENCOUNTER TYPICALS



QTY.	DESCRIPTION	MODEL NO.	LIST PRICE EACH
<b>Open Oval</b>			
4	67"W x 24"D Crescent	<b>2448CE</b>	\$721
4	60"W x 24"D Rectangular	<b>2460RE</b>	\$600

**ENC1**

**TOTAL: \$5286**



QTY.	DESCRIPTION	MODEL NO.	LIST PRICE EACH
<b>Snake</b>			
4	67"W x 24"D Crescent	<b>2448CE</b>	\$721
2	24" Half Round	<b>2448HE</b>	\$428

**ENC2**

**TOTAL: \$3741**

❖ Indicates Kwik-Ship models.



# T-MATE TABLES



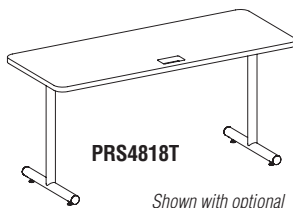
## T-MATE TABLES

Shared-leg design saves cost and provides more knee space.

- Starter Tables supplied with two legs for freestanding applications.
- Adder Tables supplied with one leg. Any shared leg configuration requires one Starter Table and all remaining tables can be Adders.
- Tables can be connected together by using the optional ganging accessory (not available for 18").
- Overall table height: 29".
- 100 lb. weight capacity on Starter Tables, weight evenly distributed.
- Optional Modesty Panel, with built-in cable trough (2.8" depth), can be added to any tabletop.
- Tables available in either Low Pressure Laminate with standard T-Mold or High Pressure Laminate with your choice of 3 edge treatments.
- HPL T-Mold Edge Treatments: Standard T-Mold (T), Knife-Edge (K), or Fluted (R) available in corporate edge colors.
- LPL table leg finishes available in Black. All corporate paint colors available for HPL table legs.
- Manufactured cutouts for daisy chain electrical kits now standard on 24"D & 30"D rectangular tables (one centered cutout per table). Add "E" suffix and \$30 list upcharge per cutout. See Training Tables Power Options page for surface mount kits.

**NOTE:** These tables are designed for static use applications only. They are not designed to be slid and/or dragged across any floor surface. For applications requiring mobility, please refer to one of our many mobile training table options.

**Order Example PRS4818HK: PRS4818 = Base Model; H = HPL; K = Knife-Edge**



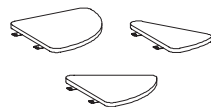
Shown with optional manufactured cut-outs for daisy chain electrical kits.

### 18" RECTANGULAR

Model No.	Dimensions	Wt.	LPL List Price "T" Suffix	HPL List Price "H" Suffix T-Mold List Price "T, K or R" Suffix
PRS4818	Starter, 48" x 18" Rectangular	40#	\$521	\$574
PRA4818	Adder, 48" x 18" Rectangular	32#	\$351	\$392
PRS6018	Starter, 60" x 18" Rectangular	50#	\$521	\$587
PRA6018	Adder, 60" x 18" Rectangular	42#	\$377	\$418
PRS7218	Starter, 72" x 18" Rectangular	60#	\$561	\$613
PRA7218	Adder, 72" x 18" Rectangular	52#	\$443	\$495

### 18" PIE CONNECTORS

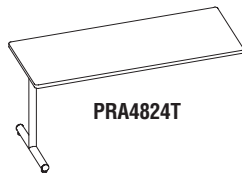
Model No.	Dimensions	Wt.	LPL List Price "T" Suffix	HPL List Price "H" Suffix T-Mold List Price "T, K or R" Suffix
P3018	18" x 30° Pie	4#	\$217	\$243
P6018	18" x 60° Pie	8#	\$229	\$255
P9018	18" x 90° Pie	12#	\$243	\$269



PIE CONNECTORS

### 24" RECTANGULAR

Model No.	Dimensions	Wt.	LPL List Price "T" Suffix	HPL List Price "H" Suffix T-Mold List Price "T, K or R" Suffix
PRS4824*	Starter, 48" x 24" Rectangular	50#	\$574	\$640
PRA4824*	Adder, 48" x 24" Rectangular	42#	\$418	\$456
PRS6024*	Starter, 60" x 24" Rectangular	60#	\$587	\$652
PRA6024*	Adder, 60" x 24" Rectangular	52#	\$443	\$482
PRS7224*	Starter, 72" x 24" Rectangular	70#	\$613	\$674
PRA7224*	Adder, 72" x 24" Rectangular	62#	\$508	\$561

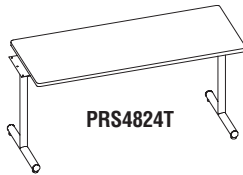


PRA4824T

\* **NOTE:** Manufactured cutouts for daisy chain electrical kits available. Add "E" suffix and \$30 List Upcharge per cutout. See Training Tables Power Options page for Surface Mount Kit options.

### 24" PIE CONNECTORS

Model No.	Dimensions	Wt.	LPL List Price "T" Suffix	HPL List Price "H" Suffix T-Mold List Price "T, K or R" Suffix
P3024	24" x 30° Pie	6#	\$217	\$243
P6024	24" x 60° Pie	12#	\$229	\$255
P9024	24" x 90° Pie	18#	\$243	\$269



PRS4824T

### 30" RECTANGULAR

Model No.	Dimensions	Wt.	LPL List Price "T" Suffix	HPL List Price "H" Suffix T-Mold List Price "T, K or R" Suffix
PRS4830*	Starter, 48" x 30" Rectangular	60#	\$587	\$652
PRA4830*	Adder, 48" x 30" Rectangular	52#	\$429	\$482
PRS6030*	Starter, 60" x 30" Rectangular	70#	\$626	\$692
PRA6030*	Adder, 60" x 30" Rectangular	62#	\$469	\$521
PRS7230*	Starter, 72" x 30" Rectangular	80#	\$640	\$704
PRA7230*	Adder, 72" x 30" Rectangular	72#	\$521	\$574

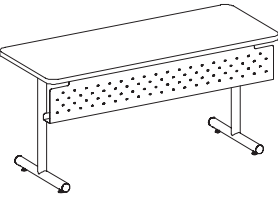
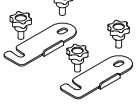
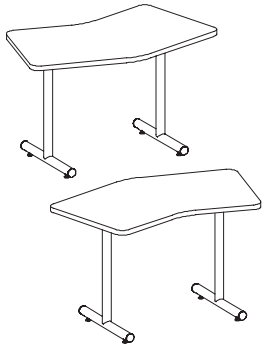
\* **NOTE:** Manufactured cutouts for daisy chain electrical kits available. Add "E" suffix and \$30 List Upcharge per cutout. See Training Tables Power Options page for Surface Mount Kit options.

### 30" PIE CONNECTORS

Model No.	Dimensions	Wt.	LPL List Price "T" Suffix	HPL List Price "H" Suffix T-Mold List Price "T, K or R" Suffix
P3030	30" x 30° Pie	8#	\$217	\$243
P6030	30" x 60° Pie	16#	\$229	\$255
P9030	30" x 90° Pie	22#	\$243	\$269

DESKING  
CASEGOODS  
CONFERENCE & TRAINING TABLES  
SEATING  
STORAGE & FILING  
SPECIALTY SOLUTIONS  
COM FORMS  
PRODUCT INDEX

**T-MATE TABLES**



**TRANSITION TABLES**

Model No.	Dimensions	Wt.	LPL List Price "T" Suffix	HPL List Price "H" Suffix T-Mold List Price "T, K or R" Suffix
PTS18	Starter, 36 1/2"W x 18"D	40#	\$521	\$574
PTA18	Adder, 36 1/2"W x 18"D	32#	\$325	\$392
PTS24	Starter, 48"W x 24"D	50#	\$587	\$640
PTA24	Adder, 48"W x 24"D	42#	\$521	\$574
PTS30	Starter, 59 1/2"W x 30"D	60#	\$678	\$718
PTA30	Adder, 59 1/2"W x 30"D	52#	\$613	\$652

**UNIVERSAL GANGING ACCESSORY – designed to connect two table edges together.**

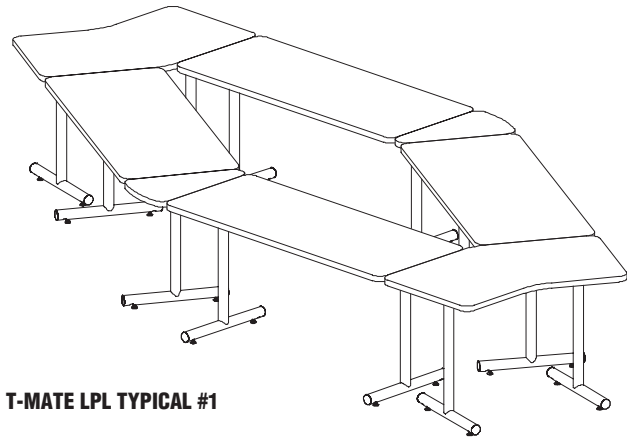
Model No.	Description	Wt.	List Price
10GA	Universal Ganging Accessory	1#	\$50

\* Ganging Accessory not available for 18" tables.

**OPTIONAL STEEL MODESTY PANEL**

Model No.	Description	List Price
MOD48	For 48" Rectangular Table & 30" Transition Table	\$208
MOD60	For 60" Rectangular Table	\$220
MOD72	For 72" Rectangular Table	\$247
MODTT	For 24" Transition Table	\$234

**T-MATE TYPICALS**



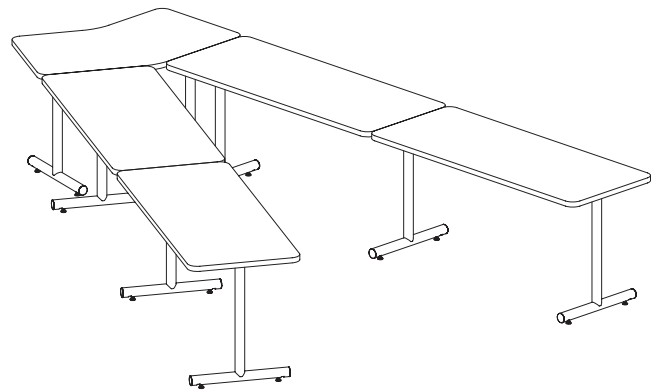
**T-MATE LPL TYPICAL #1**

Consists of:

QTY.	MODEL NO.	DESCRIPTION	LIST PRICE EACH
4	PRS6024T	Starter, 60" x 24" Rectangular	\$587
2	PTS24T	Starter, 24" Transition	\$587
2	P3024T	24" x 30" Pie	\$217
4	10GA	Ganging Kit	\$50

**TMATE1**

**TOTAL: \$4156**



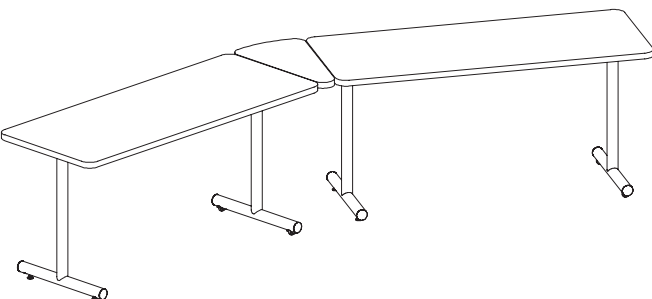
**T-MATE LPL TYPICAL #2**

Consists of:

QTY.	MODEL NO.	DESCRIPTION	LIST PRICE EACH
2	PRS6024T	Starter, 60" x 24" Rectangular	\$587
2	PRA6024T	Adder, 60" x 24" Rectangular	\$443
1	PTS24T	Starter, 24" Transition	\$587
2	10GA	Ganging Kit	\$50

**TMATE2**

**TOTAL: \$2748**



**T-MATE LPL TYPICAL #3**

Consists of:

QTY.	MODEL NO.	DESCRIPTION	LIST PRICE EACH
2	PRS6024T	Starter, 60" x 24" Rectangular	\$587
1	P3024T	24" x 30" Pie	\$217

**TMATE3**

**TOTAL: \$1391**

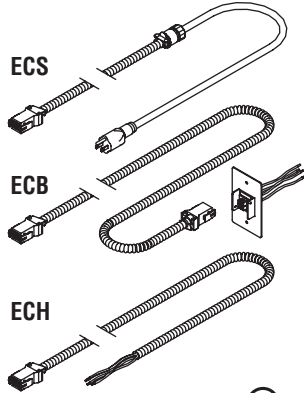
# TRAINING TABLE POWER OPTIONS

- UL Listed Components
- Non-sequential connections
- Convenient kits provide easy specifying
- Electrical Kits may interfere with the Flip-N-Go nesting feature.
- See Power Infeed Option section for limitations of number of linked tables.

- It is the customer's responsibility to ensure that the use of electrical systems, including the number of receptacles on a given circuit and connection to a building power source, be in compliance with all electrical codes.

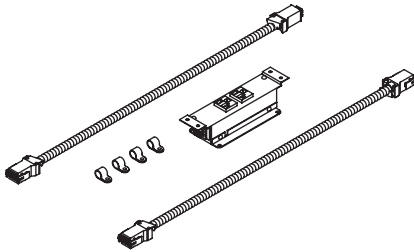
## POWER INFEEED OPTIONS

**NOTE:** Power Infeed Option must be added to the first table in a run.



Model No.	Description	List Price
ECS	72" Corded Starter Limit 10 tables linked	\$257
ECB	Quick Disconnect block & 72" cable with black wrap Limit 20 tables linked	\$245
ECH	Hardwire Infeed, 72" w/black wrap Limit 20 tables linked	\$166

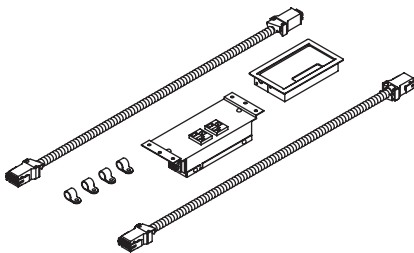
## UNDERSURFACE KITS



Model No.	Description	List Price
EC48UB	48" Table Kit – Block consisting of 2 power receptacles, 2 interconnecting table cables, 4 cable clamps	\$392
EC54UB	54" Table Kit – Block consisting of 2 power receptacles, 2 interconnecting table cables, 4 cable clamps	\$392
EC60UB	60" Table Kit – Block consisting of 2 power receptacles, 2 interconnecting table cables, 4 cable clamps	\$392
EC66UB	66" Table Kit – Block consisting of 2 power receptacles, 2 interconnecting table cables, 4 cable clamps	\$392
EC72UB	72" Table Kit – Block consisting of 2 power receptacles, 2 interconnecting table cables, 4 cable clamps	\$392

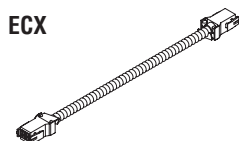
## SURFACE MOUNT KITS

- Manufactured cutouts now standard on select training tables. Applies to select Meeting Plus, Sync, Flip-N-Go and T-Mate tables.
- Grommet holes can also be field installed – 5 1/4" x 3" cutout in worksurface required.



Model No.	Description	List Price
EC48FB	48" Table Kit – Black – Black Flush Grommet, base with 2 power receptacles, 2 interconnecting cables, 4 cable clamps	\$521
EC48FS	48" Table Kit – Silver – Silver Flush Grommet, base with 2 power receptacles, 2 interconnecting cables, 4 cable clamps	\$521
EC54FB	54" Table Kit – Black – Black Flush Grommet, base with 2 power receptacles, 2 interconnecting cables, 4 cable clamps	\$521
EC54FS	54" Table Kit – Silver – Silver Flush Grommet, base with 2 power receptacles, 2 interconnecting cables, 4 cable clamps	\$521
EC60FB	60" Table Kit – Black – Black Flush Grommet, base with 2 power receptacles, 2 interconnecting cables, 4 cable clamps	\$521
EC60FS	60" Table Kit – Silver – Silver Flush Grommet, base with 2 power receptacles, 2 interconnecting cables, 4 cable clamps	\$521
EC66FB	66" Table Kit – Black – Black Flush Grommet, base with 2 power receptacles, 2 interconnecting cables, 4 cable clamps	\$521
EC66FS	66" Table Kit – Silver – Silver Flush Grommet, base with 2 power receptacles, 2 interconnecting cables, 4 cable clamps	\$521
EC72FB	72" Table Kit – Black – Black Flush Grommet, base with 2 power receptacles, 2 interconnecting cables, 4 cable clamps	\$521
EC72FS	72" Table Kit – Silver – Silver Flush Grommet, base with 2 power receptacles, 2 interconnecting cables, 4 cable clamps	\$521

## EXTENSION OPTION



Model No.	Description	List Price
ECX	12" Extension Cable	\$89

# TRANSACTION™

## CONFERENCE TABLES

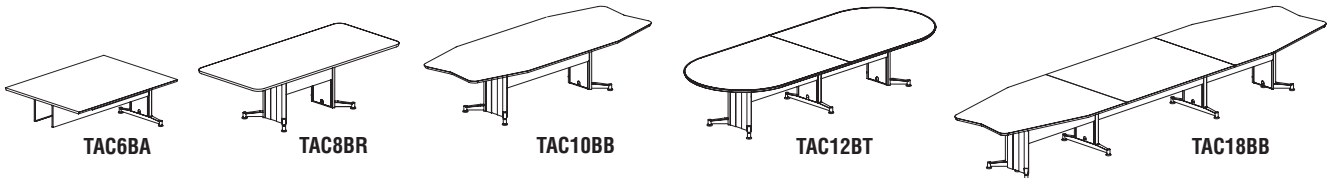


TransAction's great style and smart design is perfect for today's multi-media conference rooms. Full size tables in three shapes in over 600 high-pressure laminates to complete your high-tech conference room. A full technology trough and surface opening with floating acrylic cover allow the power and data required for today's tech intensive meetings to be easily accessible yet concealed.

- Three shapes of conference surfaces: Boat-shaped, Rectangular, Racetrack
- Stylish heavy steel base and leg panels available in Mayline Corporate colors including new Tech Silver with leg inserts to match the table surface laminate or veneer.
- Tops constructed of 1 1/8" thick high-pressure laminate with knife-edge T-mold. Biltmore Cherry and Witchcraft laminates match Aberdeen Conference Accessories.
- Technology intensive table includes under-table trough and surface opening with acrylic cover; basic table also available without technology trough.
- 8' and 10' tables have two starter legs with one trough opening/cover; 12' table has two starter legs, one adder support leg and two trough openings/covers. Additional support leg and trough opening/cover per 6' section.
- All tables 29.5" in height.
- Power and data components ordered separately.

### BASIC TABLES – HPL – No technology trough or opening. Preconfigured Power Kits CANNOT be installed.

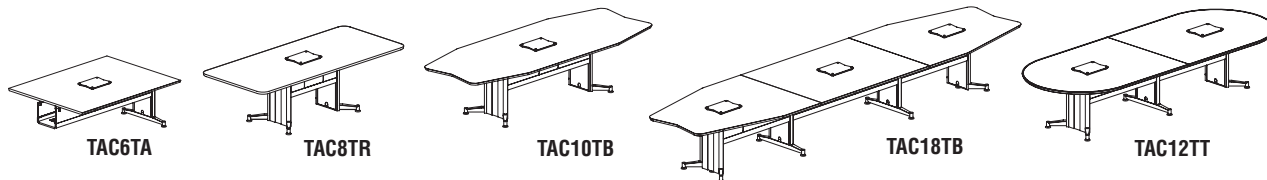
Model No.	Description	Weight	Suggested Seating Capacity	List Price
<b>TAC8BB</b>	96" x 42" Boat-Shaped	229#	6-8	\$3047
<b>TAC8BR</b>	96" x 42" Rectangular	229#	6-8	\$3047
<b>TAC8BT</b>	96" x 42" Racetrack	229#	6-8	\$3047
<b>TAC10BB</b>	120" x 48" Boat-Shaped	311#	8-10	\$3808
<b>TAC10BR</b>	120" x 48" Rectangular	311#	8-10	\$3808
<b>TAC10BT</b>	120" x 48" Racetrack	311#	8-10	\$3808
<b>TAC12BB</b>	144" x 54" Boat-Shaped	400#	10-12	\$5090
<b>TAC12BR</b>	144" x 54" Rectangular	400#	10-12	\$5090
<b>TAC12BT</b>	144" x 54" Racetrack	400#	10-12	\$5090
<b>TAC18BB</b>	216" x 54" Boat-Shaped	591#	14-16	\$7298
<b>TAC18BR</b>	216" x 54" Rectangular	591#	14-16	\$7298
<b>TAC18BT</b>	216" x 54" Racetrack	591#	14-16	\$7298
<b>TAC24BB</b>	288" x 54" Boat-Shaped	782#	16-20	\$9506
<b>TAC24BR</b>	288" x 54" Rectangular	782#	16-20	\$9506
<b>TAC24BT</b>	288" x 54" Racetrack	782#	16-20	\$9506
<b>TAC6BA</b>	72" x 54" Complete Adder – Applicable to any shape top	191#	2-4	\$2208



## TRANSACTION™ SERIES CONFERENCE TABLES

### TECHNOLOGY INTENSIVE HPL TABLES

Model No.	Description	Weight	Suggested Seating Capacity	List Price
<b>TAC8TB</b>	96" x 42" Boat-Shaped	229#	6-8	\$4296
<b>TAC8TR</b>	96" x 42" Rectangular	229#	6-8	\$4296
<b>TAC8TT</b>	96" x 42" Racetrack	229#	6-8	\$4296
<b>TAC10TB</b>	120" x 48" Boat-Shaped	311#	8-10	\$5374
<b>TAC10TR</b>	120" x 48" Rectangular	311#	8-10	\$5374
<b>TAC10TT</b>	120" x 48" Racetrack	311#	8-10	\$5374
<b>TAC12TB</b>	144" x 54" Boat-Shaped	440#	10-12	\$7695
<b>TAC12TR</b>	144" x 54" Rectangular	440#	10-12	\$7695
<b>TAC12TT</b>	144" x 54" Racetrack	440#	10-12	\$7695
<b>TAC18TB</b>	216" x 54" Boat-Shaped	669#	14-16	\$10680
<b>TAC18TR</b>	216" x 54" Rectangular	669#	14-16	\$10680
<b>TAC18TT</b>	216" x 54" Racetrack	669#	14-16	\$10680
<b>TAC24TB</b>	288" x 54" Boat-Shaped	898#	16-20	\$13489
<b>TAC24TR</b>	288" x 54" Rectangular	898#	16-20	\$13489
<b>TAC24TT</b>	288" x 54" Racetrack	898#	16-20	\$13489
<b>TAC6TA</b>	72" x 54" Complete Adder – Applicable to any shape top	229#	2-4	\$2985



DESKING  
CASEGOODS  
CONFERENCE & TRAINING TABLES  
SEATING  
STORAGE & FILING  
SPECIALTY SOLUTIONS  
COM FORMS  
PRODUCT INDEX

# NEW TRANSACTION™ MEDIA TABLES

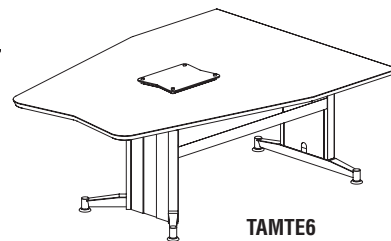
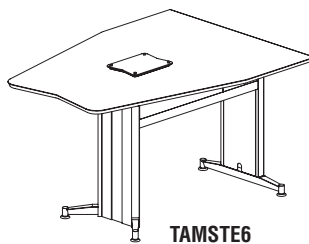
TransAction's boat-shaped Media Table offers a perfect solution for collaborative meetings requiring data and power connectivity and flexibility.

- Boat-shaped table available in Standing Height 42" or Sitting Height 29 1/2".
- Models available with or without power and data package.
- Optional power and data package includes:
  - 1—Single technology well power kit – single circuit
  - 3—Telecom plates – RJ11 CAT3 Phone and RJ45 CAT6 Data, USB, USB & 15 Pin-HD VGA F/F
  - 1—Plug-in power cord infeed 72" long – single circuit
- Other telecom plate options available as well as hardwire infeed. Call Ext. 222 in Customer Service for assistance.
- Contemporary styling, durable construction at an affordable price.
- Heavy-gauge steel table frames.
- Available in all Mayline high-pressure laminate surfaces.
- Biltmore Cherry and Witchcraft laminates match Aberdeen Conference Accessories.
- Limited Lifetime Warranty.

Model No.	Description	Wt.	List Price
<b>TAMST6</b>	54"W x 72"L x 42"H Standing Height Table	254#	\$4269
<b>TAMSTE6</b>	54"W x 72"L x 42"H Standing Height Table w/ power and data package	269#	\$5312
<b>TAMT6</b>	54"W x 72"L x 29 1/2"H Sitting Height Table	229#	\$3881
<b>TAMTE6</b>	54"W x 72"L x 29 1/2"H Sitting Height Table w/ power and data package	244#	\$4924



*TransAction Media Table shown with Aberdeen Conference Accessories.*



# TRANSACTION™

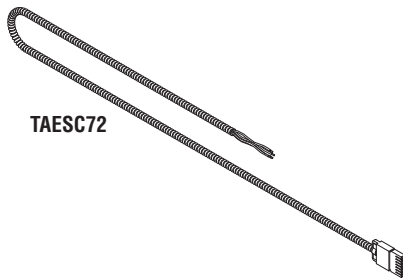
## CONFERENCE TABLE POWER/TELECOM OPTIONS

- UL Recognized and CSA Certified Components.
- Convenient kits provide easy specifying.
- Ten Telecom Plate Options sold individually; others available upon request.
- Power and Telecom Plates are installed in trough panel.
- Additional options available upon special request to meet your requirements.
- Kits must be used with Mayline Hardwire Starter Cable.
- **Power Kits CANNOT be installed into Basic TransAction Conference Tables.**
- It is the customer's responsibility to ensure that the use of electrical systems, including the number of receptacles on a given circuit, and connection to building power source, be in compliance with all electrical codes.

### POWER INFEEED OPTIONS

- All circuits rated for 20 AMPS and are energized; includes female connector, length of flex cable and box connector.
- Up to 10 power blocks can be linked per hardwire cable.

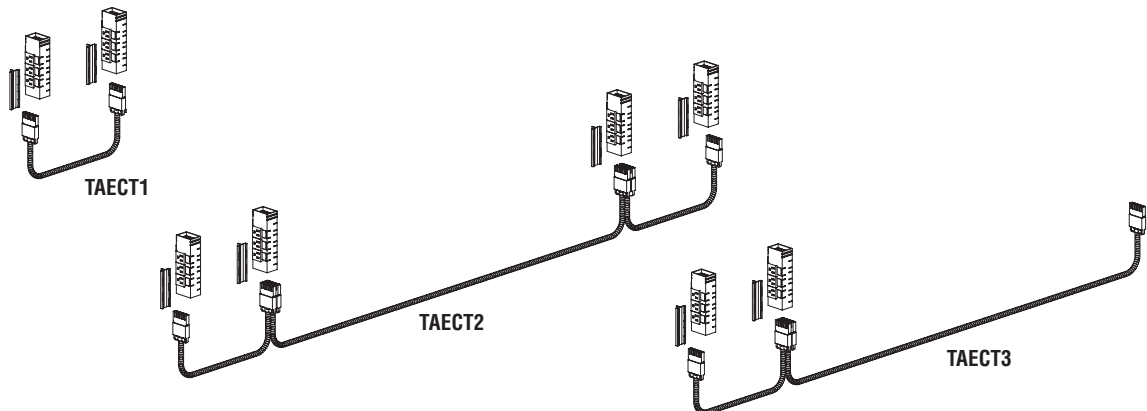
Model No.	Description	List Price
TAESC72	72" Hardwire Starter Cable	\$178
TAESC108	108" Hardwire Starter Cable	\$230
TAESC144	144" Hardwire Starter Cable	\$281



TAESC72

### PRECONFIGURED CONFERENCE POWER KITS

Model No.	Description	List Price
TAECT1	Single Technology Well Kit - for Single Well 8' and 10' Technology Conference Tables. (2) Double sided power block with circuit 1, 2 and IG receptacles on each side, (2) mounting bracket for block, (1) 24" 8 wire 4 circuit interconnecting cable.	\$426
TAECT2	Dual Technology Well Kit - for 12' Dual Well Technology Conference Tables or larger. (4) Double sided power block with circuit 1, 2 and IG receptacles on each side, (2) mounting bracket for block, (2) 26" 8 wire 4 circuit interconnecting cable, (1) 68" 8 wire 4 circuit interconnecting cable, (1) simplex removal tool.	\$1020
TAECT3	6' Adder Conference Table Kit - add one Kit for each 6' Adder plus one TAECT2. (2) Double sided power block with circuit 1, 2 and IG receptacles on each side, (2) mounting bracket for block, (1) 26" 8 wire 4 circuit interconnecting cable, (1) 68" 8 wire 4 circuit interconnecting cable. (For example: a TAC24TB will require one TAECT2 Kit and two TAECT3 Kits.)	\$596



TAECT1

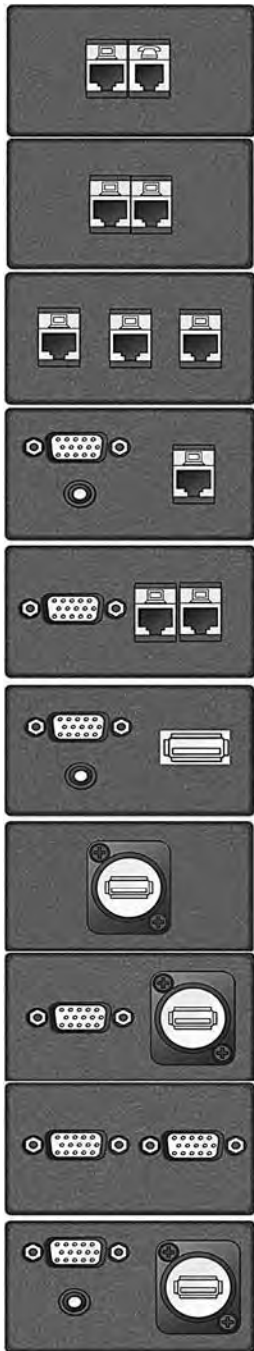
TAECT2

TAECT3



## INDIVIDUAL TELECOM PLATE OPTIONS

- Ten commonly used telecom connections are offered to complete the technology requirements of TransAction conference tables and TransAction desking data channels.
- Two (48" channel) and three (60" and 72" channel) openings per side of data channel.
- Black only.
- Common Telecom Definitions:
  - HDMI** (High Definition Multi-Media Interface) – Used to stream video on devices such as televisions or Blu-Ray DVD players.
  - 15 pin HD VGA F/F** (High Definition Video Graphics Array) – Used to stream video usually found on a laptop or projector.
  - Mini Stereo Inline Audio Connection** (also called a 1/8" phone jack or headphone jack) – Runs audio from computers and mp3 players.
  - USB** (Universal Serial Bus) – Connects computer peripherals such as mouse or keyboard to a computer.
- **Additional options available upon request.**

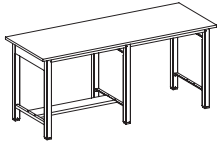


Model No.	Description	List Price
TAETP1	Telecom Plate with RJ11Cat3 Phone and RJ45 CAT6 Data	\$114
TAETP2	Telecom Plate with 2 RJ45 Cat6 Data	\$150
TAETP3	Telecom Plate with 3 RJ45 Cat6 Data	\$220
TAETP4	Telecom Plate with RJ45 Cat6 Data, Mini Stereo Inline, and 15 Pin HD, VGA F/F	\$249
TAETP5	Telecom Plate with 2 RJ45 Cat6 Data and 15 Pin HD VGA F/F	\$271
TAETP6	Telecom Plate with 1 HDMI F/F, 1 Mini Stereo Inline and 1 15 Pin, HD VGA F/F	\$331
TAETP7	Telecom Plate with USB Inline	\$64
TAETP8	Telecom Plate with USB Inline and 15 Pin HD VGA F/F	\$185
TAETP9	Telecom Plate with 2 - 15 Pin HD VGA F/F	\$252
TAETP10	Telecom Plate with USB Inline, 15 Pin HD VGA F/F, and Mini Stereo Inline	\$233

# RANGER TEAM TABLES

Mayline's Ranger Table is the perfect solution for project or other team meetings. The Team Table has the same great strength and quality as our standard Ranger drafting table which is the result of over 50 years of experience in the drafting industry. A variety of storage under the standing height table can house project or meeting materials.

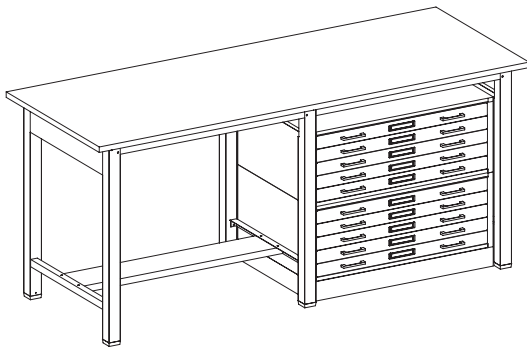
- Rectangular shape 36"D x 96"W x 42"H.
- Heavy-duty steel base provides strength and stability and is available as standard in Mayline Corporate colors.
- High pressure laminate top with 3mm edge banding.
- All Mayline Corporate color HPLs available from Wilsonart, Nevemar and Pionite.
- Custom colors for storage or table elements available upon request with an extended lead time. Please call Customer Service for a quotation.



Model No.	Description	Wt.	List Price
<b>7760</b>	36"D x 96"W x 42"H Ranger Base Standing Height Table Interior Frame Dimensions 23"D x 41 1/4"W per Leg Section (85 1/2"W overall) x 39"H	170#	\$2143

The Ranger Team Table can be used with Mayline Plan Files, Lateral Files and Bookcases to store a variety of team and project materials. Refer to interior table dimensions to verify how many units will fit beneath the table. Please contact Customer Service with questions.

## RANGER TEAM TYPICALS



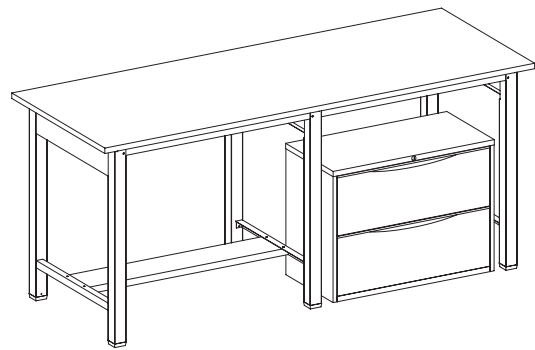
**RANGER TEAM TYPICAL #1** – Any combination of Interlocking Files can be used – 7 1/2" Drawers, 5-Drawer and 10-Drawer models as seen in the Price List page 323.

Consists of:

QTY.	MODEL NO.	DESCRIPTION	LIST PRICE EACH
1	<b>7760</b>	Team Table	\$2143
1	<b>7767U</b>	Steel Cap	\$512
1	<b>7767W</b>	Flush Base	\$353
2	<b>7767</b>	5-Drawer Files	\$2215

**RTT1**

**TOTAL: \$7439**



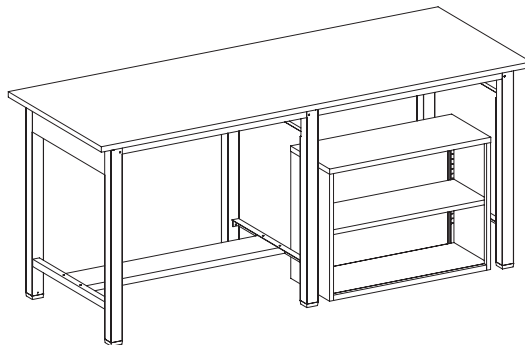
**RANGER TEAM TYPICAL #2** – Back-to-back laterals would extend beyond the leg structure of the table.

Consists of:

QTY.	MODEL NO.	DESCRIPTION	LIST PRICE EACH
1	<b>7760</b>	Team Table	\$2143
1	<b>C841H</b>	Lateral File	\$852

**RTT2**

**TOTAL: \$2995**



**RANGER TEAM TYPICAL #3**

Consists of:

QTY.	MODEL NO.	DESCRIPTION	LIST PRICE EACH
1	<b>7760</b>	Team Table	\$2143
1	<b>CBC2</b>	Bookcase	\$326

**RTT3**

**TOTAL: \$2469**

# CSII CONFERENCE TABLES



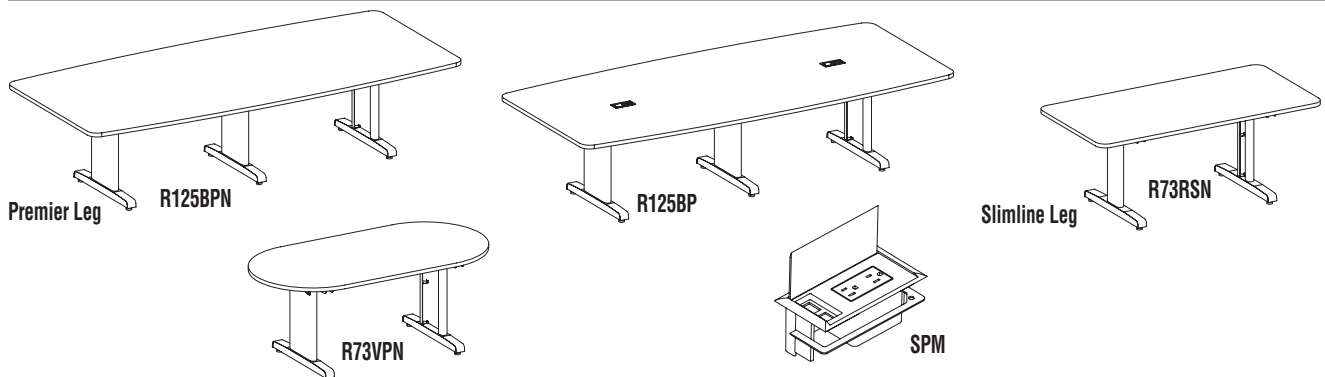
## CSII CONFERENCE TABLES

Full-size conference tables with optional power and data modules designed for optional power and data access to operate computers and presentation equipment during meetings.

- Three shapes of conference surfaces: Racetrack, Boat, and Rectangular.
- All tables are 29"H overall.
- Table legs are constructed of 14 gauge steel and available in Mayline's standard black finish.
- Tops constructed of 1 1/8" thick high pressure laminate with t-mold edge.
- Tables can be ordered with black grommets.
- If ordering optional power module, table must be ordered with grommets.
- Slimline legs are 7"W and Premier legs are 13"W. Both have integrated cable channels within table legs.
- All tables standard with two legs, except for 120" with three legs.
- **Base Finish:** List prices shown are for black base finish. The bases can be finished in any other standard finish for a \$50 list upcharge. Add a "C" suffix after the model number and specify standard finish.
- **Work surfaces available in the six e5 colors; see box on page 37 for details.**

Model No.	Description	Slimline Leg Grommets (+S) List Price	Slimline Leg No Grommets (+SN) List Price	Premier Leg Grommets (+P) List Price	Premier Leg No Grommets (+PN) List Price
R73R	72" x 36" Rectangular	\$1248	\$1157	\$1338	\$1302
R73B	72" x 36" Boat-Shaped	\$1248	\$1157	\$1338	\$1302
R73V	72" x 36" Racetrack	\$1248	\$1157	\$1338	\$1302
R84R	84" x 42" Rectangular	\$1408	\$1373	\$1460	\$1425
R84B	84" x 42" Boat-Shaped	\$1408	\$1373	\$1460	\$1425
R84V	84" x 42" Racetrack	\$1408	\$1373	\$1460	\$1425
R94R	96" x 48" Rectangular	\$1442	\$1408	\$1495	\$1461
R94B	96" x 48" Boat-Shaped	\$1442	\$1408	\$1495	\$1461
R94V	96" x 48" Racetrack	\$1442	\$1408	\$1495	\$1461
R95R	96" x 54" Rectangular	\$1478	\$1442	\$1534	\$1496
R95B	96" x 54" Boat-Shaped	\$1478	\$1442	\$1534	\$1496
R95V	96" x 54" Racetrack	\$1478	\$1442	\$1534	\$1496
R104R	108" x 48" Rectangular	\$1644	\$1610	\$1716	\$1679
R104B	108" x 48" Boat-Shaped	\$1644	\$1610	\$1716	\$1679
R104V	108" x 48" Racetrack	\$1644	\$1610	\$1716	\$1679
R105R	108" x 54" Rectangular	\$1774	\$1740	\$1845	\$1811
R105B	108" x 54" Boat-Shaped	\$1774	\$1740	\$1845	\$1811
R105V	108" x 54" Racetrack	\$1774	\$1740	\$1845	\$1811
R124R	120" x 48" Rectangular	\$1901	\$1864	\$1971	\$1936
R124B	120" x 48" Boat-Shaped	\$1901	\$1864	\$1971	\$1936
R124V	120" x 48" Racetrack	\$1901	\$1864	\$1971	\$1936
R125R	120" x 54" Rectangular	\$2006	\$1971	\$2076	\$2042
R125B	120" x 54" Boat-Shaped	\$2006	\$1971	\$2076	\$2042
R125V	120" x 54" Racetrack	\$2006	\$1971	\$2076	\$2042

Model No.	Description	List Price
SPM	Optional Power Module [includes RJII-Cat 3 coupler (phone) and RJ45-Cat3 coupler (data)] – 6' power cord.	\$273



# GENEVA CONFERENCE TABLES

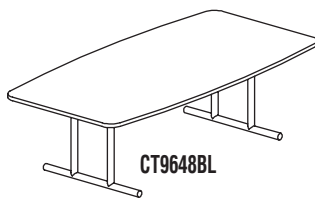
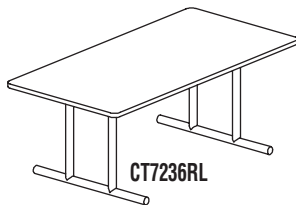
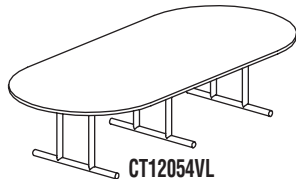


## GENEVA CONFERENCE TABLES

Full-size conference tables featuring sturdy tubular steel bases with high-pressure laminate surfaces.

### Specifications

- Three shapes of conference surfaces: Racetrack, Boat, and Rectangular, with Chrome or Black heavy gauge tubular steel bases.
- Two shapes of occasional surfaces: Full Round and 3-Sided, with Black heavy gauge tubular steel base.
- High pressure laminate surfaces with durable T-mold edge. Threaded metal-to-metal connections allow for quick installations.
- All tables 29"H overall.
- All tables priced standard with two legs, except for 120" with three legs.
- Limited quantities available on all models.



Model No.	Description	Wt.	List Price
<b>CT7236RL</b>	72" x 36" Rectangular Surface	95#	\$1250
<b>CT7236BL</b>	72" x 36" Boat Surface	95#	\$1250
<b>CT7236VL</b>	72" x 36" Racetrack Surface	95#	\$1250
<b>CT9648RL</b>	96" x 48" Rectangular Surface	165#	\$1408
<b>CT9648BL</b>	96" x 48" Boat Surface	165#	\$1408
<b>CT9648VL</b>	96" x 48" Racetrack Surface	165#	\$1408
<b>CT9654RL</b>	96" x 54" Rectangular Surface	185#	\$1443
<b>CT9654BL</b>	96" x 54" Boat Surface	185#	\$1443
<b>CT9654VL</b>	96" x 54" Racetrack Surface	185#	\$1443
<b>CT10848RL</b>	108" x 48" Rectangular Surface	185#	\$1549
<b>CT10848BL</b>	108" x 48" Boat Surface	185#	\$1549
<b>CT10848VL</b>	108" x 48" Racetrack Surface	185#	\$1549
<b>CT10854RL</b>	108" x 54" Rectangular Surface	210#	\$1689
<b>CT10854BL</b>	108" x 54" Boat Surface	210#	\$1689
<b>CT10854VL</b>	108" x 54" Racetrack Surface	210#	\$1689
<b>CT12048RL</b>	120" x 48" Rectangular Surface	210#	\$1864
<b>CT12048BL</b>	120" x 48" Boat Surface	210#	\$1864
<b>CT12048VL</b>	120" x 48" Racetrack Surface	210#	\$1864
<b>CT12054RL</b>	120" x 54" Rectangular Surface	235#	\$1971
<b>CT12054BL</b>	120" x 54" Boat Surface	235#	\$1971
<b>CT12054VL</b>	120" x 54" Racetrack Surface	235#	\$1971
<b>CT42RL</b>	42" Round Surface	75#	\$1055
<b>CT48RL</b>	48" Round Surface	95#	\$1091
<b>CT3SL</b>	39" 3-Sided Surface	75#	\$985

# ACCESSORIES

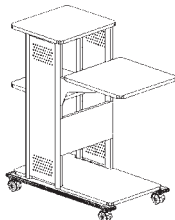


- All models in all finishes are available on both the Kwik-Ship and Fast Freight delivery programs with no quantity limitations.

## PRESENTATION STAND

- Designed to support laptops, overhead projector, or LCD projector.
- Top surface is 38 1/2"H providing a comfortable position for standing presentations.
- Front surface supporting projectors is adjustable to three positions on 4"H increments from 30 1/2"-38 1/2"H.
- Standard casters, two locking.
- Rugged steel frame construction with attractive perforated leg detail. All threaded, metal-to-metal connections.

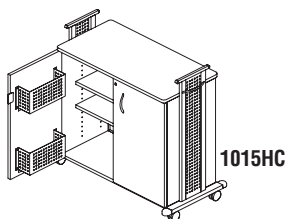
**Standard Finishes:** Black frame with reversible Anthracite/Folkstone surfaces **only**.



Model No.	Dimensions	Wt.	List Price
1010PC	18 1/2"W x 36"D x 38 1/2"H	75#	\$622

## HOSPITALITY CART

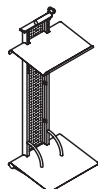
- Consistent design details with the 1010PC and 1010AV.
- Comes standard with two adjustable shelves.
- Locking casters provide easy mobility.
- Left-side door has two perforated steel storage pockets sized perfectly for 2 liter bottles.
- Easy to assemble using quarter-turn cam fasteners.
- Doors have self-closing cabinet hinges, attractive door pull, and standard lock.
- Handle provided on both left and right legs at a comfortable operating height.
- **Standard Finishes:** Black frame with Anthracite surfaces and shelves.



Model No.	Dimensions	Wt.	List Price
1015HC	45 1/2"L x 21 3/4"W x 42 3/4"H	150#	\$972

## LIGHTED LECTERN

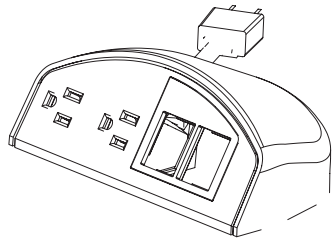
- Consistent design details with the 1010PC, 1010AV and Hospitality Cart.
- All steel construction.
- Perforated column detail.
- Platform height adjusts from 33" to 47" in 1" increments without use of tools or knobs.
- Platform at 25° tilt.
- Platform is 21"W x 16"D with paper stop.
- Light included – 25 watt, UL approved, 8' cord.
- Integrated wheels for easy mobility.
- Ships UPS.
- **Standard Finish:** Black only.



Model No.	Dimensions	Wt.	List Price
1050LT	22"W x 18"D x 51"H	24#	\$722

## POWER/DATA MODULE

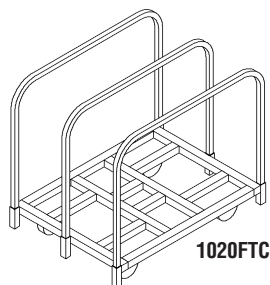
- UL Listed
- Assembles easily to table tops maximum top thickness: 1 1/4".
- Adaptable voice and data connections to meet most applications.
- Compatible with all commonly used Cat 3, Cat 5, Cat 5e, and Cat 6 jacks.
- 2 data jacks and power outlets.
- 72" 15 amp cord.
- Available in Black only.
- Ships UPS.



Model No.	Dimensions	Wt.	List Price
<b>350190</b>	6 1/4"W x 2 1/2"H	3#	\$210

## FOLDING TABLE CART

- Holds up to four folded tables
- Fits easily through standard doorways
- Removable handles for ease of loading and unloading
- Contact surfaces protected with a durable coating
- Heavy-duty, industrial casters for ease of mobility
- **Standard Finish:** Black

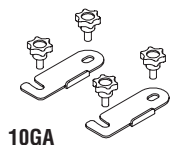


1020FTC

Model No.	Dimensions	Wt.	List Price
<b>1020FTC</b>	27 1/2"W x 38 1/2"L x 34"H	68#	\$1339

## UNIVERSAL TABLE GANGING KIT

- Designed to connect two table edges together, regardless of T-Mold style.



10GA

Model No.	Dimensions	Wt.	List Price
<b>10GA</b>	3 3/4"W x 1 1/2"D x 1"H	1#	\$50

## GROMMETS

- Available in Black, Taupe, Ice Gray or Warm Gray.
- Field installed grommet holes required.

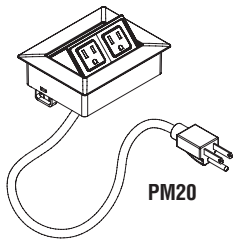


F740

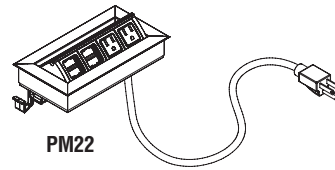
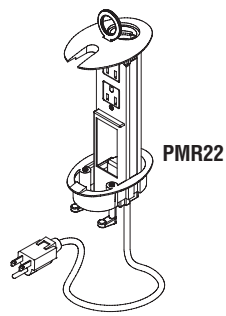
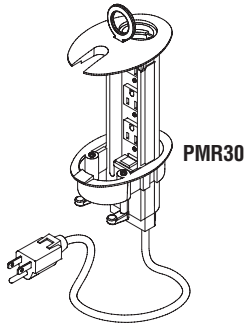
Model No.	Description	Dimensions	Wt.	List Price
<b>F740</b>	Grommet	2 3/4"W x 2 1/8"D	1#	\$24

**POWER & DATA**

- Power & Data options can easily be attached to Training Table Tops.
- Field installed grommet holes required.



Model No.	Description	Dimensions	Wt.	List Price
<b>PM20</b>	Black, 2 Power Outlets	5 3/8"W x 4 1/4"D	2 1/2#	\$293
<b>PMR30</b>	Black Tower, 3 Power Outlets	3"W x 4 1/2"D x 8"H	1 1/2#	\$196
<b>PMR22</b>	Power & Data with 2 Power & 2 Data	3"W x 4 1/2"D x 8"H	3#	\$187
<b>PM22</b>	Power & Data with 2 Power & 2 Data	8 1/2"W x 4 3/8"D	3#	\$446





# SEATING

---



---

**Ultimo™ Leather Series**  
**Mercado™ Leather Series**  
**Mercado™ Wood Series**  
**Bistro Series™**  
**Comfort Series**  
**Comfort Series Big & Tall**  
**Technical Series**  
**Valoré® Training Series**  
**Commute™ Series**  
**Lounge Seating**

DESKING

CASEGOODS

CONFERENCE &  
TRAINING TABLES

SEATING

STORAGE &  
FILING

SPECIALTY  
SOLUTIONS

COM  
FORMS

PRODUCT  
INDEX

# ULTIMO LEATHER SERIES



Soft and supple top-grain leather defines these luxurious yet economical choices of seating for the office and conference room. Generous-sized deep cushions feature sculpted padding for support. Padded leather armrests add to comfort.

- Top grain cowhide leather on all seated surfaces.
- 250 lb. rating.
- Some assembly required.
- All Ultimo Chairs available on the 72-hour Kwik-Ship program.
- Molded foam for plush, comfortable feel.
- All Ultimo Chairs can ship via small parcel. See Terms & Conditions.
- Due to the density of the foam, the seating range may vary by 1/2" in either direction.
- All models in all finishes are available on both the Kwik-Ship and Fast Freight delivery programs with no quantity limitations.

## SERIES 100

### HIGH-BACK



ULEX

- Generously-sized sculpted deep cushions.
- Padded leather cantilevered armrests.
- Deluxe knee-tilt control.
- **Finishes:** Black/Gunmetal Gray Frame  
Burgundy/Gunmetal Gray Frame

Model No.	Outside Dimensions	Seated Area Dimensions	Seat Height	Wt.	List Price
ULEX	31"W x 32"D x 48"-51"H	20"W x 20"D x 30"H	19"-22"	75#	\$1162

### MID-BACK

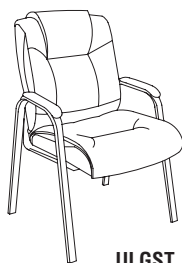


ULMGR

- Sculpted cushions.
- Padded leather loop armrests.
- Deluxe knee-tilt control.
- **Finishes:** Black/Gunmetal Gray Frame  
Burgundy/Gunmetal Gray Frame\*
- \*Note: Limited quantities available.

Model No.	Outside Dimensions	Seated Area Dimensions	Seat Height	Wt.	List Price
ULMGR	27"W x 30"D x 39"-42"H	21"W x 20"D x 24"H	19"-22"	60#	\$962

### GUEST



ULGST

- Sculpted cushions.
- Padded leather armrests.
- Tubular steel frame.
- **Finishes:** Black/Gunmetal Gray Frame  
Burgundy/Gunmetal Gray Frame\*
- \*Note: Limited quantities available.

Model No.	Outside Dimensions	Seated Area Dimensions	Seat Height	Wt.	List Price
ULGST	24"W x 28"D x 38"H	20"W x 19"D x 20"H	20"	35#	\$699

## SERIES 200

### MID-BACK



UL230M

- Ultra soft, perforated leather cushions.
- Padded leather loop armrests.
- Deluxe knee-tilt control.
- **Finishes:** Black/Gunmetal Gray Frame

Model No.	Outside Dimensions	Seated Area Dimensions	Seat Height	Wt.	List Price
UL230M	27"W x 29 1/2"D x 40 1/4"-43 1/4"H	21"W x 20"D x 23"H	20 1/4"-23 1/4"H	55#	\$916

## SERIES 300

### HIGH-BACK



UL350H

- Thickly padded contoured leather seat and back.
- Padded leather loop armrests.
- Deluxe knee-tilt control.
- Pronounced lumbar support.
- **Finishes:** Black/Slate Frame  
Burgundy/Slate Frame\*
- \***Note:** Limited quantities available.

Model No.	Outside Dimensions	Seated Area Dimensions	Seat Height	Wt.	List Price
UL350H	26 3/4"W x 29 1/2"D x 42 1/2"-45 1/2"H	20 1/2"W x 19 3/4"D x 25 1/4"H	20 1/4"-23 1/4"H	64#	\$1039

### MID-BACK WITH SYNCHRO-TILT



UL330M

- Same features as UL350H but with 2-to-1 synchro-tilt control.
- Adjustable height and width, padded leather armrests.
- **Finishes:** Black/Slate Frame  
Burgundy/Slate Frame\*
- \***Note:** Limited quantities available.

Model No.	Outside Dimensions	Seated Area Dimensions	Seat Height	Wt.	List Price
UL330M	24 1/2"-26 1/2"W x 24 1/2"D x 38 1/2"-41 1/2"H	20 3/4"W x 18"D x 19"H	19 1/2"-22 1/2"H	61#	\$864

## SERIES 500

### EZ-ASSEMBLE HIGH-BACK



UL550HEZ

- Easy to assemble, no tools required.
- Accented with gathered seams on seat and back.
- Padded leather loop armrests.
- Does not ship UPS.
- Durable steel frame construction.
- **Finishes:** Black/Slate Frame

Model No.	Outside Dimensions	Seated Area Dimensions	Seat Height	Wt.	List Price
UL550HEZ	26 1/2"W x 30"D x 46 1/4"-49 1/4"H	20 3/4"W x 20"D x 25 3/4"H	20 1/2"-23 1/2"H	63#	\$1163

# MERCADO LEATHER SERIES


**FAST Freight**

Soft and supple leather defines these comfortable and luxurious yet economical choices of seating for the office and conference room.

- Genuine leather on all seated surfaces.
- All Mercado Chairs available on the 72-hour Kwik-Ship program.
- All Mercado Chairs can ship small parcel. See Terms & Conditions.
- Due to the density of the foam, the seating range may vary by 1/2" in either direction.
- All models in all finishes are available on both the Kwik-Ship and Fast Freight delivery programs with no quantity limitations.
- 250 lb. load rating for all Mercado Leather and Wood Chairs.
- Some assembly required.

## PRESIDENT CHAIR



- Deep pillow-style cushions for comfort.
- Chrome finished cast aluminum armrests with leather padding.
- Tilt tension and tilt lock.
- Available in Black Leather.
- Cast aluminum five-star base with chrome finish.
- Swivel seat with pneumatic height adjustment.
- Deluxe knee tilt control.

Model No.	Outside Dimensions	Seated Area Dimensions	Seat Height	Wt.	List Price
PR	25"W x 28"D x 45"-48"H	19"W x 19"D x 27"H	19"-22"	65#	\$785

## OPTIMA MID-BACK CHAIR



- Deep cushioned seat and back.
- Chrome finished cast aluminum armrests with leather padding.
- Cast aluminum five star base with Chrome finish.
- Available in Black Leather.
- Swivel seat with pneumatic height adjustment.
- Tilt tension and tilt lock.
- Deluxe knee tilt control.

Model No.	Outside Dimensions	Seated Area Dimensions	Seat Height	Wt.	List Price
OPM	27"W x 26"D x 42"-45"H	21"W x 19"D x 24"H	20"-23"	51#	\$774

## SILHOUETTE CHAIR MID-BACK



- Genuine leather on all seated surfaces.
- Black nylon five star base.
- Available in Black Leather.
- Deluxe knee-tilt control.
- Five position adjustable arms are available as an option.

Model No.	Outside Dimensions	Seated Area Dimensions	Seat Height	Wt.	List Price
SSM	21 1/2"W x 27"D x 38"-41"H	21 1/2"W x 21"D x 19"H	19"-22"	45#	\$554
SSMARM	3 1/4"W x 10 1/2"D x 12"-14 3/4"H	Optional 5-position arms			\$79

(Shown with optional arm.)

## PIVOT ARM CHAIR



- Height adjustable, pivoting arms with a push of a button.
- Arms pivot to the back of chair.
- Chrome five star base.
- Tilt tension and tilt lock.
- Swivel seat with pneumatic height adjustment.
- Deluxe knee tilt control.
- Available in Black leather.

Model No.	Outside Dimensions	Seated Area Dimensions	Seat Height	Wt.	List Price
FL	28"W x 27"D x 46"-50"H	21"W x 18"D x 29"H	20"-23"	57#	\$855

**ALLIANCE CHAIR**

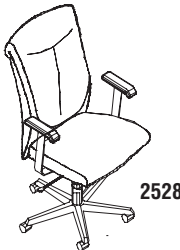
- Cast aluminum five-star base with Chrome finish.
- Swivel seat with pneumatic height adjustment.
- Available in Black.
- Black nylon armrests.
- Tilt tension and tilt lock.

Model No.	Outside Dimensions	Seated Area Dimensions	Seat Height	Wt.	List Price
AL	25"W x 31"D x 39"-42"H	20"W x 19"D x 22"H	20"-23"	42#	\$612

**2522 CHAIR**

- Black leather/mesh fabric combo on all seated surfaces.
- Pneumatic seat height adjustment with center pivot.
- Chrome, 5-star base.
- Adjustable arms.

Model No.	Outside Dimensions	Seated Area Dimensions	Seat Height	Wt.	List Price
2522	26 1/2"W x 26"D x 38 1/2"-43"H	19 1/2"W x 17 1/2"D x 19"H	19 1/2"-24"	40#	\$483

**2528 CHAIR**

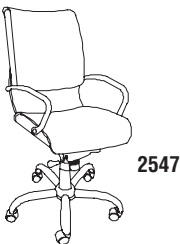
- Black leather seated surfaces.
- Pneumatic seat height adjustment.
- Center pivot.
- Black nylon, 5-star base.
- Adjustable arms.

Model No.	Outside Dimensions	Seated Area Dimensions	Seat Height	Wt.	List Price
2528	27"W x 28"D x 39 1/2"-43 1/2"H	19 3/4"W x 19"D x 25"H	18 1/2"-22 1/2"	44#	\$494

**3200 CHAIR**

- Black fabric seat with mesh back.
- Pneumatic seat height adjustment.
- Adjustable arms.
- Synchro-tilt.
- Adjustable lumbar support.
- Tilt tension.

Model No.	Outside Dimensions	Seated Area Dimensions	Seat Height	Wt.	List Price
3200	24 3/4"W x 23 1/2"D x 38"-41"H	18"W x 18 1/2"D x 20 1/2"H	17 1/2"-20 1/2"	55#	\$417

**2547 CHAIR**

- Black leather seated surfaces.
- Pneumatic seat height adjustment.
- Loop arms.
- Black nylon, 5-star base.
- Center pivot.
- Minimal assembly required; back and seat come attached.

Model No.	Outside Dimensions	Seated Area Dimensions	Seat Height	Wt.	List Price
2547	25"W x 29 1/2"D x 38"-42"H	20 1/2"W x 20"D x 19"H	19"-23"	55#	\$505

**TC2250**

- Black fabric task chair.
- Pneumatic seat height adjustment.
- Four-way adjustable arms.
- Multi-function mechanism.
- Back adjusts independently.

Model No.	Outside Dimensions	Seated Area Dimensions	Seat Ht.	Wt.	List Price
TC2250	27 3/4"W x 23"D x 35 1/2"-38 1/2"H	19 3/4"-23"W x 18"D x 17 1/2"H	18"-21"	49#	\$494

# MERCADO WOOD SERIES



- All models in all finishes are available on both the Kwik-Ship and Fast Freight delivery programs with no quantity limitations.
- Due to the density of the foam, the seating range may vary by 1/2" in either direction.

## CORSICA CHAIR



CS

- Deep cushioned seat and back in Black leather.
- Swivel seat with pneumatic height adjustment.
- Deluxe knee tilt control.
- Wood five star base in choice of Sierra Cherry or Mahogany finish to match REAL Office casegoods.
- Solid wood armrests with Black leather padding.
- Tilt tension and tilt lock.

Model No.	Outside Dimensions	Seated Area Dimensions	Seat Height	Wt.	List Price
CS	28"W x 29"D x 47"-50"H	22"W x 20"D x 29"H	19"-22"	68#	\$795

## WOOD GUEST SEATING

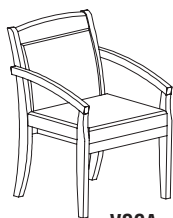
Stylish designs of solid wood and genuine leather beautify any private office or reception area.

- Fully assembled wood frame, simple seat attachment required.
- Cannot ship small parcel.
- Genuine leather on all seated surfaces.
- Enhanced seat suspension for lasting comfort.
- Cream leather available on VSC5A and VSC7A models only.
- Shipped 2 per box (VSC9 shipped 1 per box).
- Supports up to 250 lbs.

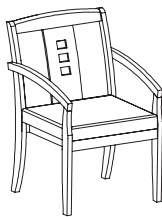
### FINISH MATRIX

Model No.	Sierra Cherry/Black	Mahogany /Black	Golden Cherry/Black	Bourbon Cherry/Black	Espresso /Black	Espresso /Cream	Medium Cherry/Black	Maple /Black
VSCA	✓	✓	✓	-	-	-	✓	✓
VSC2A	✓	✓	-	-	✓	-	-	-
VSC3A	-	-	-	✓	✓	-	✓	✓
VSC5A	✓	✓	-	✓	-	✓	-	-
VSC7A	✓	✓	-	-	-	✓	-	-
VSC9	✓	✓	-	-	-	-	-	-

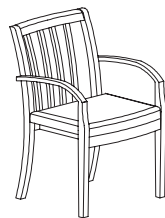
Model No.	Outside Dimensions	Seated Area Dimensions	Seat Height	Wt.	Carton List Price	Each List Price
VSCA	22 1/2"W x 23 1/2"D x 33 1/2"H	18 3/4"W x 17 1/4"D x 15"H	18 1/2"	50#	\$1200/ctn.	\$600/ea.
VSC2A	22 1/4"W x 23 1/2"D x 33 1/2"H	19"W x 19"D x 14 3/4"H	18 3/4"	50#	\$1200/ctn.	\$600/ea.
VSC3A	22 3/4"W x 24 3/4"D x 34 1/2"H	19"W x 18 3/4"D x 14 1/2"H	20"	48#	\$1200/ctn.	\$600/ea.
VSC5A	22 3/4"W x 23 3/4"D x 33"H	19 1/4"W x 18"D x 13 1/2"H	19 1/2"	48#	\$1200/ctn.	\$600/ea.
VSC7A	22 1/2"W x 26"D x 34 3/4"H	19"W x 18 1/2"D x 15 3/4"H	19"	50#	\$1200/ctn.	\$600/ea.
VSC9	26"W x 23 1/2"D x 34 1/2"H	19"W x 18 1/2"D x 15 1/2"H	19"	41#	\$645/ctn.	\$645/ea.



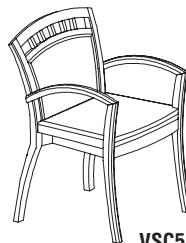
VSCA



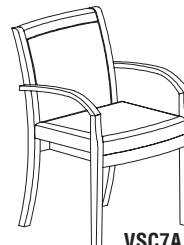
VSC2A



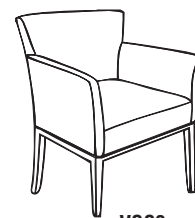
VSC3A



VSC5A



VSC7A



VSC9



## ESCALATE SERIES



ESC2



ESS2

- Sleek and contemporary.
- Black plastic seat and back, chrome legs.
- Chairs shipped 4/carton.
- Stools shipped 2/carton.
- Trolley available for chairs.
- Shipped completely assembled.
- Supports up to 250 lbs.

Model No.	Description	Outside Dimensions	Seated Area Dimensions	Seat Height	Carton Wt.	Carton List Price	Each List Price
<b>ESC2</b>	Escalate Chair	19 1/2"W x 21 1/2"D x 32"H	18"W x 19"D x 14"H	18"	65#	\$808/ctn.	\$202/ea.
<b>ESS2</b>	Escalate Stool	21 1/2"W x 23"D x 43 3/4"H	18"W x 19 1/2"D x 13 3/4"H	30"	45#	\$574/ctn.	\$287/ea.
<b>EST</b>	Escalate Trolley (stacks up to 25 chairs)		21"W x 27"D x 18 1/4"H		25#	\$291/ctn.	N/A

## VALORÉ SERIES



TSC2



TSS2

- Comfortable mesh backs with black fabric cushions.
- Unique tubular steel frame in a silver finish.
- Integrated foot glides.
- Chairs stack up to four high.
- Chairs ship 2/carton, fully assembled.
- Stools ship 2/carton, minimal assembly required.
- Supports up to 250 lbs.
- **Available in:** Black, orange or burgundy mesh with Black fabric seats.

Model No.	Description	Outside Dimensions	Seated Area Dimensions	Seat Height	Carton Wt.	Carton List Price	Each List Price
<b>TSC2</b>	Valoré Chair	21 1/2"W x 21 3/4"D x 33 1/4"H	18"W x 17"D x 14 3/4"H	18 1/2"	40#	\$670/ctn.	\$335/ea.
<b>TSS2</b>	Valoré Stool	22"W x 22"D x 44 3/4"H	18"W x 17"D x 14 3/4"H	30"	55#	\$900/ctn.	\$450/ea.



# COMFORT SERIES



All of the chairs in the Comfort Series provide a balanced seating environment to help reduce stress on the muscles of the thighs, back, neck and shoulders.

- The inflatable lumbar support on all models is orthopedically designed to give customized adjustment.
- Swivel seat with pneumatic height adjustment.
- Five-star base with dual hooded casters.
- Some assembly required.
- 250 lb. rating.
- Several models feature a suspended tailbone cut-out that allows the tailbone to free float, reducing fatigue and pressure on the lower back.
- Durable acrylic/poly blend upholstery in Gray, Blue, Burgundy and Black.
- All Comfort Chairs available on the 72-hour Kwik-Ship program.
- All Comfort Chairs (except 9413AG) can ship via small parcel. See Terms & Conditions.
- All models in all finishes are available on both the Kwik-Ship and Fast Freight delivery programs with no quantity limitations.

## EXECUTIVE HIGH BACK CHAIR



9413AG

- Tailbone cut-out in seat cushion.
- Tilt, tilt tension and tilt lock controls.
- High back with waterfall seat design.
- One-piece seat frame construction.
- Does not ship via small parcel.
- Available in Gray, Blue, Burgundy or Black fabric. Also available in Black leather. (Limited quantities available in Blue and Burgundy.)
- T-shaped arms are height adjustable and have comfortable impact resistant urethane arm rests.



9413AGL

Model No.	Outside Dimensions	Seated Area Dimensions	Seat Height	Fabric Wt.	Fabric List Price	Leather List Price
						L Suffix
9413AG	27"W x 27 1/4"D x 44 3/4-48 1/4"H	21"W x 18 1/2"D x 26"H	18 3/4"-22 1/4"	53#	\$940	\$1095

## EXECUTIVE POSTURE CHAIR



9414AG

- Tailbone cut-out in seat cushion.
- 2 1/2" ratchet back height adjustment for optimal lumbar location.
- Waterfall seat design.
- **Multi-Function** – Three levers to modify angle of back relative to the seat, control tilt and forward tilt for keyboard intensive activities. Tilt is free float or locking within a fixed range.
- Available in Gray, Blue, Burgundy or Black fabric. (Limited quantities available in Blue and Burgundy.)
- Included T-shaped arms are height adjustable and have comfortable impact resistant urethane arm rests.

Model No.	Outside Dimensions	Seated Area Dimensions	Seat Height	Fabric Wt.	Fabric List Price
9414AG	26"W x 24 3/4"D x 40 3/4"-44 1/4"H	20 1/2"W x 19"D x 24"H	16 3/4"-20 1/4"	43#	\$829

**MULTI-FUNCTION TASK CHAIR WITH OPTIONAL ARMS**

4021  
with 12ADJARM

- Tailbone cut-out in seat cushion.
- Ratchet back height adjustment.
- Multi-task control adjusts seat and back angles with a single lever.
- Available in Gray (limited quantities available) or Black fabric.
- **Optional** T-shaped arms are height adjustable and have comfortable impact resistant urethane arm rests.

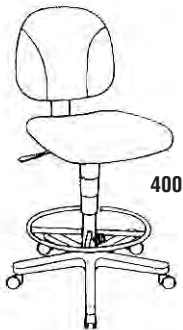
Model No.	Outside Dimensions	Seated Area Dimensions	Seat Height	Wt.	List Price
4021 Chair	20"W x 22 1/2"D x 36 1/2"-40"H	20"W x 19"D x 19 1/2"H	17"-20 1/2"	38#	\$596
12ADJARM	3"W x 9 1/2"D x 9 1/2"-12"H	8-position arms		7#	\$149

**CONTOURED SUPPORT CHAIR**

4019AG

- Contoured back and tractor style seat to help eliminate fatigue.
- 2 1/2" ratchet back height adjustment for optimal lumbar location.
- **Multi-Function** – Three levers to modify angle of back relative to the seat, control tilt and forward tilt for keyboard intensive activities. Tilt is free float or locking within a fixed range.
- Available in Gray, Blue or Black fabric.
- T-shaped arms are height adjustable and have comfortable impact resistant urethane arm rests.

Model No.	Outside Dimensions	Seated Area Dimensions	Seat Height	Wt.	List Price
4019AG	27"W x 25"D x 41 3/4"-45 3/4"H	21"W x 18 1/2"D x 24"H	17 1/2"-21"	44#	\$710

**SWIVEL TASK STOOL**

4005AG

- Twist and lock height adjustable footring.
- The inflatable lumbar support is orthopedically designed to give a customized adjustment.
- Swivel seat with pneumatic height adjustment.
- Durable acrylic/poly blend upholstered in Gray, Blue, Burgundy or Black fabric. (Limited quantities available in Blue and Burgundy.)
- Five-star base with dual hooded casters and optional Black nylon arms.
- Back height adjustment.
- Seat depth adjustment.
- **Optional** T-shaped arms are height adjustable and have comfortable impact resistant urethane arm rests.

Model No.	Outside Dimensions	Seated Area Dimensions	Seat Height	Wt.	List Price
4005AG	21"W x 24 1/2"D x 40"-50"H	21"W x 19"D x 17"-19 1/2"H	23"-33"	34#	\$596
12ADJARM	3"W x 9 1/2"D x 9 1/2"-12"H	8-position arms		7#	\$149

# COMFORT SERIES – BIG & TALL



All of the chairs in the Comfort Series provide a balanced seating environment to help reduce stress on the muscles of the thighs, back, neck and shoulders.

- The inflatable lumbar support on all models is orthopedically designed to give customized adjustment.
- Swivel seat with pneumatic height adjustment.
- Oversized, cast aluminum. Five-star base with dual hooded casters.
- All Comfort Chairs available on the 72-hour Kwik-Ship program.
- All models in all finishes are available on both the Kwik-Ship and Fast Freight delivery programs with no quantity limitations.
- All Big & Tall Chairs can ship via small parcel. See Terms & Conditions.
- Steel reinforced seat plate.
- Some assembly required.

## BIG & TALL PIVOT ARM CHAIR



6446AG

- Supports up to 450 lbs.
- Heavy duty, high density foam in cushions.
- 18° tilt.

- Arms pivot out of the way to allow chair to roll up close to desk.
- Available in Gray, Blue, Burgundy or Black fabric or Black leather.

Model No.	Outside Dimensions	Seated Area Dimensions	Seat Height	Wt.	Fabric	Leather
					List Price	List Price
						L Suffix
<b>6446AG</b>	29"W x 28"D x 45"-49"H	23"W x 21"D x 28"H	19 1/4"-23 1/4"	65#	\$1121	\$1249



6446AGL

## BIG & TALL EXECUTIVE CHAIR

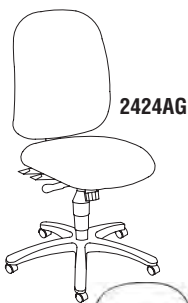


1801AG

- Supports up to 450 lbs.
- Available in Gray or Black fabric or Black leather.
- Heavy duty, high density foam in cushions.

Model No.	Outside Dimensions	Seated Area Dimensions	Seat Height	Wt.	Fabric	Leather
					List Price	List Price
						L Suffix
<b>1801AG</b>	27"W x 27"D x 44"-48"H	22"W x 19"D x 27"H	19"-23"	69#	\$994	\$1118

## 24-HOUR HIGH PERFORMANCE CHAIR



2424AG

- Supports up to 300 lbs.
- Seat cushion features memory foam.
- Multi-function chair control allows the seat and back angle to be independently adjusted.
- Chair seat tilts both forward and rearward with tilt tension adjustment.
- **Optional** T-shaped arms are height adjustable and have comfortable impact resistant urethane arm rests.
- Sculpted back has pronounced lumbar support for maximum lower back comfort.
- Back is height adjustable for precise positioning of the lumbar area.
- Available in Gray, Blue, Burgundy or Black fabric. Also available in Black Leather. (Limited quantities available in Blue and Burgundy.)

Model No.	Outside Dimensions	Seated Area Dimensions	Seat Height	Wt.	Fabric	Leather
					List Price	List Price
						L Suffix
<b>2424AG</b>	21"W x 29"D x 42"-45"H	21"W x 20"D x 23"H	19"-22"	58#	\$752	\$878
<b>12ADJARM</b>	3"W x 9 1/2"D x 9 1/2"-12"H	8-position arms		7#	\$149	

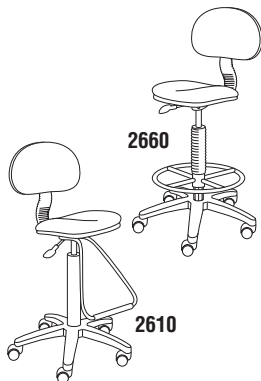


2424AGL

- All models in all finishes are available on both the Kwik-Ship and Fast Freight delivery programs with no quantity limitations.

## MULTI-TASK STOOLS

- Multi-Task chairs feature extra dense foam and large, 5-star nylon base.
- Durable polyester fabric in Black.
- Pneumatic 10" height adjustment.
- Can ship via small parcel. See Terms & Conditions.
- All Technical Series Stools available on the 72-hour Kwik-Ship program.
- Some assembly required.
- 250 lb. rating.



Model No.	Description	Seated Area Dimensions	Seat Height	Wt.	List Price
2610	Fabric covered drafting stool with footrest and dual wheel hooded casters.	18"W x 16"D x 17"H	23"-33"	20#	\$353
2660	Fabric covered drafting stool with adjustable footring.	18"W x 16"D x 17"H	23"-33"	21#	\$353

## SWIVEL TASK STOOL



- The inflatable lumbar support is orthopedically designed to give a customized adjustment.
- Swivel seat with pneumatic height adjustment.
- Durable acrylic/poly blend upholstered in Gray, Blue, Burgundy or Black. (Limited quantities available in Blue and Burgundy.)
- Five-star base with dual hooded casters and optional Black nylon arms.
- Twist and lock, height adjustable foot ring.
- Back height adjustment.
- Seat depth adjustment.
- Can ship via UPS.
- 250 lb. rating.
- **Optional** T-shaped arms are height adjustable and have comfortable impact resistant urethane arm rests.

Model No.	Outside Dimensions	Seated Area Dimensions	Seat Height	Wt.	List Price
4005AG	21"W x 24"D x 40"-50"H	21"Wx19"Dx18"-20"H	23"-33"	40#	\$596
12ADJARM	3"W x 9 1/2"D x 9 1/2"-12"H	8-position arms		7#	\$149

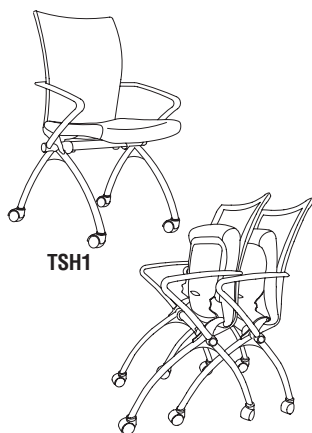
# VALORÉ® TRAINING SERIES



Seating designed with training in mind. Lightweight, flexible and comfortable.

- Comfortable mesh and fabric combo with a gentle recline action.
- Seats flip allowing for compact, nesting storage.
- A compact 6 1/2" between chairs when nested.
- Dual-hooded, all-purpose casters.
- Shipped assembled, simple caster attachment required.
- 25" Arm height.
- Shipped 2 per box.
- 250 lb. rating.

## HIGH-BACK CHAIR



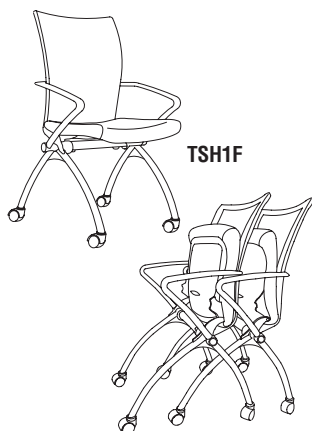
- CA133 approved.
- TSH1 with integrated arms. TSH2 without arms.
- Standard with chrome legs.
- These chairs are available on both the Kwik-Ship and Fast Freight delivery programs with no quantity limitations.
- **Available in:** Black, Orange or Red mesh with Black fabric seats.

Model No.	Outside Dimensions	Seated Area Dimensions	Seat Height	Wt.	Carton List Price
❖ TSH1	23"W x 24"D x 36 1/2"H	19"W x 17"D x 18"H	18 1/2"	53#	\$870/ctn. (\$435/ea.)
❖ TSH2	20"W x 24"D x 36 1/2"H	18 3/4"W x 17"D x 18"H	18 1/2"	50#	\$840/ctn. (\$420/ea.)

## HIGH-BACK CHAIRS UPHOLSTERED (NOTE: Not available on FAST Freight)



Enhance your training environment with a perfect blend of seating comfort and designer upholstery. Mobile chairs with breathable mesh backs and a gentle recline action. Mix and match your choice of frame finishes with any Momentum Textile.



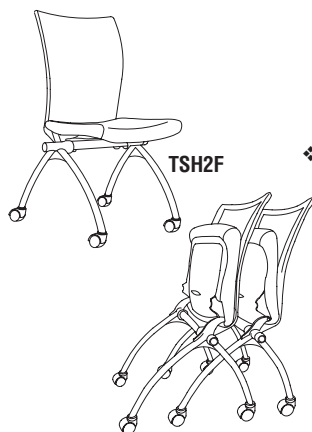
- Select chair with arms (TSH1F) or without arms (TSH2F).
- Outside Dimensions: 23"W x 24"D x 36 1/2"H.
- Seated Area Dimensions: 19"W x 17"D x 18"H.
- Seat Height: 18 1/2".
- CA117 Approved.
- Standard with black mesh seatback only.
- Legs/frame available in either black (B) powder-coat or chrome (C) finish.
- **See separate order form at the back of the price book for COM fabric guidelines.**
- Improved seatpan comfort.
- Professionally upholstered in either fabric or polyurethane.
- Number following color code (below) represents fabric grade.
- For graded-in fabrics, please visit [www.themomgroup.com/mfg/208](http://www.themomgroup.com/mfg/208) for a complete textile offering and memo samples.

### Kwik-Ship Finishes (maximum 25 cartons):

**Frame:** Black or Chrome

**Seat Upholstery Options:** Expo Latte (2), Origin Jet (2), Fuse Pepper (2), or Canter Onyx (polyurethane) (2)

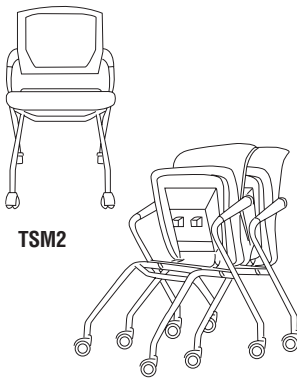
**NOTE:** 14 additional fabrics available on a 10-day lead time. COM Fabric is a 20-day lead time once fabric approved by Mayline. View website for details.



Armed Model No.	Armless Model No.	Fabric Grade	TSH1F Carton List Price	TSH2F Carton List Price
❖ TSH1F2	❖ TSH2F2	2	\$1070/ctn. (\$535/ea.)	\$1040/ctn. (\$520/ea.)
TSH1F3	TSH2F3	3	\$1130/ctn. (\$565/ea.)	\$1100/ctn. (\$550/ea.)
TSH1F4	TSH2F4	4	\$1190/ctn. (\$595/ea.)	\$1160/ctn. (\$580/ea.)
TSH1F5	TSH2F5	5	\$1250/ctn. (\$625/ea.)	\$1220/ctn. (\$610/ea.)
TSH1F6	TSH2F6	6	\$1310/ctn. (\$655/ea.)	\$1280/ctn. (\$640/ea.)
TSH1F7	TSH2F7	7	\$1370/ctn. (\$685/ea.)	\$1340/ctn. (\$670/ea.)
TSH1F8	TSH2F8	8	\$1430/ctn. (\$715/ea.)	\$1400/ctn. (\$700/ea.)
TSH1F9	TSH2F9	9	\$1490/ctn. (\$745/ea.)	\$1460/ctn. (\$730/ea.)
TSH1F10	TSH2F10	10	\$1550/ctn. (\$775/ea.)	\$1520/ctn. (\$760/ea.)
TSH1FX	TSH2FX	COM	\$1174/ctn. (\$587/ea.)	\$1144/ctn. (\$572/ea.)

❖ Indicates Kwik-Ship models.

## MID-BACK CHAIR



- Comfortable mesh backs with black fabric cushions.
- Chair frames are a standard powder-coated silver finish.
- CA117 approved.
- Arm height is 26".
- **Available in:** Black, Orange or Burgundy mesh with Black fabric seats.
- Compact, nesting storage.
- Standard arms and dual-hooded casters.
- Shipped assembled, 2 per box.
- 250 lb. rating.

Model No.	Outside Dimensions	Seated Area Dimensions	Seat Height	Wt.	Carton List Price
TSM2	21 1/2"W x 24 1/2"D x 36"H	18"W x 17"D x 17 1/2"H	18 1/2"	42#	\$582/ctn. (\$291/ea.)

## HEIGHT ADJUSTABLE TASK CHAIR



- Basic height adjustable task chair.
- Arm height: 24 1/4" (at lowest setting).
- Shipped 1 per box.
- **Available in:** Black, Orange or Red mesh with Black fabric seats.
- 5-Star, 27" aluminum base.
- 250 lb. rating.
- CA133 approved.

Model No.	Outside Dimensions	Seated Area Dimensions	Seat Height	Wt.	Carton List Price
TSH3	23 1/2"W x 20 1/2"D x 36 1/2" - 40 1/4"H	19 1/2"W x 17"D x 18"H	18 1/2" - 22 1/4"	33#	\$604

## OPTIONAL CHAIR GLIDES

- Alternative to casters for any non-rolling application.
- Available for the TSH1 & TSH2 High Back and TSM2 Mid-Back chairs.
- Kit consists of 4 black, push fit Glides.

Model No.	Wt.	Carton List Price
CHAIRGL	1#	\$33

## OPTIONAL CHAIR CASTERS

- Soft casters for hard surface applications.

Model No.	Wt.	Carton List Price
SCC (5-Pack)	12#	\$51
SCC4 (4-Pack)	11#	\$42

# COMMUTE™ SERIES



A simple to spec solution for today's office environment. Fits users from small to tall, simply by leveraging the seat slider (standard on every model). Comes with either a mesh or upholstered back and black or chrome 'kits' allow this design to adapt to any environment.

- All chairs standard with synchro-tilt mechanism and 2 1/4" travel seat slider, tilt tension, and tilt lock
- Select either black nylon mesh back or fully upholstered back, both with Momentum upholstered seats.
- Select either black or chrome kits (cylinder, nylon base, height adjustable T-arms with horizontal adjustment, caster hub).
- Outer dimensions: 25" W x 23"-25"D x 41-41"H
- Seated area dimensions: 18"W x 18"D x 22"H
- Seat height 19"- 23"
- Shipping weight 50 lbs.
- 250 lb. maximum weight rated
- Shipped nearly assembled (attach cylinder, base & casters) 1/carton
- Refer to online upholstery fabric card (#FABCARD) for current carded options.
- For graded-in fabrics, visit [www.themomgroup.com/mfg/208](http://www.themomgroup.com/mfg/208) for a complete textile offering and memo samples.
- COM Program available. See separate order form at the back of the price book for guidelines.

**Kwik-Ship Fabrics for mesh back chairs with arms (either black or chrome base kits): Expo Latte (grade 2), Fuse Pepper (grade 2), Origin Jet (grade 2), or Canter Onyx (polyurethane, grade 2)**



C1CB

Model No.	Description	Fabric Grade (Suffix)									
		2	3	4	5	6	7	8	9	10	X(COM)
C1BB	Black Mesh Back, upholstered seat Black base, cylinder & casters Height adjustable T-arms	❖ \$690	\$725	\$760	\$795	\$830	\$865	\$900	\$935	\$970	\$759
C1CB	Black Mesh Back, upholstered seat Chrome base, cylinder & casters Height adjustable T-arms	❖ \$839	\$874	\$909	\$944	\$979	\$1014	\$1049	\$1084	\$1119	\$923



C1BU

Model No.	Description	Fabric Grade (Suffix)									
		2	3	4	5	6	7	8	9	10	X(COM)
C1BU	Fully Upholstered Back and seat Black base, cylinder & casters Height adjustable T-arms	\$929	\$1004	\$1034	\$1069	\$1104	\$1139	\$1174	\$1214	\$1244	\$1022
C1CU	Fully Upholstered Back and Seat Chrome base, cylinder & casters Height adjustable T-arms	\$1004	\$1079	\$1109	\$1144	\$1179	\$1214	\$1249	\$1289	\$1319	\$1104

Note: If selecting back and seat fabrics of different grades, the higher grade fabric pricing will be utilized.



C2BB

Model No.	Description	Fabric Grade (Suffix)									
		2	3	4	5	6	7	8	9	10	X(COM)
C2BB	Black Mesh Back, upholstered seat Black base, cylinder & casters No Arms	\$615	\$650	\$685	\$720	\$755	\$790	\$825	\$860	\$895	\$677
C2CB	Black Mesh Back, Upholstered seat Chrome base, cylinder & casters No Arms	\$764	\$799	\$834	\$869	\$904	\$939	\$974	\$1009	\$1044	\$840



C2BU

Model No.	Description	Fabric Grade (Suffix)									
		2	3	4	5	6	7	8	9	10	X(COM)
C2BU	Fully Upholstered Back and seat Black base, cylinder & casters No Arms	\$854	\$929	\$959	\$994	\$1029	\$1064	\$1099	\$1139	\$1169	\$939
C2CU	Fully Upholstered Back and Seat Chrome base, cylinder & casters No Arms	\$929	\$1004	\$1034	\$1069	\$1104	\$1139	\$1174	\$1214	\$1244	\$1022

Note: If selecting back and seat fabrics of different grades, the higher grade fabric pricing will be utilized.

❖ Indicates Kwik-Ship models.



# LOUNGE FURNITURE



DESKING

CASEGOODS

CONFERENCE & TRAINING TABLES

SEATING

STORAGE & FILING

SPECIALTY SOLUTIONS

COM FORMS

PRODUCT INDEX

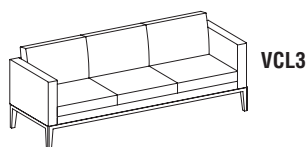
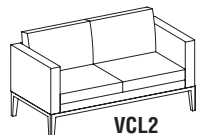
- All models in all finishes are available on both the Kwik-Ship and Fast Freight delivery programs with no quantity limitations.

## PRESTIGE SERIES

- All seated surface areas are genuine leather and available in Black.
- Platforms on Prestige Series are available in Sierra Cherry or Mahogany finish. Please specify.



Model No.	Description	Outside Dimensions	Seated Area	Seat Ht.	Wt.	List Price
❖ <b>VCL1</b>	Chair	33 1/4"W x 29"D x 29 1/4"H	24 1/4"W x 20"D x 12 1/4"H	17"	109#	\$1005
❖ <b>VCL2</b>	Settee	53 1/2"W x 29"D x 29 1/4"H	44 1/2"W x 20"D x 12 1/4"H	17"	150#	\$1607
❖ <b>VCL3</b>	Sofa	77 1/2"W x 29"D x 29 1/4"H	68 1/2"W x 20"D x 12 1/4"H	17"	183#	\$2093

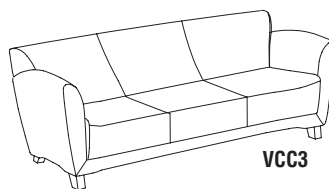
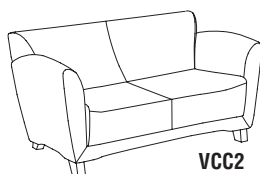


## SANTA CRUZ LOUNGE SERIES

- Available in either Black leather (standard with Mahogany feet) or Almond leather (standard with Black feet). Optional foot kit colors available.
- Buffalo split polyurethane coated leather on all seated surfaces.
- Mobile chair includes heavy-duty black double wheel casters in the front, black wood feet in the back.
- Mobile chair available with or without tablet.
- Mobile chair tablet: 360° swivel (15"W x 12"D), tablet height 27", available in Chestnut finish.
- Brushed aluminum handle on mobile chair back for easy mobility.
- Foot kit finish options: Sierra Cherry, Golden Cherry, Espresso, Maple, Bourbon Cherry, or Black for VCC1, VCC2 or VCC3.
- Storage ottoman standard with four casters for easy mobility; Chestnut table inside.
- CA117 approved.



Model No.	Description	Outside Dimensions	Seated Area	Seat Ht.	List Price
❖ <b>VCCM</b>	Mobile Lounge Chair	31"W x 33"D x 30 3/4"H	18 1/2"W x 21"D x 11 3/4"H	19"	\$1156
❖ <b>VCCMT</b>	Mobile Lounge Chair With Tablet	31"W x 33"D x 30 3/4"H	18 1/2"W x 21"D x 11 3/4"H	19"	\$1388
❖ <b>VCC</b>	Storage Ottoman	17 1/2"W x 17 1/2"D x 18 1/2"H	17 1/2"W x 17 1/2"D x 18 1/2"H	18 1/2"	\$462
❖ <b>VCC1</b>	Chair	36"W x 34 1/4"D x 32 1/4"H	21 1/2"W x 22"D x 13 1/4"H	19"	\$1133
❖ <b>VCC2</b>	Settee	55"W x 34 1/4"D x 32 1/4"H	41"W x 22"D x 13 1/4"H	19"	\$1689
❖ <b>VCC3</b>	Sofa	75 1/4"W x 34 1/8"D x 32 1/4"H	61"W x 22"D x 13 1/4"H	19"	\$2195
❖ <b>VCCL</b>	Optional Foot Kit for VCC1, VCC2 & VCC3	See available finishes above.	2"W x 3"D x 3 1/2"H		\$60



❖ Indicates Kwik-Ship models.



# ***STORAGE & FILING***

---



---

**Mobile Aisle™**  
**Mobile Lite**  
**Four Post Shelving**  
**The Security Shade**  
**X-Ray Shelving**  
**File Harbor Cabinets**  
**Forms & Storage Cabinets**  
**ARC™ Rotary Files**  
**Flip-N-File™**  
**Decorative Enhancements**  
**Insertables**  
**Filing Carts**  
**Mobilizers™**  
**Pedestals**  
**Lateral Files & Bookcases**  
**Plan Files**

DESKING

CASEGOODS

CONFERENCE &  
TRAINING TABLES

SEATING

STORAGE &  
FILING

SPECIALTY  
SOLUTIONS

COM  
FORMS

PRODUCT  
INDEX

# MOBILE AISLE



GSA

The most important element of any storage or filing project is to create an environment for **proper storage** and **ease of retrieval** of items or records and information. The Kwik-File solution eliminates wasted aisle space by utilizing it to triple the storage and filing capacity compared to what a conventional filing cabinet would provide. Kwik-File manufactures a complete line of high-density, modular systems that will integrate into any office environment.

Our highly trained staff can solve filing and storage problems by analyzing what needs to be stored and how and when it needs to be accessed and handled. Our 1000 Mechanical Assist system easily accommodates our 4-Post shelving and that of other manufacturers, including Tennsco and Aurora. Our Mobile Aisle systems provide quick and easy retrieval of side tab media. Other options include Reference Shelves, Roll-out Drawers, Wire Shelving and Slatwall for additional types of storage.

To take the trouble and worry out of specifying a Mobile Aisle solution, we will do all the up-front work for you. We offer **FREE DESIGN SERVICE** to not only recommend the best solution, but we will also develop a drawing for your floor plan along with a list of all the materials you need to order ... **FREE!** Call 1-800-822-8037, email to [spaceplanning@mayline.com](mailto:spaceplanning@mayline.com), or fax to 920-208-7970.

## NEW – Mobile Aisle 1000 Mechanical Assist

The new 1000 series Mobile Aisle comes with greater flexibility for rail placement allowing design to be easier around obstructions and on specialized floor support applications. The Kwik-File 1000 Mechanical Assist system is operated by a three pronged star handle with red safety occupancy indicator. Conveniently located in the center of the end panel assembly, the handle will easily move 10,000 pounds of shelving and media with only 1 pound of effort. Multiple ranges can be moved simultaneously promoting increased filing and retrieval time. The heavy-duty mechanical assist design can move up to 30 feet in range length. In addition to traditional filing solutions the system offers a wide variety of storage options that will provide a secure environment for items such as archival objects, law enforcement guns, ammo and evidence, medical and pharmaceutical supplies and instruments, and retail backroom storage, to name a few, utilizing traditional steel shelving, wire shelving, roll-out drawers and slatwall.



Wasted aisle space is eliminated with Kwik-File's high-density mobile storage systems.

**4-POST SHELVING**

- **NO hardware required for installation**
- End panels provide a finished appearance.
- All shelving is offered in 24", 36", 42" and 48" widths.
- All shelving is offered in 9", 12", 15", 18", 24" and 30" depths.
- Dividers interlock with common stop for stability.
- 4-Post design shelving will support 240 lbs. per shelf.
- **X-ray shelving** will support 1000 lbs. per shelf.
- Wall anchoring
- Accessories: Roll-out drawers, Posting/Reference Shelf, Security Shades, Slatwall, Wire Shelving.
- Wall anchoring brackets and hardware available.
- Easy to relocate.

**WIRE SHELVING**

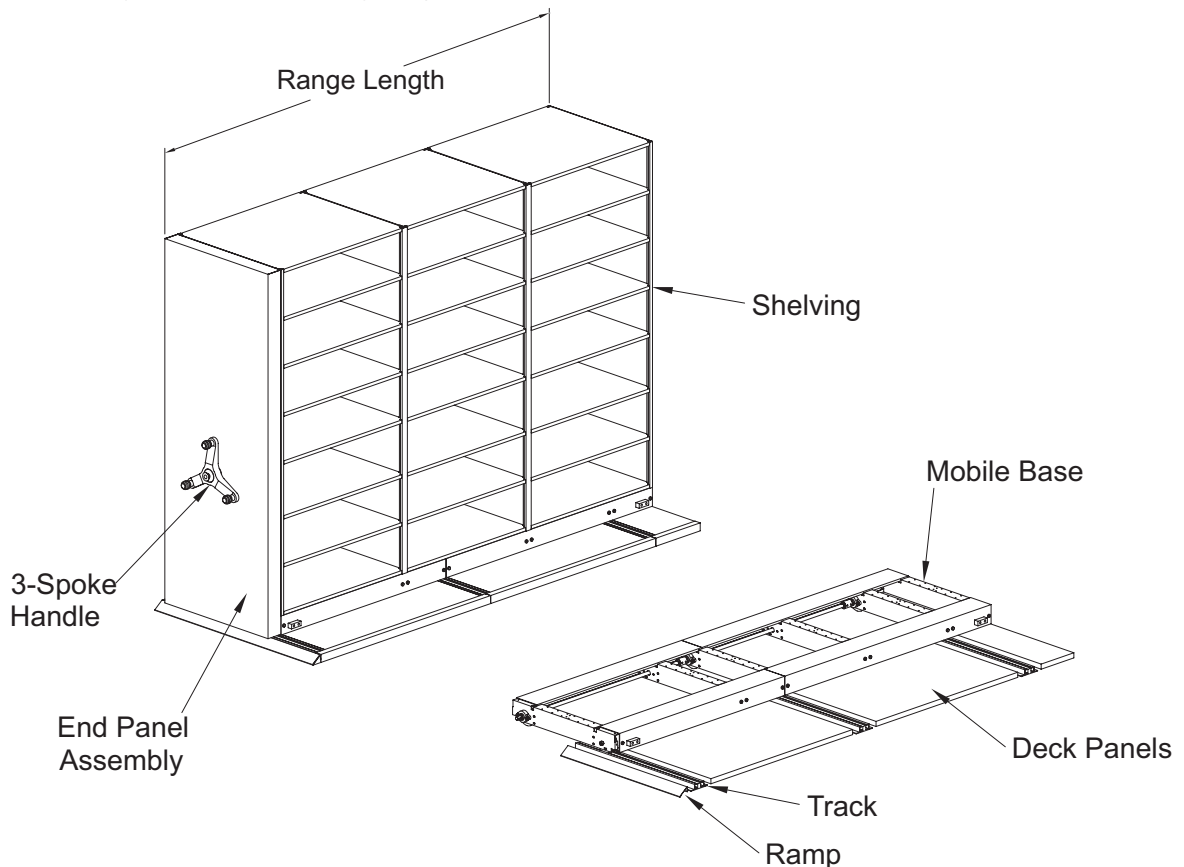
- Bright zinc chloride plating followed by clear chromate plating with MasterSeal® sealer for improved rust protection.
- 3-year limited warranty on wire shelving.
- NSF-listed for dry storage environments.
- Shelving offered in 12", 15", 18", 24", 30" and 36" widths.
- All shelving is offered in 24", 36", 42" and 48" depths.
- Shelves load tested to 250 lbs./zero deflection.
- Available for even dimension 4-Post only.
- Shelves mount over two shelf supports of a 4-Post system.
- Optional Center Stop assemblies are available that include one side-to-side partition that interlocks with two front-to-back ledges to form an "H".
- Additional side-to-side partitions are also sold separately.

**TRACK, DECKING & RAMPS**

- **Non-grouted track**, totally re-levelable at any time.
- Levelers in pairs positioned every 6".
- Two point contact to floor for weight load distribution.
- Track interlocks and overlaps at all track joints.
- Attachment to floor with hilti (expansion bolt).
- Deck is supplied by Kwik-File.
- Available with fire-retardant carpet (Charcoal or Taupe) or unfinished.
- Deck panels – complete with levelers.
- Low profile standard system entry or ADA/incline ramp options.

**END PANEL DRIVE ASSEMBLIES**

- **1 pound of pressure required to move 10,000 lbs.**
- All steel, *no particleboard*.
- Painted steel end panels available in Corporate colors standard.
- Magnetic design enhancement option available in laminate, veneer and fabric.
- Three spoke handle which includes a range safety lock with red locking indicator.

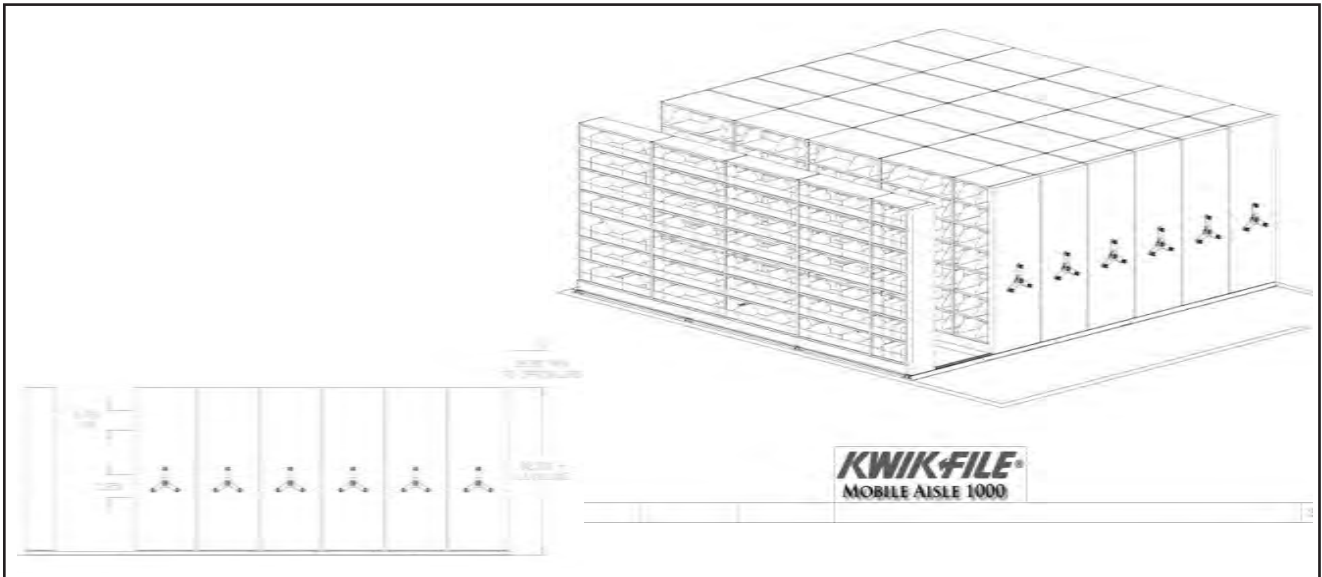


## FREE SPACE PLANNING SERVICES

Our storage and filing experts can help – **FREE OF CHARGE**. If your storage problems can be solved with Mobile 1000, let us help! Our Spaceplanning Team are experts at storage and filing solutions and can design Mobile 1000 to fit your storage area perfectly. Our Spaceplanners have extensive knowledge of Mobile 1000, Mobile Lite, 4-Post, Arc Rotary, X-Ray, Flip 'n File, File Harbor and Kwik Track systems.

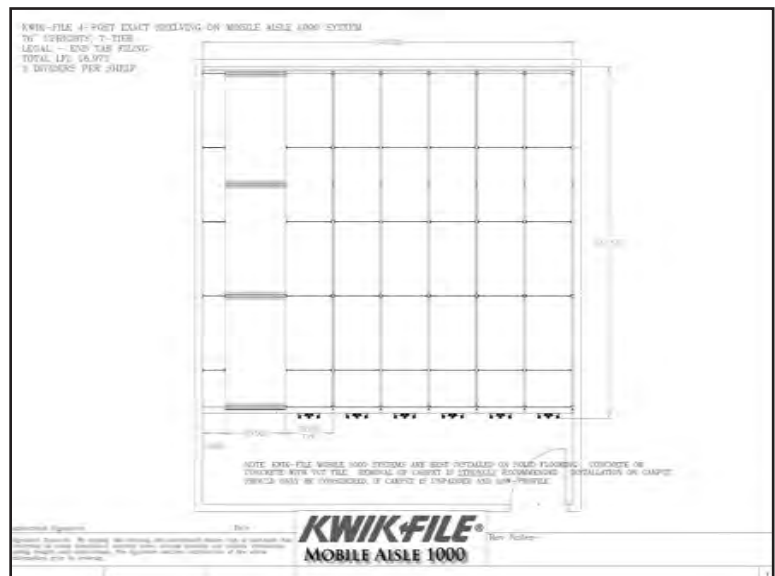
Our Spaceplanners are able to receive requests via email, fax or via the Mayline website. The filing survey is located at [www.mayline.com](http://www.mayline.com) under Free Design Service. The filing survey takes just a few minutes and will provide our Spaceplanners with the necessary information to complete a quote and design layout. Email your room drawings in AutoCAD or pdf format to [spaceplanning@mayline.com](mailto:spaceplanning@mayline.com).

Email us your request now at [spaceplanning@mayline.com](mailto:spaceplanning@mayline.com) or fax us at 920-208-7970.



### Certified Installers

Kwik-File has their very own Certified Installers. The Certified Installers go through an in-depth training on all of the Filing & Storage System products. To find an installer near you, visit [www.mayline.com](http://www.mayline.com).



FREE Designs and Quotes at your fingertips.



Complete Mobile Lite typical model numbers include the following; one single faced fixed unit, one single face movable unit and a range of 2 to 4 double face movable units. Model numbers also include 7-tier 4-post shelving, back panels for single face units, dividers, half high end panel assembly, key lock included with single face movable unit, plunger lock included with all double face movable units, mobile bases, track and additional track for typical aisle walkway. No decking or ramping required. For special customer requirements please contact the Mayline's Space Planning department for free design service at 1-800-822-8037.

Letter Depth Shelving Model Numbers	System Width	Overall Range Length	Overall Height	Wt.	Aisle	LFI	System Size	List Price
<b>EML3672L</b>	118"	44"	79"	1159	36"	1454"	10' x 4'	\$9931
<b>EML3673L</b>	144"	44"	79"	1500	36"	1939"	12' x 4'	\$12839
<b>EML3674L</b>	170"	44"	79"	1844	36"	2424"	15' x 4'	\$15903
<b>EML4872L</b>	118"	56"	79"	1334	36"	1958"	10' x 5'	\$10640
<b>EML4873L</b>	144"	56"	79"	1562	36"	2611"	12' x 5'	\$13857
<b>EML4874L</b>	170"	56"	79"	2099	36"	3263"	15' x 5'	\$17023
<b>EML7272L</b>	118"	80"	79"	1858	36"	2912"	10' x 7'	\$15277
<b>EML7273L</b>	144"	80"	79"	2384	36"	3884"	12' x 7'	\$19712
<b>EML7274L</b>	170"	80"	79"	2909	36"	4854"	15' x 7'	\$24295
<b>EML9672L</b>	118"	104"	79"	2202	36"	3916"	10' x 9'	\$16950
<b>EML9673L</b>	144"	104"	79"	2810	36"	5222"	12' x 9'	\$22247
<b>EML9674L</b>	170"	104"	79"	3417	36"	6527"	15' x 9'	\$26987

**System Width:** Total length from left to right of system.

**Overall Range Length:** From wall to the tip of the handle (dimension includes 1 1/2" clearance from wall).

**Overall Height:** Distance from the floor to the top of shelving.

**Aisle:** Walkway between ranges.

**LFI:** The amount of Linear Filing Inches offered in each typical.

**System Size:** Footprint of the system.

**Letter**

**EML3672L**

**EML = Mobile Lite**

**36 = Overall shelving length in inches.**

**7 = Number of shelves per unit.**

**2 = Number of double face movable units.**

**L = Letter media.**

**Letter**

**EML4874L**

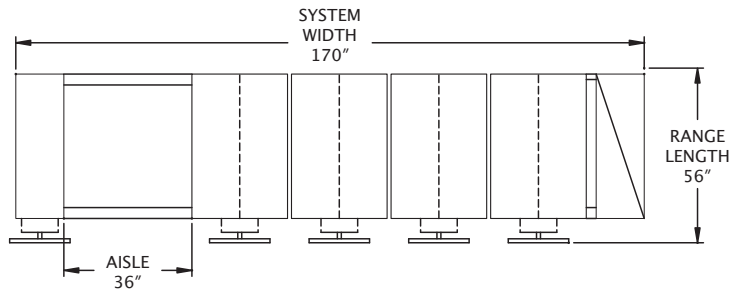
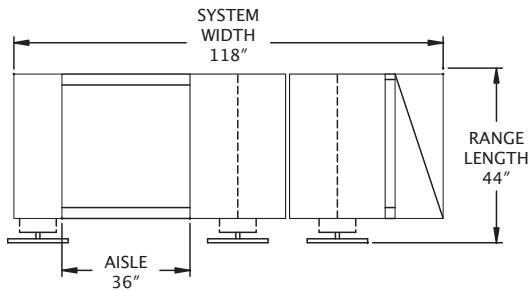
**EML = Mobile Lite**

**48 = Overall shelving length in inches.**

**7 = Number of shelves per unit.**

**4 = Number of double face movable units.**

**L = Letter media.**





## MOBILE LITE TYPICALS

Legal Depth Shelving Model Numbers	System Width	Overall Range Length	Overall Height	Wt.	Aisle	LFI	System Size	List Price
EML3672G	135"	44"	79"	1337	36"	1454"	12' x 4'	\$10557
EML3673G	167"	44"	79"	1745	36"	1939"	14' x 4'	\$13821
EML3674G	199"	44"	79"	2153	36"	2424"	17' x 4'	\$17006
EML4872G	135"	56"	79"	1505	36"	1958"	12' x 5'	\$11183
EML4873G	167"	56"	79"	1955	36"	2611"	14' x 5'	\$14604
EML4874G	199"	56"	79"	2405	36"	3263"	17' x 5'	\$17946
EML7272G	135"	80"	79"	2153	36"	2912"	12' x 7'	\$16253
EML7273G	167"	80"	79"	2770	36"	3884"	14' x 7'	\$21182
EML7274G	199"	80"	79"	3431	36"	4854"	17' x 7'	\$25994

X-Ray Depth Shelving Model Numbers	System Width	Overall Range Length	Overall Height	Wt.	Aisle	LFI	System Size	List Price
EML3652X	160"	44"	89"	1297	42"	1039"	14' x 4'	\$13182
EML3653X	198"	44"	89"	1695	42"	1385"	17' x 4'	\$17208
EML3654X	236"	44"	89"	2097	42"	1731"	20' x 4'	\$21228
EML4852X	160"	56"	89"	1465	42"	1399"	14' x 5'	\$13521
EML4853X	198"	56"	89"	1905	42"	1865"	17' x 5'	\$17597
EML4854X	236"	56"	89"	2365	42"	2331"	20' x 5'	\$21667

**System Width:** Total length from left to right of system.

**Overall Range Length:** From wall to the tip of the handle (dimension includes 1 1/2" clearance from wall).

**Overall Height:** Distance from the floor to the top of shelving.

**Aisle:** Walkway between ranges.

**LFI:** The amount of Linear Filing Inches offered in each typical.

**System Size:** Footprint of the system.

## Legal

## EML7273G

EML = Mobile Lite

72 = Overall shelving length in inches.

7 = Number of shelves per unit.

3 = Number of double face movable units.

G = Legal media.

## X-ray

## EML3652X

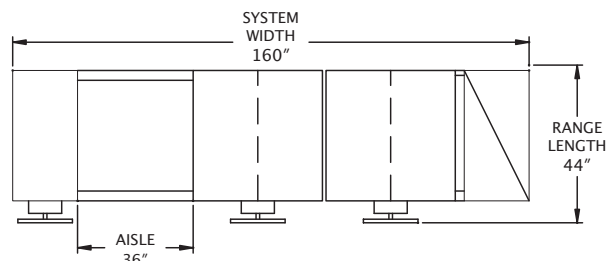
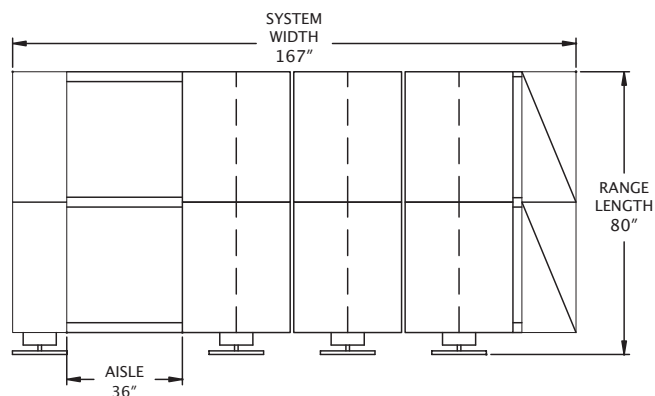
EML = Mobile Lite

36 = Overall shelving length in inches.

5 = Number of shelves per unit.

2 = Number of double face movable units.

X = X-ray media.



# FOUR POST SHELVING



GSA

DESKING

CASEGOODS

CONFERENCE &  
TRAINING TABLES

SEATING

STORAGE &  
FILING

SPECIALTY  
SOLUTIONS

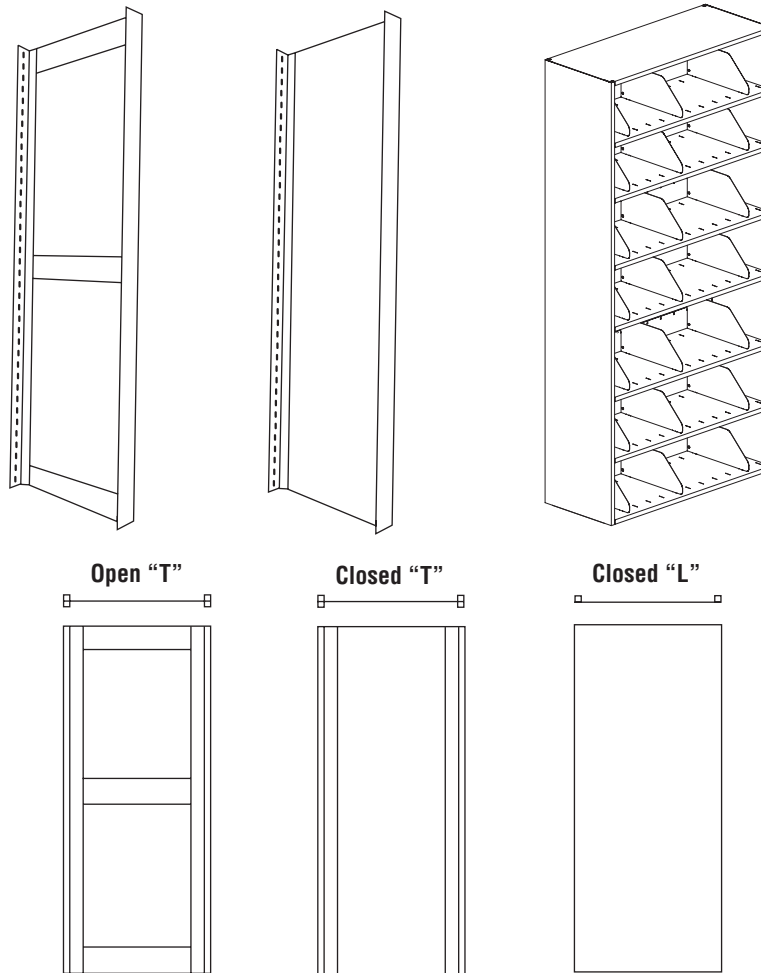
COM  
FORMS

PRODUCT  
INDEX

A complete starter section unit includes two uprights, the required number of shelves (24", 30", 36", 42" or 48" wide), center stops or back stops, shelf supports, shelf reinforcements as required, and one canopy top. Shelves are 22 gauge steel. Adder units include the previously mentioned parts with one upright, closed or open. (Note: Shelf supports and reinforcements are standard in Pebble Gray.) 240# capacity per shelf.

Choose from either closed "L" uprights, closed "T" uprights, or open "T" uprights. "T" uprights are normally for internal range support, while closed "L" uprights provide a more finished external appearance.

Dividers are not included, but are required when using standard common stops. Dividers adjust on 1 1/2" increments. Back panels are optional. Units sold open-back as standard.



## PRODUCT NUMBERING SYSTEM FOR FOUR POST SHELVING

Product Number Example: **EFL3624686S**

<b>E</b>	Even Dimension Four Post
<b>F</b>	Four Post Shelving
<b>L, T or O</b>	Shelving Type ("L" for Closed L-Upright, "T" for Closed T-Upright, and "O" for Open T-Upright.)
<b>36</b>	Shelving Width in Inches (24, 30, 36, 42 or 48)
<b>24</b>	Shelving Depth in Inches (9, 12, 15, 18, 24, or 30)
<b>86</b>	Upright Height in Inches (43, 65, 76, 86, or 97)
<b>8</b>	Number of Usable Shelves
<b>S</b>	Starter
<b>A</b>	Adder

**43" HEIGHT, THREE-TIER COMPLETE ASSEMBLIES (BINDER STORAGE)****Starter Units with Two Closed "L" Uprights**

Model No.	W	D	H	Wt.	List Price
EFL2409433S	24"	9"	43"	40#	\$391
EFL2412433S	24"	12"	43"	48#	\$371
EFL2415433S	24"	15"	43"	55#	\$391
EFL2418433S	24"	18"	43"	66#	\$485
EFL2424433S	24"	24"	43"	80#	\$509
EFL2430433S	24"	30"	43"	99#	\$569
EFL3009433S	30"	9"	43"	44#	\$391
EFL3012433S	30"	12"	43"	53#	\$371
EFL3015433S	30"	15"	43"	62#	\$391
EFL3018433S	30"	18"	43"	73#	\$489
EFL3024433S	30"	24"	43"	89#	\$511
EFL3030433S	30"	30"	43"	109#	\$571
EFL3609433S	36"	9"	43"	51#	\$391
EFL3612433S	36"	12"	43"	59#	\$374
EFL3615433S	36"	15"	43"	68#	\$395
EFL3618433S	36"	18"	43"	81#	\$496
EFL3624433S	36"	24"	43"	99#	\$522
EFL3630433S	36"	30"	43"	120#	\$571
EFL4209433S	42"	9"	43"	63#	\$403
EFL4212433S	42"	12"	43"	72#	\$394
EFL4215433S	42"	15"	43"	83#	\$433
EFL4218433S	42"	18"	43"	94#	\$513
EFL4224433S	42"	24"	43"	113#	\$554
EFL4230433S	42"	30"	43"	136#	\$623
EFL4809433S	48"	9"	43"	70#	\$443
EFL4812433S	48"	12"	43"	81#	\$440
EFL4815433S	48"	15"	43"	91#	\$472
EFL4818433S	48"	18"	43"	104#	\$553
EFL4824433S	48"	24"	43"	123#	\$603
EFL4830433S	48"	30"	43"	148#	\$664

**NOTE:** Recommend using laminate tops for more finished appearance. Special pricing provided by Space Planning.

**Adder Units with Open "T" Upright**

Model No.	W	D	H	Wt.	List Price
EF02409433A	24"	9"	43"	32#	\$306
EF02412433A	24"	12"	43"	35#	\$287
EF02415433A	24"	15"	43"	37#	\$301
EF02418433A	24"	18"	43"	42#	\$403
EF02424433A	24"	24"	43"	49#	\$419
EF02430433A	24"	30"	43"	59#	\$452
EF03009433A	30"	9"	43"	37#	\$306
EF03012433A	30"	12"	43"	40#	\$287
EF03015433A	30"	15"	43"	44#	\$301
EF03018433A	30"	18"	43"	49#	\$407
EF03024433A	30"	24"	43"	57#	\$421
EF03030433A	30"	30"	43"	68#	\$454
EF03609433A	36"	9"	43"	43#	\$306
EF03612433A	36"	12"	43"	46#	\$290
EF03615433A	36"	15"	43"	50#	\$305
EF03618433A	36"	18"	43"	57#	\$407
EF03624433A	36"	24"	43"	66#	\$421
EF03630433A	36"	30"	43"	79#	\$454
EF04209433A	42"	9"	43"	55#	\$318
EF04212433A	42"	12"	43"	59#	\$310
EF04215433A	42"	15"	43"	64#	\$343
EF04218433A	42"	18"	43"	71#	\$431
EF04224433A	42"	24"	43"	81#	\$464
EF04230433A	42"	30"	43"	95#	\$506
EF04809433A	48"	9"	43"	63#	\$358
EF04812433A	48"	12"	43"	68#	\$356
EF04815433A	48"	15"	43"	73#	\$382
EF04818433A	48"	18"	43"	80#	\$471
EF04824433A	48"	24"	43"	91#	\$513
EF04830433A	48"	30"	43"	108#	\$547

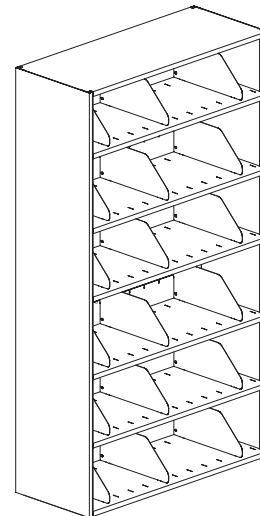
**With Closed "T" Upright**

Model No.	Wt.	List Price
EFT2409433A	32#	\$359
EFT2412433A	37#	\$342
EFT2415433A	42#	\$362
EFT2418433A	50#	\$465
EFT2424433A	60#	\$488
EFT2430433A	74#	\$543
EFT3009433A	36#	\$359
EFT3012433A	42#	\$342
EFT3015433A	49#	\$362
EFT3018433A	57#	\$469
EFT3024433A	69#	\$490
EFT3030433A	84#	\$545
EFT3609433A	43#	\$359
EFT3612433A	48#	\$345
EFT3615433A	55#	\$366
EFT3618433A	64#	\$469
EFT3624433A	77#	\$490
EFT3630433A	95#	\$545
EFT4209433A	55#	\$371
EFT4212433A	62#	\$365
EFT4215433A	69#	\$404
EFT4218433A	78#	\$493
EFT4224433A	92#	\$533
EFT4230433A	111#	\$597
EFT4809433A	62#	\$411
EFT4812433A	70#	\$411
EFT4815433A	78#	\$443
EFT4818433A	88#	\$533
EFT4824433A	103#	\$582
EFT4830433A	123#	\$638

**65" HEIGHT, SIX-TIER COMPLETE ASSEMBLIES**

**Starter Units with Two Closed "L" Uprights**

Model No.	W	D	H	Wt.	List Price
EFL2409656S	24"	9"	65"	67#	\$577
EFL2412656S	24"	12"	65"	79#	\$542
EFL2415656S	24"	15"	65"	91#	\$571
EFL2418656S	24"	18"	65"	109#	\$755
EFL2424656S	24"	24"	65"	133#	\$791
EFL2430656S	24"	30"	65"	165#	\$889
EFL3009656S	30"	9"	65"	75#	\$577
EFL3012656S	30"	12"	65"	88#	\$542
EFL3015656S	30"	15"	65"	103#	\$571
EFL3018656S	30"	18"	65"	120#	\$759
EFL3024656S	30"	24"	65"	148#	\$793
EFL3030656S	30"	30"	65"	182#	\$891
EFL3609656S	36"	9"	65"	87#	\$577
EFL3612656S	36"	12"	65"	87#	\$545
EFL3615656S	36"	15"	65"	114#	\$575
EFL3618656S	36"	18"	65"	134#	\$759
EFL3624656S	36"	24"	65"	163#	\$793
EFL3630656S	36"	30"	65"	201#	\$891
EFL4209656S	42"	9"	65"	110#	\$601
EFL4212656S	42"	12"	65"	125#	\$583
EFL4215656S	42"	15"	65"	142#	\$646
EFL4218656S	42"	18"	65"	159#	\$804
EFL4224656S	42"	24"	65"	192#	\$872
EFL4230656S	42"	30"	65"	232#	\$985
EFL4809656S	48"	9"	65"	124#	\$674
EFL4812656S	48"	12"	65"	140#	\$671
EFL4815656S	48"	15"	65"	157#	\$721
EFL4818656S	48"	18"	65"	178#	\$877
EFL4824656S	48"	24"	65"	211#	\$966
EFL4830656S	48"	30"	65"	254#	\$1065



**Adder Units with Open "T" Upright**

Model No.	W	D	H	Wt.	List Price
EFO2409656A	24"	9"	65"	55#	\$492
EFO2412656A	24"	12"	65"	60#	\$458
EFO2415656A	24"	15"	65"	64#	\$481
EFO2418656A	24"	18"	65"	74#	\$635
EFO2424656A	24"	24"	65"	86#	\$683
EFO2430656A	24"	30"	65"	105#	\$740
EFO3009656A	30"	9"	65"	64#	\$492
EFO3012656A	30"	12"	65"	69#	\$458
EFO3015656A	30"	15"	65"	76#	\$481
EFO3018656A	30"	18"	65"	86#	\$659
EFO3024656A	30"	24"	65"	101#	\$685
EFO3030656A	30"	30"	65"	122#	\$742
EFO3609656A	36"	9"	65"	75#	\$492
EFO3612656A	36"	12"	65"	80#	\$461
EFO3615656A	36"	15"	65"	87#	\$485
EFO3618656A	36"	18"	65"	99#	\$659
EFO3624656A	36"	24"	65"	116#	\$685
EFO3630656A	36"	30"	65"	141#	\$742
EFO4209656A	42"	9"	65"	99#	\$516
EFO4212656A	42"	12"	65"	101#	\$499
EFO4215656A	42"	15"	65"	115#	\$556
EFO4218656A	42"	18"	65"	126#	\$704
EFO4224656A	42"	24"	65"	145#	\$764
EFO4230656A	42"	30"	65"	172#	\$836
EFO4809656A	48"	9"	65"	113#	\$589
EFO4812656A	48"	12"	65"	121#	\$587
EFO4815656A	48"	15"	65"	130#	\$631
EFO4818656A	48"	18"	65"	144#	\$777
EFO4824656A	48"	24"	65"	164#	\$858
EFO4830656A	48"	30"	65"	186#	\$916

**With Closed "T" Upright**

Model No.	Wt.	List Price
EFT2409656A	54#	\$545
EFT2412656A	63#	\$513
EFT2415656A	71#	\$542
EFT2418656A	81#	\$696
EFT2424656A	102#	\$761
EFT2430656A	127#	\$846
EFT3009656A	63#	\$545
EFT3012656A	72#	\$513
EFT3015656A	83#	\$542
EFT3018656A	95#	\$733
EFT3024656A	117#	\$763
EFT3030656A	144#	\$848
EFT3609656A	74#	\$545
EFT3612656A	83#	\$516
EFT3615656A	94#	\$546
EFT3618656A	108#	\$733
EFT3624656A	132#	\$763
EFT3630656A	155#	\$806
EFT4209656A	98#	\$569
EFT4212656A	109#	\$554
EFT4215656A	122#	\$617
EFT4218656A	135#	\$778
EFT4224656A	161#	\$842
EFT4230656A	194#	\$942
EFT4809656A	112#	\$642
EFT4812656A	124#	\$642
EFT4815656A	137#	\$692
EFT4818656A	153#	\$851
EFT4824656A	186#	\$1002
EFT4830656A	216#	\$1022

9", 12" and 15" are single entry only. 18", 24" and 30" deep are double entry.

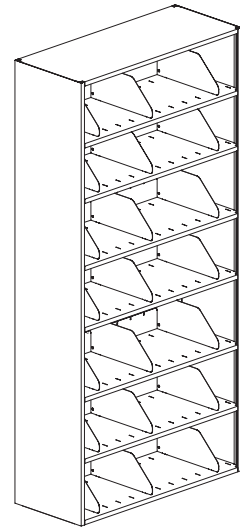
**DIVIDERS ARE NOT INCLUDED.** 3 dividers recommended per shelf. Dividers required for use with common stops. Shelves are 22-gauge.

DESKING  
CASEGOODS  
CONFERENCE & TRAINING TABLES  
SEATING  
STORAGE & FILING  
SPECIALTY SOLUTIONS  
COMM FORMS  
PRODUCT INDEX

## 76" HEIGHT, SEVEN-TIER COMPLETE ASSEMBLIES

## Starter Units with Two Closed "L" Uprights

Model No.	W	D	H	Wt.	List Price
EFL2409767S	24"	9"	76"	77#	\$661
EFL2412767S	24"	12"	76"	92#	\$621
EFL2415767S	24"	15"	76"	104#	\$647
EFL2418767S	24"	18"	76"	112#	\$849
EFL2424767S	24"	24"	76"	153#	\$913
EFL2430767S	24"	30"	76"	191#	\$1039
EFL3009767S	30"	9"	76"	86#	\$661
EFL3012767S	30"	12"	76"	102#	\$621
EFL3015767S	30"	15"	76"	118#	\$647
EFL3018767S	30"	18"	76"	126#	\$853
EFL3024767S	30"	24"	76"	171#	\$915
EFL3030767S	30"	30"	76"	210#	\$1041
EFL3609767S	36"	9"	76"	100#	\$661
EFL3612767S	36"	12"	76"	115#	\$624
EFL3615767S	36"	15"	76"	131#	\$651
EFL3618767S	36"	18"	76"	141#	\$853
EFL3624767S	36"	24"	76"	188#	\$915
EFL3630767S	36"	30"	76"	232#	\$1041
EFL4209767S	42"	9"	76"	127#	\$689
EFL4212767S	42"	12"	76"	145#	\$668
EFL4215767S	42"	15"	76"	163#	\$733
EFL4218767S	42"	18"	76"	172#	\$905
EFL4224767S	42"	24"	76"	222#	\$1006
EFL4230767S	42"	30"	76"	267#	\$1149
EFL4809767S	48"	9"	76"	143#	\$773
EFL4812767S	48"	12"	76"	163#	\$770
EFL4815767S	48"	15"	76"	181#	\$820
EFL4818767S	48"	18"	76"	192#	\$989
EFL4824767S	48"	24"	76"	251#	\$1192
EFL4830767S	48"	30"	76"	293#	\$1242



## Adder Units with Open "T" Upright

Model No.	W	D	H	Wt.	List Price
EFO2409767A	24"	9"	76"	63#	\$563
EFO2412767A	24"	12"	76"	69#	\$524
EFO2415767A	24"	15"	76"	73#	\$553
EFO2418767A	24"	18"	76"	86#	\$738
EFO2424767A	24"	24"	76"	98#	\$772
EFO2430767A	24"	30"	76"	121#	\$849
EFO3009767A	30"	9"	76"	73#	\$563
EFO3012767A	30"	12"	76"	79#	\$524
EFO3015767A	30"	15"	76"	87#	\$553
EFO3018767A	30"	18"	76"	99#	\$742
EFO3024767A	30"	24"	76"	116#	\$774
EFO3030767A	30"	30"	76"	140#	\$851
EFO3609767A	36"	9"	76"	86#	\$563
EFO3612767A	36"	12"	76"	92#	\$527
EFO3615767A	36"	15"	76"	100#	\$557
EFO3618767A	36"	18"	76"	115#	\$742
EFO3624767A	36"	24"	76"	133#	\$774
EFO3630767A	36"	30"	76"	162#	\$851
EFO4209767A	42"	9"	76"	114#	\$591
EFO4212767A	42"	12"	76"	122#	\$571
EFO4215767A	42"	15"	76"	132#	\$639
EFO4218767A	42"	18"	76"	146#	\$794
EFO4224767A	42"	24"	76"	167#	\$865
EFO4230767A	42"	30"	76"	197#	\$959
EFO4809767A	48"	9"	76"	130#	\$675
EFO4812767A	48"	12"	76"	140#	\$673
EFO4815767A	48"	15"	76"	150#	\$726
EFO4818767A	48"	18"	76"	166#	\$878
EFO4824767A	48"	24"	76"	196#	\$1051
EFO4830767A	48"	30"	76"	223#	\$1052

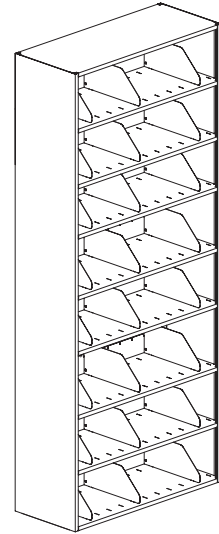
## With Closed "T" Upright

Model No.	Wt.	List Price
EFT2409767A	77#	\$763
EFT2412767A	73#	\$582
EFT2415767A	81#	\$613
EFT2418767A	101#	\$833
EFT2424767A	117#	\$867
EFT2430767A	147#	\$968
EFT3009767A	72#	\$619
EFT3012767A	83#	\$582
EFT3015767A	95#	\$613
EFT3018767A	115#	\$837
EFT3024767A	135#	\$869
EFT3030767A	166#	\$970
EFT3609767A	86#	\$619
EFT3612767A	96#	\$585
EFT3615767A	108#	\$617
EFT3618767A	130#	\$837
EFT3624767A	152#	\$869
EFT3630767A	188#	\$970
EFT4209767A	113#	\$647
EFT4212767A	126#	\$629
EFT4215767A	140#	\$699
EFT4218767A	161#	\$889
EFT4224767A	186#	\$960
EFT4230767A	223#	\$1078
EFT4809767A	129#	\$731
EFT4812767A	144#	\$731
EFT4815767A	158#	\$786
EFT4818767A	181#	\$973
EFT4824767A	215#	\$1146
EFT4830767A	249#	\$1171

## 86" HEIGHT, EIGHT-TIER COMPLETE ASSEMBLIES

### Starter Units with Two Closed "L" Uprights

Model No.	W	D	H	Wt.	List Price
EFL2409868S	24"	9"	86"	87#	\$729
EFL2412868S	24"	12"	86"	103#	\$684
EFL2415868S	24"	15"	86"	118#	\$723
EFL2418868S	24"	18"	86"	121#	\$985
EFL2424868S	24"	24"	86"	172#	\$1029
EFL2430868S	24"	30"	86"	216#	\$1153
EFL3009868S	30"	9"	86"	98#	\$729
EFL3012868S	30"	12"	86"	114#	\$684
EFL3015868S	30"	15"	86"	133#	\$723
EFL3018868S	30"	18"	86"	136#	\$989
EFL3024868S	30"	24"	86"	192#	\$1031
EFL3030868S	30"	30"	86"	238#	\$1155
EFL3609868S	36"	9"	86"	113#	\$729
EFL3612868S	36"	12"	86"	129#	\$687
EFL3615868S	36"	15"	86"	148#	\$727
EFL3618868S	36"	18"	86"	154#	\$989
EFL3624868S	36"	24"	86"	211#	\$1031
EFL3630868S	36"	30"	86"	262#	\$1155
EFL4209868S	42"	9"	86"	144#	\$761
EFL4212868S	42"	12"	86"	163#	\$737
EFL4215868S	42"	15"	86"	184#	\$820
EFL4218868S	42"	18"	86"	189#	\$1048
EFL4224868S	42"	24"	86"	249#	\$1134
EFL4230868S	42"	30"	86"	302#	\$1277
EFL4809868S	48"	9"	86"	162#	\$856
EFL4812868S	48"	12"	86"	183#	\$853
EFL4815868S	48"	15"	86"	204#	\$919
EFL4818868S	48"	18"	86"	212#	\$1143
EFL4824868S	48"	24"	86"	282#	\$1346
EFL4830868S	48"	30"	86"	332#	\$1383



### Adder Units with Open "T" Upright

Model No.	W	D	H	Wt.	List Price	Model No.	Wt.	List Price
EFO2409868A	24"	9"	86"	71#	\$625	EFT2409868A	71#	\$684
EFO2412868A	24"	12"	86"	77#	\$581	EFT2412868A	82#	\$652
EFO2415868A	24"	15"	86"	83#	\$613	EFT2415868A	92#	\$686
EFO2418868A	24"	18"	86"	95#	\$827	EFT2418868A	110#	\$924
EFO2424868A	24"	24"	86"	111#	\$863	EFT2424868A	132#	\$968
EFO2430868A	24"	30"	86"	136#	\$939	EFT2430868A	166#	\$1076
EFO3009868A	30"	9"	86"	81#	\$625	EFT3009868A	82#	\$684
EFO3012868A	30"	12"	86"	88#	\$581	EFT3012868A	93#	\$652
EFO3015868A	30"	15"	86"	98#	\$613	EFT3015868A	127#	\$854
EFO3018868A	30"	18"	86"	111#	\$831	EFT3018868A	152#	\$928
EFO3024868A	30"	24"	86"	108#	\$865	EFT3024868A	152#	\$970
EFO3030868A	30"	30"	86"	158#	\$941	EFT3030868A	188#	\$1078
EFO3609868A	36"	9"	86"	96#	\$625	EFT3609868A	97#	\$684
EFO3612868A	36"	12"	86"	103#	\$584	EFT3612868A	108#	\$655
EFO3615868A	36"	15"	86"	113#	\$617	EFT3615868A	122#	\$690
EFO3618868A	36"	18"	86"	128#	\$831	EFT3618868A	143#	\$928
EFO3624868A	36"	24"	86"	150#	\$865	EFT3624868A	171#	\$970
EFO3630868A	36"	30"	86"	182#	\$941	EFT3630868A	212#	\$1078
EFO4209868A	42"	9"	86"	128#	\$657	EFT4209868A	128#	\$716
EFO4212868A	42"	12"	86"	137#	\$634	EFT4212868A	128#	\$716
EFO4215868A	42"	15"	86"	149#	\$710	EFT4215868A	158#	\$783
EFO4218868A	42"	18"	86"	164#	\$890	EFT4218868A	178#	\$987
EFO4224868A	42"	24"	86"	188#	\$968	EFT4224868A	209#	\$1073
EFO4230868A	42"	30"	86"	222#	\$1063	EFT4230868A	252#	\$1200
EFO4809868A	48"	9"	86"	146#	\$752	EFT4809868A	146#	\$811
EFO4812868A	48"	12"	86"	157#	\$750	EFT4812868A	162#	\$821
EFO4815868A	48"	15"	86"	169#	\$809	EFT4815868A	178#	\$882
EFO4818868A	48"	18"	86"	186#	\$985	EFT4818868A	201#	\$1082
EFO4824868A	48"	24"	86"	221#	\$1180	EFT4824868A	242#	\$1285
EFO4830868A	48"	30"	86"	252#	\$1169	EFT4830868A	282#	\$1306

9", 12" and 15" are single entry only. 18", 24" and 30" deep are double entry.

**DIVIDERS ARE NOT INCLUDED.** 3 dividers recommended per shelf. Dividers required for use with common stops. Shelves are 22-gauge.

DESKING

CASEGOODS

CONFERENCE &  
TRAINING TABLES

SEATING

STORAGE &  
FILING

SPECIALTY  
SOLUTIONS

COMM  
FORMS

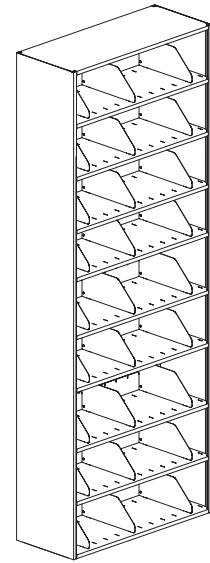
PRODUCT  
INDEX



## 97" HEIGHT, NINE-TIER COMPLETE ASSEMBLIES

## Starter Units with Two Closed "L" Uprights

Model No.	W	D	H	Wt.	List Price
EFL2409979S	24"	9"	97"	91#	\$753
EFL2412979S	24"	12"	97"	116#	\$765
EFL2415979S	24"	15"	97"	133#	\$801
EFL2418979S	24"	18"	97"	142#	\$1091
EFL2424979S	24"	24"	97"	190#	\$1145
EFL2430979S	24"	30"	97"	241#	\$1209
EFL3009979S	30"	9"	97"	111#	\$815
EFL3012979S	30"	12"	97"	128#	\$765
EFL3015979S	30"	15"	97"	150#	\$801
EFL3018979S	30"	18"	97"	159#	\$1095
EFL3024979S	30"	24"	97"	214#	\$1147
EFL3030979S	30"	30"	97"	263#	\$1267
EFL3609979S	36"	9"	97"	126#	\$815
EFL3612979S	36"	12"	97"	142#	\$768
EFL3615979S	36"	15"	97"	169#	\$805
EFL3618979S	36"	18"	97"	178#	\$1095
EFL3624979S	36"	24"	97"	236#	\$1147
EFL3630979S	36"	30"	97"	293#	\$1267
EFL4209979S	42"	9"	97"	161#	\$851
EFL4212979S	42"	12"	97"	183#	\$824
EFL4215979S	42"	15"	97"	207#	\$909
EFL4218979S	42"	18"	97"	218#	\$1161
EFL4224979S	42"	24"	97"	279#	\$1262
EFL4230979S	42"	30"	97"	338#	\$1403
EFL4809979S	48"	9"	97"	181#	\$957
EFL4812979S	48"	12"	97"	205#	\$954
EFL4815979S	48"	15"	97"	230#	\$1020
EFL4818979S	48"	18"	97"	243#	\$1267
EFL4824979S	48"	24"	97"	315#	\$1500
EFL4830979S	48"	30"	97"	370#	\$1522



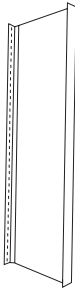
## Adder Units with Open "T" Upright

Model No.	W	D	H	Wt.	List Price
EFO2409979A	24"	9"	97"	80#	\$687
EFO2412979A	24"	12"	97"	86#	\$638
EFO2415979A	24"	15"	97"	92#	\$673
EFO2418979A	24"	18"	97"	107#	\$911
EFO2424979A	24"	24"	97"	121#	\$951
EFO2430979A	24"	30"	97"	150#	\$1035
EFO3009979A	30"	9"	97"	92#	\$687
EFO3012979A	30"	12"	97"	98#	\$638
EFO3015979A	30"	15"	97"	109#	\$673
EFO3018979A	30"	18"	97"	124#	\$915
EFO3024979A	30"	24"	97"	143#	\$953
EFO3030979A	30"	30"	97"	175#	\$1037
EFO3609979A	36"	9"	97"	109#	\$687
EFO3612979A	36"	12"	97"	115#	\$641
EFO3615979A	36"	15"	97"	126#	\$677
EFO3618979A	36"	18"	97"	143#	\$915
EFO3624979A	36"	24"	97"	165#	\$953
EFO3630979A	36"	30"	97"	202#	\$1037
EFO4209979A	42"	9"	97"	144#	\$723
EFO4212979A	42"	12"	97"	153#	\$697
EFO4215979A	42"	15"	97"	166#	\$770
EFO4218979A	42"	18"	97"	183#	\$981
EFO4224979A	42"	24"	97"	208#	\$1068
EFO4230979A	42"	30"	97"	247#	\$1173
EFO4809979A	48"	9"	97"	164#	\$829
EFO4812979A	48"	12"	97"	175#	\$827
EFO4815979A	48"	15"	97"	189#	\$892
EFO4818979A	48"	18"	97"	208#	\$1087
EFO4824979A	48"	24"	97"	244#	\$1306
EFO4830979A	48"	30"	97"	279#	\$1292

## With Closed "T" Upright

Model No.	Wt.	List Price
EFT2409979A	77#	\$757
EFT2412979A	92#	\$722
EFT2415979A	103#	\$758
EFT2418979A	115#	\$1021
EFT2424979A	147#	\$1069
EFT2430979A	129#	\$1185
EFT3009979A	91#	\$757
EFT3012979A	104#	\$722
EFT3015979A	120#	\$758
EFT3018979A	132#	\$1025
EFT3024979A	169#	\$1071
EFT3030979A	210#	\$1187
EFT3609979A	108#	\$757
EFT3612979A	121#	\$725
EFT3615979A	137#	\$762
EFT3618979A	151#	\$1025
EFT3624979A	191#	\$1071
EFT3630979A	237#	\$1187
EFT4209979A	143#	\$793
EFT4212979A	159#	\$781
EFT4215979A	177#	\$866
EFT4218979A	191#	\$1091
EFT4224979A	234#	\$1186
EFT4230979A	282#	\$1323
EFT4809979A	163#	\$899
EFT4812979A	181#	\$911
EFT4815979A	200#	\$977
EFT4818979A	216#	\$1197
EFT4824979A	270#	\$1424
EFT4830979A	314#	\$1442





**Closed "L"-Uprights**

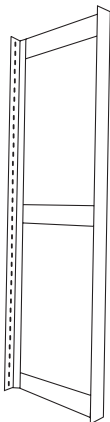
Model No.	D	Wt.	List Price	Model No.	D	Wt.	List Price
<b>43" Height</b>				<b>86" Height</b>			
EF0943L	9"	8#	\$76	EF0986L	9"	16#	\$90
EF1243L	12"	11#	\$76	EF1286L	12"	21#	\$90
EF1543L	15"	13#	\$80	EF1586L	15"	26#	\$96
EF1843L	18"	16#	\$86	EF1886L	18"	33#	\$126
EF2443L	24"	20#	\$90	EF2486L	24"	40#	\$130
EF3043L	30"	25#	\$105	EF3086L	30"	50#	\$157
<b>65" Height</b>				<b>97" Height</b>			
EF0965L	9"	12#	\$76	EF0997L	9"	18#	\$102
EF1265L	12"	16#	\$76	EF1297L	12"	24#	\$102
EF1565L	15"	20#	\$80	EF1597L	15"	30#	\$105
EF1865L	18"	24#	\$95	EF1897L	18"	35#	\$137
EF2465L	24"	31#	\$99	EF2497L	24"	45#	\$144
EF3065L	30"	38#	\$121	EF3097L	30"	56#	\$165
<b>76" Height</b>							
EF0976L	9"	14#	\$87				
EF1276L	12"	19#	\$87				
EF1576L	15"	23#	\$88				
EF1876L	18"	29#	\$100				
EF2476L	24"	36#	\$116				
EF3076L	30"	44#	\$148				

**Closed "T"-Uprights**

Model No.	D	Wt.	List Price	Model No.	D	Wt.	List Price
<b>43" Height</b>				<b>86" Height</b>			
EF0943T	9"	8#	\$120	EF0986T	9"	16#	\$135
EF1243T	12"	11#	\$123	EF1286T	12"	21#	\$148
EF1543T	15"	13#	\$131	EF1586T	15"	26#	\$155
EF1843T	18"	16#	\$152	EF1886T	18"	31#	\$191
EF2443T	24"	20#	\$159	EF2486T	24"	40#	\$199
EF3043T	30"	25#	\$184	EF3086T	30"	50#	\$237
<b>65" Height</b>				<b>97" Height</b>			
EF0965T	9"	12#	\$120	EF0997T	9"	18#	\$146
EF1265T	12"	16#	\$123	EF1297T	12"	24#	\$161
EF1565T	15"	20#	\$131	EF1597T	15"	30#	\$167
EF1865T	18"	25#	\$164	EF1897T	18"	37#	\$204
EF2465T	24"	31#	\$168	EF2497T	24"	45#	\$212
EF3065T	30"	38#	\$199	EF3097T	30"	56#	\$250
<b>76" Height</b>							
EF0976T	9"	14#	\$132				
EF1276T	12"	19#	\$135				
EF1576T	15"	23#	\$142				
EF1876T	18"	31#	\$184				
EF2476T	24"	36#	\$186				
EF3076T	30"	44#	\$225				

**Open Uprights (OP)**

Model No.	D	Wt.	List Price	Model No.	D	Wt.	List Price
<b>43" Height</b>				<b>86" Height</b>			
EF0943OP	9"	8 1/2#	\$67	EF0986OP	9"	16#	\$76
EF1243OP	12"	8 3/4#	\$68	EF1286OP	12"	16 1/2#	\$77
EF1543OP	15"	9#	\$70	EF1586OP	15"	17#	\$82
EF1843OP	18"	9 1/4#	\$90	EF1886OP	18"	17 1/2#	\$94
EF2443OP	24"	9 1/2#	\$90	EF2486OP	24"	19#	\$94
EF3043OP	30"	9 3/4#	\$93	EF3086OP	30"	20#	\$100
<b>65" Height</b>				<b>97" Height</b>			
EF0965OP	9"	13#	\$67	EF0997OP	9"	16#	\$76
EF1265OP	12"	13 1/4#	\$68	EF1297OP	12"	16 1/2#	\$77
EF1565OP	15"	13 1/2#	\$70	EF1597OP	15"	17#	\$82
EF1865OP	18"	13 3/4#	\$90	EF1897OP	18"	17 1/2#	\$94
EF2465OP	24"	15#	\$90	EF2497OP	24"	19#	\$94
EF3065OP	30"	16#	\$93	EF3097OP	30"	20#	\$100
<b>76" Height</b>							
EF0976OP	9"	15#	\$76				
EF1276OP	12"	15 1/4#	\$77				
EF1576OP	15"	15 1/2#	\$82				
EF1876OP	18"	16#	\$89				
EF2476OP	24"	17#	\$91				
EF3076OP	30"	18#	\$106				

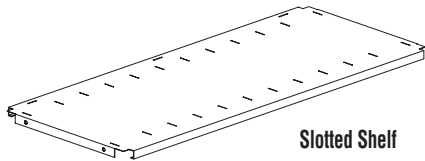


## COMPONENTS

## Slotted Shelves (SLF) – 22-Gauge

Model No.	D	Wt.	List Price
<b>24" Width</b>			
EF2409S	9"	2 1/2#	\$29
EF2412S	12"	3 1/4#	\$24
EF2415S	15"	3 3/4#	\$27
EF2418S	18"	4 1/2#	\$44
EF2424S	24"	5 3/4#	\$44
EF2430S	30"	7#	\$49
<b>30" Width</b>			
EF3009S	9"	3#	\$29
EF3012S	12"	3 3/4#	\$24
EF3015S	15"	4 3/4#	\$27
EF3018S	18"	5 1/2#	\$44
EF3024S	24"	7 1/4#	\$44
EF3030S	30"	8 3/4#	\$49
<b>36" Width</b>			
EF3609S	9"	3 3/4#	\$29
EF3612S	12"	4 1/2#	\$24
EF3615S	15"	5 1/2#	\$27
EF3618S	18"	6 1/2#	\$44
EF3624S	24"	8 1/2#	\$44
EF3630S	30"	10 1/2#	\$49
<b>42" Width</b>			
EF4209S	9"	4 1/4#	\$32
EF4212S	12"	5 1/4#	\$29
EF4215S	15"	6 1/2#	\$37
EF4218S	18"	7 1/2#	\$50
EF4224S	24"	9 3/4#	\$55
EF4230S	30"	12#	\$62
<b>48" Width</b>			
EF4809S	9"	4 3/4#	\$37
EF4812S	12"	6#	\$37
EF4815S	15"	7 1/4#	\$43
EF4818S	18"	8 1/2#	\$55
EF4824S	24"	11#	\$64
EF4830S	30"	13 3/4#	\$69

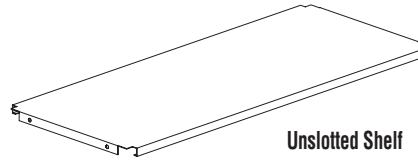
**Note:** Order two supports per shelf. Shelves are slotted to accept dividers on 3" centers/increments.



Slotted Shelf

## Unslotted Shelves, or Canopy Top (SU) – 22-Gauge

Model No.	D	Wt.	List Price
<b>24" Width</b>			
EF2409U	9"	2 1/2#	\$29
EF2412U	12"	3 1/4#	\$24
EF2415U	15"	3 3/4#	\$27
EF2418U	18"	4 1/2#	\$37
EF2424U	24"	5 3/4#	\$41
EF2430U	30"	7#	\$47
<b>30" Width</b>			
EF3009U	9"	3#	\$29
EF3012U	12"	3 3/4#	\$24
EF3015U	15"	4 3/4#	\$27
EF3018U	18"	5 1/2#	\$41
EF3024U	24"	7 1/4#	\$43
EF3030U	30"	8 3/4#	\$49
<b>36" Width</b>			
EF3609U	9"	3 3/4#	\$29
EF3612U	12"	4 1/2#	\$27
EF3615U	15"	5 1/2#	\$31
EF3618U	18"	6 1/2#	\$41
EF3624U	24"	8 1/2#	\$43
EF3630U	30"	10 1/2#	\$49
<b>42" Width</b>			
EF4209U	9"	4 1/4#	\$29
EF4212U	12"	5 1/4#	\$29
EF4215U	15"	6 1/2#	\$36
EF4218U	18"	7 1/2#	\$44
EF4224U	24"	9 3/4#	\$50
EF4230U	30"	12#	\$59
<b>48" Width</b>			
EF4809U	9"	4 3/4#	\$36
EF4812U	12"	6#	\$33
EF4815U	15"	7 1/4#	\$39
EF4818U	18"	8 1/2#	\$51
EF4824U	24"	11#	\$54
EF4830U	30"	13 3/4#	\$61



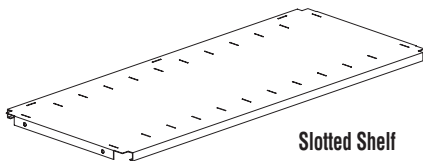
Unslotted Shelf

## COMPONENTS

## Slotted Shelves (SLS) – 18-Gauge

Model No.	D	Wt.	List Price
<b>24" Width</b>			
EF2409S18GA	9"	4#	\$46
EF2412S18GA	12"	5#	\$52
EF2415S18GA	15"	5 3/4#	\$53
EF2418S18GA	18"	7#	\$54
EF2424S18GA	24"	9 1/4#	\$109
EF2430S18GA	30"	11 1/2#	\$112
<b>30" Width</b>			
EF3009S18GA	9"	4 3/4#	\$47
EF3012S18GA	12"	6#	\$53
EF3015S18GA	15"	7 1/2#	\$54
EF3018S18GA	18"	8 3/4#	\$55
EF3024S18GA	24"	11 1/4#	\$112
EF3030S18GA	30"	14#	\$114
<b>36" Width</b>			
EF3609S18GA	9"	5 3/4#	\$47
EF3612S18GA	12"	7 1/4#	\$53
EF3615S18GA	15"	8 3/4#	\$54
EF3618S18GA	18"	10 1/4#	\$59
EF3624S18GA	24"	13 1/2#	\$112
EF3630S18GA	30"	16 1/2#	\$114
<b>42" Width</b>			
EF4209S18GA	9"	6 1/2#	\$54
EF4212S18GA	12"	8 1/2#	\$56
EF4215S18GA	15"	10 1/4#	\$59
EF4218S18GA	18"	12#	\$61
EF4224S18GA	24"	15 1/2#	\$115
EF4230S18GA	30"	19 1/4#	\$116
<b>48" Width</b>			
EF4809S18GA	9"	7 1/2#	\$56
EF4812S18GA	12"	9 1/2#	\$59
EF4815S18GA	15"	11 1/2#	\$60
EF4818S18GA	18"	13 3/4#	\$62
EF4824S18GA	24"	17 3/4#	\$117
EF4830S18GA	30"	21 3/4#	\$119

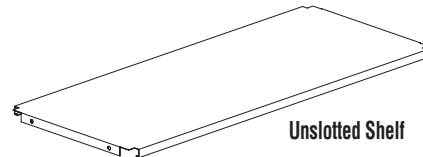
Note: Order two supports per shelf. Shelves are slotted to accept dividers on 3" centers/increments.



Slotted Shelf

## Unslotted Shelves, or Canopy Top (SU) – 18-Gauge

Model No.	D	Wt.	List Price
<b>24" Width</b>			
EF2409U18GA	9"	4#	\$43
EF2412U18GA	12"	5#	\$47
EF2415U18GA	15"	5 3/4#	\$49
EF2418U18GA	18"	7#	\$51
EF2424U18GA	24"	9 1/4#	\$86
EF2430U18GA	30"	11 1/2#	\$88
EF2436U18GA	36"	13 1/4#	\$102
<b>30" Width</b>			
EF3009U18GA	9"	4 3/4#	\$45
EF3012U18GA	12"	6#	\$50
EF3015U18GA	15"	7 1/2#	\$54
EF3018U18GA	18"	8 3/4#	\$54
EF3024U18GA	24"	11 1/4#	\$109
EF3030U18GA	30"	14#	\$112
EF3036U18GA	36"	16 1/2#	\$114
<b>36" Width</b>			
EF3609U18GA	9"	5 3/4#	\$45
EF3612U18GA	12"	7 1/4#	\$53
EF3615U18GA	15"	8 3/4#	\$54
EF3618U18GA	18"	10 1/4#	\$59
EF3624U18GA	24"	13 1/2#	\$112
EF3630U18GA	30"	16 1/2#	\$114
EF3636U18GA	36"	19 1/2#	\$116
<b>42" Width</b>			
EF4209U18GA	9"	6 1/2#	\$50
EF4212U18GA	12"	8 1/2#	\$55
EF4215U18GA	15"	10 1/4#	\$56
EF4218U18GA	18"	12#	\$59
EF4224U18GA	24"	15 1/2#	\$113
EF4230U18GA	30"	19 1/4#	\$114
EF4236U18GA	36"	22 3/4#	\$116
<b>48" Width</b>			
EF4809U18GA	9"	7 1/2#	\$52
EF4812U18GA	12"	9 1/2#	\$59
EF4815U18GA	15"	11 1/2#	\$60
EF4818U18GA	18"	13 3/4#	\$56
EF4824U18GA	24"	17 3/4#	\$115
EF4830U18GA	30"	21 3/4#	\$114
EF4836U18GA	36"	26#	\$116

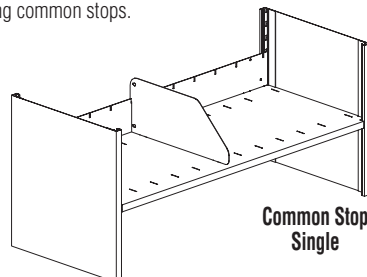
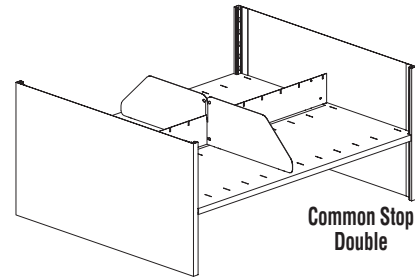


Unslotted Shelf

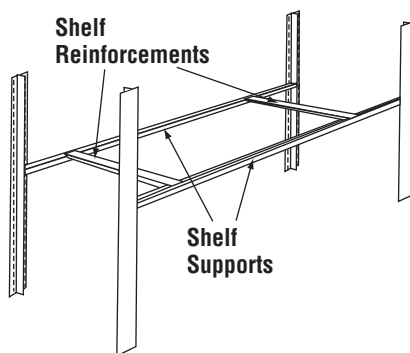
## Common Stops (CS)

Model No.	W	H	Wt.	List Price
EF24CS	24"	3 1/2"	1 1/4#	\$9
EF30CS	30"	3 1/2"	1 1/2#	\$9
EF36CS	36"	3 1/2"	1 1/2#	\$9
EF42CS	42"	3 1/2"	1 3/4#	\$10
EF48CS	48"	3 1/2"	2#	\$10

Note: Dividers are required when using common stops.

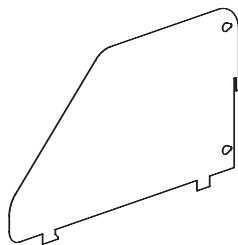
Common Stop  
SingleCommon Stop  
Double

## COMPONENTS



	24"	30"	36"	42"	48"
24"	1	1	1	1	2
30"	1	1	1	1	2
36"	2	2	2	2	2

Number of Shelf Reinforcements required per loaded shelf.



## Shelf Supports (SS)

Model No.	W	H	Wt.	List Price
EF2414SS	24"	3/4"	1 1/5#	\$12
EF2414SSPT	24"	3/4"	1 1/5#	\$18
EF2411SS	24"	3/4"	1 4/5#	\$12
EF2411SSPT	24"	3/4"	1 1/5#	\$18
EF3014SS	30"	3/4"	1 4/5#	\$12
EF3014SSPT	30"	3/4"	1 2/5#	\$18
EF3011SS	30"	3/4"	2 1/4#	\$11
EF3011SSPT	30"	3/4"	2 1/4#	\$18
EF3614SS	36"	3/4"	1 2/3#	\$12
EF3614SSPT	36"	3/4"	1 2/3#	\$18
EF3611SS	36"	3/4"	2 5/7#	\$12
EF3611SSPT	36"	3/4"	2 5/7#	\$18
EF4211SS	42"	3/4"	3 1/5#	\$12
EF4211SSPT	42"	3/4"	3 1/5#	\$18
EF4811SS	48"	3/4"	3 2/3#	\$15
EF4811SSPT	48"	3/4"	3 2/3#	\$18

Note: Shelf supports are not interchangeable with bottom shelf supports. Pebble Gray only.

## Shelf Support Bottom (SSB)

EF2414SSB	24"	3/4"	1 3/4#	\$12
EF2411SSB	24"	3/4"	3 2/3#	\$17
EF3014SSB	30"	3/4"	1 2/5#	\$12
EF3011SSB	30"	3/4"	2 1/4#	\$17
EF3614SSB	36"	3/4"	1 3/4#	\$12
EF3611SSB	36"	3/4"	2 5/7#	\$17
EF4214SSB	42"	3/4"	1 3/4#	\$12
EF4211SSB	42"	3/4"	3 1/4#	\$17
EF4814SSB	48"	3/4"	2 1/4#	\$12
EF4811SSB	48"	3/4"	3 2/3#	\$17

Note: Bottom shelf must be supported by bottom shelf supports when mounted on a mobile carriage. Graphite only.

## Shelf Reinforcements (SR) – Pebble Gray only.

Model No.	W	H	Wt.	List Price
F18SR	18"	3/4"	3/4#	\$7
F24SR	24"	3/4"	1#	\$11
F30SR	30"	3/4"	1 1/4#	\$7

Note: Pebble Gray only.

## Shelf Reinforcements (SRA) – Indicate color to match system.

Model No.	W	H	Wt.	List Price
F18SRA	18"	3/4"	3/4#	\$8
F24SRA	24"	3/4"	1#	\$14
F30SRA	30"	3/4"	1 1/4#	\$14

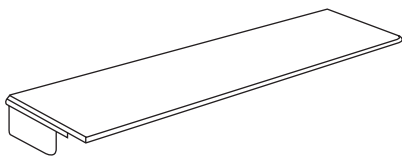
## Adjustable File Dividers (DV)

Standard Pack of 6:

Model No.	W	H	Wt.	List Price
F09DV6	9"	6"	3#	\$54
F12DV6	12"	6"	3 1/2#	\$36
F15DV6	15"	6"	4 1/2#	\$41

Standard Pack of 24:

Model No.	W	H	Wt.	List Price
F09DV24	9"	6"	12 1/2#	\$213
F12DV24	12"	6"	13 1/2#	\$142
F15DV24	15"	6"	17 1/2#	\$162



## Pullout Reference Shelves (RS)

Model No.	W	D	Wt.	List Price
EF24RS	24"	12"	14 1/2#	\$213
EF30RS	30"	12"	17 1/4#	\$227
EF36RS	36"	12"	20#	\$240
EF42RS	42"	12"	22#	\$253
EF48RS	48"	12"	25 3/4#	\$265

Note: Reference shelves cannot be used in conjunction with either the Security Shade or Kick Plates.

## Base Kick Plates (KP)

To be used with standard shelf supports on bottom shelf.

Model No.	W	D	Wt.	List Price
EF2402KP	24"	2"	1 1/8#	\$17
EF2406KP	24"	6"	2 3/4#	\$31
EF3002KP	30"	2"	1 1/4#	\$20
EF3006KP	30"	6"	3 1/4#	\$36
EF3602KP	36"	2"	2#	\$20
EF3606KP	36"	6"	4#	\$36
EF4202KP	42"	2"	2 1/4#	\$26
EF4206KP	42"	6"	4 3/4#	\$38
EF4802KP	48"	2"	2 1/2#	\$27
EF4806KP	48"	6"	5 1/2#	\$43

Note: Kick Plates cannot be used in conjunction with Reference Shelves.

**WIRE SHELVING**

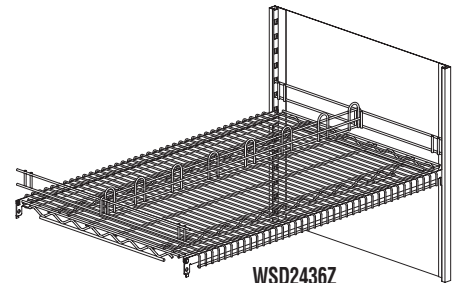
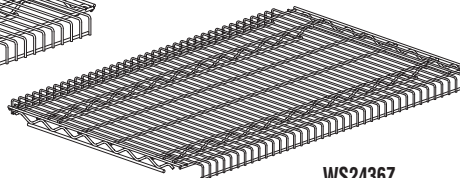
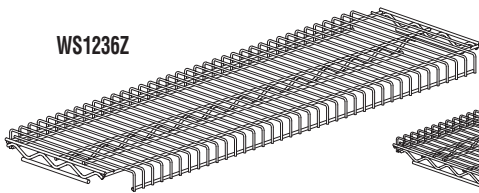
New zinc-plated shelving NSF-listed for dry storage only.

**Wire Shelves**

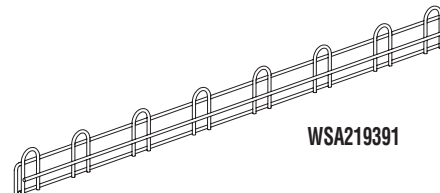
Model No.	W	Wt.	List Price
<b>12" Depth</b>			
WS1224Z	24"	5#	\$113
WS1236Z	36"	7#	\$124
WS1242Z	42"	8#	\$147
WS1248Z	48"	10#	\$155
<b>15" Depth</b>			
WS1530Z	30"	7#	\$113
WS1536Z	36"	8#	\$124
WS1542Z	42"	9#	\$147
WS1548Z	48"	10#	\$155
<b>18" Depth</b>			
WS1830Z	30"	8#	\$122
WS1836Z	36"	9#	\$134
WS1842Z	42"	11#	\$152
WS1848Z	48"	12#	\$161
<b>24" Depth</b>			
WS2430Z	30"	11#	\$152
WS2436Z	36"	13#	\$155
WS2442Z	42"	15#	\$186
WS2448Z	48"	16#	\$193
<b>30" Depth</b>			
WS3030Z	30"	14#	\$178
WS3036Z	36"	17#	\$186
WS3042Z	42"	19#	\$212
WS3048Z	48"	20#	\$230
<b>36" Depth</b>			
WS3636Z	36"	18#	\$222
WS3642Z	42"	22#	\$242
WS3648Z	48"	24#	\$254

**Optional Center Stop Assemblies**

Model No.	W	Wt.	List Price
<b>12" Depth</b>			
WSD1224Z	24"	2#	\$139
WSD1236Z	36"	2#	\$152
WSD1242Z	42"	2#	\$164
WSD1248Z	48"	2 1/8#	\$199
<b>15" Depth</b>			
WSD1530Z	30"	2 1/8#	\$195
WSD1536Z	36"	2 1/8#	\$247
WSD1542Z	42"	2 1/4#	\$258
WSD1548Z	48"	2 1/4#	\$272
<b>18" Depth</b>			
WSD1830Z	30"	2 1/4#	\$205
WSD1836Z	36"	2 1/4#	\$256
WSD1842Z	42"	2 3/8#	\$263
WSD1848Z	48"	2 3/8#	\$281
<b>24" Depth</b>			
WSD2430Z	30"	2 3/8#	\$226
WSD2436Z	36"	2 3/8#	\$276
WSD2442Z	42"	2 1/2#	\$286
WSD2448Z	48"	2 1/2#	\$298
<b>30" Depth</b>			
WSD3030Z	30"	2 1/2#	\$245
WSD3036Z	36"	2 1/2#	\$296
WSD3042Z	42"	2 1/2#	\$308
WSD3048Z	48"	2 1/2#	\$320
<b>36" Depth</b>			
WSD3636Z	36"	2 1/2#	\$359
WSD3642Z	42"	2 3/4#	\$374
WSD3648Z	48"	2 3/4#	\$386

**Additional Side-to-Side Partitions for Optional Center Stop Assemblies**

Model No.	W	Wt.	List Price
WSA219390	30"	1 7/8#	\$90
WSA219391	36"	1 7/8#	\$139
WSA219392	42"	2#	\$152
WSA219393	48"	2#	\$161

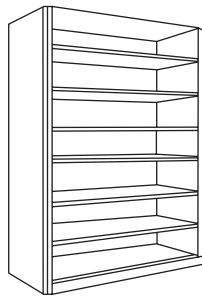
**Shelf Supports for Wire Shelving – Painted Steel**

Model No.	W	Wt.	List Price
EF2414WSSS	24"	1 1/4#	\$21
EF3014WSSS	30"	1 3/8#	\$21
EF3614WSSS	36"	1 3/4#	\$21
EF4211WSSS	42"	3 1/4#	\$21
EF4811WSSS	48"	3 5/8#	\$21

**Shelf Bottom Supports for Wire Shelving – Painted Steel**

Model No.	W	Wt.	List Price
EF24WSB	24"	2 1/4#	\$27
EF30WSB	30"	2 3/4#	\$27
EF36WSB	36"	3 3/8#	\$28
EF42WSB	42"	4#	\$32
EF48WSB	48"	4 5/8#	\$32

## SECURITY COMPONENTS

**Back Security Panels (BP)**

Used to enclose the back of a single faced unit.

Model No.	W	H	Wt.	List Price
EF2443BP	24"	43"	11#	\$206
EF3043BP	30"	43"	13 3/4#	\$209
EF3643BP	36"	43"	16 1/4#	\$210
EF4243BP	42"	43"	19#	\$212
EF4843BP	48"	43"	21 3/4#	\$222
EF2465BP	24"	65"	16 1/2#	\$230
EF3065BP	30"	65"	20 1/2#	\$232
EF3665BP	36"	65"	24 3/4#	\$232
EF4265BP	42"	65"	29#	\$238
EF4865BP	48"	65"	33#	\$240
EF2476BP	24"	76"	19 1/4#	\$236
EF3076BP	30"	76"	24#	\$238
EF3676BP	36"	76"	28 3/4#	\$238
EF4276BP	42"	76"	33 1/2#	\$243
EF4876BP	48"	76"	38 1/4#	\$261
EF2486BP	24"	86"	21 3/4#	\$236
EF3086BP	30"	86"	27 1/4#	\$247
EF3686BP	36"	86"	38 1/2#	\$247
EF4286BP	42"	86"	38#	\$269
EF4886BP	48"	86"	43 1/2#	\$291
EF2497BP	24"	97"	24 1/4#	\$286
EF3097BP	30"	97"	30 1/2#	\$291
EF3697BP	36"	97"	36 1/2#	\$291
EF4297BP	42"	97"	42 3/4#	\$330
EF4897BP	48"	97"	48 3/4#	\$342

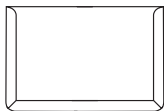
**Note:** Back security panels are designed as one full piece with no visible hardware. All panels ship in a crate. No additional upcharge for crating.

**Center Panels (CP)**

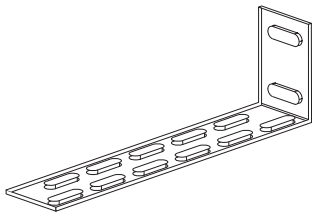
Used to close the center of back-to-back single faced units. Cannot be used with Four-Post double-faced shelving.

EF2443CP	24"	43"	11#	\$209
EF3043CP	30"	43"	13 3/4#	\$214
EF3643CP	36"	43"	16 1/4#	\$214
EF4243CP	42"	43"	19#	\$220
EF4843CP	48"	43"	21 3/4#	\$223
EF2465CP	24"	65"	16 1/2#	\$227
EF3065CP	30"	65"	20 1/2#	\$232
EF3665CP	36"	65"	24 3/4#	\$232
EF4265CP	42"	65"	29#	\$238
EF4865CP	48"	65"	33#	\$240
EF2476CP	24"	76"	19 1/4#	\$232
EF3076CP	30"	76"	24#	\$238
EF3676CP	36"	76"	28 3/4#	\$238
EF4276CP	42"	76"	33 1/2#	\$243
EF4876CP	48"	76"	38 1/2#	\$261
EF2486CP	24"	86"	21 1/4#	\$240
EF3086CP	30"	86"	27 1/4#	\$247
EF3686CP	36"	86"	32 1/2#	\$247
EF4286CP	42"	86"	38#	\$269
EF4886CP	48"	86"	43 1/2#	\$291
EF2497CP	24"	97"	24 1/4#	\$262
EF3097CP	30"	97"	30 1/2#	\$291
EF3697CP	36"	97"	36 1/2#	\$291
EF4297CP	42"	97"	42 3/4#	\$330
EF4897CP	48"	97"	48 3/4#	\$342

**Note:** Center panels are designed as one full piece with no visible hardware. All panels ship in a crate. No additional upcharge for crating.

**Card Holders (CH) – Standard Pack of 5:**

Model No.	W	D	Wt.	List Price
A35CH5	5"	3"	2 1/2#	\$125

**Wall Mounting Kit (WMK)**

Used to secure shelving to wall. Two brackets sold as pair. Anchoring hardware not included; to be purchased by installer.

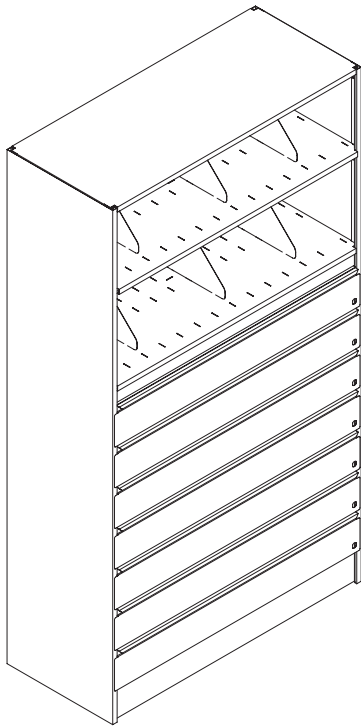
Model No.	Wt.	List Price
AWMK	2#	\$49



## FOUR POST ROLL OUT DRAWER TYPICALS

To increase the versatility of Four-Post shelving, Mayline has added Roll Out Drawer and Slatwall options. These options, in addition to our current shelving offer nearly unlimited solutions to meet your specific storage needs. Four-Post can now be used for weapons storage, backroom inventory, tools, medical supplies, or you can transfer your lateral files to Four-Post using roll out drawers. There are multiple accessories available to use with Slatwall for almost any storage requirement. When combined with our Mobile 1000 System, these options can be used to store almost anything efficiently.

Call 1-800-822-8037 for FREE DESIGN SERVICE to recommend the best solutions to your storage requirements.



### FOUR-POST TYPICAL #1

Four-Post Starter 36" x 76" x 18" with 7 - 6" drawers with three drawer partitions and one partition support per drawer; two shelves with dividers.

**EFSR367676S**      **List Price: \$5142**

Four-Post Adder 36" x 76" x 18" with 7 - 6" drawers; two shelves with dividers.

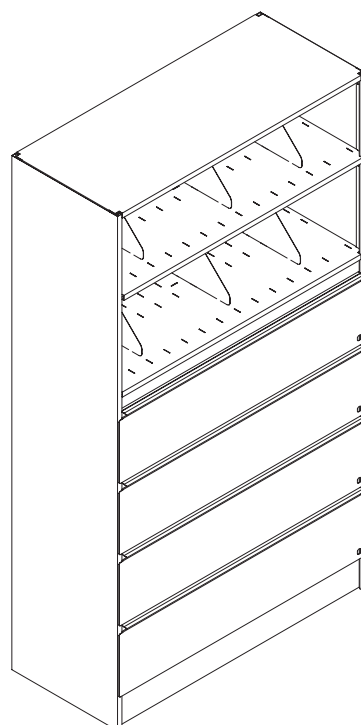
**EFSR367676A**      **List Price: \$5078**

One starter unit and number of required adder units are required if more than one 36" shelving unit is required side-by-side.

Additional partitions available.

**FPA6P**      **List Price: \$33**

\* Unit requires anchoring to the wall or floor.  
See wall anchor brackets page 238 for ordering information.



### FOUR-POST TYPICAL #2

Four-Post Starter 36" x 76" x 18" with 4 - 10 1/2" drawers; two shelves with dividers.

**EFSR3676410S**      **List Price: \$2994**

Four-Post Adder 36" x 76" x 18" with 4 - 10 1/2" drawers; two shelves with dividers.

**EFSR3676410A**      **List Price: \$2978**

One starter unit and number of required adder units are required if more than one 36" shelving unit is required side-by-side.

\* Unit requires anchoring to the wall or floor.  
See wall anchor brackets page 238 for ordering information.



**SPECIFICATIONS**

**Actual Width Dimensions**

Stationary or Mobile			Mobile Only		
Nominal Shelf Width	(LFI) Usable Space/Shelf	Actual Unit Width	Add for End Panel Assembly (Fix & Manual)	Add for End Panel Assembly w/Handle (1000 Systems)	Add for Clearance at Rear Wall
24	22 5/8"	24"	3 3/4"	8"	1"
30	28 5/8"	30"	3 3/4"	8"	1"
36	34 5/8"	36"	3 3/4"	8"	1"
42	40 5/8"	42"	3 3/4"	8"	1"
48	46 5/8"	48"	3 3/4"	8"	1"

**Actual Height Dimensions**

**Actual Base Dimensions (Base Depth\*)**

	Actual Height Dimensions					Actual Base Dimensions (Base Depth*)		
	43"	65"	76"	86"	97"	Nominal Shelf Depth	Fixed*	Manual or 1000
Upright	42 5/16"	65 5/16"	75 13/16"	86 5/16"	96 13/16"	9	N/A	N/A
Base & Track	N/A	6 1/4"	6 1/4"	6 1/4"	6 1/4"	12	12"	19"
Overall	N/A	71 9/16"	82 1/16"	92 9/16"	103 1/16"	15	15"	19"
						18	18"	19"
						24	24"	25"
						30	30"	31"
						36	36"	37"

\*Depth includes the 1" bumpers.

**Steel Material Gauges:**

Shelf	22	Shelf Reinforcement	14
Upright	18	Base Skirts	12
End Panel	18	Wheel Channel	18
Dividers	20	Shaft Diameter	3/4"
Shelf Support	14 & 11	Wheel Diameter	4 5/8"

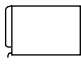
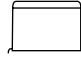

**Media Weight:**

Letter Size Material:	2# per LFI
Legal Size Material:	3# per LFI

**NOTE:** EACH SHELF HAS A MAXIMUM WEIGHT CAPACITY OF 240 LBS. MEDIA WEIGHT MUST BE EVENLY DISTRIBUTED BOTH VERTICALLY AND HORIZONTALLY.

**CONFIGURATION GUIDE**

**Configuration Guide for Mixed Media Applications**

Media	Description	Clearance Space	Upright Space Required
	Letter/Legal Side Tab	9 3/4"	10 1/2"
	Letter/Legal Standard Top Tab, 1/3 cut	11 1/4"	12"
	3-Ring Binders	12 3/4"	13 1/2"

To determine the height of a unit with media not listed above, first determine the height of the media and add 3/4". Then, round that figure up to the next number divisible by 1 1/2" (because the uprights are slotted on 1 1/2" centers), then multiply that number by the number of tiers desired. Then add 1 1/2" for space that is allotted for the reference shelf. Lastly, add 3/4" for the canopy.

**Media Storage Capacities**

Upright Height	Letter/Legal Side Tab	Letter/Std. Top Tab	3-Ring Binders
97" Upright	9	8	7
86" Upright	8	7	6
76" Upright	7	6	5
65" Upright	6	5	4
43" Upright	4	3	3

## FOUR-POST SHELVING ON KWIK-TRACK – LETTER DEPTH

To increase filing density, Four-Post Shelving can also mount to the Kwik-Track system creating either a bi-file or tri-file lateral sliding shelving system. In either configuration, the rear row of shelves are stationary with shelves in front mounted into a sliding carriage on a track mounted to the floor.

- Heavy-duty aluminum track construction supports 3,500# per carriage.
- Anti-tip built into base for stability and easy installation.
- Systems are complete with shelving and track systems. **Dividers are not included.** (see page 236)
- 240# weight capacity per shelf.
- Track system has a brushed aluminum finish. Floor mounting hardware included.
- Track adds 2 3/4" to overall height of shelving.
- Optional Security Back Panels available (see page 238).
- All systems are letter depth, 12"D shelving only.

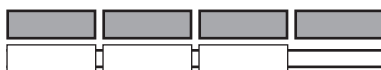
Model No.	Description	Dimensions	LFI	Wt.	List Price
<b>Starter/Adder Systems (does not include shelving)</b>					
<b>Dividers not included in systems</b>					
EFPL36721	2/1, 36"L, 7-High System	78"W x 27"D	728"	363#	\$3054
EFPL36732	3/2, 36"L, 7-High System	116"W x 27"D	1212"	597#	\$5219
EFPL36743	4/3, 36"L, 7-High System	156"W x 27"D	1697"	830#	\$7269
EFPL367211	2/1/1, 36"L, 7-High System	78"W x 42"D	970"	518#	\$4957
EFPL367322	3/2/2, 36"L, 7-High System	116"W x 42"D	1697"	893#	\$8760
EFPL367433	4/3/3, 36"L, 7-High System	156"W x 42"D	2424"	1268#	\$12333
EFPL36821	2/1, 36"L, 8-High System	78"W x 27"D	824"	402#	\$3237
EFPL36832	3/2, 36"L, 8-High System	116"W x 27"D	1385"	660#	\$5522
EFPL36843	4/3, 36"L, 8-High System	156"W x 27"D	1939"	918#	\$7692
EFPL368211	2/1/1, 36"L, 8-High System	78"W x 42"D	1108"	571#	\$5203
EFPL368322	3/2/2, 36"L, 8-High System	116"W x 42"D	1939"	984#	\$9189
EFPL368433	4/3/3, 36"L, 8-High System	156"W x 42"D	2770"	1398#	\$12945
EFPL42721	2/1, 42"L, 7-High System	90"W x 27"D	854"	726#	\$3323
EFPL42732	3/2, 42"L, 7-High System	137"W x 27"D	1422"	756#	\$5584
EFPL42743	4/3, 42"L, 7-High System	180"W x 27"D	1991"	1047#	\$7901
EFPL427211	2/1/1, 42"L, 7-High System	90"W x 42"D	1138"	646#	\$5407
EFPL427322	3/2/2, 42"L, 7-High System	137"W x 42"D	1991"	1071#	\$9358
EFPL427433	4/3/3, 42"L, 7-High System	180"W x 42"D	2844"	1585#	\$13421
EFPL42821	2/1, 42"L, 8-High System	90"W x 27"D	975"	507#	\$3524
EFPL42832	3/2, 42"L, 8-High System	137"W x 27"D	1625"	840#	\$5917
EFPL42843	4/3, 42"L, 8-High System	180"W x 27"D	2275"	1164#	\$8366
EFPL428211	2/1/1, 42"L, 8-High System	90"W x 42"D	1300"	715#	\$5677
EFPL428322	3/2/2, 42"L, 8-High System	137"W x 42"D	2275"	1243#	\$9829
EFPL428433	4/3/3, 42"L, 8-High System	180"W x 42"D	3250"	1756#	\$14093



**2/1**  
2 Rows; 2 Fixed, 1 Movable



**3/2**  
2 Rows; 3 Fixed, 2 Movable



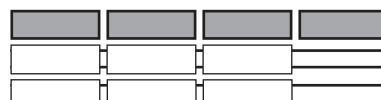
**4/3**  
2 Rows; 4 Fixed, 3 Movable



**2/1/1**  
3 Rows; 2 Fixed, 2 Movable



**3/2/2**  
3 Rows; 3 Fixed, 4 Movable



**4/3/3**  
3 Rows; 4 Fixed, 6 Movable

## FOUR-POST SHELVING ON KWIK-TRACK – LEGAL DEPTH

To increase filing density, Four-Post Shelving can also mount to the Kwik-Track system creating either a bi-file or tri-file lateral sliding shelving system. In either configuration, the rear row of shelves are stationary with shelves in front mounted into a sliding carriage on a track mounted to the floor.

- Heavy-duty aluminum track construction supports 3,500# per carriage.
- Anti-tip built into base for stability and easy installation.
- Systems are complete with shelving and track systems. **Dividers are not included.** (see page 236)
- Track system has a brushed aluminum finish. Floor mounting hardware included.
- Optional Security Back Panels available (see page 238).
- Track adds 2 3/4" to overall height of shelving.
- All systems are legal depth, 15"D shelving only.

Model No.	Description	Dimensions	LFI	Wt.	List Price
<b>Dividers not included in systems</b>					
<b>EFPG36721</b>	2/1, 36"L, 7-High System	78"W x 33"D	728"	405#	\$3151
<b>EFPG36732</b>	3/2, 36"L, 7-High System	116"W x 33"D	1212"	665#	\$5386
<b>EFPG36743</b>	4/3, 36"L, 7-High System	156"W x 33"D	1697"	924#	\$7506
<b>EFPG367211</b>	2/1/1, 36"L, 7-High System	78"W x 51"D	970"	578#	\$5094
<b>EFPG367322</b>	3/2/2, 36"L, 7-High System	116"W x 51"D	1697"	997#	\$9007
<b>EFPG367433</b>	4/3/3, 36"L, 7-High System	156"W x 51"D	2424"	1416#	\$12690
<b>EFPG36821</b>	2/1, 36"L, 8-High System	78"W x 33"D	824"	452#	\$3363
<b>EFPG36832</b>	3/2, 36"L, 8-High System	116"W x 33"D	1385"	714#	\$5734
<b>EFPG36843</b>	4/3, 36"L, 8-High System	156"W x 33"D	1939"	1030#	\$7990
<b>EFPG368211</b>	2/1/1, 36"L, 8-High System	78"W x 51"D	1108"	642#	\$5382
<b>EFPG368322</b>	3/2/2, 36"L, 8-High System	116"W x 51"D	1939"	1079#	\$9507
<b>EFPG368433</b>	4/3/3, 36"L, 8-High System	156"W x 51"D	2770"	1573#	\$13402
<b>EFPG42721</b>	2/1, 42"L, 7-High System	90"W x 33"D	854"	504#	\$3521
<b>EFPG42732</b>	3/2, 42"L, 7-High System	137"W x 33"D	1422"	833#	\$6028
<b>EFPG42743</b>	4/3, 42"L, 7-High System	180"W x 33"D	1991"	1156#	\$8349
<b>EFPG427211</b>	2/1/1, 42"L, 7-High System	90"W x 51"D	1138"	714#	\$5670
<b>EFPG427322</b>	3/2/2, 42"L, 7-High System	137"W x 51"D	1991"	1239#	\$10045
<b>EFPG427433</b>	4/3/3, 42"L, 7-High System	180"W x 51"D	2844"	1753#	\$14080
<b>EFPG42821</b>	2/1, 42"L, 8-High System	90"W x 33"D	975"	564#	\$3766
<b>EFPG42832</b>	3/2, 42"L, 8-High System	137"W x 33"D	1625"	931#	\$6431
<b>EFPG42843</b>	4/3, 42"L, 8-High System	180"W x 33"D	2275"	1293#	\$8910
<b>EFPG428211</b>	2/1/1, 42"L, 8-High System	90"W x 51"D	1300"	795#	\$6002
<b>EFPG428322</b>	3/2/2, 42"L, 8-High System	137"W x 51"D	2275"	1380#	\$10622
<b>EFPG428433</b>	4/3/3, 42"L, 8-High System	180"W x 51"D	3250"	1955#	\$14870



**2/1**  
2 Rows; 2 Fixed, 1 Movable



**2/1/1**  
3 Rows; 2 Fixed, 2 Movable



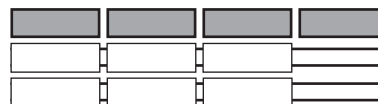
**3/2**  
2 Rows; 3 Fixed, 2 Movable



**3/2/2**  
3 Rows; 3 Fixed, 4 Movable



**4/3**  
2 Rows; 4 Fixed, 3 Movable

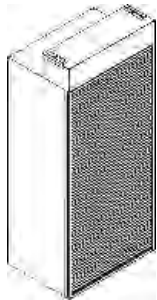


**4/3/3**  
3 Rows; 4 Fixed, 6 Movable

# THE SECURITY SHADE

The "Security Shade" a vertical locking tambour door, that provides an affordable alternative to purchasing new filing equipment. The Security Shade not only provides privacy, but also complies with HIPAA Guidelines.

- Can be easily installed on existing 4-Post shelving including most competitive shelving lines.
- Housing adds 8 1/4" in height and 11 1/2" in depth.
- Approximately 10 minutes to install.
- Do not need to remove existing files.
- Extends 4-Post shelving out by 2".
- Key lock.
- Doors are available in Graphite **only**. Housing available in all standard paints.



Model No.	W	D	H	Wt.	List Price	Mobile System List Price
SS3665	36"	2"	65"	50#	\$1163	\$1295
SS3676	36"	2"	76"	60#	\$1163	\$1295
SS3688	36"	2"	88"	70#	\$1246	\$1377
SS4265	42"	2"	65"	55#	\$1329	\$1461
SS4276	42"	2"	76"	65#	\$1329	\$1461
SS4288	42"	2"	88"	75#	\$1380	\$1512
SS4865	48"	2"	65"	60#	\$1432	\$1563
SS4876	48"	2"	76"	70#	\$1432	\$1563
SS4888	48"	2"	88"	80#	\$1480	\$1611

**Note:** Security Shade cannot be used in conjunction with a Reference Shelf.

## How to order Security Shade for a mobile system:

First, determine the appropriate type of mobile system you are using, then select the code next to your system in parentheses:

\* Mobile 1000 (1000)   \*Mobile Lite (ML)   \*4-Post on Kwik-Track (KT)

Next, add the code at the end of the appropriate Security Shade model number.

Example: If you have a 36" wide, 7-tier, 4-Post shelving on Kwik-Track, the appropriate model number would be SS3676KT.

# X-RAY SHELVING



A complete starter section unit includes two uprights, five shelves (24", 30", 36", 42", or 48" wide), five common stops, twelve shelf supports, shelf reinforcements as required, and one canopy top. Shelves are 18-ga. steel. An adder unit includes the previously mentioned paired with one closed upright. (Note Shelf reinforcements are standard in Pebble Gray.)

Choose from either closed "L" uprights or closed "T" uprights. "T" uprights are normally for internal range support, while closed "L" uprights provide a more finished external appearance.

- 1,000# weight capacity per shelf.
- 12 3/4" clearance between shelves.

**Dividers are not included**, but are required when using standard common stops.

Compatible with Mobile Aisle 1000 and Mobile Lite, but not Kwik-Track.

## PRODUCT NUMBERING SYSTEM FOR FOUR POST SHELVING

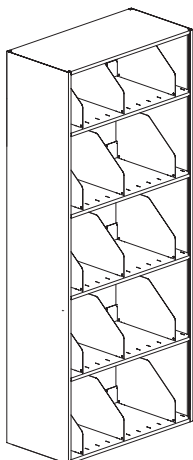
Product No. Example: **EX** X-Ray Shelving

**EXL3618865S**   **36** Shelving Width in Inches (24, 30, 36, 42, and 48)  
**86** Upright Height in Inches (only one height)

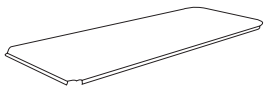
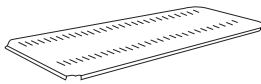
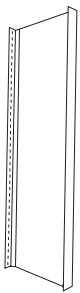
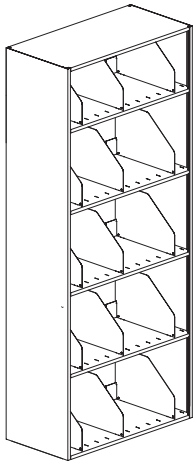
**L or T** Shelving Type ("L" for Closed L-Uprights, "T" for Closed T-Uprights)

**18** Shelving Depth in Inches (18 and 36)

**S** Starter



Model No.	W	D	H	Wt.	List Price
<b>Starter units with two Closed "L" Uprights</b>					
EXL2418865S	24"	18"	86"	136#	\$961
EXL2436865S	24"	36"	86"	276#	\$1555
EXL3018865S	30"	18"	86"	169#	\$934
EXL3036865S	30"	36"	86"	303#	\$1567
EXL3618865S	36"	18"	86"	172#	\$979
EXL3636865S	36"	36"	86"	331#	\$1584
EXL4218865S	42"	18"	86"	190#	\$974
EXL4236865S	42"	36"	86"	357#	\$1589
EXL4818865S	48"	18"	86"	211#	\$1001
EXL4836865S	48"	36"	86"	388#	\$1624

**X-RAY SHELVING (CONTINUED)**

Model No.	W	D	H	Wt.	List Price
<b>Adder units with Closed "T" Uprights</b>					
EXT2418865A	24"	18"	86"	125#	\$900
EXT2436865A	24"	36"	86"	216#	\$1364
EXT3018865A	30"	18"	86"	143#	\$873
EXT3036865A	30"	36"	86"	243#	\$1376
EXT3618865A	36"	18"	86"	161#	\$918
EXT3636865A	36"	36"	86"	271#	\$1393
EXT4218865A	42"	18"	86"	179#	\$913
EXT4236865A	42"	36"	86"	297#	\$1398
EXT4818865A	48"	18"	86"	201#	\$940
EXT4836865A	48"	36"	86"	328#	\$1433

**Closed "L" Uprights – 86" Height**

X1886L		18"		31#	\$140
X3686L		36"		61#	\$249

**Closed "T" Uprights – 86" Height**

X1886T		18"		31#	\$191
X3686T		36"		61#	\$307

**Slotted Shelves****18" Depth**

EX2418S	24"	18"		7#	\$53
EX3018S	30"	18"		8 3/4#	\$47
EX3618S	36"	18"		10 1/4#	\$55
EX4218S	42"	18"		12#	\$53
EX4818S	48"	18"		13 3/4#	\$59

**Note:** Order three supports per shelf. Shelves are 18-gauge.

**36" Depth**

EX2436S	24"	36"		13 1/4#	\$99
EX3036S	30"	36"		16 1/2#	\$99
EX3636S	36"	36"		19 3/4#	\$102
EX4236S	42"	36"		22 3/4#	\$102
EX4836S	48"	36"		26#	\$109

**Note:** Order three supports per shelf. Shelves are 18-gauge.

**Unslotted Shelves, or Canopy Top****18" Depth**

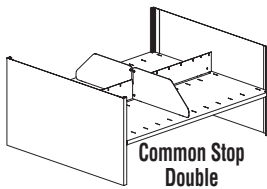
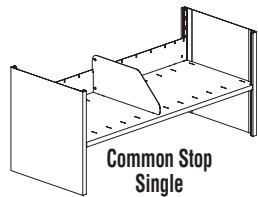
EF2418U18GA	24"	18"		7#	\$51
EF3018U18GA	30"	18"		8 3/4#	\$54
EF3618U18GA	36"	18"		10 1/4#	\$59
EF4218U18GA	42"	18"		12#	\$59
EF4818U18GA	48"	18"		13 3/4#	\$56

**36" Depth**

EF2436U18GA	24"	36"		13 1/4#	\$102
EF3036U18GA	30"	36"		16 1/2#	\$114
EF3636U18GA	36"	36"		19 1/2#	\$116
EF4236U18GA	42"	36"		22 3/4#	\$116
EF4836U18GA	48"	36"		26#	\$116

**Note:** Shelves are 18-gauge. Shelf Reinforcements are not required for the Canopy tops.

## X-RAY SHELVEING (CONTINUED)



Model No.	W	H	Wt.	List Price
<b>Common Stops (CS)</b>				
EF24CS	24"	3 1/2"	1 1/4#	\$9
EF30CS	30"	3 1/2"	1 1/2#	\$9
EF36CS	36"	3 1/2"	1 1/2#	\$9
EF42CS	42"	3 1/2"	1 3/4#	\$10
EF48CS	48"	3 1/2"	2#	\$10

Note: Dividers are required when using common stops.

### Shelf Supports (SS)

EX24SS	24"	1 1/4"	2 1/2#	\$19
EX30SS	30"	1 1/4"	3#	\$19
EX36SS	36"	1 1/4"	3 1/2#	\$19
EX42SS	42"	1 1/4"	4#	\$19
EX48SS	48"	1 1/4"	4 1/2#	\$19

Note: Shelf supports are not interchangeable with bottom shelf supports.

### Shelf Support Bottom (SSB)

EF2414SSB	24"	3/4"	1 3/4#	\$12
EF2411SSB	24"	3/4"	3 2/3#	\$17
EF3014SSB	30"	3/4"	1 2/5#	\$12
EF3011SSB	30"	3/4"	2 1/4#	\$17
EF3614SSB	36"	3/4"	1 3/4#	\$12
EF3611SSB	36"	3/4"	2 5/7#	\$17
EF4214SSB	42"	3/4"	1 3/4#	\$12
EF4211SSB	42"	3/4"	3 1/4#	\$17
EF4814SSB	48"	3/4"	2 1/4#	\$12
EF4811SSB	48"	3/4"	3 2/3#	\$17

Note: Bottom shelf must be supported by bottom shelf. Graphite only.

### Shelf Reinforcements (SR)

X18SR	18"	1 1/8"	1#	\$15
X36SR	36"	1 1/8"	1 1/2#	\$15

Note: Pebble Gray.

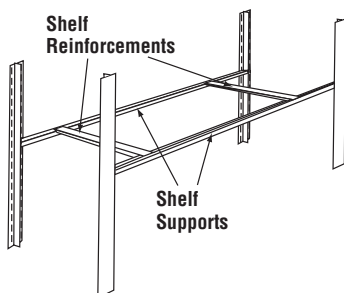
### Shelf Reinforcements (SRB)

X18SRB	18"	3/4"	3/4#	\$7
X36SRB	36"	3/4"	1 1/2#	\$7

Note: Pebble Gray.

### Adjustable File Dividers (DV) Standard Pack of 5:

X18DV5	18"	12"	13# per pack	\$88
--------	-----	-----	--------------	------



	24"	30"	36"	42"	48"
18"	2	2	2	2	2
36"	3	3	3	3	3

Number of Shelf Reinforcements required per loaded shelf.

# FILE HARBOR CABINETS



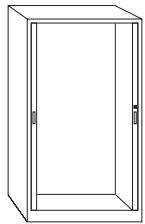
- Horizontally sliding tambour doors
- Doors recede into concealed inner pockets
- 100% access to files
- Adjustable shelves and dividers – shelves adjust on 1"H increments
- Shelf depth 14 3/4"; interior depth 16 1/2"; 10" clearance between shelves.
- All internal components standard in Graphite finish.
- For cabinets to be keyed alike, add a "K" to the end of the model number and refer to last column for list price.

**Interior Heights:**  
83"H = 76"H interior  
62"H = 55"H interior  
38"H = 34"H interior

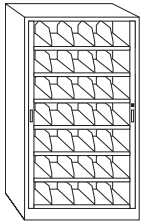
**Standard door colors:** Mist, Graphite, Pebble Gray, and Sand **only**

## CABINETS - 83" HEIGHT (76" INTERIOR HEIGHT)

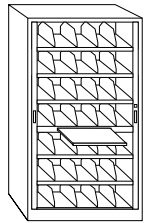
Model No.	Description	Size			Wt.	List Price	List Price Add "K" Suffix Keyed-Alike
		W	H	D			
<b>Empty Cabinet – built-in bottom shelf; add other components.</b>							
<b>83483</b>	48"W x 83"H	47 1/4"	83"	17 3/4"	245#	\$2572	\$2634
<b>83423</b>	42"W x 83"H	42"	83"	17 3/4"	220#	\$2399	\$2462
<b>83363</b>	36"W x 83"H	36"	83"	17 3/4"	200#	\$2163	\$2226



<b>Preconfigured Cabinet for color-coded end-tab filing. Includes 7 shelves with adjustable filing dividers.</b>								
<b>8348A3</b>	48"W x 83"H	4 dividers per shelf.	47 1/4"	83"	17 3/4"	355#	\$3540	\$3603
<b>8342A3</b>	42"W x 83"H	3 dividers per shelf.	42"	83"	17 3/4"	325#	\$3340	\$3403
<b>8336A3</b>	36"W x 83"H	3 dividers per shelf.	36"	83"	17 3/4"	290#	\$3115	\$3178

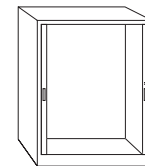


<b>Same as above except one standard shelf replaced with pull-out reference shelf.</b>								
<b>8348B3</b>	48"W x 83"H	4 dividers per shelf.	47 1/4"	83"	17 3/4"	364#	\$3732	\$3794
<b>8342B3</b>	42"W x 83"H	3 dividers per shelf.	42"	83"	17 3/4"	333#	\$3462	\$3525
<b>8336B3</b>	36"W x 83"H	3 dividers per shelf.	36"	83"	17 3/4"	298#	\$3292	\$3354

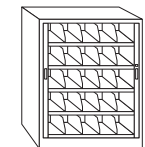


## FILE HARBOR CABINETS - 62" HEIGHT (55" INTERIOR HEIGHT)

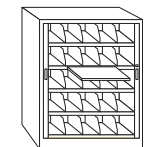
Model No.	Description	Size			Wt.	List Price	List Price Add "K" Suffix Keyed-Alike
		W	H	D			
<b>Empty 62"H Cabinet – built-in bottom shelf; add other components.</b>							
<b>62483</b>	48"W x 62"H	47 1/4"	61 1/2"	17 3/4"	200#	\$2108	\$2170
<b>62423</b>	42"W x 62"H	42"	61 1/2"	17 3/4"	188#	\$1982	\$2045
<b>62363</b>	36"W x 62"H	36"	61 1/2"	17 3/4"	175#	\$1901	\$1964



<b>Preconfigured Cabinet for color-coded end-tab filing. Includes 5 shelves with adjustable filing dividers.</b>								
<b>6248A3</b>	48"W x 62"H	4 dividers per shelf.	47 1/4"	61 1/2"	17 3/4"	284#	\$2831	\$2894
<b>6242A3</b>	42"W x 62"H	3 dividers per shelf.	42"	61 1/2"	17 3/4"	262#	\$2662	\$2724
<b>6236A3</b>	36"W x 62"H	3 dividers per shelf.	36"	61 1/2"	17 3/4"	237#	\$2542	\$2605

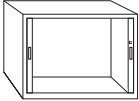


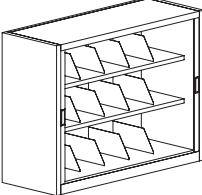
<b>Same as above except one standard shelf replaced with pull-out reference shelf.</b>								
<b>6248B3</b>	48"W x 62"H	4 dividers per shelf.	47 1/4"	61 1/2"	17 3/4"	298#	\$3110	\$3175
<b>6242B3</b>	42"W x 62"H	3 dividers per shelf.	42"	61 1/2"	17 3/4"	274#	\$2846	\$2908
<b>6236B3</b>	36"W x 62"H	3 dividers per shelf.	36"	61 1/2"	17 3/4"	247#	\$2720	\$2783





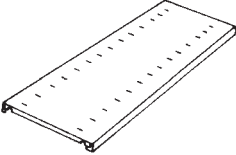

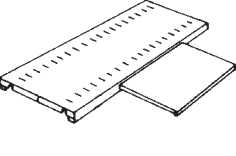
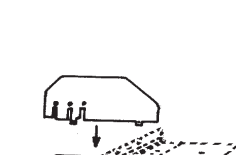
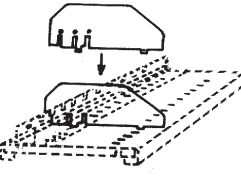
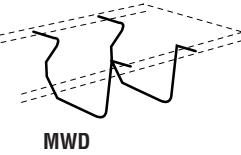
## FILE HARBOR CABINETS - 38" HEIGHT (34" INTERIOR HEIGHT)

Model No.	Description	Size			Wt.	List Price	List Price Add "K" Suffix Keyed-Alike	
		W	H	D				
<b>Empty 38"H Cabinet – built-in bottom shelf; add other components.</b>								
	<b>38483</b>	48"W x 38"H	47 1/4"	38"	17 3/4"	100#	\$1885	\$1948
	<b>38423</b>	42"W x 38"H	42"	38"	17 3/4"	90#	\$1825	\$1887
	<b>38363</b>	36"W x 38"H	36"	38"	17 3/4"	80#	\$1764	\$1827

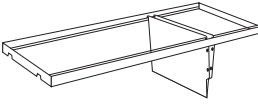
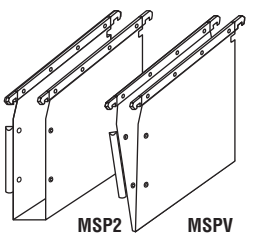
Model No.	Description	Size			Wt.	List Price	List Price Add "K" Suffix Keyed-Alike	
		W	H	D				
<b>Preconfigured Cabinet for color coded – end tab filing. Includes 3 shelves with adjustable filing components.</b>								
	<b>3848A3</b>	48"W x 38"H 4 dividers per shelf	47 1/4"	38"	17 3/4"	142#	\$2286	\$2349
	<b>3842A3</b>	42"W x 38"H 3 dividers per shelf	42"	38"	17 3/4"	130#	\$2200	\$2262
	<b>3836A3</b>	36"W x 38"H 3 dividers per shelf	36"	38"	17 3/4"	105#	\$2119	\$2182

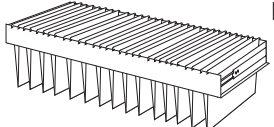
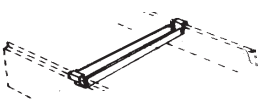
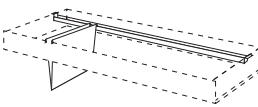
## FILE HARBOR COMPONENTS

- Shelves have a 200# weight capacity.
- Reference shelves have a 100# weight capacity.
- Dividers adjust on 2.5" increments.

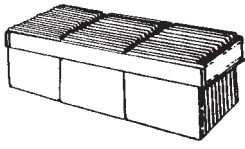
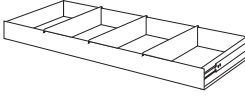
Model No.	Description	Size			Wt.	List Price	
		W	H	D			
	<b>MS4801</b>	<b>42" Shelf</b> (Fits 48"W cabinet.)	42"	1"	14 3/4"	15#	\$121
	<b>MS4802</b>	Package of 2 shelves				30#	\$214
	<b>MS4803</b>	Package of 3 shelves				45#	\$324
	<b>MS4201</b>	<b>37" Shelf</b> (Fits 42"W cabinet.)	36 3/4"	1"	14 3/4"	13#	\$105
	<b>MS4202</b>	Package of 2 shelves				26#	\$205
	<b>MS4203</b>	Package of 3 shelves				39#	\$317
	<b>MS3601</b>	<b>31" Shelf</b> (Fits 36"W cabinet.)	30 3/4"	1"	14 3/4"	11#	\$97
	<b>MS3602</b>	Package of 2 shelves				22#	\$201
	<b>MS3603</b>	Package of 3 shelves				33#	\$297
	<b>MRS48</b>	<b>42" Reference Shelf</b> (Fits 48"W cabinet.) Same as MS48 but with 18"W x 11"D pull-out slide.	42"	1"	14 3/4"	30#	\$440
	<b>MRS42</b>	<b>37" Reference Shelf</b> (Fits 42"W cabinet.)	36 3/4"	1"	14 3/4"	27#	\$425
	<b>MRS36</b>	<b>31" Reference Shelf</b> (Fits 36"W cabinet.)	30 3/4"	1"	14 3/4"	23#	\$412
	<b>MFD48</b>	<b>Adjustable Filing Dividers</b> (Fits 42"W shelf.) 4 adjustable filing dividers and 1 backstop for separating file folders.	—	6"	13"	4.8#	\$70
	<b>MFD42</b>	<b>Adjustable Filing Dividers</b> (Fits 37"W shelf.) 3 adjustable filing dividers and 1 backstop for separating file folders.	—	6"	13"	4.3#	\$68
	<b>MFD36</b>	<b>Adjustable Filing Dividers</b> (Fits 31"W shelf.) Same as above.	—	6"	13"	3.8#	\$63
	<b>MFD4</b>	<b>Set of 4 Extra Filing Dividers</b> No backstop.	—	6"	13"	4.0#	\$61
	<b>MWD</b>	<b>Wire Dividers</b> For separating binders or books on any shelf; package of 4 (suspend from shelf above).	1/4"	9"	14 3/4"	2#	\$175

## FILE HARBOR COMPONENTS (CONTINUED)

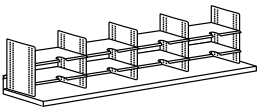
Model No.	Description	W	Size H	D	Wt.	List Price
 <b>MR4801</b>	<b>42" Rail</b> (Fits 48"W cabinet.) Accommodates MSP suspended pockets only.	42"	1"	14 3/4"	5#	\$152
<b>MR4802</b>	Package of 2 rails				10#	\$300
<b>MR4803</b>	Package of 3 rails				15#	\$455
<b>MR4201</b>	<b>37" Rail</b> (Fits 42"W cabinet.)	36 3/4"	1"	14 3/4"	4#	\$144
<b>MR4202</b>	Package of 2 rails				8#	\$294
<b>MR4203</b>	Package of 3 rails				12#	\$441
<b>MR3601</b>	<b>31" Rail</b> (Fits 36"W cabinet.)	30 3/4"	1"	14 3/4"	4#	\$140
<b>MR3602</b>	Package of 2 rails				8#	\$281
<b>MR3603</b>	Package of 3 rails				12#	\$421
<b>Note:</b> Rails in graphite only.						
 <b>MSP2</b>	<b>Suspended Pockets</b> End-tab 2"W box-bottom pocket hangs under Rail or Shelf. Set of 25, includes labels. Holds standard letter or legal-size file folders. Heavy-duty orange kraft.	2"	11"	13"	8#	\$225
<b>MSP1</b>	Same as above except 1"W box bottom.	1"	11"	13"	8#	\$206
<b>MSPV</b>	Same as above except V-bottom.	3/8"	11"	13"	7#	\$172
<b>911085</b>	Package of extra labels (qty. 216)				1#	\$50

Model No.	Description	W	Size H	D	Wt.	List Price
<b>Note:</b> Interlock mechanism included with each roll-out.						
 <b>MRF482</b>	<b>Roll-Out Frame</b> (Fits 48"W cabinet.) 39 1/4 filing inches. For legal-size hanging folders, print-outs, etc., in side-to-side format. To accommodate letter-size hanging folders, add MCM481.	40 3/4"	3 3/4"	15 3/4"	18#	\$416
<b>MRF422</b>	<b>Roll-Out Frame</b> (Fits 42"W cabinet.) 34 filing inches. To accommodate letter-size folders, add MCM421.	35 3/4"	3 3/4"	15 3/4"	17#	\$413
<b>MRF362</b>	<b>Roll-Out Frame</b> (Fits 36"W cabinet.) 28 filing inches. To accommodate letter-size folders, add MCM361.	29 3/4"	3 3/4"	15 3/4"	15#	\$407
 <b>MCM</b>	<b>Cross-Member</b> (front-to-back) Creates separations within Roll-Out Frame for filing front to back.	1 1/2"	3/4"	15 3/4"	1#	\$54
 <b>MCM481</b>	<b>Cross-Member</b> (side-to-side) (Fits MRF482.) For filing letter-size hanging folders side-to-side.	40 3/4"	3/4"	1 1/2"	2#	\$156
<b>MCM421</b>	<b>Cross-Member</b> (side-to-side) (Fits MRF422.)	35 3/4"	3/4"	1 1/2"	2#	\$140
<b>MCM361</b>	<b>Cross-Member</b> (side-to-side) (Fits MRF362.)	29 3/4"	3/4"	1 1/2"	2#	\$123

**FILE HARBOR COMPONENTS (CONTINUED)**

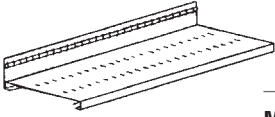
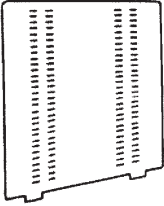
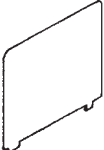
Model No.	Description	W	Size H	D	Wt.	List Price
 MRP482	<b>Roll-Out Frame for Pendaflex</b> (Fits 48"W cabinet.) Includes 2 Cross-Members; provides 3 rows of letter-size Pendaflex (45 filing inches).	40 3/4"	3 3/4"	15 3/4"	20#	\$547
MRP422	<b>Roll-Out Frame for Pendaflex</b> (Fits 42"W cabinet.) Includes 2 Cross-Members; provides 2 rows of letter-size Pendaflex (30 filing inches).	35 3/4"	3 3/4"	15 3/4"	19#	\$530
MRP362	<b>Roll-Out Frame for Pendaflex</b> (Fits 36"W cabinet.) Includes 2 Cross-Members; provides 2 rows of letter-size Pendaflex (30 filing inches).	29 3/4"	3 3/4"	15 3/4"	17#	\$480
 MRD482	<b>Roll-Out Drawer with Dividers</b> (Fits 48"W cabinet.) For storage of diskettes, other media. 3 dividers provided (adjust on 1/4" increments). <b>Interior:</b>	40 3/4"	3 3/4"	15 3/4"	27#	\$656
MRD422	<b>Roll-Out Drawer with Dividers</b> (Fits 42"W cabinet.) <b>Interior:</b>	35 3/4"	3 3/4"	15 3/4"	25#	\$624
MRD362	<b>Roll-Out Drawer with Dividers</b> (Fits 36"W cabinet.) <b>Interior:</b>	29 3/4"	3 3/4"	15 3/4"	23#	\$587
MDV	<b>Set of 3 Extra Dividers For Roll-Out Drawers</b> (Above.)		—		3.3#	\$82

(125# capacity)

Model No.	Description	W	Size H	D	Wt.	List Price
 M048C	<b>Kwik-File Organizing System</b> (Fits 48"W cabinet.) Preconfigured unit with 12 pockets (9 10"W x 4"H, 3 11"W x 4"H); for storage of forms, labels, sales literature. <b>Color:</b> Graphite only	42"	13 1/4"	14 3/4"	41#	\$552
M042C	<b>Kwik-File Organizing System</b> (Fits 42"W cabinet.) Same as above except 12 pockets (9"W x 4"H).	36 3/4"	13 3/4"	14 3/4"	38#	\$529
M036C	<b>Kwik-File Organizing System</b> (Fits 36"W cabinet.) Same as above except 9 pockets (10"W x 4"H).	30 3/4"	13 3/4"	14 3/4"	29#	\$455

DESKING  
CASEGOODS  
CONFERENCE & TRAINING TABLES  
SEATING  
STORAGE & FILING  
SPECIALTY SOLUTIONS  
COM FORMS  
PRODUCT INDEX

## FILE HARBOR COMPONENTS (CONTINUED)

Model No.	Description	Size			Wt.	List Price
		W	H	D		
	<b>MOS48</b> <b>42" Master Shelf</b> (Fits 48"W cabinet.) To build 41"W Kwik-File organizing system; accepts shelf supports, dividers, in 1" increments.	42"	5 1/4"	14 3/4"	12#	\$232
	<b>MOS42</b> <b>37" Master Shelf</b> (Fits 42" cabinet.) Same as above except builds 36"W organizing system.	36 3/4"	5 1/4"	14 3/4"	11#	\$225
	<b>MOS36</b> <b>31" Master Shelf</b> (Fits 36" cabinet.) Same as above except builds 30"W organizing system.	30 3/4"	5 1/4"	14 3/4"	9#	\$209
	<b>SS12LC</b> <b>Shelf Support</b> Supports shelves (below) on 1/2" vertical increments; mounts on Master Shelf. (Not compatible with MS48/MS36 shelves).	—	12"	12"	1.5#	\$27
	<b>D09GS03</b> <b>Dividers</b> (package of 3) To separate binders, manuals, etc.	—	9"	13 1/2"	6.9#	\$59
 <b>D09GS10</b> (package of 10)	—	9"	13 1/2"	23.0#	\$192	

**Kwik-Shelf® Shelving System**

Shelves fit between Shelf Supports to create sorting or storage pockets for paper, forms, or other media. Each shelf locks firmly in place, yet removes quickly for easy reconfiguration. Shelves are 18-gauge.

Width	Depth	Wt. per shelf	6-Shelf Package	
			Model No.	List Price
4"	12"	.5#	<b>0412P06</b>	\$78
5"	12"	.75#	<b>0512P06</b>	\$85
6"	12"	.75#	<b>0612P06</b>	\$88
7"	12"	1.0#	<b>0712P06</b>	\$90
8"	12"	1.05#	<b>0812P06</b>	\$106
9"	12"	1.05#	<b>0912P06</b>	\$116
10"	12"	1.15#	<b>1012P06</b>	\$123
11"	12"	1.25#	<b>1112P06</b>	\$130
12"	12"	1.4#	<b>1212P06</b>	\$132
14"	12"	2.3#	<b>1412P06</b>	\$179
16"	12"	2.8#	<b>1612P06</b>	\$208

## FILE HARBOR CABINETS ON KWIK-TRACK

To increase filing density, File Harbor Cabinets can also mount to the Kwik-Track system creating either a bi-file or tri-file lateral sliding cabinet system. In either configuration, the rear of cabinets are stationary with cabinets in front mounted into a sliding carriage on a track mounted to the floor.

- Heavy-duty aluminum track construction supports 3,500# per carriage.
- Anti-tip arm built into base for stability and easy installation.
- Systems are complete with pre-configured cabinets (see page 246) and track systems.
- Track system has a brushed aluminum finish. Floor mounting hardware included.
- Track adds 2 3/4" to overall height of system.

Model No.	Description	Dimensions	Wt.	LFI	List Price
FH3621	2/1 System	78"W x 38 1/2"D x 85"H	905#	651"	\$10487
FH3632	3/2 System	116"W x 38 1/2"D x 85"H	1520#	1085"	\$17644
FH3643	4/3 System	156"W x 38 1/2"D x 85"H	2135#	1519"	\$24685
FH36211	2/1/1 System	78"W x 59 1/4"D x 85"H	975#	868"	\$14843
FH36322	3/2/2 System	116"W x 59 1/4"D x 85"H	2170#	1519"	\$26093
FH36433	4/3/3 System	156"W x 59 1/4"D x 85"H	3110#	2170"	\$37110
FH4221	2/1 System	90"W x 38 1/2"D x 85"H	1010#	777"	\$11473
FH4232	3/2 System	137"W x 38 1/2"D x 85"H	1695#	1295"	\$19201
FH4243	4/3 System	180"W x 38 1/2"D x 85"H	2380#	1813"	\$26983
FH42211	2/1/1 System	90"W x 59 1/4"D x 85"H	1370#	1036"	\$16241
FH42322	3/2/2 System	137"W x 59 1/4"D x 85"H	2415#	1813"	\$28345
FH42433	4/3/3 System	180"W x 59 1/4"D x 85"H	3460#	2590"	\$40556
FH4821	2/1 System	99"W x 38 1/2"D x 85"H	1100#	882"	\$12052
FH4832	3/2 System	150"W x 38 1/2"D x 85"H	1900#	1470"	\$20324
FH4843	4/3 System	198"W x 38 1/2"D x 85"H	2650#	2058"	\$28518
FH48211	2/1/1 System	99"W x 59 1/4"D x 85"H	1500#	1176"	\$17085
FH48322	3/2/2 System	150"W x 59 1/4"D x 85"H	2700#	2058"	\$29874
FH48433	4/3/3 System	198"W x 59 1/4"D x 85"H	3700#	2940"	\$42672



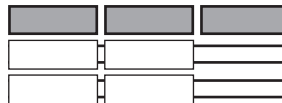
**2/1**  
2 Rows; 2 Fixed, 1 Movable



**2/1/1**  
3 Rows; 2 Fixed, 2 Movable



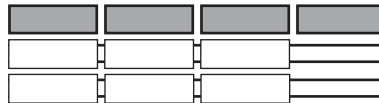
**3/2**  
2 Rows; 3 Fixed, 2 Movable



**3/2/2**  
3 Rows; 3 Fixed, 4 Movable



**4/3**  
2 Rows; 4 Fixed, 3 Movable



**4/3/3**  
3 Rows; 4 Fixed, 6 Movable

# FORMS/STORAGE CABINETS

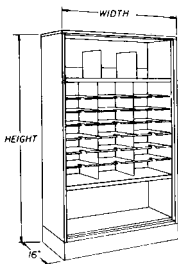


Kwik-File® F/S Cabinets provide efficient and convenient storage for the large quantities of forms or paper required in offices and mailrooms.

- Five preconfigured models available.
- All preconfigured models standard with 4"H (except where noted) x 12"D pockets adjustable on 1/2" H vertical increments.
- 50# capacity per shelf
- All-welded steel cabinet construction.
- Optional locking doors available.
- Build-your-own models available on pages 254-255.

## Configuration A

Stores binders, files and other items vertically on top; shelves in middle hold letter-sized materials; bulk storage below.

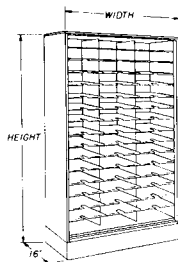


3665NA shown

Model No.	Width	Height	Features	Doors	Wt./ Cartons	List Price
<b>3665DA1</b>	36"	64 1/2"	21 Pockets	Yes	284# / 7	\$3400
<b>3665NA1</b>				No	239# / 7	\$2591
<b>3680DA1</b>	42"	64 1/2"	28 Pockets	Yes	329# / 7	\$3852
<b>3680NA1</b>				No	300# / 8	\$3021
<b>4265DA1</b>	42"	64 1/2"	28 Pockets	Yes	329# / 7	\$3852
<b>4265NA1</b>				No	278# / 7	\$2911
<b>4280DA1</b>	42"	80"	44 Pockets	Yes	407# / 8	\$4418
<b>4280NA1</b>				No	345# / 8	\$3404

## Configuration B

Pockets from top to bottom, maximizing storage density for letter-sized materials. Ideal for organizing or collating pages for brochures, bulletins, etc.

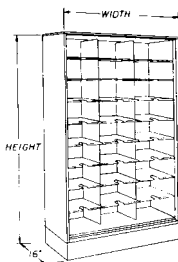


3665NB shown

Model No.	Width	Height	Features	Doors	Wt./ Cartons	List Price
<b>3665DB1</b>	36"	64 1/2"	42 Pockets	Yes	302# / 5	\$3507
<b>3665NB1</b>				No	257# / 5	\$2699
<b>3680DB1</b>	42"	64 1/2"	56 Pockets	Yes	374# / 5	\$4018
<b>3680NB1</b>				No	317# / 5	\$3143
<b>4265DB1</b>	42"	64 1/2"	56 Pockets	Yes	353# / 5	\$4022
<b>4265NB1</b>				No	302# / 5	\$3129
<b>4280DB1</b>	42"	80"	72 Pockets	Yes	429# / 6	\$4655
<b>4280NB1</b>				No	367# / 6	\$3677

## Configuration C

Same as B" above, but with 6" high pockets (4" high in all other preconfigured models).

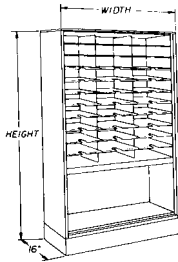


3665NC shown

Model No.	Width	Height	Features	Doors	Wt./ Cartons	List Price
<b>3665DC1</b>	36"	64 1/2"	27 Pockets	Yes	272# / 4	\$3446
<b>3665NC1</b>				No	227# / 4	\$2433
<b>3680DC1</b>	42"	64 1/2"	36 Pockets	Yes	338# / 5	\$3699
<b>3680NC1</b>				No	281# / 5	\$2826
<b>4265DC1</b>	42"	64 1/2"	36 Pockets	Yes	318# / 4	\$3691
<b>4265NC1</b>				No	267# / 4	\$2793
<b>4280DC1</b>	42"	80"	48 Pockets	Yes	387# / 5	\$4251
<b>4280NC1</b>				No	325# / 5	\$3272

## Configuration D

Pockets above for storing letter-sized materials; bulk storage below.



3665ND shown

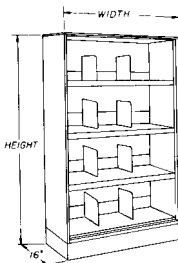
Model No.	Width	Height	Features	Doors	Wt./ Cartons	List Price
<b>3665DD1</b>	36"	64 1/2"	33 Pockets	Yes	293# / 6	\$3450
<b>3665ND1</b>				No	248# / 6	\$2643
<b>3680DD1</b>	42"	64 1/2"	42 Pockets	Yes	362# / 6	\$3899
<b>3680ND1</b>				No	305# / 6	\$3022
<b>4265DD1</b>	42"	64 1/2"	44 Pockets	Yes	340# / 5	\$3910
<b>4265ND1</b>				No	289# / 5	\$3016
<b>4280DD1</b>	42"	80"	56 Pockets	Yes	414# / 6	\$4454
<b>4280ND1</b>				No	352# / 6	\$3478

## Configuration E

For binders, files, other items stored vertically; or move dividers around and create bulk storage areas as well.

Note: 240# capacity per shelf.

3665NE shown



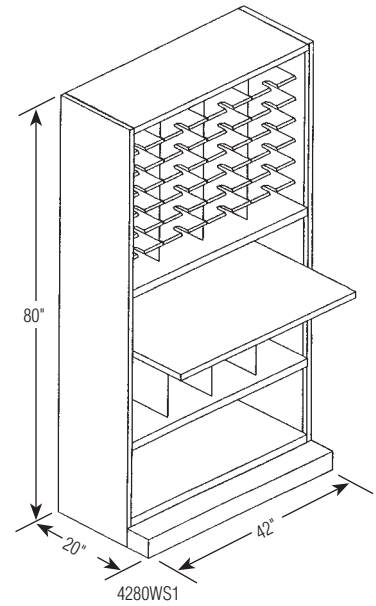
Model No.	Width	Height	Features	Doors	Wt./ Cartons	List Price
<b>3665DE1</b>	36"	64 1/2"	3 Adjustable Shelves	Yes	262# / 7	\$3210
<b>3665NE1</b>				No	217# / 7	\$2578
<b>3680DE1</b>	42"	64 1/2"	4 Adjustable Shelves	Yes	327# / 6	\$3643
<b>3680NE1</b>				No	270# / 6	\$2768
<b>4265DE1</b>	42"	64 1/2"	3 Adjustable Shelves	Yes	294# / 8	\$3482
<b>4265NE1</b>				No	243# / 8	\$2597
<b>4280DE1</b>	42"	80"	4 Adjustable Shelves	Yes	359# / 8	\$4146
<b>4280NE1</b>				No	297# / 8	\$2971

## COLLATING/SORTING WORKSTATION

These cabinets are ideal for departmental sorting or collating operations.

- 42"W models standard with 10"W pockets for storing forms, paper stock, brochures, etc.
- 36"W models standard with 11" and 12"W pockets for mail sorting.
- 1" thick low-pressure laminate work surface is 27"D and adjusts within cabinet on 1/2"H increments, 100 lb. capacity.
- All-welded steel cabinet construction.
- Steel back panel of cabinet has one 3" diameter cable management cutout.

Model No.	Width	Height	Features	Wt./ Cartons	List Price	Std. Laminate
						List Price
<b>3680WS1</b>	36"	80"	21 Pockets	202# / 8	\$2942	Lam Suffix
<b>4280WS1</b>	42"	80"	28 Pockets	247# / 8	\$3238	



DESKING

CASEGOODS

CONFERENCE &  
TRAINING TABLES

SEATING

STORAGE &  
FILING

SPECIALTY  
SOLUTIONS

COM  
FORMS

PRODUCT  
INDEX



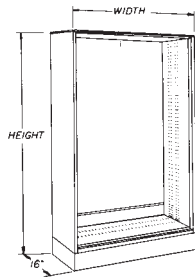
## FORMS/STORAGE CABINETS

### Create Your Own Cabinet Configuration

- Decide which of the four F/S Cabinet models is appropriate for your organizing/collating/storing/or storage needs. Models are available 36" wide or 42" wide, and 64 1/2" high or 80" high.
- Note the interior height and width of the model you specify (see specifications for Empty Cabinets below).
- Configure the empty cabinet with components as shown below such that the total height and width of the components fits the interior height and width of the cabinet. All components adjust on 1/2" vertical increments.

### Empty Cabinets

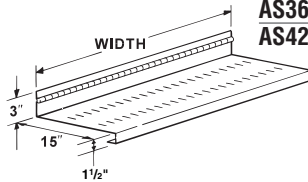
Depth, 16"; accommodate either 12" or 15" deep shelves. Sides have built-in shelf supports.



Model No.	Width		Height		Doors	Wt./ Cartons	List Price
	Int.	Ext.	Int.	Ext.			
<b>3665DX1</b>	34"	36"	57 1/2"	64 1/2"	Yes	194# / 1	\$2597
<b>3665NX1</b>					No	149# / 1	\$1853
<b>3680DX1</b>			73"	80"	Yes	230# / 1	\$2817
<b>3680NX1</b>					No	180# / 1	\$1926
<b>4265DX1</b>	40"	42"	57 1/2"	64 1/2"	Yes	217# / 1	\$2826
<b>4265NX1</b>					No	166# / 1	\$1905
<b>4280DX1</b>			73"	80"	Yes	258# / 1	\$3071
<b>4280NX1</b>					No	196# / 1	\$2071

### Adjustable Master Shelves

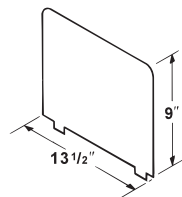
Adjust vertically on 1/2" increments. For bulk storage; or accepts shelf supports or dividers on 1" horizontal increments.



Model No.	Shelf Width	Wt./ Cartons	List Price
<b>AS36F</b>	34" (for 36"-wide cabinets)	16.8# / 1	\$179
<b>AS42F</b>	40" (for 42"-wide cabinets)	19.5# / 1	\$194

### Dividers

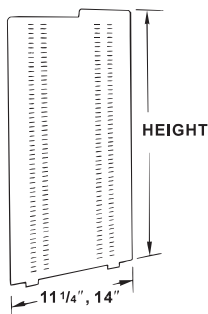
Separate binders or other media. Place on adjustable master shelves or cabinet bottom on 1" horizontal increments.



Model No.	Wt.	List Price
<b>D09GS03</b> (3)	6.9# / 1	\$59
<b>D09GS10</b> (10)	23.0# / 1	\$192

### Shelf Supports

Not needed at sides of cabinet where shelf support is built in. Place on cabinet bottom or adjustable master shelves on 1" horizontal increments.

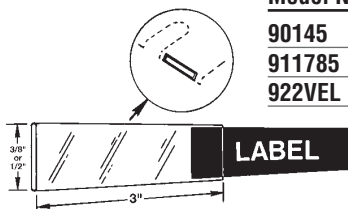


See page 281 for ordering more than 1 unit each.

Model No.	Height	Depth	For Shelf Depth of	Wt.	List Price
<b>SS24LM01</b>	21"	11 1/4"	12"	4.7#	\$45
<b>SS24GM01</b>		14"	15"	5.3#	\$55
<b>SS33LM01</b>	30"	11 1/4"	12"	6.0#	\$53
<b>SS33GM01</b>		14"	15"	7.0#	\$65
<b>SS41LM01</b>	38"	11 1/4"	12"	7.3#	\$65
<b>SS41GM01</b>		14"	15"	8.4#	\$76
<b>SS48LM01</b>	45"	11 1/4"	12"	8.4#	\$76
<b>SS48GM01</b>		14"	15"	9.7#	\$88
<b>SS65LS101</b>	57"	11 1/4"	12"	10.6#	\$98
<b>SS65GS101</b>		14"	15"	12.3#	\$138
<b>SS80LS101</b>	72"	11 1/4"	12"	13.0#	\$131
<b>SS80GS101</b>		14"	15"	15.0#	\$166

### Label Holders

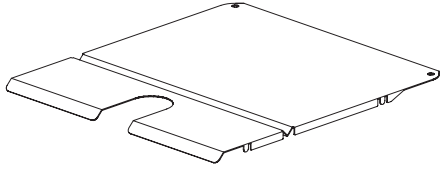
Transparent Label Holders have a self-adhesive, magnetic, or velcro backing and fit securely on beveled shelf front. A blank insert with four sides is included. Package of 20.



Model No.	Description	Width	Height	Wt.	List Price
<b>90145</b>	Self-adhesive	3"	3/8"	1 oz.	\$27
<b>911785</b>	Magnetic	3"	1/2"	3 oz.	\$43
<b>922VEL</b>	Velcro	3"	1/2"	3 oz.	\$53

## FORMS/STORAGE CABINETS COMPONENTS

### Shelves



#### Kwik-Shelf® Shelving System

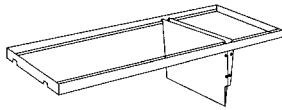
Shelves fit between Shelf Supports to create sorting or storage pockets for paper, forms, or other media. Each shelf locks firmly in place, yet removes quickly for easy reconfiguration. Shelves are 20-gauge.

#### 6-Shelf Package

Model No.	Width	Depth	Wt. per shelf	List Price
0412P06	4"	12"	.5#	\$78
0512P06	5"	12"	.75#	\$85
0515P06	5"	15"	1.0#	\$89
0612P06	6"	12"	.75#	\$88
0712P06	7"	12"	1.0#	\$90
0812P06	8"	12"	1.05#	\$106
0912P06	9"	12"	1.05#	\$116
0915P06	9"	15"	2.0#	\$135
1012P06	10"	12"	1.15#	\$123
1015P06	10"	15"	1.5#	\$142
1112P06	11"	12"	1.25#	\$130
1115P06	11"	15"	1.65#	\$143
1212P06	12"	12"	1.4#	\$132
1215P06	12"	15"	1.75#	\$148
1412P06	14"	12"	2.3#	\$179
1415P06	14"	15"	2.75#	\$196
1515P06	15"	15"	2.9#	\$217
1612P06	16"	12"	2.8#	\$208
1615P06	16"	15"	3.0#	\$234

### Rails

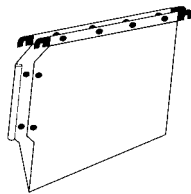
Accommodate Suspended Pockets; ideal for storage of forms or paper where space is at a premium and frequent handling for storage and/or retrieval is not required. Height, 1" (allow 11" for Rail with Suspended Pockets). Graphite only.



Model No.	Depth	Wt./ Cartons	Width	List Price
AR42	14 3/4"	5# /1	39 1/2" (for 42"-wide cabinets)	\$196
AR36	14 3/4"	4# /1	33 1/2" (for 36"-wide cabinets)	\$181

### Suspended Pockets

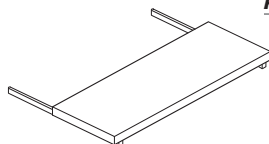
V-bottom Suspended Pockets hang from Rails (above). Set of 25 includes labels (4 1/2" x 1/4"). Snap-together feature simplifies sorting. Heavy-duty orange kraft.



Model No.	Height	Width	Depth	Wt./ Cartons	List Price
MSPV	10 13/16"	3/8"	13"	7# /1	\$172

### Roll-Out Shelves

Make an ideal temporary, extended worksurface where space is tight. When fully extended on slides (10" maximum), detent locks shelf in place. 1" thick low-pressure laminate top with high-density particleboard core; radiused 3mm PVC edge. Height 3".



Model No.	Depth	Wt./ Cartons	Width	List Price
ARS42	15"	31# /1	39 3/4" (for 42"-wide cabinets)	\$588
ARS36	15"	27# /1	33 3/4" (for 36"-wide cabinets)	\$559

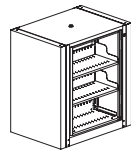
# ARC™ ROTARY FILE



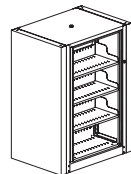
The ARC™ Rotary File is a double faced unit that rotates easily to provide access to both sides. Using our flexible cantilever style shelving, the ARC provides the most unobstructed filing inches per level and the easiest installation possible. The Complete Starter includes everything needed to house a filing system including the specified number of shelves and dividers.

- Allow 5.25" (letter depth) or 6.50" (legal depth) clearance from wall for rotating carriage.
- Empty units can be configured in endless variations for mixed media storage solutions.
- Shelves adjust on 1 1/2"H increments; 120 lb. weight capacity per shelf.
- To order a fully assembled unit, add the letter "B" after the letter "C" in the part number (e.g. ARCB244035).
- ARC top is unfinished. Work surfaces are available -- see page 258.
- Standard Lock on all cabinets.
- Complete Units are ideal for storing color-coded filing.
- Adder units attach to either right or left side of starter unit.

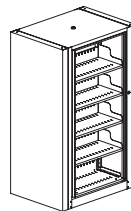
## PRECONFIGURED CABINET



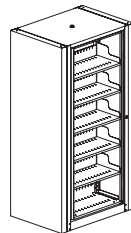
Model No.	W	D	H	Wt.	Knockdown List Price	Assembled List Price "B"
<b>3-Tier Complete Letter (144 LFI)</b>						
ARC24403S	37"	26"	40"	287#	\$2079	\$2411
ARC24403A	31 1/2"	26"	40"	255#	\$1754	\$2086
<b>Legal (180 LFI)</b>						
ARC30403S	45 3/8"	32 1/8"	40"	388#	\$2533	\$2866
ARC30403A	38 5/8"	32 1/8"	40"	348#	\$2210	\$2541



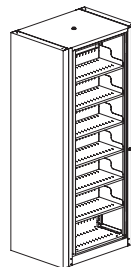
<b>4-Tier Complete Letter (192 LFI)</b>						
ARC24504S	37"	26"	50"	323#	\$2317	\$2651
ARC24504A	31 1/2"	26"	50"	258#	\$2066	\$2400
<b>Legal (240 LFI)</b>						
ARC30504S	45 3/8"	32 1/8"	50"	437#	\$2744	\$3078
ARC30504A	38 5/8"	32 1/8"	50"	389#	\$2379	\$2714



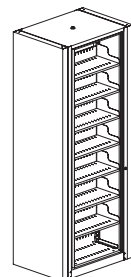
<b>5-Tier Complete Letter (240 LFI)</b>						
ARC24615S	37"	26"	61"	372#	\$2381	\$2715
ARC24615A	31 1/2"	26"	61"	323#	\$2114	\$2445
<b>Legal (300 LFI)</b>						
ARC30615S	45 3/8"	32 1/8"	61"	484#	\$2936	\$3270
ARC30615A	38 5/8"	32 1/8"	61"	430#	\$2666	\$3001



<b>6-Tier Complete Letter (288 LFI)</b>						
ARC24726S	37"	26"	72"	403#	\$3012	\$3434
ARC24726A	31 1/2"	26"	72"	347#	\$2762	\$3183
<b>Legal (360 LFI)</b>						
ARC30726S	45 3/8"	32 1/8"	72"	542#	\$3806	\$4233
ARC30726A	38 5/8"	32 1/8"	72"	478#	\$3509	\$3938



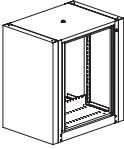
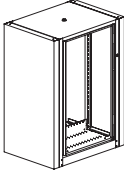
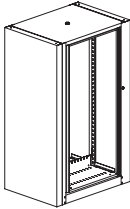
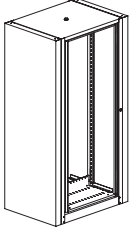
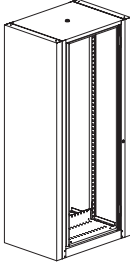
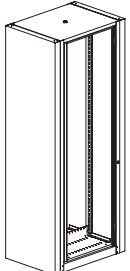
<b>7-Tier Complete Letter (336 LFI)</b>						
ARC24827S	37"	26"	82 1/2"	427#	\$3411	\$3838
ARC24827A	31 1/2"	26"	82 1/2"	365#	\$3134	\$3559
<b>Legal (420 LFI)</b>						
ARC30827S	45 3/8"	32 1/8"	82 1/2"	588#	\$4229	\$4651
ARC30827A	38 5/8"	32 1/8"	82 1/2"	516#	\$3892	\$4315



<b>8-Tier Complete Letter (384 LFI)</b>						
ARC24938S	37"	26"	93"	478#	\$3827	N/A
ARC24938A	31 1/2"	26"	93"	408#	\$3525	N/A
<b>Legal (480 LFI)</b>						
ARC30938S	45 3/8"	32 1/8"	93"	632#	\$4763	N/A
ARC30938A	38 5/8"	32 1/8"	93"	550#	\$4431	N/A

Complete units have slotted shelves with two (2) file dividers per 24" wide shelf; three (3) file dividers per 30" wide shelf.  
\*\*S: Starter, A: Adder

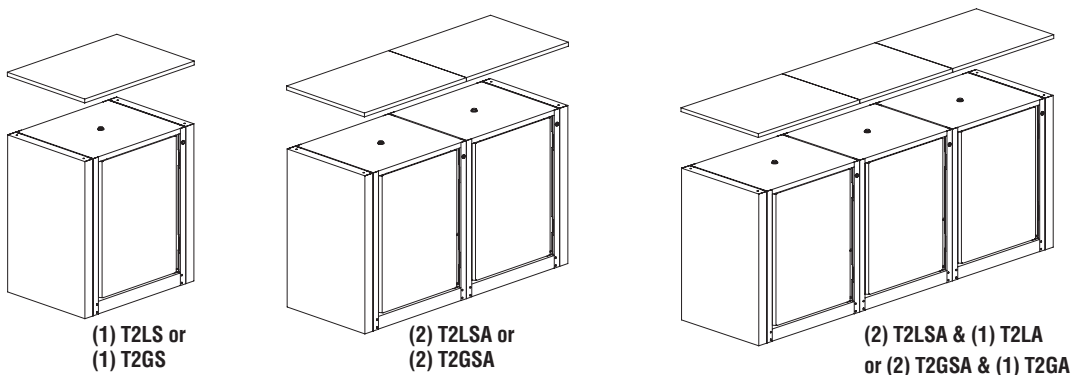
## EMPTY CABINET

	Model No.	W	D	H	Wt.	Knockdown List Price	Assembled List Price "B"
	<b>3-Tier Empty</b>						
	<b>Letter</b>						
	ARC24403ES	37"	26"	40"	238#	\$1817	\$2151
	ARC24403EA	31 1/2"	26"	40"	206#	\$1490	\$1825
	<b>Legal</b>						
	ARC30403ES	45 3/8"	32 1/8"	40"	326#	\$2231	\$2564
	ARC30403EA	38 5/8"	32 1/8"	40"	286#	\$1906	\$2240
	<b>4-Tier Empty</b>						
	<b>Letter</b>						
	ARC24504ES	37"	26"	50"	260#	\$1874	\$2208
	ARC24504EA	31 1/2"	26"	50"	220#	\$1606	\$1940
	<b>Legal</b>						
	ARC30504ES	45 3/8"	32 1/8"	50"	348#	\$2296	\$2629
	ARC30504EA	38 5/8"	32 1/8"	50"	300#	\$1933	\$2268
	<b>5-Tier Empty</b>						
	<b>Letter</b>						
	ARC24615ES	37"	26"	61"	282#	\$1933	\$2268
	ARC24615EA	31 1/2"	26"	61"	234#	\$1681	\$2015
	<b>Legal</b>						
	ARC30615ES	45 3/8"	32 1/8"	61"	368#	\$2344	\$2677
	ARC30615EA	38 5/8"	32 1/8"	61"	314#	\$2075	\$2409
	<b>6-Tier Empty</b>						
	<b>Letter</b>						
	ARC24726ES	37"	26"	72"	303#	\$2392	\$2813
	ARC24726EA	31 1/2"	26"	72"	247#	\$2144	\$2567
	<b>Legal</b>						
	ARC30726ES	45 3/8"	32 1/8"	72"	399#	\$2949	\$3374
	ARC30726EA	38 5/8"	32 1/8"	72"	335#	\$2653	\$3079
	<b>7-Tier Empty</b>						
	<b>Letter</b>						
	ARC24827ES	37"	26"	82 1/2"	323#	\$2680	\$3104
	ARC24827EA	31 1/2"	26"	82 1/2"	261#	\$2404	\$2827
	<b>Legal</b>						
	ARC30827ES	45 3/8"	32 1/8"	82 1/2"	423#	\$3301	\$3725
	ARC30827EA	38 5/8"	32 1/8"	82 1/2"	351#	\$2975	\$3399
	<b>8-Tier Empty</b>						
	<b>Letter</b>						
	ARC24938ES	37"	26"	93"	345#	\$2985	N/A
	ARC24938EA	31 1/2"	26"	93"	275#	\$2692	N/A
	<b>Legal</b>						
	ARC30938ES	45 3/8"	32 1/8"	93"	437#	\$3702	N/A
	ARC30938EA	38 5/8"	32 1/8"	355#	\$3305	N/A	

**WORK SURFACES FOR 3-, 4- AND 5-TIER ARC**

Model Number	Description	W	D	H	Wt.	Melamine List Price	Laminate List Price
							Lam Suffix
<b>T2LS</b>	Letter Starter Top Only	37 1/16"	26 3/16"	1"	25#	\$306	\$398
<b>T2LA</b>	Letter Adder Top	31 1/2"	26 3/16"	1"	22#	\$306	\$398
<b>T2LSA</b>	Letter Starter/Adder Top Combination	34 5/16"	26 3/16"	1"	25#	\$306	\$398
<b>T2GS</b>	Legal Starter Top Only	45 9/16"	32 3/16"	1"	30#	\$306	\$398
<b>T2GA</b>	Legal Adder Top	38 3/4"	32 3/16"	1"	28#	\$306	\$398
<b>T2GSA</b>	Legal Starter/Adder Top Combination	42 3/16"	32 3/16"	1"	30#	\$306	\$398

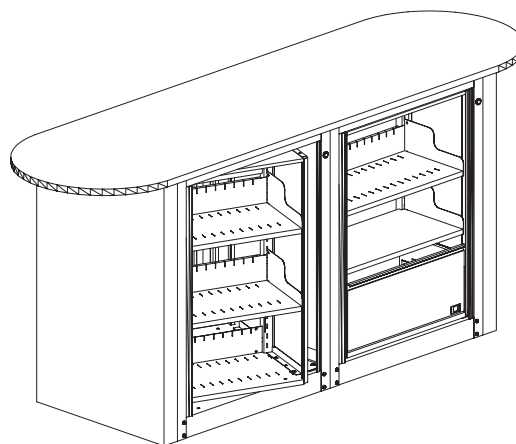
**Example:** When ordering a work surface for a letter unit, order one T2LS. When ordering two letter units, order two T2LSA. When ordering multiple units, order two T2LSA and one T2LA for every additional unit.

**ARC™ ROTARY WORK CENTER**

The ARC™ Work Center provides for storage with a convenient oval-shaped work surface for materials viewing or meeting area requirements. The Work Center is available in letter and legal depths with base units as shown below (AITB3L2 or AITB3G2) or you can design those units to your needs by ordering individual components. Contact Customer Service or Space Planning for assistance if required. Work Center bases are available in all Mayline standard paint colors and tops are available in standard HPL laminates.

**ARC Rotary Work Center** (as shown at right) consists of:

- 1 ARC in the Box 3-tier Starter; 1 ARC in the Box 3-tier Adder
- 8 Slotted Shelves with Adjustable File Dividers
- 1 Pass-Through Shelf Unit
- 2 Roll Out Drawers
- 1 Oval Top
- **Base and Top to be ordered separately.**
- Available in Letter or Legal depth.



Model Number	Description	W	D	H	Wt.	List Price
<b>TLWC</b>	Letter Oval Work Center Top	94 1/4"	27 1/4"	1"	38#	\$475
<b>TGWC</b>	Legal Oval Work Center Top	116 1/2"	33 1/4"	1"	48#	\$625
<b>TLWC01</b>	Letter Rectangular Work Center Top	94 3/4"	27"	1"	38#	\$475
<b>TGWC01</b>	Rectangular Work Center Top	116 1/2"	33"	1"	48#	\$625

**LETTER DEPTH ARC WORK CENTER**

<b>AITB3L2 (Letter)</b>	2 Base ARC units as shown (3-tier Letter)	\$5292
<b>TLWC</b>	1 Oval HPL Top – 94 1/4" x 1" x 27 1/4"	\$475

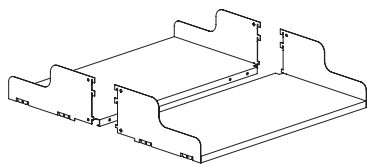
**List Price: \$5767**

**LEGAL DEPTH ARC WORK CENTER**

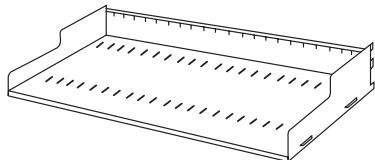
<b>AITB3G2 (Legal)</b>	2 Base ARC units as shown (3-tier Legal)	\$6603
<b>TGWC</b>	1 Oval HPL Top – 116 1/2" x 1" x 33 1/4"	\$625

**List Price: \$7228**

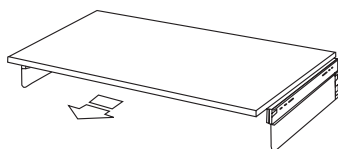
## COMPONENTS



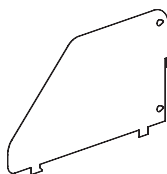
Model No.	W	H	D	Wt.	List Price
<b>Pass Through Shelf</b>					
ARCPS2412	24"	3/4"	12"	18#	\$146
ARCPS3015	30"	3/4"	15"	22#	\$172



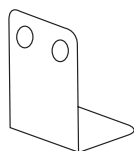
<b>Slotted Shelves (SLF)</b>					
ARC2412SLF	24"	6"	12"	8#	\$61
ARC3015SLF	30"	6"	15"	12#	\$76



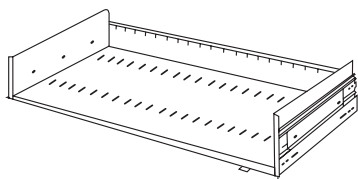
<b>Pull Out Reference Shelves (RS)</b>					
ARC2412RS	24"	—	12"	20#	\$253
ARC3015RS	30"	—	15"	23#	\$265



<b>Adjustable File Dividers (DV) – Standard Pack of 6:</b>					
F12DV6	—	6"	12"	6#	\$36
F15DV6	—	6"	15"	7 1/2#	\$41

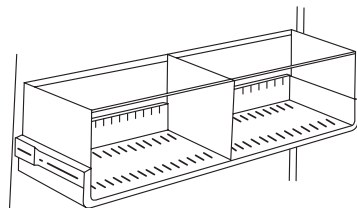


<b>Magnetic File Dividers (MDV)</b>					
AMDV	6 3/4"	7 1/2"	4 1/4"	1 1/2#	\$41

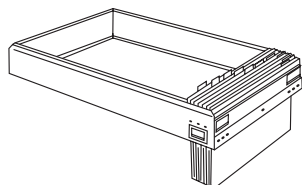


<b>Rollout Shelves (ROSLF)</b>					
ARC2412ROSLF	24"	6"	12"	22#	\$253
ARC3015ROSLF	30"	6"	15"	25#	\$288

**Note:** When ordering rollout accessories, **Upright Rollout Supports** must be ordered for each side of the ARC Rotary File with installed rollout accessories. (See page 260)



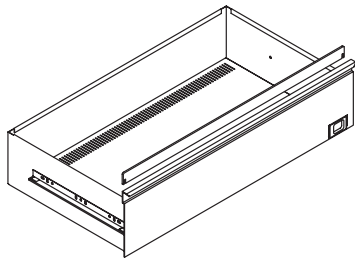
<b>Hanging File Frame Kit (HFK)</b>					
Used in conjunction with rollout shelves as shown.					
ARC2412HFK	24"	9"	12"	11#	\$119
ARC3015HFK	30"	9"	15"	13#	\$159



<b>Rollout Hanging Frames (ROHF)</b>					
ARC2412ROHF	24"	—	12"	12 1/2#	\$253
ARC3015ROHF	30"	—	15"	13 1/2#	\$271

**Note:** When ordering rollout accessories, **Upright Rollout Supports** must be ordered for each side of the ARC Rotary File with installed rollout accessories. (See page 260)

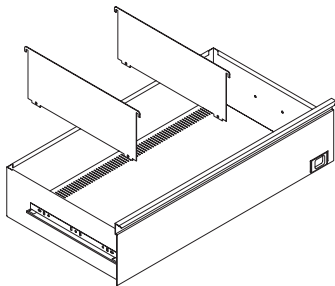
## COMPONENTS (CONTINUED)



**Note:** When ordering rollout accessories, **Upright Rollout Supports** must be ordered for each side of the ARC Rotary File with installed rollout accessories. (See below)

## Rollout Drawers (ROD)

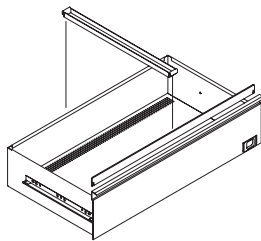
Model No.	H	D	Wt.	List Price
ARC2412ROD60	6"	12"	18#	\$253
ARC3015ROD60	6"	15"	20#	\$302
ARC2412ROD75	7 1/2"	12"	23#	\$264
ARC3015ROD75	7 1/2"	15"	25#	\$308
ARC2412ROD90	9"	12"	27#	\$275
ARC3015ROD90	9"	15"	30#	\$287
ARC2412ROD105	10 1/2"	12"	32#	\$302
ARC3015ROD105	10 1/2"	15"	36#	\$328
ARC2412ROD120	12"	12"	37#	\$335
ARC3015ROD120	12"	15"	41#	\$359



## Inserts &amp; Partitions for Rollout Drawers

Model No.	H	D	Wt.	List Price
ARC12P	6"	LTR	9#	\$15
ARC15P	6"	LGL	11#	\$20

**Note:** Partitions are to be used in the 6" tall Arc rollout drawers only. Sold individually.



## Converter Bar (CB)

Use with rollout drawers or hanging frame kits.

To file front-to-back, use the following converter bars:

- Sold individually, not in pairs.

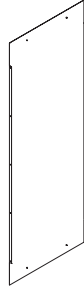
Model No.	D	Wt.	List Price
ARC12CB	12"	1#	\$55
ARC15CB	15"	1#	\$59

## Upright Rollout Supports (sold in pairs)

Required on each side of ARC Rotary File with Rollout Components.

Model No.	Description	List Price	Model No.	Description	List Price
URS3	3-Tier Supports	\$72	URS6	6-Tier Supports	\$72
URS4	4-Tier Supports	\$72	URS7	7-Tier Supports	\$72
URS5	5-Tier Supports	\$72	URS8	8-Tier Supports	\$72

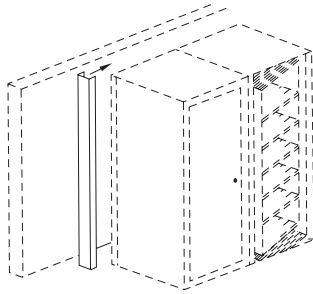




**Center Panels (CP)**

Used as security or privacy panel between front and back sections of cabinet.

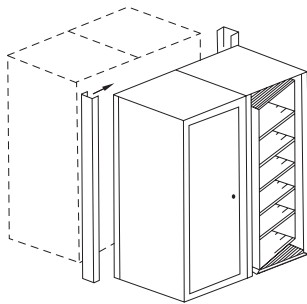
Model No.	W	H	Wt.	List Price
ARC2440CP	23"	3-tier	8#	\$126
ARC3040CP	29"	3-tier	10#	\$132
ARC2450CP	23"	4-tier	11#	\$132
ARC3050CP	29"	4-tier	14#	\$140
ARC2461CP	23"	5-tier	14#	\$140
ARC3061CP	29"	5-tier	17#	\$147
ARC2472CP	23"	6-tier	19#	\$146
ARC3072CP	29"	6-tier	24#	\$155
ARC2482CP	23"	7-tier	22#	\$162
ARC3082CP	29"	7-tier	28#	\$172
ARC2493CP	23"	8-tier	25#	\$186
ARC3093CP	29"	8-tier	32#	\$199



**Wall Closure Strips (WCS)**

Closes space between ARC unit and wall. Letter: 5 1/4", Legal: 6 1/2".

Model No.	D	H	Wt.	List Price
ARC2440WCS	12"	3-tier	8#	\$83
ARC3040WCS	15"	3-tier	10#	\$83
ARC2450WCS	12"	4-tier	10#	\$83
ARC3050WCS	15"	4-tier	12#	\$83
ARC2461WCS	12"	5-tier	12#	\$83
ARC3061WCS	15"	5-tier	14#	\$83
ARC2472WCS	12"	6-tier	18#	\$83
ARC3072WCS	15"	6-tier	20#	\$83
ARC2482WCS	12"	7-tier	23#	\$98
ARC3082WCS	15"	7-tier	28#	\$98
ARC2493WCS	12"	8-tier	27#	\$114
ARC3093WCS	15"	8-tier	30#	\$114



**Back-to-Back Closure Strips (BTB)**

Used to enclose the space between two ARC units when placed back-to-back. Letter: 10 1/2", Legal: 13".

Model No.	D	H	Wt.	List Price
ARC2440BTB	LTR	3-tier	14#	\$98
ARC3040BTB	LGL	3-tier	16#	\$98
ARC2450BTB	LTR	4-tier	16#	\$98
ARC3050BTB	LGL	4-tier	18#	\$98
ARC2461BTB	LTR	5-tier	18#	\$98
ARC3061BTB	LGL	5-tier	20#	\$98
ARC2472BTB	LTR	6-tier	32#	\$98
ARC3072BTB	LGL	6-tier	32#	\$98
ARC2482BTB	LTR	7-tier	40#	\$114
ARC3082BTB	LGL	7-tier	40#	\$114
ARC2493BTB	LTR	8-tier	48#	\$130
ARC3093BTB	LGL	8-tier	48#	\$130



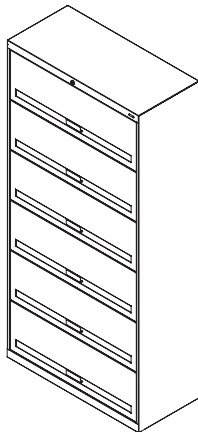
**End Panel Assemblies (EP)**

Model No.	D	H	Wt.	List Price
ARC2440EP	LTR	3-tier	17#	\$367
ARC3040EP	LGL	3-tier	21#	\$379
ARC2450EP	LTR	4-tier	21#	\$379
ARC3050EP	LGL	4-tier	25#	\$394
ARC2461EP	LTR	5-tier	25#	\$394
ARC3061EP	LGL	5-tier	28#	\$407
ARC2472EP	LTR	6-tier	29#	\$407
ARC3072EP	LGL	6-tier	33#	\$458
ARC2482EP	LTR	7-tier	32#	\$458
ARC3082EP	LGL	7-tier	37#	\$473
ARC2493EP	LTR	8-tier	36#	\$510
ARC3093EP	LGL	8-tier	42#	\$543

# FLIP-N-FILE™ CABINET (NOTE: Not on GSA)

GIZA/CAP

- The Flip-n-File™ Cabinet comes fully assembled and ready to use. Choose from a cabinet without doors ("N") or a cabinet with locking doors ("D").
- Shelves are fixed with a 10"H clear spacing between shelves.
- 120 lb. load capacity per shelf.
- Inside width dimension of each shelf is 34".
- **Accommodates letter or legal filing.**
- All units come with 4 file dividers per shelf.
- Additional dividers are available.
- Lock is located at the top of the cabinet.
- Lead-time is 15 working days.
- Standard Finishes: Pebble Gray, Sand Beige and Black Only.



Model No.	Description	Size			Wt.	List Price	List Price Add "K" Suffix Keyed-Alike
		W	H	D			
FFN5	5 Tier without Doors	36"	63 1/2"	17"	110#	\$1370	N/A
FFD5	5 Tier with Doors	36"	63 1/2"	17"	160#	\$1901	\$1953
FFN6	6 Tier without Doors	36"	75 1/4"	17"	130#	\$1526	N/A
FFD6	6 Tier with Doors	36"	75 1/4"	17"	186#	\$2106	\$2158
FFN7	7 Tier without Doors	36"	87"	17"	142#	\$1714	N/A
FFD7	7 Tier with Doors	36"	87"	17"	212#	\$2429	\$2481
FFD	Additional Dividers					\$3	-
FFDMK	Master Key				1#	\$16	-

**Note:** For keyed-alike cabinets, add a "K" to the end of the model number. See final column for keyed-alike pricing.

## KWIK TRACK

To increase filing density, Flip-n-File™ shelving can also mount to Kwik-Track systems creating either a bi-file or tri-file sliding shelving system. In either configuration, the rear row of cabinets are stationary with cabinets in front mounted on a sliding carriage on a track mounted to the floor.

- Heavy-duty aluminum track construction supports 3,500 lbs. per carriage.
- Anti-tip built into base for stability and easy installation.
- Systems are complete with cabinets and track. Four dividers per shelf are included.
- Track system has a brushed aluminum finish. Floor mounting hardware included.
- Track adds 2 3/4" to overall height of system.
- All configurations below have doors.

	Model No.	Description	Dimensions	Wt.	List Price	List Price Add "K" Suffix Keyed-Alike
	FF521	2/1 5-Tier Cabinet	78"W x 36"D	505#	\$7022	\$7179
	FF532	3/2 5-Tier Cabinet	116"W x 36"D	840#	\$11877	\$12139
	FF543	4/3 5-Tier Cabinet	156"W x 36"D	1165#	\$16613	\$16979
<b>2/1</b> 2 Rows; 2 Fixed, 1 Movable	FF5211	2/1/1 5-Tier Cabinet	78"W x 56"D	660#	\$10242	\$10451
	FF5322	3/2/2 5-Tier Cabinet	116"W x 56"D	1150#	\$18049	\$18415
	FF5433	4/3/3 5-Tier Cabinet	156"W x 56"D	1630#	\$25621	\$26144
	FF621	2/1 6-Tier Cabinet	78"W x 36"D	505#	\$7637	\$7794
<b>2/1/1</b> 3 Rows; 2 Fixed, 2 Movable	FF632	3/2 6-Tier Cabinet	116"W x 36"D	840#	\$12899	\$13161
	FF643	4/3 6-Tier Cabinet	156"W x 36"D	1165#	\$18046	\$18412
	FF6211	2/1/1 6-Tier Cabinet	78"W x 56"D	660#	\$11061	\$11270
<b>3/2</b> 2 Rows; 3 Fixed, 2 Movable	FF6322	3/2/2 6-Tier Cabinet	116"W x 56"D	1150#	\$19483	\$19849
	FF6433	4/3/3 6-Tier Cabinet	156"W x 56"D	1630#	\$27667	\$28190
	FF721	2/1 7-Tier Cabinet	78"W x 36"D	535#	\$8603	\$8760
	FF732	3/2 7-Tier Cabinet	116"W x 36"D	905#	\$14513	\$14774
<b>3/2/2</b> 3 Rows; 3 Fixed, 4 Movable	FF743	4/3 7-Tier Cabinet	156"W x 36"D	1245#	\$20303	\$20669
	FF7211	2/1/1 7-Tier Cabinet	78"W x 56"D	745#	\$12352	\$12561
	FF7322	3/2/2 7-Tier Cabinet	116"W x 56"D	1295#	\$21739	\$22105
	FF7433	4/3/3 7-Tier Cabinet	156"W x 56"D	1825#	\$30893	\$31416

**Note:** For keyed-alike cabinets, add a "K" to the end of the model number. See final column for keyed-alike pricing.

<b>4/3</b> 2 Rows; 4 Fixed, 3 Movable	
<b>4/3/3</b> 3 Rows; 4 Fixed, 6 Movable	

# DECORATIVE ENHANCEMENTS

Our designer friendly solution that enhances Kwik-File's filing and storage products. Aesthetically pleasing magnetic fabric, veneer or vinyl options are available in a wide variety of colors and patterns.

**Note:** Kwik-File strongly suggests that Decorative Enhancements should not be utilized with film, diagnostic or electronic media due to the magnetic backing.

- Magnetic fabric or vinyl material installs in minutes.
- Guilford of Maine fabrics, 4 wood grain vinyl patterns, 2 patterned vinyls, and 3 veneer options available.
- Accessories can be used on most of our filing and storage products. ARC Doors, Mobile End Panels, 4-Post Uprights and Back Panels etc.
- The magnetic Dry Erase boards include a sandstone finish, eraser and marker.
- Coat Hook will support up to 11 lbs.
- Call Customer Service for veneer pricing.

## ARC ROTARY CABINETS - DOOR

Model No.	Description	Width	Length	List Price Each
<b>DAD3L</b>	ARC 3-Tier Letter Dr.	25"	34 3/4"	\$176
<b>DAD3G</b>	ARC 3-Tier Legal Dr.	31"	34 3/4"	\$239
<b>DAD4L</b>	ARC 4-Tier Letter Dr.	25"	45 1/4"	\$208
<b>DAD4G</b>	ARC 4-Tier Legal Dr.	31"	45 1/4"	\$279
<b>DAD5L</b>	ARC 5-Tier Letter Dr.	25"	55 3/4"	\$239
<b>DAD5G</b>	ARC 5-Tier Legal Dr.	31"	55 3/4"	\$310
<b>DAD6L</b>	ARC 6-Tier Letter Dr.	24"	66 1/4"	\$273
<b>DAD6G</b>	ARC 6-Tier Legal Dr.	30"	66 1/4"	\$357
<b>DAD7L</b>	ARC 7-Tier Letter Dr.	24"	76 3/4"	\$310
<b>DAD7G</b>	ARC 7-Tier Legal Dr.	30"	76 3/4"	\$357
<b>DAD8L</b>	ARC 8-Tier Letter Dr.	24"	87 1/4"	\$336
<b>DAD8G</b>	ARC 8-Tier Legal Dr.	30"	87 1/4"	\$446

## 4-POST SHELVING - UPRIGHTS

Model No.	Description	Width	Length	List Price Each
<b>DFU1265</b>	4-Post Uprights Single Face Letter	12"	65"	\$176
<b>DFU1565</b>	4-Post Uprights Single Face Legal	15"	65"	\$234
<b>DFU2465</b>	4-Post Uprights Double Face Letter	24"	65"	\$273
<b>DFU3065</b>	4-Post Uprights Double Face Legal	30"	65"	\$357
<b>DFU1276</b>	4-Post Uprights Single Face Letter	12"	76"	\$208
<b>DFU1576</b>	4-Post Uprights Single Face Legal	15"	76"	\$247
<b>DFU2476</b>	4-Post Uprights Double Face Letter	24"	76"	\$310
<b>DFU3076</b>	4-Post Uprights Double Face Legal	30"	76"	\$408
<b>DFU1286</b>	4-Post Uprights Single Face Letter	12"	86"	\$227
<b>DFU1586</b>	4-Post Uprights Single Face Legal	15"	86"	\$273
<b>DFU2486</b>	4-Post Uprights Double Face Letter	24"	86"	\$310
<b>DFU3086</b>	4-Post Uprights Double Face Legal	30"	86"	\$446
<b>DFU1297</b>	4-Post Uprights Single Face Letter	12"	97"	\$247
<b>DFU1597</b>	4-Post Uprights Single Face Legal	15"	97"	\$291
<b>DFU2497</b>	4-Post Uprights Double Face Letter	24"	97"	\$363
<b>DFU3097</b>	4-Post Uprights Double Face Legal	30"	97"	\$492

**4-POST SHELVING - BACK PANELS**

Model No.	Description	Width	Length	List Price Each
DFB3665	4-Post Back Panel	36"	65"	\$389
DFB3676	4-Post Back Panel	36"	76"	\$446
DFB3686	4-Post Back Panel	36"	86"	\$492
DFB3697	4-Post Back Panel	36"	97"	\$531
DFB4265	4-Post Back Panel	42"	65"	\$434
DFB4276	4-Post Back Panel	42"	76"	\$492
DFB4286	4-Post Back Panel	42"	86"	\$544
DFB4297	4-Post Back Panel	42"	97"	\$589
DFB4865	4-Post Back Panel	48"	65"	\$460
DFB4876	4-Post Back Panel	48"	76"	\$537
DFB4886	4-Post Back Panel	48"	86"	\$583
DFB4897	4-Post Back Panel	48"	97"	\$627

**ACCESSORIES - TACK BOARD, DRY ERASE, AND COAT HOOK**

Model No.	Description	Width	Length	List Price Each
<b>Tack Board</b>				
D100	Tack Board	12"	40"	\$168
D200	Tack Board	24"	40"	\$299
<b>Dry Erase</b>				
D300	Dry Erase Sand Stone Finish	12"	40"	\$156
D400	Dry Erase Sand Stone Finish	24"	40"	\$234
<b>Coat Hook</b>				
D500	Coat Hook	4"	8"	\$75

**Note:** Coat hook will support up to 11 lbs.

**MOBILE AISLE - END PANELS FIX**

Model No.	Description	Width	Length	List Price Each
DME1265F	Mobile End Panels Single Face Letter	12"	65"	\$176
DME1565F	Mobile End Panels Single Face Legal	15"	65"	\$234
DME1865F	Mobile End Panels Single Face X-Ray	18"	65"	\$250
DME2465F	Mobile End Panels Double Face Letter	24"	65"	\$273
DME3065F	Mobile End Panels Double Face Legal	30"	65"	\$357
DME3665F	Mobile End Panels Double Face X-Ray	36"	65"	\$385
DME1276F	Mobile End Panels Single Face Letter	12"	76"	\$208
DME1576F	Mobile End Panels Single Face Legal	15"	76"	\$247
DME1876F	Mobile End Panels Single Face X-Ray	18"	76"	\$282
DME2476F	Mobile End Panels Double Face Letter	24"	76"	\$310
DME3076F	Mobile End Panels Double Face Legal	30"	76"	\$408
DME3676F	Mobile End Panels Double Face X-Ray	36"	76"	\$442
DME1286F	Mobile End Panels Single Face Letter	12"	86"	\$227
DME1586F	Mobile End Panels Single Face Legal	15"	86"	\$273
DME1886F	Mobile End Panels Single Face X-Ray	18"	86"	\$308
DME2486F	Mobile End Panels Double Face Letter	24"	86"	\$336
DME3086F	Mobile End Panels Double Face Legal	30"	86"	\$446
DME3686F	Mobile End Panels Double Face X-Ray	36"	86"	\$487
DME1297F	Mobile End Panels Single Face Letter	12"	97"	\$247
DME1597F	Mobile End Panels Single Face Legal	15"	97"	\$291
DME1897F	Mobile End Panels Single Face X-Ray	18"	97"	\$333
DME2497F	Mobile End Panels Double Face Letter	24"	97"	\$363
DME3097F	Mobile End Panels Double Face Legal	30"	97"	\$492
DME3697F	Mobile End Panels Double Face X-Ray	36"	97"	\$526

## MOBILE AISLE - END PANELS MOVABLE

Model No.	Description	Width	Length	List Price Each
<b>DME1865M</b>	Mobile End Panels Single Face X-Ray	18"	65"	\$253
<b>DME2465M</b>	Mobile End Panels Double Face Letter	24"	65"	\$273
<b>DME3065M</b>	Mobile End Panels Double Face Legal	30"	65"	\$357
<b>DME3665M</b>	Mobile End Panels Double Face X-Ray	36"	65"	\$389
<b>DME1876M</b>	Mobile End Panels Single Face X-Ray	18"	76"	\$284
<b>DME2476M</b>	Mobile End Panels Double Face Letter	24"	76"	\$310
<b>DME3076M</b>	Mobile End Panels Double Face Legal	30"	76"	\$408
<b>DME3676M</b>	Mobile End Panels Double Face X-Ray	36"	76"	\$446
<b>DME1886M</b>	Mobile End Panels Single Face X-Ray	18"	86"	\$310
<b>DME2486M</b>	Mobile End Panels Double Face Letter	24"	86"	\$336
<b>DME3086M</b>	Mobile End Panels Double Face Legal	30"	86"	\$446
<b>DME3686M</b>	Mobile End Panels Double Face X-Ray	36"	86"	\$487
<b>DME1897M</b>	Mobile End Panels Single Face X-Ray	18"	97"	\$336
<b>DME2497M</b>	Mobile End Panels Double Face Letter	24"	97"	\$363
<b>DME3097M</b>	Mobile End Panels Double Face Legal	30"	97"	\$492
<b>DME3697M</b>	Mobile End Panels Double Face X-Ray	36"	97"	\$526

## INSERTABLES®

GSA

### INSERTABLES® SYSTEMS

The unique Insertables® shelving system fits any standard overhead cabinet, or can be used to organize storage cabinet shelves, or even on desktops as a mini-sorter. Store forms, literature, file folders, binders, and more!

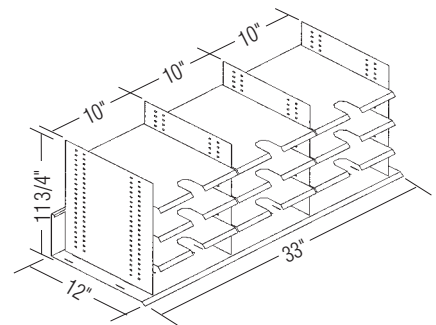
- Patented Kwik-Shelf™ system provides locking shelves that adjust on 1/2"H increments.
- Centered thumb-cuts and beveled front shelf flanges allow quick retrieval of materials.
- All-steel construction will last a lifetime. Rubber feet add stability and surface protection.

**Standard Finishes:** Pebble Gray only

### Manager's System

Provides 12 pockets, each 10"W x 12"D x 3"H (height adjustable in 1/2" increments).

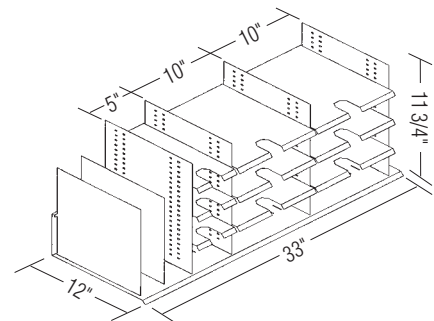
Model No.	Wt./ Cartons	List Price
<b>KB3312D</b>	33# / 1	\$384



### Administrator's System

Provides eight 10"W x 12"D x 3"H and four 5"W x 12"D x 3"H pockets (height adjustable in 1/2" increments). Two dividers.

Model No.	Wt./ Cartons	List Price
<b>KB3312E</b>	33# / 1	\$429



# FILING CARTS (NOTE: Not on GSA)

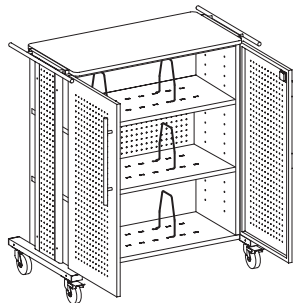


Three attractive and lockable carts that can be used to store or transport important documents with scratch resistant, laminate tops provide a useful work surface. Ships within 72 hours.

- Scratch resistant, laminate tops provide a useful work surface.
- Heavy-duty casters (two locking).
- **Finish:** Sand paint with Gray Matrix laminate worksurface **only**.
- All models in all finishes are available on both the Kwik-Ship and Fast Freight delivery programs with no quantity limitations.
- Lockable.
- Ready to assemble.

## LETTER/LEGAL CART

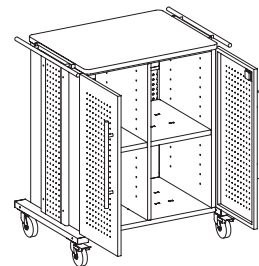
- Can store either letter or legal files.
- Three shelves, two of which are adjustable on 1 1/4"H increments.
- Two dividers per shelf.



Model No.	Description	Width	Depth	Height	List Price
FC101	File Cart	42 3/4"	26 1/2"	46 3/4"	\$1108

## X-RAY CART

- Supports up to 350 lbs.
- One divider per section.
- Two shelves separated by a partition creating four sections.
- Shelves adjust on 1 1/4"H increments.



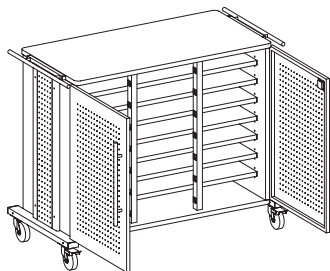
Model No.	Description	Width	Depth	Height	List Price
XC101*	File Cart	35"	26 1/2"	40"	\$1108

\*Note: Limited quantities available.

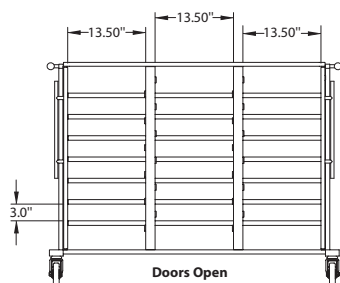
## LAPTOP CART

- Stores up to 24 laptops.
- Perforated steel doors and back panel provide proper ventilation.
- Two UL-listed multi-socket power strips, 24 outlets (timer not included).
- Shelves adjust on 1 1/4"H increments.
- Top is Gray Maytrix and paint is Sand.

**Note:** Electrical limitations require that each power strip be plugged into separate circuits, not just separate outlets.



Model No.	Description	Width	Depth	Height	Weight	List Price
LC101	Laptop Cart	50 1/2"	26 1/2"	40"	207#	\$1387

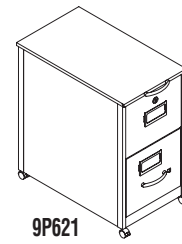
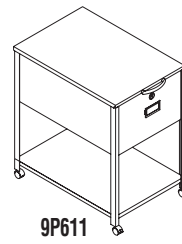
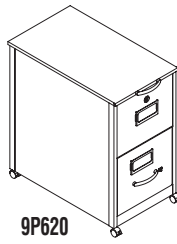
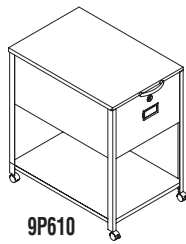
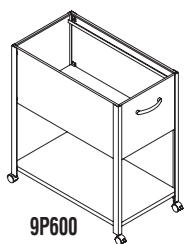


# MOBILIZERS™ (NOTE: Not on GSA)



- Mobile storage for letter and legal size hanging files.
- Heavy-gauge steel construction with 4 non-locking casters.
- Models available with or without sliding top and full-extension drawer.
- Units with lower shelf accommodate full-height binders and all units fit under most desks.
- Units with sliding top and/or drawer feature lock.
- Drawer pull included.
- All models are UPS-able. Ready-to-assemble.
- All models in all finishes are available on both the Kwik-Ship and Fast Freight delivery programs with no quantity limitations.

Model No.	Description	Dimensions	Wt.	List Price
<b>Letter Size</b>				
9P600	Open File	27"H x 14"W x 26"D	28#	\$177
9P610	File with lid	27"H x 14"W x 26"D	34#	\$225
9P620	File with lid and drawer	27"H x 14 3/4"W x 26"D	57#	\$385
<b>Legal Size</b>				
9P611	File with lid	27"H x 17"W x 26"D	38#	\$254
9P621	File with lid and drawer	27"H x 17 3/4"W x 26"D	64#	\$432



## PEDESTALS



- Replacement lock core kits available for keying alike. See page 47 for details.

### Steel Drawer Pedestals

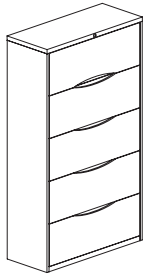
- 17 1/2" deep pedestals do not accept legal hanging files. 24" deep pedestals accept either letter or legal hanging files.
- 23-gauge welded steel cabinet with standard lock.
- 23-gauge steel drawer fronts and bodies with full-extension ball bearing extensions on all drawers.
- Each drawer features a full-width recessed pull.
- All pedestals come standard with four leveling feet.
- Mobile kits sold separately include heavy-gauge steel lid, four casters and counter-weight. (Adds 1/2" to height)
- Available in all standard paint finishes. Add "C" prefix to Model No.

Model No.	Description	Dimensions	Wt.	List Price/Stocked	C Prefix
					List Price/Painted
P172H	File/File Pedestal	15"W x 17 1/2"D x 27 3/4"H	40#	\$335	\$413
P173H	Box-Box-File Pedestal	15"W x 17 1/2"D x 27 3/4"H	45#	\$335	\$413
P17MH	Mobile Kit for 17 1/2"D pedestals		25#	\$69	\$93
P242H	File/File Pedestal	15"W x 23"D x 27 3/4"H	50#	\$350	\$425
P243H	Box-Box-File Pedestal	15"W x 23"D x 27 3/4"H	55#	\$350	\$425
P24MH	Mobile Kit for 24"D pedestals		27#	\$69	\$93

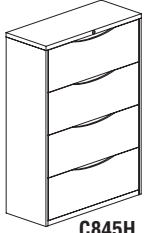




## LATERAL FILES



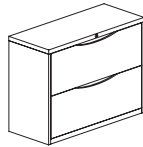
C847H



C845H



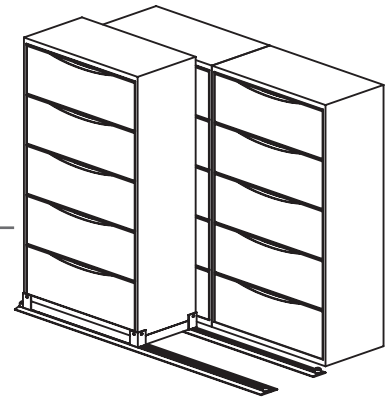
C843H



C841H

- Heavy duty, full drawer extension on steel ball bearing telescoping slides.
- All units feature anti-tipping drawer interlock system that allows only one drawer open at a time.
- Stylish, recessed drawer pull.
- Side to side rails support letter, legal and/or A4 filing.
- Top drawer of 5-Drawer Lateral is a roll-out shelf.
- All files ship keyed-alike.
- Single key removable lock.
- Features adjustable leveling glides.
- Counter weight included to meet ANSI/BIFMA stability requirements.
- **Available in Black, Medium Tone, Desert Sage, Mist and Putty. Additional Mayline Corporate Colors available for project quantities of 20 or more and an 8-10 week lead time for no additional charge.**

Model No.	Description	Dimensions	Wt.	List Price
<b>C847H</b>	42"W, 5-Drawer Lateral File	42"W x 18 3/8"D x 64 1/8"H	253#	\$1727
<b>C846H</b>	36"W, 5-Drawer Lateral File	36"W x 18 3/8"D x 64 1/8"H	231#	\$1613
<b>C845H</b>	42"W, 4-Drawer Lateral File	42"W x 18 3/8"D x 52"H	206#	\$1447
<b>C844H</b>	36"W, 4-Drawer Lateral File	36"W x 18 3/8"D x 52"H	188#	\$1281
<b>C843H</b>	42"W, 3-Drawer Lateral File	42"W x 18 3/8"D x 39 3/4"H	163#	\$1108
<b>C842H</b>	36"W, 3-Drawer Lateral File	36"W x 18 3/8"D x 39 3/4"H	147#	\$1029
<b>C841H</b>	36"W, 2-Drawer Lateral File	36"W x 18 3/8"D x 27 1/2"H	107#	\$852

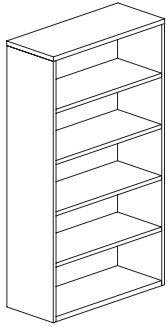


### LATERAL FILES ON KWIK-TRACK

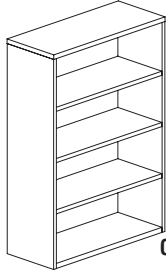
- To increase filing density, lateral files can also mount to Kwik-Track. In either configuration, the rear row of cabinets are stationary with cabinets in front mounted on a sliding carriage on a track mounted to the floor.
- Track adds 2 3/4" to height of overall system.

Model No.	Description	Dimensions	Wt.	List Price
<b>LAT36521</b>	2/1 Lateral 36"L/5 Drawer System	78"W x 39 1/2"D	739#	\$6229
<b>LAT365211</b>	2/1/1 Lateral 36"L/5 Drawer System	78"W x 60 3/4"D	970#	\$9167
<b>LAT36532</b>	3/2 Lateral 36"L/5 Drawer System	116"W x 39 1/2"D	1201#	\$10168
<b>LAT365322</b>	3/2/2 Lateral 36"L/5 Drawer System	116"W x 60 3/4"D	1722#	\$16160
<b>LAT36543</b>	4/3 Lateral 36"L/5 Drawer System	156"W x 39 1/2"D	1709#	\$14751
<b>LAT365433</b>	4/3/3 Lateral 36"L/5 Drawer System	156"W x 60 3/4"D	2379#	\$22920
<b>LAT42521</b>	2/1 Lateral 42"L/5 Drawer System	90"W x 39 1/2"D	805#	\$6704
<b>LAT425211</b>	2/1/1 Lateral 42"L/5 Drawer System	90"W x 60 3/4"D	1058#	\$9883
<b>LAT42532</b>	3/2 Lateral 42"L/5 Drawer System	137"W x 39 1/2"D	1334#	\$11254
<b>LAT425322</b>	3/2/2 Lateral 42"L/5 Drawer System	137"W x 60 3/4"D	1840#	\$17218
<b>LAT42543</b>	4/3 Lateral 42"L/5 Drawer System	180"W x 39 1/2"D	1817#	\$15856
<b>LAT425433</b>	4/3/3 Lateral 42"L/5 Drawer System	180"W x 60 3/4"D	2599#	\$24662

## BOOKCASES



CBC5



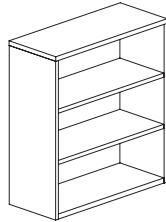
CBC4

- All steel construction.
- Shelves adjust in 1" increments.
- 13"D shelves easily accommodate 3-ring binders.
- Units assemble easily.
- Shelf count includes bottom of bookcase.

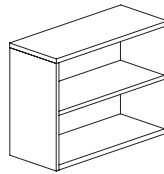
- Heights align with CSII desking and hutches.
- Backed by Mayline's Limited Lifetime Warranty.
- Add a "P" after model number for finishes other than standard listed below.
- Contact Customer Service for additional color availability and upcharges.

- Available in **Black, Medium Tone, Desert Sage, Mist and Putty**. Additional Mayline Corporate Colors available for a 20% upcharge on a two-week lead time. For project quantities of 20 or more and an 8-10 week lead time, there is NO upcharge.

Model No.	Description	Dimensions	Wt.	List Price
<b>CBC5</b>	5-Shelf Bookcase	36"W x 15 1/8"D x 65"H	106#	\$627
<b>CBC4</b>	4-Shelf Bookcase	36"W x 15 1/8"D x 52 1/2"H	86#	\$515
<b>CBC3</b>	3-Shelf Bookcase	36"W x 15 1/8"D x 40"H	64#	\$401
<b>CBC2</b>	2-Shelf Bookcase	36"W x 15 1/8"D x 27 1/2"H	50#	\$326



CBC3



CBC2

# PLAN FILES



## C-FILES® (NOTE: Not on GSA)

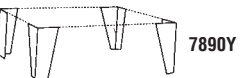
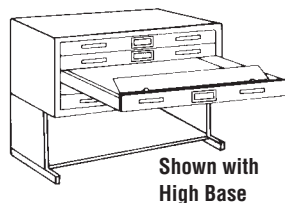
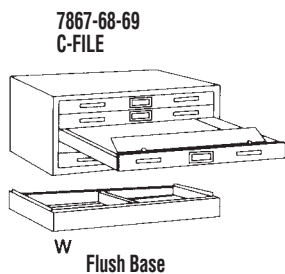
Self-contained steel C-Files® have integral cap and can be bolted together for stacking. Drawers have front metal plan depressor and rear hood to keep documents flat and orderly. (Dust covers optional.) High base designed to support one file. Drawer pulls are chrome. Files stack five high on flush base, one high on high base.

**File physical paper capacity:** 1000 sheets vellum per file.  
100 sheets vellum per drawer in a 10 drawer file.  
200 sheets vellum per drawer in a 5 drawer file.

**File weight capacity:** 20 lbs. (9.1 kg) per drawer in a 10 drawer file evenly distributed.  
40 lbs. (18.2 kg) per drawer in a 5 drawer file evenly distributed.

### Model No.

### Mayline Self-Contained Steel C-Files®



For 24" x 36" Sheets		Overall Unit Sizes			Inside Drawer Sizes			Wt.	List Price
		W	H	D	W	H	D		
<b>7867C</b>	Five-Drawer File	40 3/4"	15 3/8"	28 3/8"	37"	2"	25 3/4"	170#	\$1831
<b>7867D</b>	Five-Drawer w/Dust Cover	40 3/4"	15 3/8"	28 3/8"	37"	2"	25 3/4"	177#	\$2033
<b>7977C</b>	Ten-Drawer File	40 3/4"	15 3/8"	28 3/8"	37"	5/8"	25 3/4"	210#	\$3863
<b>7977D</b>	Ten-Drawer w/Dust Covers	40 3/4"	15 3/8"	28 3/8"	37"	5/8"	25 3/4"	216#	\$4363
<b>7877</b>	20" High Base with Bookshelf	40 3/4"	20"	28 3/8"	33 3/4"	-	14 1/2"	52#	\$736
<b>7867W</b>	Flush Base	40 3/4"	4"	28 3/8"	-	-	-	14#	\$319
<b>7890X</b>	Sanitary Base Legs	41"	6"	28 5/8"	-	-	-	15#	\$302
<b>7890Y</b>	Sanitary Base Legs	41"	19 3/8"	28 5/8"	-	-	-	45#	\$648

For 30" x 42" Sheets		Overall Unit Sizes			Inside Drawer Sizes			Wt.	List Price
		W	H	D	W	H	D		
<b>7868C</b>	Five-Drawer File	46 3/4"	15 3/8"	35 3/8"	43"	2"	32 3/4"	220#	\$2127
<b>7868D</b>	Five-Drawer File w/Dust Covers	46 3/4"	15 3/8"	35 3/8"	43"	2"	32 3/4"	229#	\$2330
<b>7978C</b>	Ten-Drawer File	46 3/4"	15 3/8"	35 3/8"	43"	5/8"	32 3/4"	305#	\$4026
<b>7978D</b>	Ten-Drawer w/Dust Covers	46 3/4"	15 3/8"	35 3/8"	43"	5/8"	32 3/4"	310#	\$4559
<b>7878</b>	20" High Base with Bookshelf	46 3/4"	20"	35 3/8"	44 3/4"	-	14 1/2"	63#	\$833
<b>7868W</b>	Flush Base	46 3/4"	4"	35 3/8"	-	-	-	16#	\$354
<b>7890X</b>	Sanitary Base Legs	47"	6"	35 5/8"	-	-	-	15#	\$302
<b>7890Y</b>	Sanitary Base Legs	47"	19 3/8"	35 5/8"	-	-	-	45#	\$648

For 36" x 48" Sheets		Overall Unit Sizes			Inside Drawer Sizes			Wt.	List Price
		W	H	D	W	H	D		
<b>7869C</b>	Five-Drawer File	53 3/4"	15 3/8"	41 3/8"	50"	2"	38 3/4"	275#	\$2537
<b>7869D</b>	Five-Drawer File w/Dust Covers	53 3/4"	15 3/8"	41 3/8"	50"	2"	38 3/4"	279#	\$2742
<b>7979C</b>	Ten-Drawer File	53 3/4"	15 3/8"	41 3/8"	50"	5/8"	38 3/4"	365#	\$4790
<b>7979D</b>	Ten-Drawer w/Dust Covers	53 3/4"	15 3/8"	41 3/8"	50"	5/8"	38 3/4"	350#	\$5445
<b>7879</b>	20" High Base with Bookshelf	53 3/4"	20"	41 3/8"	51 3/4"	-	14 1/2"	70#	\$918
<b>7869W</b>	Flush Base	53 3/4"	4"	41 3/8"	-	-	-	18#	\$427
<b>7890X</b>	Sanitary Base Legs	54"	6"	41 5/8"	-	-	-	15#	\$302
<b>7890Y</b>	Sanitary Base Legs	54"	19 3/8"	41 5/8"	-	-	-	45#	\$648

**Note:** Refer to pages 319-325 for a complete selection of Large Format Filing solutions.

# ***SPECIALTY SOLUTIONS***



**Mailroom Furniture**  
**IT Furniture**  
**Bistro Series™ Tables & Seating**  
**Event Series Folding/Stacking**  
**Chairs & Tables**  
**Drafting Furniture**  
**Small Office/Home Office**

DESKING

CASEGOODS

CONFERENCE &  
TRAINING TABLES

SEATING

STORAGE &  
FILING

**SPECIALTY  
SOLUTIONS**

COM  
FORMS

PRODUCT  
INDEX

# MAILFLOW SYSTEMS®

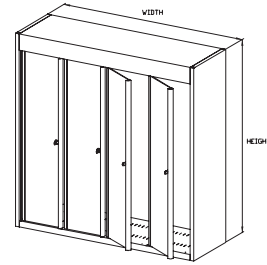
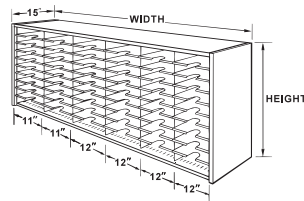


The industry's leading product line offers everything you need for your corporate mail center including sorters, tables, cabinets, carts and more.

## CLOSED-BACK SORTERS

- All sorters are 15" deep.
- Sorting shelves are 12"\*, 14" or 15" deep. Adjust on 1/2"H increments.
- Sorting shelves have thumb cuts and labeling flanges on the front edge of each shelf.
- Preconfigured models available, or build-your-own by specifying empty and adding components on pages 280 and 281. The letter E designates empty sorters.\*
- Sorters are available with locking Plexiglas doors, the letters CP designates preconfigured models with locking doors, and the letters EP designates empty sorters with locking doors.
- **Standard Plexiglas doors are clear.** For smoked Plexiglas, add 10% of list and an "S" suffix to standard Plexiglas door sorter.
- Pricing below is for sorters with and without locking doors.
- 50 lb. weight capacity per shelf.

**Closed-Back Sorter  
(SC7233G)**



**Closed-Back Sorter  
(SC4833EP)**

Model No.	Width	Height	Shelf Depth	No. of 3" High Sorting Pockets	Locking Plexi Doors	Wt.	List Price
SC2424G		24"	15"	14	N	80#	\$1211
SC2424CP		(21" inside)	14"	14	Y	90#	\$1828
SC2424EP			—	Empty	Y	58#	\$1702
SC2424E			—	Empty	Y	48#	\$896
SC2433G		33"	15"	20	N	106#	\$1501
SC2433CP		(30" inside)	14"	20	Y	116#	\$2136
SC2433EP			—	Empty	Y	68#	\$1702
SC2433E	<b>24"</b>		—	Empty	N	58#	\$1022
SC2441G	(22" inside)	41"	15"	24	N	127#	\$1686
SC2441CP		(38" inside)	14"	24	Y	137#	\$2471
SC2441EP	2 columns of 11"W shelves		—	Empty	Y	78#	\$1959
SC2441E			—	Empty	N	68#	\$1188
SC2448G		48"	15"	30	N	152#	\$1848
SC2448CP		(45" inside)	14"	30	Y	162#	\$2777
SC2448EP			—	Empty	Y	88#	\$2088
SC2448E			—	Empty	N	78#	\$1243
SC3624G		24"	15"	21	N	115#	\$1268
SC3624CP		(21" inside)	14"	21	Y	125#	\$2630
SC3624EP			—	Empty	Y	77#	\$2185
SC3624E			—	Empty	N	67#	\$946
SC3633G		33"	15"	30	N	152#	\$1669
SC3633CP		(30" inside)	14"	30	Y	162#	\$3323
SC3633EP			—	Empty	Y	90#	\$2329
SC3633E	<b>36"</b>		—	Empty	N	80#	\$1204
SC3641G	(34" inside)	41"	15"	36	N	181#	\$1766
SC3641CP		(38" inside)	14"	36	Y	191#	\$3420
SC3641EP	2 columns of 11"W shelves		—	Empty	Y	103#	\$2554
SC3641E			—	Empty	N	93#	\$1044
SC3648G	and 1 column of 12"W shelves	48"	15"	45	N	218#	\$2040
SC3648CP		(45" inside)	14"	45	Y	228#	\$3981
SC3648EP			—	Empty	Y	117#	\$2697
SC3648E			—	Empty	N	107#	\$1283

**Note:** All preconfigured models are standard with two columns of 11" wide shelves and the remaining columns with 12" wide shelves. You may receive extra shelves with preconfigured sorters.

\*12" deep shelving available in the "build-your-own" format only.

**CLOSED-BACK SORTERS CONTINUED**

Model No.	Width	Height	Shelf Depth	No. of 3" High Sorting Pockets	Locking Plexi Doors	Wt.	List Price
SC4824G		24"	15"	28	N	150#	\$1829
SC4824CP		(21" inside)	14"	28	Y	160#	\$3146
SC4824EP			—	Empty	Y	96#	\$2714
SC4824E			—	Empty	N	86#	\$1116
SC4833G		33"	15"	40	N	198#	\$2224
SC4833CP		(30" inside)	14"	40	Y	208#	\$3725
SC4833EP			—	Empty	Y	112#	\$2889
SC4833E			—	Empty	N	102#	\$1265
SC4841G	<b>48"</b> (46" inside)	41"	15"	48	N	235#	\$2503
SC4841CP		(38" inside)	14"	48	Y	245#	\$4417
SC4841EP	2 columns of		—	Empty	Y	128#	\$3212
SC4841E	11"W shelves		—	Empty	N	118#	\$1333
SC4848G	and 2 columns	48"	15"	60	N	283#	\$3074
SC4848CP	of 12"W shelves	(45" inside)	14"	60	Y	293#	\$5029
SC4848EP			—	Empty	Y	145#	\$3403
SC4848E			—	Empty	N	135#	\$1622
SC6024G		24"	15"	35	N	185#	\$2090
SC6024CP		(21" inside)	14"	35	Y	195#	\$3776
SC6024EP			—	Empty	Y	115#	\$3180
SC6024E			—	Empty	N	105#	\$1202
SC6033G		33"	15"	50	N	230#	\$2633
SC6033CP		(30" inside)	14"	50	Y	240#	\$4626
SC6033EP			—	Empty	Y	120#	\$3420
SC6033E			—	Empty	N	110#	\$1316
SC6041G	<b>60"</b> (58" inside)	41"	15"	60	N	261#	\$3027
SC6041CP		(38" inside)	14"	60	Y	271#	\$5349
SC6041EP	2 columns of		—	Empty	Y	125#	\$3789
SC6041E	11"W shelves and		—	Empty	N	115#	\$1444
SC6048G	3 columns of 12"W	48"	15"	75	N	306#	\$3559
SC6048CP	shelves	(45" inside)	14"	75	Y	316#	\$6021
SC6048EP			—	Empty	Y	130#	\$4047
SC6048E			—	Empty	N	120#	\$1817
SC7224G		24"	15"	42	N	214#	\$2479
SC7224CP		(21" inside)	14"	42	Y	224#	\$4446
SC7224EP			—	Empty	Y	128#	\$3710
SC7224E			—	Empty	N	118#	\$1377
SC7233G		33"	15"	60	N	269#	\$3112
SC7233CP		(30" inside)	14"	60	Y	279#	\$5349
SC7233EP			—	Empty	Y	135#	\$4000
SC7233E			—	Empty	N	125#	\$1444
SC7241G	<b>72"</b> (70" inside)	41"	15"	72	N	309#	\$3537
SC7241CP		(38" inside)	14"	72	Y	319#	\$6361
SC7241EP	2 columns of		—	Empty	Y	143#	\$4446
SC7241E	11"W shelves		—	Empty	N	133#	\$1794
SC7248G	and 4 columns of	48"	15"	90	N	364#	\$4180
SC7248CP	12"W shelves	(45" inside)	14"	90	Y	374#	\$7276
SC7248EP			—	Empty	Y	150#	\$4738
SC7248E			—	Empty	N	140#	\$1905

DESKING

CASEGOODS

CONFERENCE &  
TRAINING TABLES

SEATING

STORAGE &  
FILING

SPECIALTY  
SOLUTIONS

COM  
FORMS

PRODUCT  
INDEX

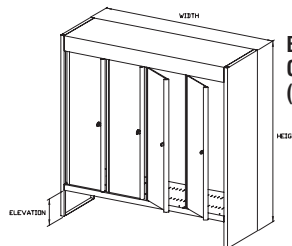
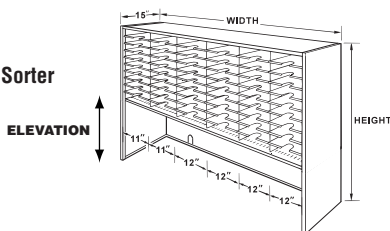


## ELEVATED CLOSED-BACK SORTERS

- All sorters are 15" deep.
- Sorting shelves are 12", 14" or 15" deep. Adjust on 1/2"H increments.
- Sorting shelves have thumb cuts and labeling flanges on the front edge of each shelf.
- Preconfigured models available, or build-your-own by specifying empty and adding components on pages 280 and 281. The letter E designates empty sorters.\*
- Sorters are available with locking Plexiglas doors, the letters CP designates preconfigured models with locking doors, and the letters EP designates empty sorters with locking doors.

- **Standard Plexiglas doors are clear.** For smoked Plexiglas, add 10% of list and an "S" suffix to standard Plexiglas door sorter.
- Elevated sorters offer more workspace, by raising the sorter off the work area.
- Pricing below is for sorters with and without locking doors.

Elevated Closed-Back Sorter  
(SC7248GH)



Elevated  
Closed-Back Sorter  
(SC4848EPL)

Model No.	Width	Height	Elevation	Shelf Depth	No. of 3" High Sorting Pockets	Locking Plexi Doors	Wt.	List Price
SC2433GL		33"	9"	15"	14	N	95#	\$1332
SC2433CPL		(21" inside)		14"	14	Y	105#	\$1909
SC2433EPL				—	Empty	Y	68#	\$1784
SC2433EL				—	Empty	N	58#	\$1022
SC2441GL		41"	8"	15"	20	N	111#	\$1666
SC2441CPL		(30" inside)		14"	20	Y	121#	\$2375
SC2441EPL				—	Empty	Y	78#	\$1909
SC2441EL				—	Empty	N	68#	\$1123
SC2441GH		41"	17"	15"	14	N	105#	\$1502
SC2441CPH	<b>24"</b>	(21" inside)		14"	14	Y	115#	\$2167
SC2441EPH	(22" inside)			—	Empty	Y	78#	\$1816
SC2441EH				—	Empty	N	68#	\$1123
SC2448GL	2 columns of	48"	7"	15"	24	N	132#	\$1848
SC2448CPL	11"W shelves	(38" inside)		14"	24	Y	142#	\$2889
SC2448EPL				—	Empty	Y	88#	\$2248
SC2448EL				—	Empty	N	78#	\$1204
SC2448GH		48"	15"	15"	20	N	132#	\$1771
SC2448CPH		(30" inside)		14"	20	Y	142#	\$2263
SC2448EPH				—	Empty	Y	88#	\$1975
SC2448EH				—	Empty	N	78#	\$1204
SC3633GL		33"	9"	15"	21	N	128#	\$1493
SC3633CPL		(21" inside)		14"	21	Y	138#	\$2569
SC3633EPL				—	Empty	Y	90#	\$2296
SC3633EL				—	Empty	N	80#	\$1123
SC3641GL		41"	8"	15"	30	N	168#	\$1926
SC3641CPL		(30" inside)		14"	30	Y	178#	\$3146
SC3641EPL				—	Empty	Y	103#	\$2471
SC3641EL				—	Empty	N	93#	\$1253
SC3641GH		41"	17"	15"	21	N	149#	\$1604
SC3641CPH	<b>36"</b>	(21" inside)		14"	21	Y	159#	\$2829
SC3641EPH	(34" inside)			—	Empty	Y	103#	\$2362
SC3641EH				—	Empty	N	93#	\$1253
SC3648GL	2 columns of	48"	7"	15"	36	N	198#	\$2167
SC3648CPL	11"W shelves	(38" inside)		14"	36	Y	208#	\$3693
SC3648EPL	and 1 column of			—	Empty	Y	117#	\$2728
SC3648EL	12"W shelves			—	Empty	N	107#	\$1364
SC3648GH		48"	15"	15"	30	N	187#	\$2091
SC3648CPH		(30" inside)		14"	30	Y	197#	\$3146
SC3648EPH				—	Empty	Y	117#	\$2488
SC3648EH				—	Empty	N	107#	\$1364

\*12" deep shelving available in the "build-your-own" format only.



**ELEVATED CLOSED-BACK SORTERS CONTINUED**

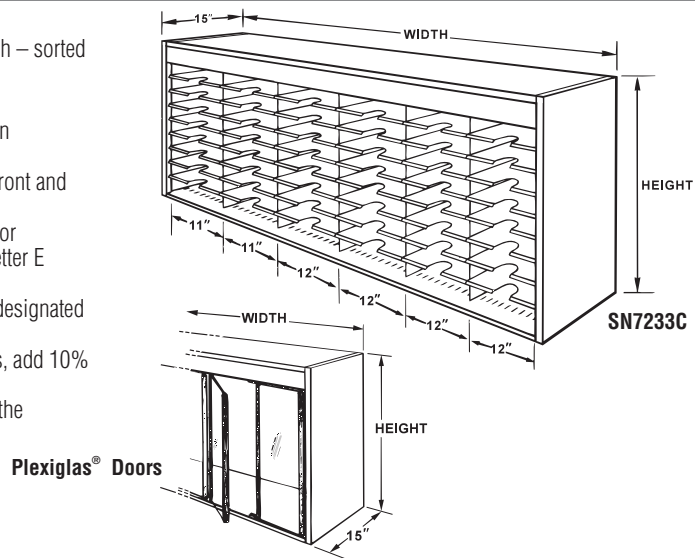
Model No.	Width	Height	Elevation	Shelf Depth	No. of 3" High Sorting Pockets	Locking Plexi Doors	Wt.	List Price
SC4833GL		33"	9"	15"	28	N	160#	\$1888
SC4833CPL		(21" inside)		14"	28	Y	170#	\$3243
SC4833EPL				—	Empty	Y	112#	\$2829
SC4833EL				—	Empty	N	102#	\$1265
SC4841GL	<b>48"</b>	41"	8"	15"	40	N	224#	\$2400
SC4841CPL	(46" inside)	(30" inside)		14"	40	Y	234#	\$3856
SC4841EPL				—	Empty	Y	128#	\$3051
SC4841EL	2 columns of			—	Empty	N	118#	\$1443
SC4841GH	11"W shelves	41"	17"	15"	28	N	193#	\$2000
SC4841CPH	and 2 columns	(21" inside)		14"	28	Y	203#	\$3470
SC4841EPH	of 12"W shelves			—	Empty	Y	128#	\$2907
SC4841EH				—	Empty	N	118#	\$1443
SC4848GL		48"	7"	15"	48	N	263#	\$2926
SC4848CPL		(38" inside)		14"	48	Y	273#	\$4497
SC4848EPL				—	Empty	Y	145#	\$3372
SC4848EL				—	Empty	N	135#	\$1526
SC4848GH		48"	15"	15"	40	N	241#	\$2569
SC4848CPH		(30" inside)		14"	40	Y	251#	\$3903
SC4848EPH				—	Empty	Y	145#	\$3113
SC4848EH				—	Empty	N	135#	\$1526
SC6033GL		33"	9"	15"	35	N	203#	\$2214
SC6033CPL		(21" inside)		14"	35	Y	213#	\$3872
SC6033EPL				14"	Empty	Y	120#	\$3310
SC6033EL				—	Empty	N	110#	\$1398
SC6041GL		41"	8"	15"	50	N	248#	\$2808
SC6041CPL		(30" inside)		14"	50	Y	258#	\$4658
SC6041EPL				—	Empty	Y	125#	\$3566
SC6041EL				—	Empty	N	115#	\$1526
SC6041GH		41"	17"	15"	35	N	208#	\$2382
SC6041CPH	<b>60"</b>	(21" inside)		14"	35	Y	218#	\$3935
SC6041EPH	(58" inside)			—	Empty	Y	125#	\$3372
SC6041EH				—	Empty	N	115#	\$1526
SC6048GL	2 columns of	48"	7"	15"	60	N	275#	\$3262
SC6048CPL	11"W shelves	(38" inside)		14"	60	Y	285#	\$5461
SC6048EPL	and 3 columns			—	Empty	Y	130#	\$3950
SC6048EL	of 12"W shelves			—	Empty	N	120#	\$1604
SC6048GH		48"	15"	15"	50	N	233#	\$2981
SC6048CPH		(30" inside)		14"	50	Y	243#	\$4804
SC6048EPH				—	Empty	Y	130#	\$3645
SC6048EH				—	Empty	N	120#	\$1604
SC7233GL		33"	9"	15"	42	N	237#	\$2581
SC7233CPL		(21" inside)		14"	42	Y	247#	\$4577
SC7233EPL				—	Empty	Y	135#	\$3872
SC7233EL				—	Empty	N	125#	\$1509
SC7241GL		41"	8"	15"	60	N	292#	\$3385
SC7241CPL		(30" inside)		14"	60	Y	302#	\$5461
SC7241EPL				—	Empty	Y	143#	\$4174
SC7241EL				—	Empty	N	133#	\$1604
SC7241GH		41"	17"	15"	42	N	245#	\$2844
SC7241CPH	<b>72"</b>	(21" inside)		14"	42	Y	255#	\$4640
SC7241EPH	(70" inside)			—	Empty	Y	143#	\$3950
SC7241EH				—	Empty	N	133#	\$1604
SC7248GL	2 columns of	48"	7"	15"	72	N	332#	\$3647
SC7248CPL	11"W shelves	(38" inside)		14"	72	Y	347#	\$6425
SC7248EPL	and 4 columns			—	Empty	Y	155#	\$4593
SC7248EL	of 12"W shelves			—	Empty	N	140#	\$1766
SC7248GH		48"	15"	15"	60	N	300#	\$3504
SC7248CPH		(30" inside)		14"	60	Y	315#	\$5543
SC7248EPH				—	Empty	Y	155#	\$4255
SC7248EH				—	Empty	N	140#	\$1766

DESKING  
CASEGOODS  
CONFERENCE & TRAINING TABLES  
SEATING  
STORAGE & FILING  
SPECIALTY SOLUTIONS  
COM FORMS  
PRODUCT INDEX

## OPEN-BACK SORTERS

Open-Back Sorters are typically used where mail is passed through – sorted on one side and collected by the recipient on the other.

- All sorters are 15" deep with 14" deep sorting shelves. Adjust on 1/2"H increments.
- Sorting shelves have thumb cuts and labeling flanges on both front and back of shelves.
- Preconfigured models, designated by the letter C are available, or build-your-own by specifying empty sorter designated by the letter E and adding components on pages 280 and 281.
- All sorters are available with locking Plexiglas doors, which is designated by the letter P.
- **Standard Plexiglas doors are clear.** For smoked Plexiglas, add 10% of list and an "S" suffix to standard Plexiglas door sorter.
- Elevated sorters offer more workspace, by raising the sorter off the work area.
- Pricing below is for sorters with and without doors.



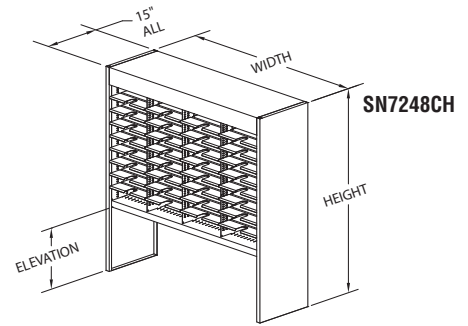
Model No.	Width	Height	No. of 3" High Sorting Pockets	Wt.	List Price	List Price With Doors P Suffix
SN4824E	48"	24" (18" inside)	Empty	55#	\$1110	\$2458
SN4833C	(46" inside)	33"	36	149#	\$2071	\$2777
SN4833E	2 columns of	(27" inside)	Empty	60#	\$1240	\$2585
SN4841C	11"W shelves	41"	44	181#	\$2479	\$3533
SN4841E	and 2 columns	(35" inside)	Empty	65#	\$1348	\$2907
SN4848C	of 12"W shelves	48"	56	213#	\$2903	\$4143
SN4848E		(42" inside)	Empty	70#	\$1413	\$2988
SN6024E	60"	24" (18" inside)	Empty	70#	\$1147	\$2889
SN6033C	(58" inside)	33"	45	188#	\$2444	\$3533
SN6033E	2 columns of	(27" inside)	Empty	75#	\$1261	\$3034
SN6041C	11"W shelves	41"	55	238#	\$2831	\$4128
SN6041E	and 3 columns	(35" inside)	Empty	80#	\$1529	\$3454
SN6048C	of 12"W shelves	48"	70	285#	\$3460	\$5140
SN6048E		(42" inside)	Empty	85#	\$1604	\$3533
SN7224E	72"	24" (18" inside)	Empty	85#	\$1285	\$3357
SN7233C	(70" inside)	33"	54	232#	\$2741	\$4434
SN7233E	2 columns of	(27" inside)	Empty	95#	\$1443	\$3549
SN7241C	11"W shelves	41"	66	282#	\$3323	\$4816
SN7241E	and 4 columns	(35" inside)	Empty	105#	\$1686	\$4032
SN7248C	of 12"W shelves	48"	84	331#	\$3974	\$5784
SN7248E		(42" inside)	Empty	115#	\$1766	\$4128

**Note:** All preconfigured models are standard with two columns of 11" wide shelves and the remaining columns with 12" wide shelves. You may receive extra shelves with preconfigured sorters.

## ELEVATED OPEN-BACK SORTERS

Open-Back Sorters are typically used where mail is passed through – sorted on one side and collected by the recipient on the other.

- All sorters are 15" deep with 14" deep sorting shelves. Adjust on 1/2"H increments.
- Sorting shelves have thumb cuts and labeling flanges on both front and back of shelves.
- Preconfigured models, designated by the letter C are available, or build-your-own by specifying empty sorter designated by the letter E and adding components on pages 280 and 281.
- All sorters are available with locking Plexiglas doors, which is designated by the letter P.
- **Standard Plexiglas doors are clear.** For smoked Plexiglas, add 10% of list and an "S" suffix to standard Plexiglas door sorter.
- Elevated sorters offer more workspace, by raising the sorter off the work area.
- Pricing below is for sorters with and without doors.



Model No.	Width	Height	Elevation	No. of 3" High Sorting Pockets	Wt.	List Price	List Price With Doors P Suffix
SN4833CL		33"	9"	24	103#	\$1828	\$3310
SN4833EL		(18" inside)		Empty	55#	\$1240	\$2650
SN4841CL	<b>48"</b>	41"	8"	36	132#	\$2272	\$3663
SN4841EL	(46" inside)	(27" inside)		Empty	60#	\$1473	\$2810
SN4841CH		41"	17"	24	108#	\$2064	\$3324
SN4841EH	2 columns of	(18" inside)		Empty	60#	\$1348	\$2728
SN4848CL	11"W shelves	48"	7"	44	153#	\$2725	\$4239
SN4848EL	and 2 columns	(35" inside)		Empty	65#	\$1571	\$3113
SN4848CH	of 12"W shelves	48"	15"	36	137#	\$2365	\$3693
SN4848EH		(27" inside)		Empty	65#	\$1396	\$2841
SN6033CL		33"	9"	30	135#	\$2138	\$3903
SN6033EL		(18" inside)		Empty	75#	\$1193	\$3101
SN6041CL	<b>60"</b>	41"	8"	45	170#	\$2669	\$4304
SN6041EL	(58" inside)	(27" inside)		Empty	80#	\$1529	\$3243
SN6041CH		41"	17"	30	140#	\$2393	\$3935
SN6041EH	2 columns of	(18" inside)		Empty	80#	\$1413	\$3133
SN6048CL	11"W shelves	48"	7"	55	195#	\$2927	\$4947
SN6048EL	and 3 columns	(35" inside)		Empty	85#	\$1444	\$3693
SN6048CH	of 12"W shelves	48"	15"	45	175#	\$2888	\$4335
SN6048EH		(27" inside)		Empty	85#	\$1661	\$3292
SN7233CL		33"	9"	36	164#	\$2524	\$4577
SN7233EL		(18" inside)		Empty	92#	\$1443	\$3533
SN7241CL	<b>72"</b>	41"	8"	54	213#	\$3056	\$5140
SN7241EL	(70" inside)	(27" inside)		Empty	105#	\$1689	\$3693
SN7241CH		41"	17"	36	177#	\$2764	\$4593
SN7241EH	2 columns of	(18" inside)		Empty	105#	\$1689	\$3533
SN7248CL	11"W shelves	48"	7"	66	247#	\$3364	\$5784
SN7248EL	and 4 columns	(35" inside)		Empty	115#	\$1604	\$4174
SN7248CH	of 12"W shelves	48"	15"	54	223#	\$3236	\$5140
SN7248EH		(27" inside)		Empty	115#	\$1786	\$3693

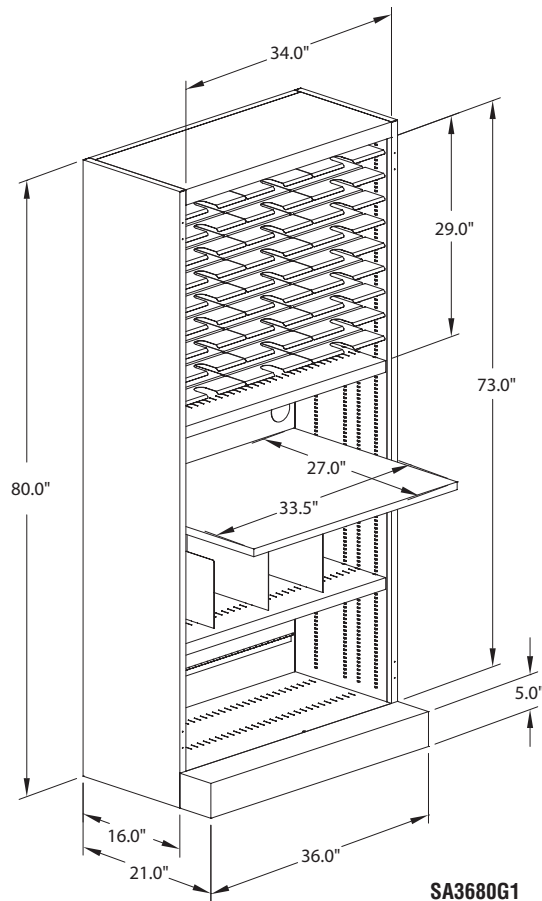
**Note:** All preconfigured models are standard with two columns of 11" wide shelves and the remaining columns with 12" wide shelves. You may receive extra shelves with preconfigured sorters.

## SPECIALIZED SORTERS

### Satellite Sorters

Kwik-File Satellite Sorters are ideal for final sorting of mail in departments.

- 36"W models standard with 11" and 12"W pockets for mail sorting.
- 1" thick standard low-pressure laminate work surface is 27"D and adjusts within cabinet on 1/2"H increments. Add suffix LAM for high pressure laminate.
- All-welded steel cabinet construction.
- Steel back panel of cabinet has one 3" diameter cable management cutout.
- Shelves adjust on 1/2"H increments.

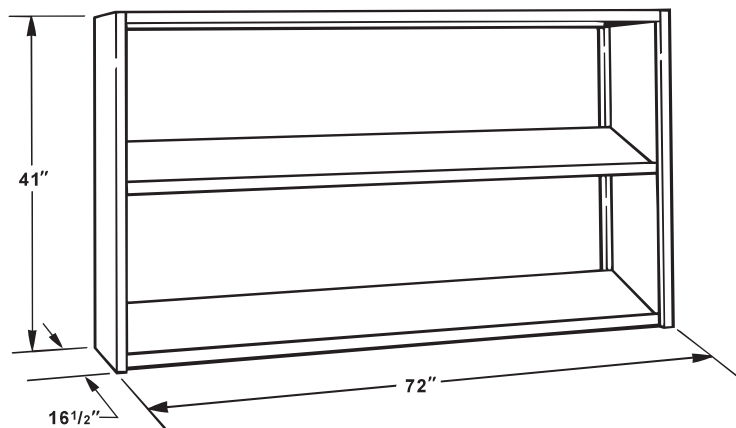


SA3680G1

Model No.		Width	Height	Shelf Depth	No. of 3" High Sorting Pockets	Wt.	Low-Pressure Laminate List Price	Std. Laminate List Price
								LAM Suffix
SA3680G1	2 columns of 11"W	36"	80"	15"	30	240#	\$3363	\$3463
SA3680L1	shelves and 1 column			12"	30	222#	\$3212	\$3374
SA3680E1	of 12"W shelves			-	Empty	190#	\$2160	\$2323

### Tub Sorter

The Kwik-File Tub Sorter is for bulk pre-sorting operations using USPS tubs. Capacity is 10 tubs (five tubs per shelf). Angled shelves make sorting easier. The front shelf edges are protected from tubs by vinyl strips, shelf tops by transparent sheet vinyl. All-welded steel construction; open back.



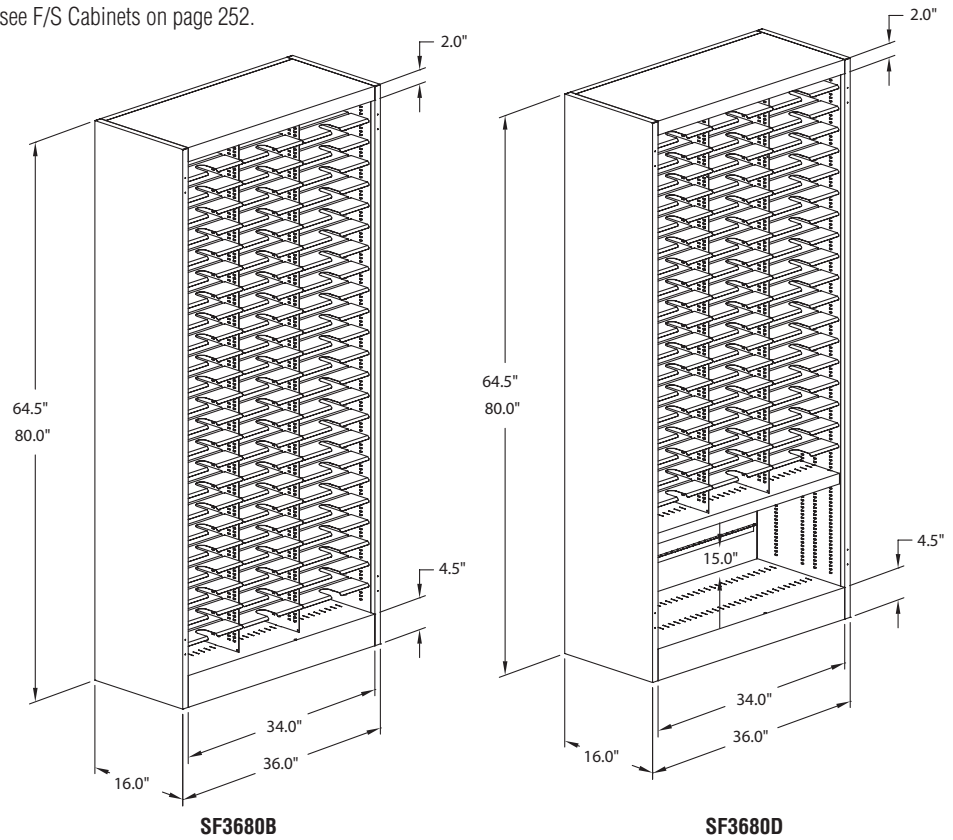
Model No.	Width	Height	Depth	Wt.	List Price
SB7241	72"	41"	16 1/2"	170#	\$2099

## SPECIALIZED SORTERS

### Freestanding Sorters

Use Kwik-File Freestanding Sorters where space is limited and work surface is not required.

- Preconfigured models come standard with 3"H pockets in either letter (12"D) or legal (15"D) depths. Adjust on 1/2"H increments.
- All-welded steel cabinet construction.
- For other Freestanding Sorter models, see F/S Cabinets on page 252.



Model No.	Width	Height	Shelf Depth	No. of 3" High Sorting Pockets	Wt.	List Price
SF3665BL1	36"	64 1/2"	12"	57	292#	\$2996
SF3665DL1	2 columns of 11"W shelves and 1 column of 12"W shelves		15"	45	273#	\$2874
SF3665BG1	2 columns of 11"W shelves and 1 column of 12"W shelves		12"	57	312#	\$3304
SF3665DG1	2 columns of 11"W shelves and 1 column of 12"W shelves		15"	45	288#	\$3136
SF3680BL1	36"	80"	12"	72	414#	\$3508
SF3680DL1	2 columns of 11"W shelves and 1 column of 12"W shelves		15"	57	397#	\$3319
SF3680BG1	2 columns of 11"W shelves and 1 column of 12"W shelves		12"	72	444#	\$3792
SF3680DG1	2 columns of 11"W shelves and 1 column of 12"W shelves		15"	57	422#	\$3546

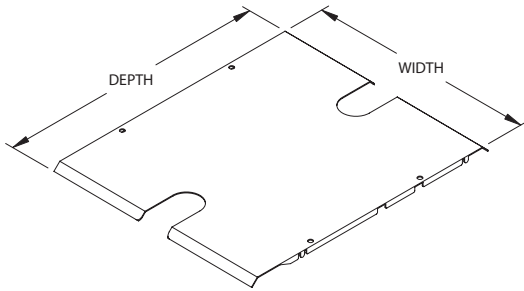
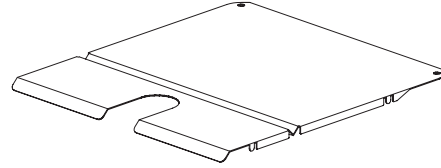
## SHELVES AND SHELF SUPPORTS

### Shelves

The patented Kwik-Shelf™ shelving system is the key to the space-saving efficiency and improved productivity provided by Kwik-File sorters.

- All shelves lock in place and won't pull out when retrieving mail.
- Shelves can be removed for easy height adjustment on 1/2" increments.
- All shelves have centered thumb cut for quick one-handed retrieval of mail.
- Front edge of shelves has a 45° beveled labeling flange for easy reading of labels and allows mail from pocket below to pass under above shelf without hanging up.
- Heavy-duty, 20-gauge shelves with V-groove hold up to 75 lbs. per pocket.

**Note:** Kwik-Shelf system not compatible with shelves shipped prior to October 1995. Call Customer Service for additional old-style shelves.



#### Shelves for Open-Back Sorters, Plex Door Units Included

(available in packages of 6, 12 or 18 shelves only)

##### 6-Shelf Package

Model No.	Width	Depth	Wt. per shelf	List Price
1114P06	11"	14 1/2"	2.0#	\$143
1214P06	12"	14 1/2"	2.5#	\$148

#### Shelves for Closed-Back Sorters with Doors

##### 6-Shelf Package

Model No.	Width	Depth	Wt. per shelf	List Price
1114SDP06	11"	14"	2.0#	\$208
1214SDP06	12"	14"	2.5#	\$223

#### Shelves for Non-Plex Door Closed-Back Sorters

##### 6-Shelf Package

Model No.	Width	Depth	Wt. per shelf	List Price
0412P06	4"	12"	.5#	\$78
0512P06	5"	12"	.75#	\$85
0515P06	5"	15"	1.0#	\$89
0612P06	6"	12"	.75#	\$88
0712P06	7"	12"	1.0#	\$90
0812P06	8"	12"	1.05#	\$106
0912P06	9"	12"	1.05#	\$116
0915P06	9"	15"	2.0#	\$135
1012P06	10"	12"	1.15#	\$123
1015P06	10"	15"	1.5#	\$142
1112P06	11"	12"	1.25#	\$130
1115P06	11"	15"	1.65#	\$143
1212P06	12"	12"	1.4#	\$132
1215P06	12"	15"	1.75#	\$148
1412P06	14"	12"	2.3#	\$179
1415P06	14"	15"	2.75#	\$196
1515P06	15"	15"	2.9#	\$217
1612P06	16"	12"	2.8#	\$208
1615P06	16"	15"	3.0#	\$234

#### To design your own sorter configuration

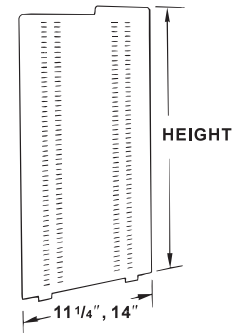
(different from preconfigured models listed in pages 272-277)

1. Assess the volume and size of your mail. Then determine the size and number of pockets you'll need, considering each pocket's height, shelf width and shelf depth.
2. Select an empty sorter from pages 272-277 and configure it with the shelves sized from step 1. Try to use (but not exceed) the full interior space of each sorter. Specify shelf supports (one less than the number of columns of shelves) and shelves as shown on this page.
3. If you need assistance, call Customer Service.

## SHELVES AND SHELF SUPPORTS

### Shelf Supports

Shelf Supports divide a sorter into columns, and support the shelves within each column. Shelf supports are adjustable in 1" horizontal increments to fit various shelf widths. Each support is slotted at 1/2" vertical increments for shelf adjustment. Shelf support models are based on sorter type, height, and shelf depth. When ordering, remember that the two end shelf supports are included with each sorter.



### Shelf Supports

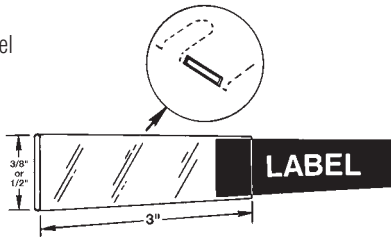
(available in packages of 1, 2, 3, 4, or 5 units only)

Sorter Type	Ht.	For Shelf Depth of	Wt. per Shelf	1-Unit Package		2-Unit Package		3-Unit Package		4-Unit Package		5-Unit Package	
				Model No.	List Price	Model No.	List Price	Model No.	List Price	Model No.	List Price	Model No.	List Price
Closed-Back	21"	12"	5.4#	SS24LM01	\$45	SS24LM02	\$89	SS24LM03	\$134	SS24LM04	\$182	SS24LM05	\$225
		15"	8.4#	SS24GM01	\$55	SS24GM02	\$111	SS24GM03	\$166	SS24GM04	\$223	SS24GM05	\$276
	30"	12"	8.0#	SS33LM01	\$53	SS33LM02	\$107	SS33LM03	\$160	SS33LM04	\$216	SS33LM05	\$266
		15"	10.5#	SS33GM01	\$65	SS33GM02	\$130	SS33GM03	\$188	SS33GM04	\$258	SS33GM05	\$319
	38"	12"	9.5#	SS41LM01	\$65	SS41LM02	\$130	SS41LM03	\$188	SS41LM04	\$258	SS41LM05	\$319
		15"	12.6#	SS41GM01	\$76	SS41GM02	\$152	SS41GM03	\$225	SS41GM04	\$298	SS41GM05	\$374
	45"	12"	11.0#	SS48LM01	\$76	SS48LM02	\$152	SS48LM03	\$225	SS48LM04	\$298	SS48LM05	\$374
		15"	14.8#	SS48GM01	\$88	SS48GM02	\$172	SS48GM03	\$258	SS48GM04	\$342	SS48GM05	\$427
Open-Back & Plexi-Back	21"	14 1/2"	8.0#	SS24N01	\$55	SS24N02	\$111	SS24N03	\$166	SS24N04	\$223	SS24N05	\$276
	30"	14 1/2"	10.0#	SS33N01	\$65	SS33N02	\$130	SS33N03	\$188	SS33N04	\$258	SS33N05	\$319
	38"	14 1/2"	12.0#	SS41N01	\$76	SS41N02	\$152	SS41N03	\$225	SS41N04	\$298	SS41N05	\$374
	45"	14 1/2"	14.0#	SS48N01	\$89	SS48N02	\$178	SS48N03	\$258	SS48N04	\$351	SS48N05	\$438

## SORTER ACCESSORIES

### Label Holders

Transparent, self-adhesive Label Holders fit securely on beveled shelf front. A blank, white insert with four sides is included. Package of 20. Choose from self-adhesive, magnetic, or velcro models.



Model No.	Type	Width	Height	Wt.	List Price
90145	Adhesive	3"	3/8"	1 oz.	\$27
911785	Magnetic	3"	1/2"	3 oz.	\$43
922VEL	Velcro	3"	1/2"	3 oz.	\$53

### Extra Labels

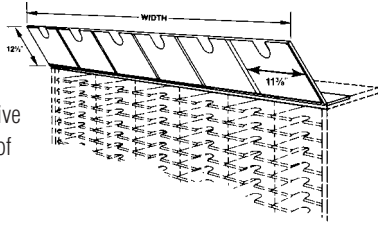
Set of label inserts in six colors (white, orange, blue, yellow, pink and green), in microperforated, 8 1/2" x 11" sheets. 14 four-sided blank label inserts per color, 84 per set. Fit in label holders (above). Use with PC and ink jet or laser printer.

Model No.	Type	Width (Ea. Label)	Height (Ea. Label)	Wt.	List Price
90155	Adhesive – Colored	3"	3/8"	1 oz.	\$5
911885	Magnetic – Colored	3"	1/2"	1 oz.	\$5
90154	Adhesive – White	3"	3/8"	1 oz.	\$5
911884	Magnetic – White	3"	1/2"	1 oz.	\$5



**SORTER ACCESSORIES****Display Boards**

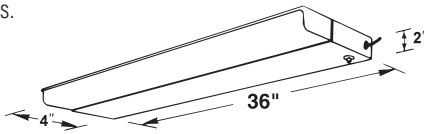
Use overhead Display Boards to post sorting instructions, etc.; they're easy to read, yet out of the way. Letter-sized sheets fit between steel frame and protective Plexiglas® cover. Mount to top of the sorter, hardware provided. Add 11 1/4" to the height of any sorter. Field-installed.



Model No.	Width	No. of Columns	Wt.	List Price
<b>ADB3</b>	36"	3	11#	\$370
<b>ADB4</b>	48"	4	14#	\$457
<b>ADB5</b>	60"	5	18#	\$559
<b>ADB6</b>	72"	6	22#	\$588

**Task Lights**

Task Lights illuminate worksurfaces under elevated sorters or flipper door units. Standard with 10' cord and wire management clip. White frame. UL-listed. Field-installed.



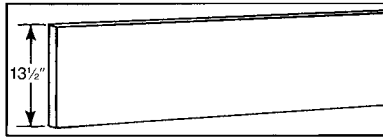
Model No.	Width	Wt.	List Price
<b>2504K</b>	24"	4#	\$173
<b>3704K</b>	36"	8#	\$223
<b>4904K</b>	48"	10#	\$276

\*48" light for use with 60" or 72" units only.

\*36" light for use with 48" units.

**Tackboards**

Tackboards are field-installed on the back panel of 15"-17" high elevated sorters, and flipper door units in the supervisor's workstation. For displaying notices, etc., and to improve acoustics. Gray mix fabric. All 13 1/2" H.



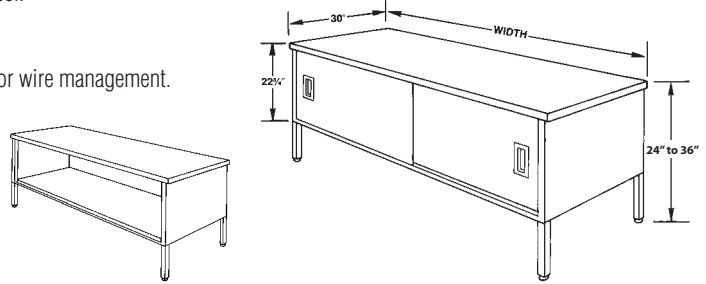
Model No.	Width	Wt.	List Price
<b>ATB3FK</b>	34"	6#	\$349
<b>ATB4FK</b>	46"	9#	\$419
<b>ATB5FK</b>	58"	12#	\$489
<b>ATB6FK</b>	70"	15#	\$531

## TABLES

Built to support heavily loaded sorters or machines, Kwik-File Mailflow System tables are available in several styles and sizes.

- Table frames are of all-welded 18-gauge steel construction with an under-top reinforcement of 12-gauge steel.
- Work surfaces are of 1" thick thermally fused low-pressure laminate with medium density wood cores as standard. Add suffix LAM for high pressure laminate.
- Tops have radiused 3mm PVC edging guaranteed not to chip, crack, or peel.
- Top overhangs frame by 1" front and back and 1/8" on the sides.
- Optional front bullnose edge and grommet available.
- Back panels on all tables and consoles come with 3 standard knockouts for wire management.
- Adjustable shelf kits.
- Optional sliding doors with locks standard.
- 1,150 lb capacity, evenly distributed.

**Note:** Leg specifications are not applicable to the electric table.  
See pages 286-287 for Table Accessories.



### Storage Tables

Storage Tables provide a large storage space (28" deep by 19" high) for immediate access to needed supplies such as bags, cartons, envelopes, etc. Available with doors to hide the clutter and a lock if security is required. 1 1/2" square, 16-gauge chrome legs adjust from 24" to 36" on 1" increments. Call Customer Service for other height ranges. For a stylish front edge or additional wire management capabilities, please see below. Master key not available.

**Note:** 24" and 36" deep custom tables available. Call Customer Service for quotation.

Model No.	Width	Cubic Feet Storage	Doors	Shelf	Wt./Cartons	Low-Pressure Laminate List Price	Std. Laminate List Price
<b>TS36L</b>	36	10.5	Yes w/lock	No	146#/1	\$1959	\$2187
<b>TS36N</b>			No	No	129#/1	\$1542	\$1769
<b>TS48L</b>	48	13.5	Yes w/lock	No	172#/1	\$2193	\$2426
<b>TS48N</b>			No	No	155#/1	\$1705	\$1934
<b>TS60L</b>	60	16.5	Yes w/lock	No	198#/1	\$2445	\$2694
<b>TS60N</b>			No	No	180#/1	\$1922	\$2176
<b>TS72L</b>	72	20	Yes w/lock	No	250#/1	\$2696	\$2980
<b>TS72N</b>			No	No	230#/1	\$2147	\$2432

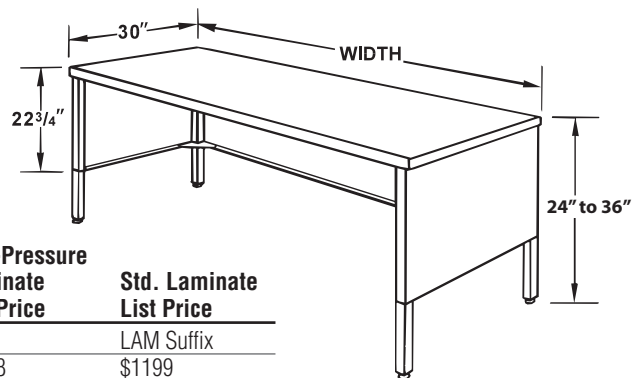
### Grommet

For additional wire management select a grommet. Grommets are located towards the rear and positioned in the center of the table.

Model No. Suffix	Description	List Price
<b>G</b>	Multi use grommet	\$28

### Work Tables

Work Tables are functional yet economical. They support sorters or machines and are enclosed on three sides, making them convenient for storing carts or other large objects on the floor. For a stylish front edge or additional wire management capabilities, please see below.



Model No.	Width	Wt.	Low-Pressure Laminate List Price	Std. Laminate List Price
<b>TW30</b>	30"	66#	\$1078	\$1199
<b>TW36</b>	36"	76#	\$1236	\$1464
<b>TW48</b>	48"	94#	\$1316	\$1546
❖ <b>TW60</b>	60"	122#	\$1529	\$1784
❖ <b>TW72</b>	72"	150#	\$1736	\$2018

### Grommet

For additional wire management select a grommet. Grommets are located towards the rear and positioned in the center of the table.

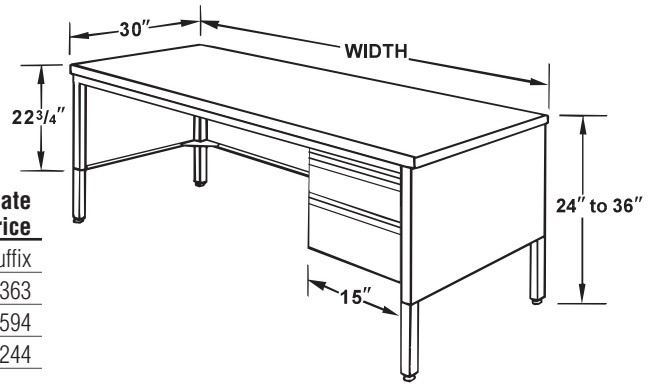
Model No. Suffix	Description	List Price
<b>G</b>	Multi use grommet	\$28

❖ Indicates Kwik-Ship models.

## STORAGE TABLES

### Pedestal Tables

For Supervisor's Workstation, or for filing or storage at any workstation. Suspended pedestal, with one box and one file drawer, lock included. Field installed; can be mounted on either left or right side, or on both sides. Pedestal measures 15 1/4"W x 21 3/4"D x 19 3/8"H.

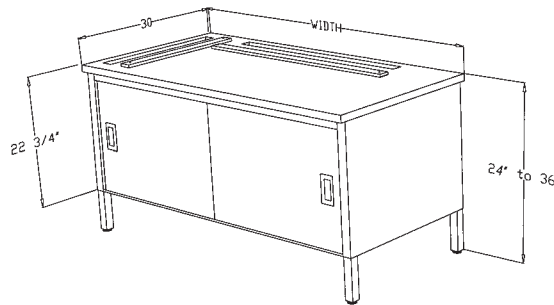


Model No.	Width	Wt.	Low-Pressure Laminate List Price	Std. Laminate List Price	LAM Suffix
TP48	48"	138#	\$2128	\$2363	
TP60	60"	166#	\$2339	\$2594	
TP72	72"	194#	\$2963	\$3244	
APED1	Pedestal only	48#	\$863	—	

## TABLE AND CONSOLE ACCESSORIES

### Wrapping Tables

Wrapping Tables are specially designed to accommodate either 24" or 36" paper rolls below the table top work surface. This keeps the entire top area clear for the wrapping and handling of packages. Tables for 24" paper rolls have a left side slot; tables for 36" paper rolls offer a rear slot. There is extra storage room for supplies inside all models.



Model No.	Width	Paper Size	Doors	Wt.	Low-Pressure Laminate List Price	Std. Laminate List Price	LAM Suffix
TR60DS	60"	24" Wide (side slot)	Yes	198#	\$2985	\$3243	
TR60LS			Yes w/ lock	198#	\$3049	\$3312	
TR60NS			No	180#	\$2546	\$2739	
TR60DR	72"	36" Wide (rear slot)	Yes	198#	\$3049	\$3312	
TR60LR			Yes w/ lock	198#	\$3120	\$3380	
TR60NR			No	180#	\$2613	\$2874	
TR72DS	72"	24" Wide (side slot)	Yes	250#	\$3236	\$3527	
TR72LS			Yes w/ lock	250#	\$3304	\$3595	
TR72NS			No	230#	\$2757	\$3046	
TR72DR	72"	36" Wide (rear slot)	Yes	250#	\$3306	\$3596	
TR72LR			Yes w/ lock	250#	\$3372	\$3653	
TR72NR			No	230#	\$2830	\$3113	

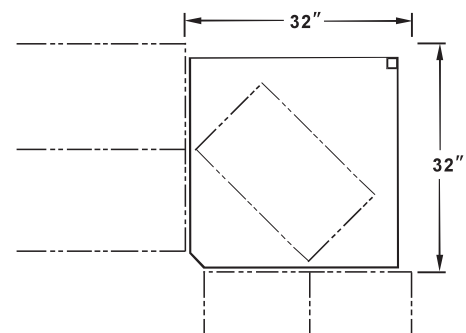
## CORNER PLATFORM

Supports 24"-wide sorter in a corner when used in L-shaped or U-shaped sorter layouts against a wall. The 32" square footprint provides better clearance at the sides of the sorter for more efficient sorting and retrieval. The TCNR Corner Platform is less expensive than the 30" x 30" TW30 Work Table, but installation is more complex.

When sorters will be in the open, or visible from the rear; or if the corner configuration will be used for a worksurface only, and not to support a sorter, we recommend specifying the TW30 Work Table instead.

The Corner Platform is supported by one leg in the rear corner, and by brackets attached to the tables on both sides. A filler panel is included (fills base-to-top gap in front between adjacent tables). Field installed.

Adjustable 1" increments, 24" - 36" H

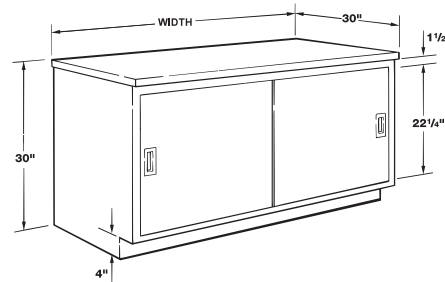


Model No.	Width	Wt.	Low-Pressure Laminate List Price	Std. Laminate List Price	LAM Suffix
TCNR	30" x 30" (fits in 32" x 32" space)	40#	\$741	\$991	

## CONSOLES

Consoles are built to support heavily loaded sorters or machines, Kwik-File Mailflow Systems Consoles are available in several styles and sizes. Each console has full-height end panels with a 4" recessed toe space for a clean built-in look.

- Tops are flush on the ends with 1" overhang front and back. When placed side-by-side they give the appearance of built-in counters.
- Table frames are of all-welded, 18-gauge steel construction with an under-top reinforcement of 12-gauge steel.
- Work surfaces are standard 1" thick thermally fused low-pressure laminate with medium density wood cores. Add suffix LAM for high pressure laminates.
- Tops have radiused 3mm PVC edging guaranteed not to chip, crack, or peel.
- Available in both 30" and 36" heights.
- Optional grommet for wire management.
- Back panels have 3 standard knock-outs for wire management.
- Adjustable shelf kits ordered separately (page 286).
- Optional sliding doors with lock standard.
- Doors standard with locks.



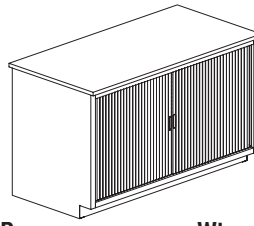
### Storage Consoles

Model No.	Width	Height	Doors	Wt.	Low-Pressure Laminate List Price	Std. Laminate List Price	LAM Suffix
<b>CL48L</b>	48	30	Yes w/lock	172	\$2436	\$2619	
<b>CL48N</b>			No	155	\$1854	\$2090	
<b>CL48NS</b>			No	165	\$2184	\$2434	
<b>CH48L</b>		36	Yes w/lock	188	\$2708	\$2942	
<b>CH48LS</b>			Yes w/lock	198	\$3037	\$3269	
<b>CH48NS</b>			No	181	\$2457	\$2692	
<b>CL60L</b>	60	30	Yes w/lock	203	\$2522	\$2773	
<b>CL60N</b>			No	184	\$1963	\$2224	
<b>CL60LS</b>		30	Yes w/lock	213	\$2849	\$3104	
<b>CL60NS</b>			No	194	\$2291	\$2554	
<b>CH60D</b>		36	Yes	220	\$2694	\$2947	
<b>CH60L</b>			Yes w/lock	220	\$2759	\$3017	
<b>CH60N</b>		36	No	201	\$2230	\$2485	
<b>CH60DS</b>			Yes	230	\$3022	\$3274	
<b>CH60LS</b>		36	Yes w/lock	230	\$3090	\$3345	
<b>CH60NS</b>			No	211	\$2559	\$2813	
<b>CL72D</b>	72	30	Yes	234	\$2723	\$3008	
<b>CL72L</b>			Yes w/lock	234	\$2790	\$3073	
<b>CL72N</b>			No	213	\$2196	\$2479	
<b>CL72DS</b>		30	Yes	244	\$3052	\$3337	
<b>CL72LS</b>			Yes w/lock	244	\$3117	\$3400	
<b>CL72NS</b>			No	223	\$2525	\$2810	
<b>CH72D</b>		36	Yes	253	\$3011	\$3292	
<b>CH72L</b>			Yes w/lock	253	\$3076	\$3359	
<b>CH72N</b>			No	232	\$2491	\$2771	
<b>CH72DS</b>		36	Yes	263	\$3339	\$3621	
<b>CH72LS</b>			Yes w/lock	263	\$3404	\$3688	
<b>CH72NS</b>			No	242	\$2818	\$3103	

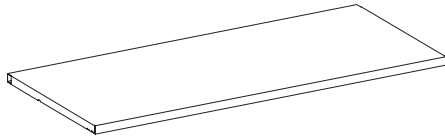
**TAMBOUR DOOR STORAGE CONSOLE**

• Standard door colors: Mist, Graphite, Pebble Gray and Sand **only**.

**Note:** All internal components are Graphite.



Model No.	Width	Height	Depth	Doors	Wt.	Low-Pressure Laminate List Price	Std. Laminate List Price
							LAM Suffix
CL48T	48"	30"	30"	Yes w/ lock	172#	\$2830	\$3047
CH48T	48"	36"	30"	Yes w/ lock	188#	\$3085	\$3304
CL60T	60"	30"	30"	Yes w/ lock	203#	\$2908	\$3146
CH60T	60"	36"	30"	Yes w/ lock	220#	\$3135	\$3373
CL72T	72"	30"	30"	Yes w/ lock	234#	\$3157	\$3426
CH72T	72"	36"	30"	Yes w/ lock	253#	\$3349	\$3617

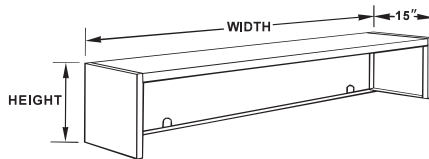
**ADJUSTABLE SHELF/ TAMBOUR DOOR CONSOLES**

Model No.	Width	Wt.	List Price
CTS36	31"	10#	\$167
CTS48	43"	15#	\$186
CTS60	55"	20#	\$202
CTS72	67"	25#	\$219

**Note:** Shelf is available in Graphite and can only be used with Tambour Door Storage Console.

**Accessory Platforms**

Use on tables to put PC monitors, printers, etc. at good viewing height; keep work surface open for machines, etc. 15" deep; full-length paper feed slot. All-welded steel construction.



Model No.	Height	Width	Wt.	List Price
AP3017		30"	28#	\$627
AP3617		36"	35#	\$643
AP4817	17 1/4"	48"	43#	\$699
AP6017	(16" inside)	60"	46#	\$765
AP7217		72"	55#	\$852
AP3024		30"	36#	\$656
AP3624		36"	45#	\$678
AP4824	24"	48"	55#	\$766
AP6024	(22 3/4" inside)	60"	59#	\$836
AP7224		72"	70#	\$938

**Grommet**

For additional wire management select a grommet. Grommets are located towards the rear and positioned in the center of the table.

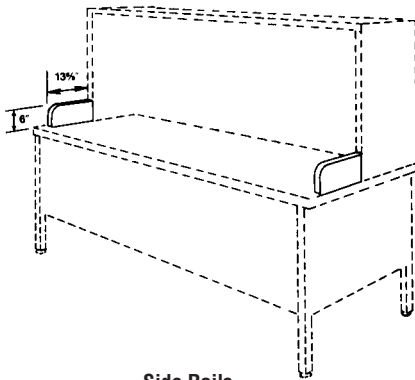
Model No. Suffix	Description	List Price
G	Multi use grommet	\$28

## TABLE ACCESSORIES

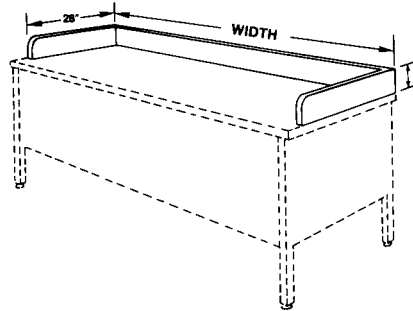
### Dump Rails

For mail collection. The three-sided version provides easier access; the four-sided version is used for high-volume applications. 6" high by 3/4" thick with complementary-colored T-molding. Field-installed.

Model No.	Style	Width	Wt.	Low-Pressure Laminate List Price	Std. Laminate List Price	LAM Suffix
<b>ADR33</b>		36"	19#	\$332	\$449	
<b>ADR34</b>		48"	22#	\$370	\$474	
<b>ADR35</b>	3-sided	60"	25#	\$399	\$487	
<b>ADR36</b>		72"	27#	\$429	\$513	
<b>ADR2</b>	Side Rails for elev. sorter	—	5#	\$246	\$300	



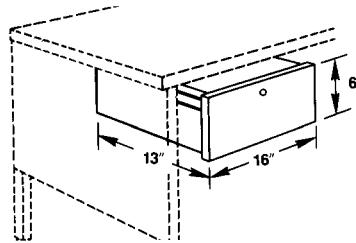
Side Rails



3-Sided Rails

### Utility Drawer

To provide secured storage (lock standard) for meter heads, stamps, etc. Mounts to any table without doors. Field-installed.



Model No.	Wt.	List Price
<b>ADRW2K</b>	18#	\$460

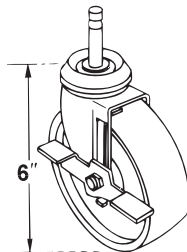
### Pencil Drawer

Store pencils, other small objects. Mounts to any table without doors; field installed. Black only.

Model No.	Width	Height	Depth	Wt.	List Price
<b>1218</b>	21"	1 3/4"	16"	7#	\$129

### Table Casters

Heavy-duty wheels with braking action; add mobility to any Kwik-File table (except Electric Height Adjustable Tables). Weight rating 500 lbs. per set of four. Field-installed.



Model No.	Description	Wt.	List Price
<b>ACASTK</b>	Set of 4 Casters	6.5#	\$340

## SPECIALIZED WORKSTATIONS

Every mailroom or shipping area needs specialized workstations for supporting meter machines, printers and other equipment, as well as providing a place for supervisory personnel. Kwik-File offers a wide

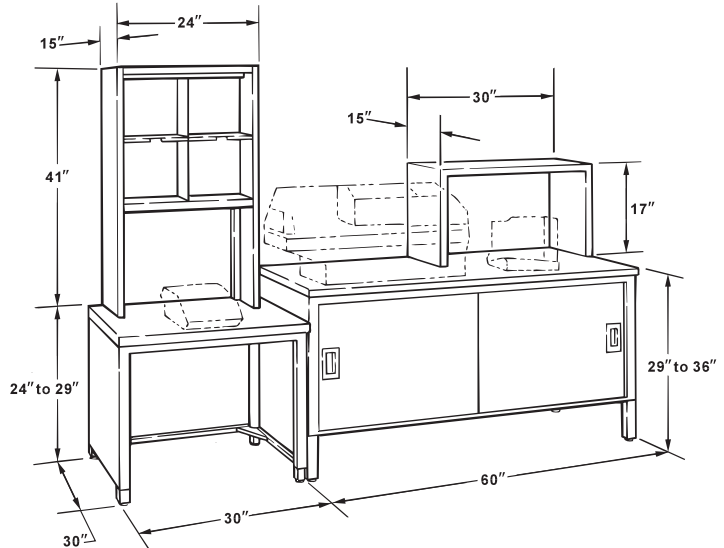
range of tables, accessory platforms, flipper door units, etc. which may be combined to accommodate a variety of specialized needs.

### Meter Machine Workstation

The Meter Machine Workstation shown below combines several Mailflow Systems models to support a scale and meter machine in a typical configuration. See specifications for tables page 83, sorters pages 272-277, accessory platforms page 286; then specify the meter machine workstation configuration that best suits your needs. Call Customer Service for assistance.

This Meter Machine Workstation, as shown at right, is priced at \$5510, and includes:

Model No.	Description	List Price Each
TW30	Work Table	\$1078
SC2441EH	Elevated Sorter (17" elevation)	\$1123
SS24LM01	Shelf Support	\$45
1112P06	Shelf (2)	\$130
TS60D	Storage Table with doors	\$2377
AP3017	Accessory Platform	\$627



See specifications and prices for individual models.

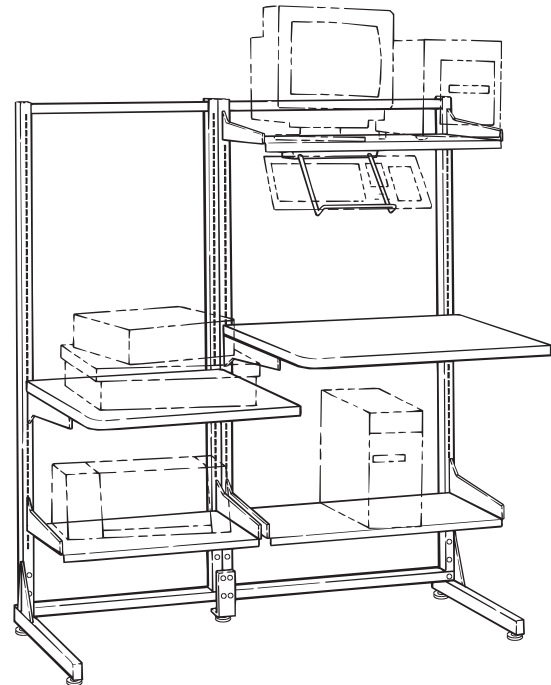
## SHIPPING WORKSTATIONS

### Shipping Workstation

Modular, frame-based system for shipping environments.

- Preconfigured SW1 station will support a scale, PC, keyboard, label printer and report printer.
- All components adjust on frames in 1"H increments.
- No tools required for adjustment of components.
- **Standard finishes:** Mist or Sand paint w/ Birch low-pressure laminate work surface

Model No.	Description	List Price Each
SW1	Shipping Workstation includes the following:	\$3524
3203060	Frame, 30"W x 60"H	\$560
3202460	Frame, 24"W x 60"H	\$545
350213R	Leg, single right	\$272
350213L	Leg, single left	\$272
350212	Foot, center support	\$83
3403030	Worksurface, 30"W x 30"D	\$528
3402430	Worksurface, 24"W x 30"D	\$466
3303016	Horizontal mounting shelf (2)	\$234
3302416	Horizontal mounting shelf	\$194
350100	Wire keyboard holder, single	\$135



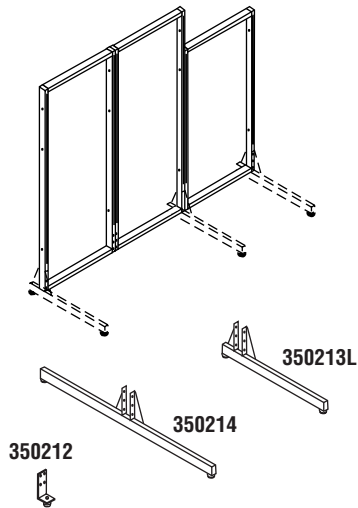
SW1 Shipping Workstation



## SHIPPING WORKSTATIONS ELEMENTS

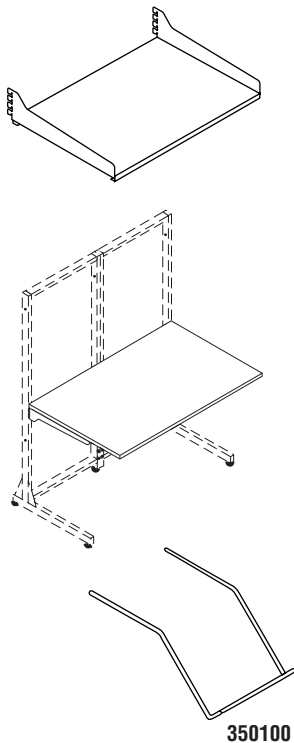
Build-your-own shipping system with individual frames, shelves, work surfaces and accessories.

- Frames are heavy-duty 11-gauge welded tubular steel.
- Frames are slotted on 1" vertical increments allowing components to connect without tools.
- Frames can be bolted together as your needs expand. 800 lbs. maximum load per frame.
- Shelves are 14-gauge steel with welded attachment brackets.
- Work surfaces are of 1" thick thermally-fused low-pressure laminate with medium density wood cores.
- **Standard finishes:** Mist or Sand paint w/ Birch low-pressure laminate work surface



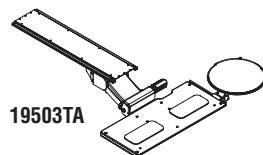
Model No.	Description	Wt.	List Price
Steel Frames			
3202460	24"W x 60"H	36#	\$545
3202472	24"W x 72"H	40#	\$585
3202484	24"W x 84"H	44#	\$642
3203060	30"W x 60"H	39#	\$560
3203072	30"W x 72"H	43#	\$596
3203084	30"W x 84"H	48#	\$656
3203660	36"W x 60"H	40#	\$580
3203672	36"W x 72"H	47#	\$607
3203684	36"W x 84"H	48#	\$666
Leg Options			
350212	Foot, center support	2#	\$83
350213R	Leg, single right	13#	\$272
350213L	Leg, single left	13#	\$272
350214	Leg, double-sided (universal)	11#	\$338
350215	Casters for frame (pair; 1 locks)	4#	\$138

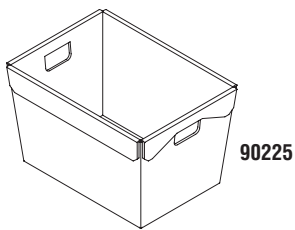
## SHIPPING WORKSTATIONS



Model No.	Description	Wt.	List Price
Horizontal Mounting Shelf, steel (includes mounting brackets)			
3302416	Shelf, 24"W x 16"D	16#	\$194
3303016	Shelf, 30"W x 16"D	19#	\$234
3303616	Shelf, 36"W x 16"D	20#	\$302
3304816	Shelf, 48"W x 16"D	27#	\$438
3305416	Shelf, 54"W x 16"D	24#	\$463
3306016	Shelf, 60"W x 16"D	32#	\$491
Desk Worksurface (includes mounting brackets)			
3402430	Worksurface, 24"W x 30"D	24#	\$466
3403030	Worksurface, 30"W x 30"D	30#	\$528
3403630	Worksurface, 36"W x 30"D	34#	\$585
3404830	Worksurface, 48"W x 30"D	45#	\$699
3406030	Worksurface, 60"W x 30"D	56#	\$911
3407230	Worksurface, 72"W x 30"D	78#	\$993
3409030	Worksurface, 90"W x 30"D	96#	\$1258
350220	Adjustable front support leg	4#	\$175
Keyboard Accessories			
350100	Wire keyboard holder, single unit	3#	\$135
19503TA*	Combination keyboard/mouse platform	15#	\$545

\*Available in Black Only.



**TOTES (NOTE: Not on GSA)****Totes**

Totes of lightweight, high-density polyethylene with 3/8" dia. galvanized wire rod reinforcement at top. Available in packages of 3.

Model No.	Description	Width	Height	Depth	Wt.	List Price
❖ 90225	Totes (3)	13 1/4"	11 1/2"	18 1/4"	8#	\$165

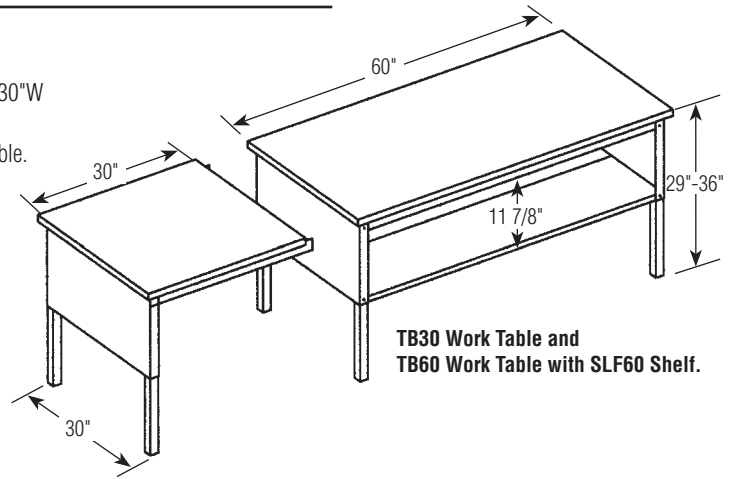
❖ Indicates Kwik-Ship models.

The perfect solution for smaller organizations needing economical and functional mail center furniture.

- Rugged steel frame construction with 1" thick thermally-fused low-pressure laminate work surfaces.
- 500 lb. weight capacity.
- Ready to assemble.
- **Standard Finishes:** Pebble Gray paint with Birch low-pressure laminate work surfaces **only**.

## Work Table

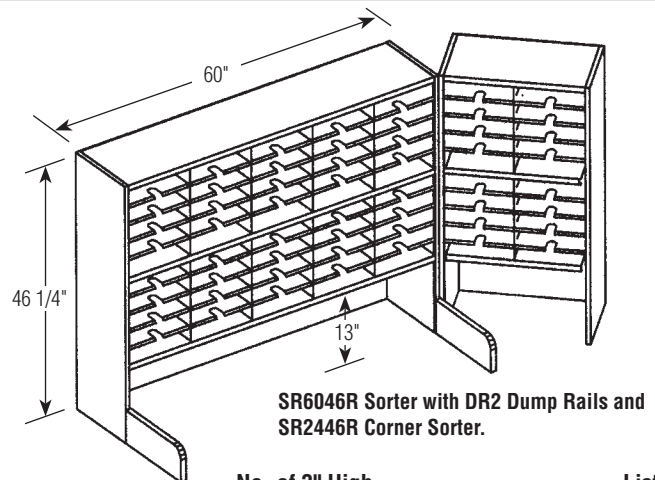
- Choice of either a 48"W or a 60"W rectangular table with attaching 30"W corner table.
- Corner table has two legs and must be installed adjacent to work table.
- Legs are 1 1/2" square, 16-gauge brushed chrome tubular steel.
- Tables adjust from 29" - 36"H on 1" increments.
- Work surfaces have 3mm PVC edge.
- 48"W and 60"W table has optional Shelf for under surface storage.
- SLF48 and SLF60 each have 75 lb. capacity.



Model No.	Description	Width	Height	Depth	Wt.	List Price
<b>TB48</b>	48"W Work Table	48"	29" - 36"	30"	90#	\$738
<b>SLF48</b>	Shelf for 48"W Work Table	44"	1"	25 1/2"	20#	\$173
<b>TB60</b>	60"W Work Table	60"	29" - 36"	30"	112#	\$976
<b>SLF60</b>	Shelf for 60"W Work Table	56"	1"	25 1/2"	25#	\$185
<b>TB30</b>	30"W Work Table	30"	29" - 36"	30"	53#	\$700
<b>1219</b>	Pencil Tray (Black Only)	21"	1 3/4"	16"		\$129

## Sorters

- Standard pocket dimension: 11 5/8"W x 2 5/8"H x 13 1/4"D. Shelves are fixed.
- Pockets sized to accommodate commonly used 10" x 13" flat envelopes.
- 48"W and 60"W sorters available in multiple heights, with or without elevated riser.
- 24"W sorter available in a two-tier with riser configuration only.
- Optional side dump rails, task light, and label holders.
- Durable steel construction, ready to assemble.

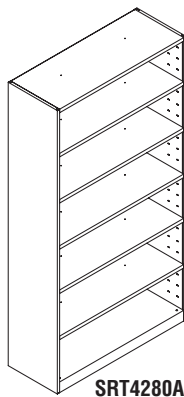
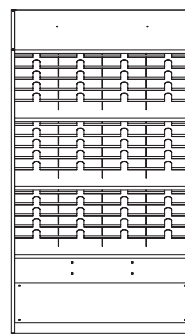
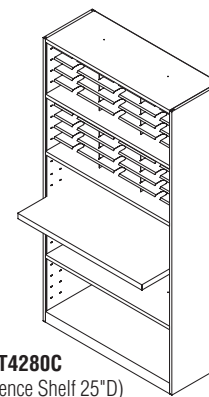


Model No.	Description	Width	Depth	Height	No. of 3" High Sorting Pockets	Wt.	List Price
<b>SR4833R</b>	1-tier, riser	48"	13 1/4"	33 1/4"	20	91#	\$850
<b>SR4833</b>	2-tier, no riser	48"	13 1/4"	33 1/4"	40	133#	\$1066
<b>SR4846R</b>	2-tier, riser	48"	13 1/4"	46 1/4"	40	146#	\$1319
<b>SR6033R</b>	1-tier, riser	60"	13 1/4"	33 1/4"	25	113#	\$863
<b>SR6033</b>	2-tier, no riser	60"	13 1/4"	33 1/4"	50	166#	\$1122
<b>SR6046R</b>	2-tier, riser	60"	13 1/4"	46 1/4"	50	182#	\$1398
<b>SR2446R</b>	Corner sorter	24"	13 1/4"	46 1/4"	20	85#	\$846
<b>DR2</b>	Dump rails	15"	3/4"	6"		5#	\$119
<b>4904K</b>	48W task light (used for 60" sorters) – 48"W x 4"D x 2"H					10#	\$276
<b>3704K</b>	36W task light (used for 48" sorters) – 36"W x 4"D x 2"H					8#	\$223
<b>90145</b>	Label holders (set of 20) – Adhesive					1 oz.	\$27
<b>911785</b>	Label holders (set of 20) – Magnetic					3 oz.	\$43
<b>922VEL</b>	Label holders (set of 20) – Velcro					3 oz.	\$53

**MAILFLOW-TO-GO (NOTE: Not on GSA)****Mailflow-To-Go Cabinets**

These reconfigurable Mailflow-to-Go cabinets are a perfect addition to any mail or storage room. Their clever design uses one standard cabinet with any of three internal configurations creating a mail sort station, literature organizer or a standard shelving unit for bulk storage.

- Cabinet measures 42"W x 80"H x 16"D.
- Weight capacity 50 lbs. per shelf.
- Three unique configurations (Mail, Literature or Bulk Storage).
- Ships in 3 days or less.
- Easy to assemble, no hardware required.
- Available in Pebble Gray only.

**SRT4280A****SRT4280B****SRT4280C**

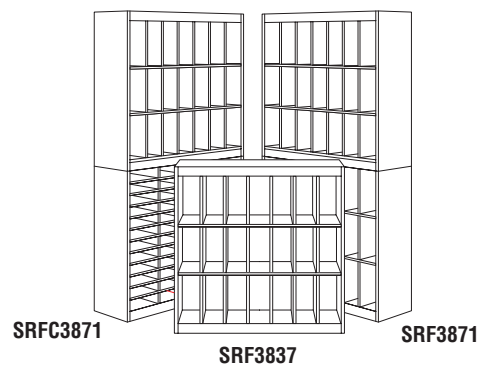
(Note: Reference Shelf 25"D)

Model No.	Configuration	Doors	No. of Shelves/Pockets	Pocket Dimensions	Wt.	List Price
<b>SRT4280A</b>	Bulk Storage	N	5 adjustable shelves		154#	\$1371
<b>SRT4280B</b>	Literature/Forms	N	72 pockets	10 1/8"W x 12 3/4"D x 2 3/4"H	234#	\$2168
<b>SRT4280C</b>	Mail	N	30 pockets	13 1/8"W x 12 3/4"D x 2 1/8"H	202#	\$1963
<b>SRTD4280A</b>	Bulk Storage	Y	5 adjustable shelves		204#	\$1942
<b>SRTD4280B</b>	Literature/Forms	Y	72 pockets	10 1/8"W x 12 3/4"D x 2 3/4"H	284#	\$2627

**VertiPocket Sorters**

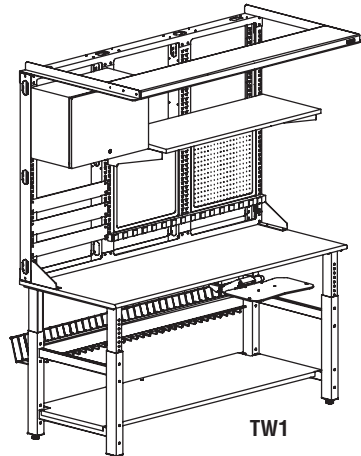
- All models measure 37 3/4"W x 12 3/4"D.
- Vertical pockets measure 4 7/8"W x 10 1/4"H x 12 1/2"D.
- Horizontal pockets in Combination Sorter measure 8 3/4"W x 2 1/4"H x 12 1/2"D.
- Steel frame with corrugated dividers and recycled paperboard back.
- Weight capacity of 5 lbs. per opening.
- Ready to assemble.

**Standard Finishes:** Pebble Gray **only**.

**SRFC3871****SRF3837****SRF3871**

Model No.	Description	Height	No. of Pockets	Wt.	List Price
<b>SRF3837</b>	VertiPocket	37"	21	40#	\$384
<b>SRF3871</b>	VertiPocket	71"	42	80#	\$678
<b>SRFC3871</b>	Combination	71"	48 horizontal, 21 vertical	88#	\$754

## TECHWORKS TYPICAL



TW1

QTY.	DESCRIPTION	MODEL NO.	LIST PRICE EACH
1	72"W X 30"D Table w/Lam.	<b>728H</b>	\$1572
1	72"W x 48"H Upper Frame	<b>713</b>	\$878
1	48"W x 18"D Lam. Fixed Shelf	<b>717H</b>	\$619
1	Retractable Keyboard/Mouse Platform	<b>19503ATW</b>	\$545
1	Full Base Shelf 72"W x 23"D	<b>723</b>	\$378
3	24"W x 3"H Part Bin Panels	<b>758</b>	\$82
1	24"W Lockable Storage Bin	<b>763</b>	\$771
1	48"W 15amp Power Strip	<b>767</b>	\$320
1	72"W Task Light (48"H Frames)	<b>793</b>	\$822
1	24"W x 24"H Pegboard	<b>752</b>	\$232
1	72"W Wire Cable Basket	<b>779</b>	\$415
1	24"W x 24"H Whiteboard	<b>744</b>	\$232
<b>Typical TW1 Total List Price</b>			<b>\$7030</b>

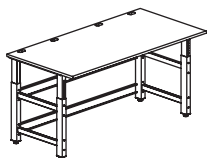
## BENCHES

- Available in 48", 60" and 72" widths, and 30" and 36" depths.
- Bullnose T-mold front edge with 3mm PVC on remaining sides. Black only.
- Tables are height adjustable from 26" to 38" (29" to 41" with caster kit).
- Table base accommodates a full or partial base shelf.
- Standard 3" cable management grommets on worksurface for ease of routing cables.
- 45 lb. density particle board with TFL (Thermally-Fused Laminate 1" thick), HPL (High Pressure Laminate 1 1/8" thick) or ESD (Electro-Static Discharge 1 1/8" thick), including grounding wire.

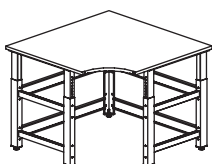
- Now available in 1 3/4" butcher block surface with bullnozed front edge.
- Supports 1000 lbs. and has welded support foot and leveler.
- Worksurfaces attach with metal-to-metal fasteners.
- Ships knocked down.
- **Standard paint finishes:** DW5 Graphite Textured, DV5 Black Textured

*Let Our Professional Design Staff Help You with TechWorks Space Planning.  
Call or visit our web site at [www.mayline.com](http://www.mayline.com)*

Model No.	Description	Wt.	List Price
<b>700</b>	48"W x 30"D Adjustable Table w/low pressure laminate surface	139#	\$1288
<b>700H</b>	48"W x 30"D Adjustable Table w/high pressure laminate surface	139#	\$1422
<b>700E</b>	48"W x 30"D Adjustable Table w/ ESD laminate	139#	\$1739
<b>700B</b>	48"W x 30"D Adjustable Table w/ 1 3/4" butcher block surface	162#	\$1633
<b>701</b>	48"W x 36"D Adjustable Table w/low pressure laminate surface	150#	\$1378
<b>701H</b>	48"W x 36"D Adjustable Table w/high pressure laminate surface	150#	\$1482
<b>701E</b>	48"W x 36"D Adjustable Table w/ESD laminate	150#	\$1903
<b>701B</b>	48"W x 36"D Adjustable Table w/ 1 3/4" butcher block surface	183#	\$1677
<b>727</b>	60"W x 30"D Adjustable Table w/low pressure laminate surface	155#	\$1333
<b>727H</b>	60"W x 30"D Adjustable Table w/high pressure laminate surface	155#	\$1467
<b>727E</b>	60"W x 30"D Adjustable Table w/ESD surface	155#	\$2288
<b>727B</b>	60"W x 30"D Adjustable Table w/ 1 3/4" butcher block surface	187#	\$2104
<b>702</b>	60"W x 36"D Adjustable Table w/low pressure laminate surface	170#	\$1422
<b>702H</b>	60"W x 36"D Adjustable Table w/high pressure laminate surface	170#	\$1529
<b>702E</b>	60"W x 36"D Adjustable Table w/ESD Surface	170#	\$2320
<b>702B</b>	60"W x 36"D Adjustable Table w/ 1 3/4" butcher block surface	207#	\$2128
<b>728</b>	72"W x 30"D Adjustable Table w/low pressure laminate surface	175#	\$1436
<b>728H</b>	72"W x 30"D Adjustable Table w/high pressure laminate surface	175#	\$1572
<b>728E</b>	72"W x 30"D Adjustable Table w/ESD surface	175#	\$2308
<b>728B</b>	72"W x 30"D Adjustable Table w/ 1 3/4" butcher block surface	215#	\$2150
<b>703</b>	72"W x 36"D Adjustable Table w/low pressure laminate surface	185#	\$1529
<b>703H</b>	72"W x 36"D Adjustable Table w/high pressure laminate surface	185#	\$1662
<b>703E</b>	72"W x 36"D Adjustable Table w/ESD surface	185#	\$2335
<b>703B</b>	72"W x 36"D Adjustable Table w/ 1 3/4" butcher block surface	236#	\$2172
<b>729</b>	48"W x 30"D Adjustable Corner Table w/low pressure laminate surface	180#	\$1588
<b>729H</b>	48"W x 30"D Adjustable Corner Table w/high pressure laminate surface	180#	\$1811
<b>729E</b>	48"W x 30"D Adjustable Corner Table w/ESD surface	180#	\$2172
<b>729B</b>	48"W x 30"D Adjustable Corner Table w/ 1 3/4" butcher block surface	220#	\$3295
<b>704</b>	48"W x 36"D Adjustable Corner Table w/low pressure laminate surface	185#	\$1677
<b>704H</b>	48"W x 36"D Adjustable Corner Table w/high pressure laminate surface	185#	\$1811
<b>704E</b>	48"W x 36"D Adjustable Corner Table w/ESD surface	185#	\$2308
<b>704B</b>	48"W x 36"D Adjustable Corner Table w/ 1 3/4" butcher block surface	230#	\$3386



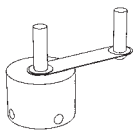
703



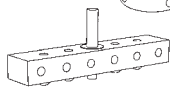
704

## ESD ACCESSORIES

Quad  
Grounding  
Jack  
788



- Must be wired in compliance with local electrical codes
- Grounding bar provides common grounding point for managing multiple ground wires
- Wrist strap must be used with Grounding Jack for proper grounding
- Grounding Jack accommodates 4 standard banana jacks (on the end of wrist straps)

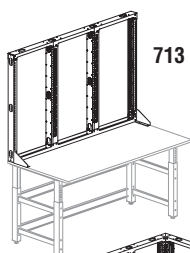


Grounding Bar 789

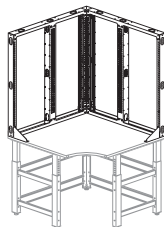
Model No.	Description	Wt.	List Price
787	ESD Wrist strap	2#	\$79
788	ESD Grounding Jack	3#	\$85
789	ESD Grounding Bar	.5#	\$147

## ORGANIZER FRAMES

- Attaches to top of Techworks Tables.
- Available in 24", 36" and 48" Heights; 48", 60", and 72" Widths; and 48" corner assemblies.
- Uprights are single slotted in 1" increments for maximum height adjustability of components.
- Organizer frames incorporate both horizontal and vertical integrated cable management options without requiring external cable channels.
- 14 gauge cold rolled steel construction, unit supports a maximum load rating of 400 lbs. (evenly balanced, cantilevered on one side).
- Mechanically fastened to worksurfaces.
- Ships knocked down.
- **Standard paint finishes:** DX5 Chameleon Textured, DU5 Autumn White Textured, DW5 Graphite Textured, DV5 Black Textured



713



716

Model No.	Description	Wt.	List Price
705	48"W x 24"H Upper Frame	31#	\$611
706	48"W x 36"H Upper Frame	35#	\$659
707	48"W x 48"H Upper Frame	39#	\$749
708	60"W x 24"H Upper Frame	42#	\$673
709	60"W x 36"H Upper Frame	45#	\$743
710	60"W x 48"H Upper Frame	51#	\$800
711	72"W x 24"H Upper Frame	53#	\$743
712	72"W x 36"H Upper Frame	59#	\$811
713	72"W x 48"H Upper Frame	67#	\$878
714*	48"W x 24"H Upper Corner Frame	65#	\$1105
715*	48"W x 36"H Upper Corner Frame	72#	\$1148
716*	48"W x 48"H Upper Corner Frame	80#	\$1258

\* Inner frame section of corner unit cannot accept pegboards or whiteboards.

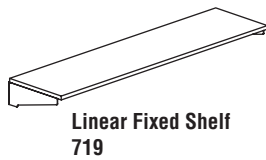
## SHELVES

- Widths - 24", 30", 48", 60" and 72", Depth - 18".
- Cantilevered shelves are height adjustable on one-inch increments and relocate without the use of tools for ease of adaptability.
- Tilt shelves have full-length raised safety edge to prevent forward slippage of stored equipment. Shelves are positioned at 0°, 5° or 10° angles.
- Weight capacity of fixed and tilt shelf is 200 lbs. Corner shelf is 250 lbs.
- **Standard paint finishes:** DX5 Chameleon Textured, DU5 Autumn White Textured, DW5 Graphite Textured, DV5 Black Textured

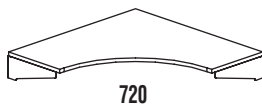
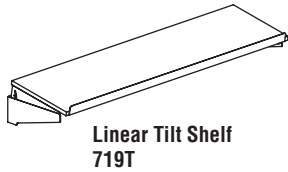
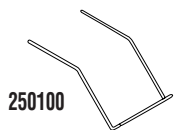
Model No.	Description	Wt.	List Price
797	24"W x 18"D Low Pressure Laminate Fixed Shelf	29#	\$494
797H	24"W x 18"D High Pressure Laminate Fixed Shelf	29#	\$561
797E	24"W x 18"D ESD Fixed Shelf	29#	\$629
797T	24"W x 18"D Low Pressure Laminate Tilt Shelf	32#	\$589
797TH	24"W x 18"D High Pressure Laminate Tilt Shelf	32#	\$657
797TE	24"W x 18"D ESD Tilt Shelf	32#	\$726
798	30"W x 18"D Low Pressure Laminate Fixed Shelf	37#	\$512
798H	30"W x 18"D High Pressure Laminate Fixed Shelf	37#	\$580
798E	30"W x 18"D ESD Fixed Shelf	37#	\$648
798T	30"W x 18"D Low Pressure Laminate Tilt Shelf	40#	\$629
798TH	30"W x 18"D High Pressure Laminate Tilt Shelf	40#	\$696
798TE	30"W x 18"D ESD Tilt Shelf	40#	\$767
717	48"W x 18"D Low Pressure Laminate Fixed Shelf	45#	\$551
717H	48"W x 18"D High Pressure Laminate Fixed Shelf	45#	\$619
717E	48"W x 18"D ESD Fixed Shelf	45#	\$721
717T	48"W x 18"D Low Pressure Laminate Tilt Shelf	47#	\$689
717TH	48"W x 18"D High Pressure Laminate Tilt Shelf	47#	\$758
717TE	48"W x 18"D ESD Tilt Shelf	47#	\$867

Shelves continued on next page.



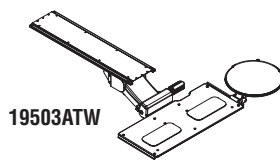
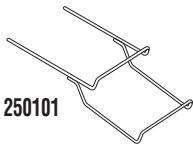
**SHELVES (CONTINUED)**

Model No.	Description	Wt.	List Price
718	60"W x 18"D Low Pressure Laminate Fixed Shelf	53#	\$619
718H	60"W x 18"D High Pressure Laminate Fixed Shelf	55#	\$689
718E	60"W x 18"D ESD Fixed Shelf	55#	\$822
718T	60"W x 18"D Low Pressure Laminate Tilt Shelf	56#	\$758
718TH	60"W x 18"D High Pressure Laminate Tilt Shelf	56#	\$822
718TE	60"W x 18"D ESD Tilt Shelf	56#	\$938
719	72"W x 18"D Low Pressure Laminate Fixed Shelf	63#	\$689
719H	72"W x 18"D High Pressure Laminate Fixed Shelf	61#	\$758
719E	72"W x 18"D ESD Fixed Shelf	61#	\$867
719T	72"W x 18"D Low Pressure Laminate Tilt Shelf	66#	\$822
719TH	72"W x 18"D High Pressure Laminate Tilt Shelf	66#	\$893
719TE	72"W x 18"D ESD Tilt Shelf	66#	\$1048
720	48"W x 18"D Low Pressure Laminate Corner Shelf	85#	\$963
720H	48"W x 18"D High Pressure Laminate Corner Shelf	85#	\$1031
720E	48"W x 18"D ESD Corner Shelf	85#	\$1157

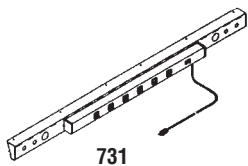
**KEYBOARD OPTIONS**

Model No.	Description	Wt.	List Price
19503ATW*	Combination keyboard/mouse platform 19"W x 8 1/4"D, 9"Dia. mouse platform	15#	\$545
250100	Wire keyboard holder. Chrome finish.	3#	\$119
250101	Dual wire keyboard holder. Chrome finish.	4#	\$202

\*Available in Black Only.

**SERVICE BARS**

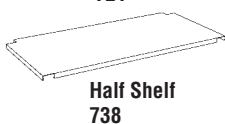
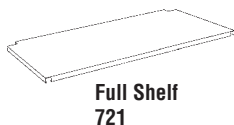
- Attached with wood screws to the underside of worksurfaces or shelves.
- Most include power strip.
- Includes four openings for air, gas, and vacuum fixtures.
- Includes two cable pass through holes.



Model No.	Description	Wt.	List Price
730	Service Bar 48" 15amp power strip, 8 outlets, 15' cord	8#	\$482
731	Service Bar 60" 15amp power strip, 12 outlets, 15' cord	12#	\$538
732	Service Bar 72" 15amp power strip, 16 outlets, 15' cord	14#	\$618
737	Service Bar Corner, no power strip	3#	\$88

**TABLE BASE SHELVES**

- Shelves attach to the lower or upper cross-bars on table base.
- Shelves are positional in 2 pre-set locations on base.
- 14 gauge CRS.
- Weight capacity of Full base or Partial base shelf is 400 lbs. each.



Model No.	Description	Wt.	List Price
721	Full base shelf 48"W x 23"D	33#	\$298
722	Full base shelf 60"W x 23"D	39#	\$322
723	Full base shelf 72"W x 23"D	47#	\$378
738	Partial Base shelf 48"W x 12"D	16#	\$194
739	Partial Base shelf 60"W x 12"D	19#	\$238
740	Partial Base shelf 72"W x 12"D	22#	\$269



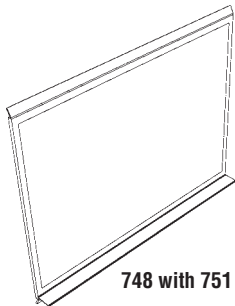
**CASTER KITS**

- Casters will add 3" of height to bench
- Kit includes (2) casters without locking mechanism and (2) locking casters which lock the wheel
- Tread is hard rubber
- Load capacity of each caster is 250 lbs.

Model No.	Description	Wt.	List Price
<b>742</b>	Caster Kit (5) for corner units	9#	\$193
<b>350221</b>	Caster Kit (4)	7#	\$156

**WHITEBOARDS**

- Attaches between frame uprights
- Creates a finished panel appearance from front.
- Allows hook-on components to be mounted in front of whiteboard.
- Cannot be used on middle sections of corner organizer frames.

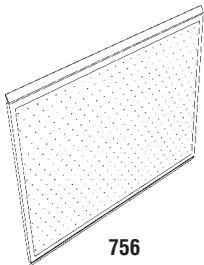


748 with 751

Model No.	Description	Wt.	List Price
<b>744</b>	24"W x 24"H whiteboard	6#	\$232
<b>745</b>	24"W x 36"H whiteboard	7#	\$273
<b>746</b>	24"W x 48"H whiteboard	8#	\$330
<b>747</b>	30"W x 24"H whiteboard	7#	\$250
<b>748</b>	30"W x 36"H whiteboard	8#	\$292
<b>749</b>	30"W x 48"H whiteboard	9#	\$342
<b>750</b>	24"W Marker Tray for whiteboards	1#	\$62
<b>751</b>	30"W Marker Tray for whiteboards	1#	\$68

**PEG BOARDS**

- Attaches between frame uprights
- Creates a finished panel appearance from front.
- Allows hook-on components to be mounted in front of peg board.
- Cannot be used on middle sections of corner organizer frames.

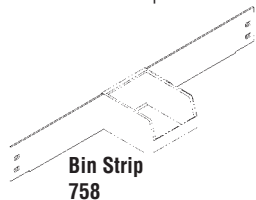


756

Model No.	Description	Wt.	List Price
<b>752</b>	24"W x 24"H peg board	6#	\$232
<b>753</b>	24"W x 36"H peg board	7#	\$273
<b>754</b>	24"W x 48"H peg board	8#	\$317
<b>755</b>	30"W x 24"H peg board	7#	\$250
<b>756</b>	30"W x 36"H peg board	8#	\$292
<b>757</b>	30"W x 48"H peg board	9#	\$325

**PART BIN PANELS**

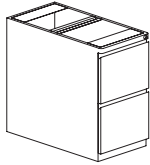
- 48", 60", 72"W organizer frame sizes accept multiple bin strips.
- Accepts optional part bins from multiple vendors. (contact customer service for compatibility)
- Hook-on components cannot be placed in front of bin strips.

Bin Strip  
758

Model No.	Description	Wt.	List Price
<b>758</b>	24"W x 3"H Part Bin Panels	3#	\$82
<b>759</b>	30"W x 3"H Part Bin Panels	4#	\$94

## FREESTANDING STORAGE

- Full width with "J" style pulls.
- Locks standard.
- To key pedestals alike, purchase optional keyed alike tumblers.
- Full extension ball bearing slides on all drawers.
- Leveling glides have 5/8" of adjustability.
- Unique recessed base design allows casters to be added without adding additional height to the pedestal.

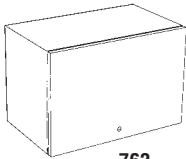


C8817F

Model No.	Dimensions	Wt.	List Price
<b>C8817B</b>	15"W x 17 1/2"D x 28"H - <b>B/B/F</b>	50#	\$570
<b>C8817F</b>	15"W x 17 1/2"D x 28"H - <b>F/F</b>	48#	\$570
<b>C8817M</b>	17"D - Mobile Kit	28#	\$79

## OVERHEAD STORAGE

- Door swings up and over the cabinet to optimize interior space.
- Door lock is standard.
- 12"D x 16"H



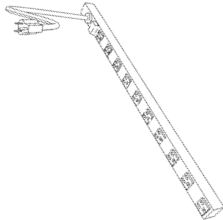
763

### LOCKING STORAGE

Model No.	Description	Wt.	List Price
<b>763</b>	24"W x 12"D x 16"H lockable storage bin	37#	\$771
<b>764</b>	30"W x 12"D x 16"H lockable storage bin	50#	\$966

## POWER STRIPS

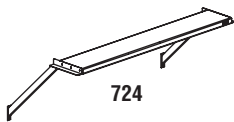
- Mounts horizontally to organizer frame.
- Mounting hardware included



Model No.	Description	Wt.	List Price
<b>765</b>	24"W 15amp power strip, 8 outlets, 15' cord	3#	\$282
<b>767</b>	48"W 15amp power strip, 16 outlets, 15' cord	4#	\$320
<b>768</b>	60"W 15amp power strip, 20 outlets, 15' cord	5#	\$387
<b>769</b>	72"W 15amp power strip, 24 outlets, 15' cord	6#	\$403

**Note:** 48" wide power strips do not fit on corner organizer frames.

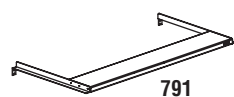
## LIGHTS



724

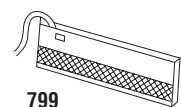
- Allow 15" of clearance above frame for height adjustable light
- Overhead lights include an on/off switch.
- Adjustable height overhead light may interfere with the placement of components at the uppermost mounting position.

- Overhead Lights include a 9 foot power cord
- UL and CSA approved

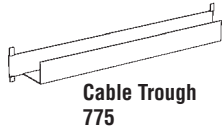


791

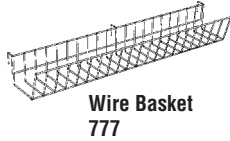
Model No.	Description	Wt.	List Price
<b>724</b>	48"W 4 bulb ballast adjustable height overhead light	36#	\$733
<b>725</b>	60"W 4 bulb ballast adjustable height overhead light	41#	\$799
<b>726</b>	72"W 4 bulb ballast adjustable height overhead light	47#	\$822
<b>791</b>	48"W 4 bulb magnetic ballast fixed height overhead light	36#	\$733
<b>792</b>	60"W 4 bulb magnetic ballast fixed height overhead light	41#	\$799
<b>793</b>	72"W 4 bulb magnetic ballast fixed height overhead light	47#	\$822
<b>799</b>	18"W x 4 1/2"D x 1 1/4"H under shelf task light	8#	\$172



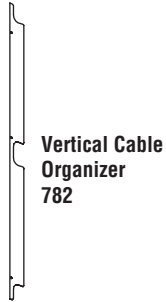
799

**CABLE MANAGEMENT****Cable Trough (Mounts between frame uprights)**

Model No.	Description	Wt.	List Price
775	24"W Horizontal Cable Management	2#	\$73
776	30"W Horizontal Cable Management	2.5#	\$78

**Cable Basket (Mounts to table base)**

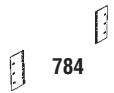
777	48"W Horizontal Cable Management, Black	4#	\$282
778	60"W Horizontal Cable Management, Black	7#	\$340
779	72"W Horizontal Cable Management, Black	8#	\$415

**Vertical Cable Organizer (Mounts to interior of frame uprights)**

780	24"H section of Vertical Cable Management	2#	\$123
781	36"H section of Vertical Cable Management	2.5#	\$165
782	48"H section of Vertical Cable Management	3#	\$222

**RACK MOUNT ADAPTERS**

- Provides 19" EIA standard rack mounting between uprights.
- Standard with cage nuts for mounting equipment.



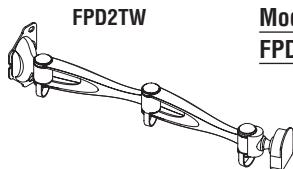
Model No.	Description	Wt.	List Price
783	3 1/2" rack rail adapter set (2U) 24" spacing	2#	\$123
784	7" rack rail adapter set (4U) 24" spacing	3#	\$222
785	3 1/2" rack rail adapter set (2U) 30" spacing for 60"W frames	2#	\$147
786	7" rack rail adapter set (4U) 30" spacing for 60"W frames	3#	\$240

**CONNECTOR KITS (to connect side-by-side stations together)**

Model No.	Description	Wt.	List Price
790	Connector kits	1#	\$87

**FLAT PANEL MONITOR SUPPORT BRACKET**

- Compatible with VESA compliant monitors only.
- 25 lb. capacity.



Model No.	Description	Wt.	List Price
FPD2TW	Monitor Support – Two Arms	4#	\$175

## MAYTRIX LAN RACKING SYSTEM

Modular, flexible, yet rugged support system for organizing local area network, communications and monitoring equipment.

**Frames:** Heavy-duty 1" x 2" 11-gauge welded steel, slotted on both sides in 1" increments. Frames can be bolted together as needs expand. 800 lb. maximum load per frame. **Note:** Frame heights are for frame only. Must add 3" for foot and 6" for caster and foot.

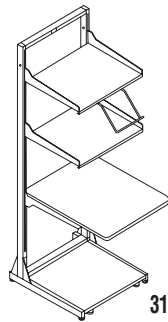
**Shelves:** 14-gauge steel with integral attachment brackets. Available either horizontal or with 13° tilt. Floor shelf for CPU requires either glide or caster kit. 300 lb. maximum load per shelf.

**Work Surface:** 1" thermally-fused Fog Gray low-pressure laminate with T-mold edge standard. Also available in 1 1/8" high-pressure laminate or ESD laminate with T-mold edge (does not include grounding wire). Support brackets included. Additional front support leg suggested for loads over 150#. Support leg included with 36"-deep work surfaces.

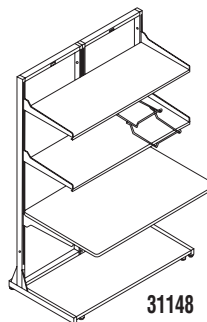
**Keyboard supports:** Available in four variations — single wire holder or double wire holder for mounting under steel shelves; retractable platform or keyboard drawer for mounting under work surface.

Mayline offers three preconfigured Maytrix LAN stations to meet a variety of systems needs. **Each ships in a single carton.**

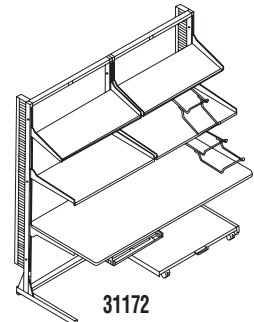
**Color:** Gray paint finish, with Fog Gray low-pressure laminate surfaces only for preconfigured units.



31124



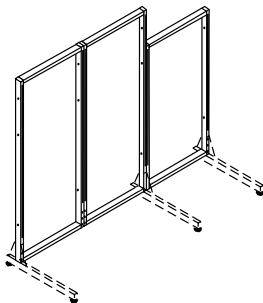
31148



31172

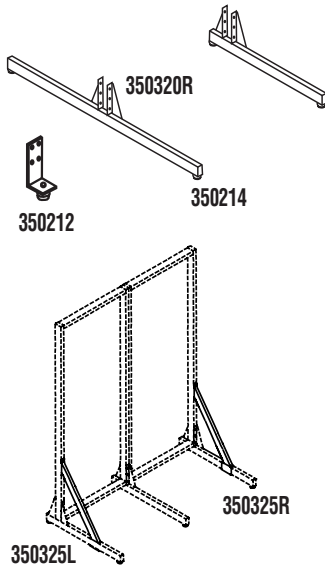
Model No.	Description	Wt.	List Price
31124	<b>24" Basic Maytrix</b> (1) 24" x 72" frame; (2) single-sided legs; (2) 24" x 16" horiz. shelves; (1) single wire keyboard holder; (1) 24" x 30" work surface; (1) 18" x 21" floor shelf; (1) floor shelf glide kit.	119#	\$2251
31148	<b>48" Maytrix Console</b> (2) 24" x 72" frames; (2) single-sided legs; (1) center support foot; (2) 48" x 16" horiz. shelves; (1) double wire keyboard holder; (1) 48" x 30" work surface; (1) 42" x 21" floor shelf; (1) floor shelf glide kit.	211#	\$3815
31172	<b>72" Deluxe Maytrix</b> (2) 36" x 72" frames; (2) single-sided legs; (1) center support foot; (2) 36" x 16" tilt shelves; (2) 36" x 16" horiz. shelves; (2) double wire keyboard holders; (1) 72" x 30" work surface; (1) under surface keyboard drawer; (1) 30" x 21" floor shelf; (1) floor shelf caster kit; (2) 6 ft. slotted cable management channels.	270#	\$5643

*Let Our Professional Design Staff Help You with Maytrix Space Planning.  
Call or visit our web site at [www.mayline.com](http://www.mayline.com)*



Model No.	Description	Wt.	List Price
<b>Maytrix Steel Frames</b>			
3202460	Frame, 24"W x 60"H	36#	\$545
3202472	Frame, 24"W x 72"H	40#	\$585
3202484	Frame, 24"W x 84"H	44#	\$642
3203060	Frame, 30"W x 60"H	39#	\$560
3203072	Frame, 30"W x 72"H	43#	\$596
3203084	Frame, 30"W x 84"H	48#	\$656
3203660	Frame, 36"W x 60"H	40#	\$580
3203672	Frame, 36"W x 72"H	47#	\$607
3203684	Frame, 36"W x 84"H	48#	\$666

## MAYTRIX LAN RACKING SYSTEM



Model No.	Description	Wt.	List Price
<b>Maytrix Leg Options</b>			
<b>350212</b>	Foot, center support	2#	\$83
<b>350213R</b>	Leg, single right (for use with 30"-deep work surfaces)	7#	\$272
<b>350213L</b>	Leg, single left (for use with 30"-deep work surfaces)	7#	\$272
<b>350320R</b>	Leg, single right (for use with 36"D work surfaces)	7#	\$272
<b>350320L</b>	Leg, single left (for use with 36"D work surfaces)	7#	\$272
<b>350214</b>	Leg, double-sided (universal - fits L or R)	11#	\$338
<b>350215</b>	Casters for frame (pair-1 lock, 1 non-lock)	4#	\$138
<b>350325R</b>	Frame brace, right	4#	\$134
<b>350325L</b>	Frame brace, left	4#	\$134

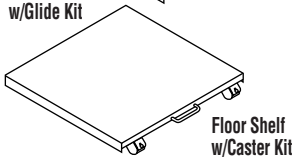
Model No.	Description	Wt.	List Price	Model No.	Description	Wt.	List Price
<b>Maytrix Horizontal Mounting Shelf, steel (includes mounting brackets)</b>							
<b>3302416</b>	24"W x 16"D	16#	\$194	<b>3302420</b>	24"W x 20"D	16#	\$210
<b>3303016</b>	30"W x 16"D	19#	\$234	<b>3303020</b>	30"W x 20"D	16#	\$261
<b>3303616</b>	36"W x 16"D	20#	\$302	<b>3303620</b>	36"W x 20"D	24#	\$318
<b>3304816</b>	48"W x 16"D	27#	\$438	<b>3304820</b>	48"W x 20"D	27#	\$455
<b>3305416</b>	54"W x 16"D	27#	\$463	<b>3305420</b>	54"W x 20"D	27#	\$483
<b>3306016</b>	60"W x 16"D	32#	\$491	<b>3306020</b>	60"W x 20"D	38#	\$517
<b>350318</b>	Replacement center mounting bracket (48", 60" only)						\$94

**Maytrix 13° Tilt Shelf, steel (includes mounting brackets)**

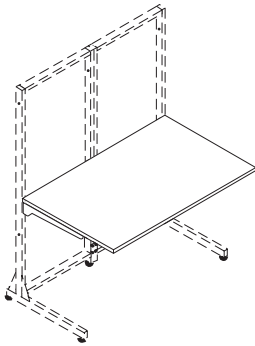
<b>3312416</b>	24"W x 16"D	16#	\$292	<b>3312420</b>	24"W x 20"D	19#	\$304
<b>3313016</b>	30"W x 16"D	19#	\$343	<b>3313020</b>	30"W x 20"D	19#	\$357
<b>3313616</b>	36"W x 16"D	21#	\$386	<b>3313620</b>	36"W x 20"D	19#	\$401

**Maytrix Floor Shelf, steel**

		Wt.	List Price
<b>3322421</b>	Floor shelf, 18"W x 21"D, fits 24"W frame	14#	\$328
<b>3323021</b>	Floor shelf, 24"W x 21"D, fits 30"W frame	16#	\$343
<b>3323621</b>	Floor shelf, 30"W x 21"D, fits 36"W frame	19#	\$349
<b>3324821</b>	Floor shelf, 42"W x 21"D, fits 48"W frame	26#	\$374
<b>3326021</b>	Floor shelf, 54"W x 21"D, fits 60"W frame	30#	\$403
<b>350218</b>	Floor shelf caster kit (2 lock, 2 non-lock)	2#	\$45
<b>350216</b>	Floor shelf glide kit (set of 4)	1#	\$52

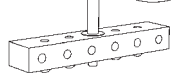
Floor Shelf  
w/Glide KitFloor Shelf  
w/Caster Kit

## MAYTRIX LAN RACKING SYSTEM



Description	Wt.	TFL Model No.	TFL List Price	HPL List Price	ESD List Price
<b>Maytrix Desk Work Surface</b> (includes mounting brackets) (36"D surfaces include adjustable front support legs)					
				"L" Suffix	"LE" Suffix
Work surface, 24"W x 30"D	24#	<b>3402430</b>	\$466	\$607	\$861
Work surface, 30"W x 30"D	30#	<b>3403030</b>	\$528	\$691	\$950
Work surface, 36"W x 30"D	34#	<b>3403630</b>	\$585	\$758	\$1026
Work surface, 48"W x 30"D	45#	<b>3404830</b>	\$699	\$923	\$1206
Work surface, 54"W x 30"D	45#	<b>3405430</b>	\$799	\$1043	\$1373
Work surface, 60"W x 30"D	56#	<b>3406030</b>	\$911	\$1158	\$1465
Work surface, 72"W x 30"D	78#	<b>3407230</b>	\$993	\$1258	\$1579
Work surface, 90"W x 30"D	96#	<b>3409030</b>	\$1258	\$1618	\$1973
Work surface, 24"W x 36"D	29#	<b>3402436</b>	\$630	\$717	\$941
Work surface, 30"W x 36"D	33#	<b>3403036</b>	\$673	\$920	\$1026
Work surface, 36"W x 36"D	42#	<b>3403636</b>	\$747	\$893	\$1178
Work surface, 48"W x 36"D	64#	<b>3404836</b>	\$837	\$1084	\$1435
Work surface, 54"W x 36"D	66#	<b>3405436</b>	\$1045	\$1224	\$1613
Work surface, 60"W x 36"D	67#	<b>3406036</b>	\$1047	\$1361	\$1795
Work surface, 72"W x 36"D	75#	<b>3407236</b>	\$1184	\$1484	\$1795
Work surface, 90"W x 36"D	90#	<b>3409036</b>	\$1464	\$1901	\$2514

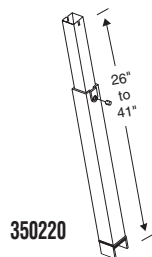
## ESD ACCESSORIES



Grounding Bar 789

- Must be wired in compliance with local electrical codes
- Grounding bar provides common grounding point for managing multiple ground wires
- Wrist strap must be used with Grounding Jack for proper grounding
- Grounding Jack accommodates 4 standard banana jacks (on the end of wrist straps)

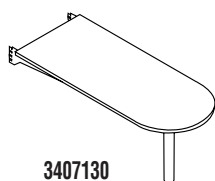
Model No.	Description	Wt.	List Price
<b>787</b>	ESD Wrist strap	2#	\$79
<b>788</b>	ESD Grounding Jack	3#	\$85
<b>789</b>	ESD Grounding Bar	.5#	\$147



350220

Description	Wt.	Model No.	List Price
Adjustable front support leg - all work surfaces	4#	<b>350220</b>	\$175
Replacement top bracket (right) - 30"D and 36"D work surfaces	4#	<b>350321R</b>	\$94
Replacement top bracket (left) - 30"D and 36"D work surfaces	4#	<b>350321L</b>	\$94
Replacement top bracket (right) - all 24"D work surfaces	4#	<b>350327R</b>	\$93
Replacement top bracket (left) - all 24"D work surfaces	4#	<b>350327L</b>	\$93

**Note:** Adjustable front support leg recommended for all corner and 36" deep work surfaces.



3407130

Description	Wt.	TFL Model No.	TFL List Price	HPL Model No.	HPL List Price	ESD Model No.	ESD List Price
<b>Maytrix Peninsula</b> (includes mounting brackets - hooks onto Maytrix™ frame)							
71"L x 30"W w/T-mold edge	83#	<b>3407130</b>	\$1000	<b>3407130L</b>	\$1277	<b>3407130LE</b>	\$1450

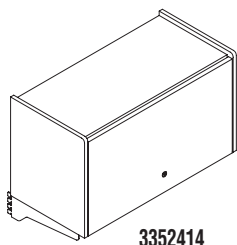
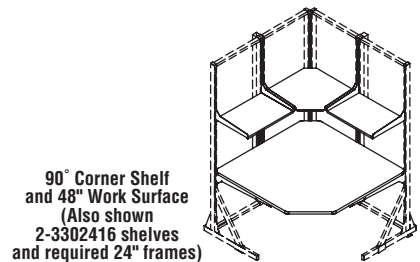
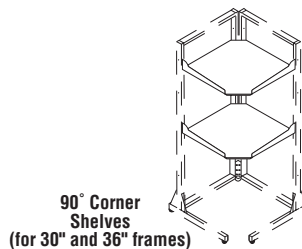
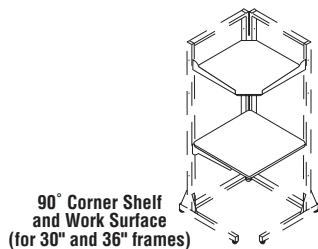
**Note:** Post-formed edge not available on peninsula surface. Surface height must be set nominally at 29".

Let Our Professional Design Staff Help You with Maytrix Space Planning. Call or visit our web site at [www.mayline.com](http://www.mayline.com)

## MAYTRIX LAN RACKING SYSTEM

Model No.	Description	Wt.	List Price
<b>Maytrix Corner Components - Shelves</b>			
<b>3332416</b>	90° Steel corner shelf, 24"W x 16"D (requires two 24" frames)	20#	\$307
<b>3332420</b>	90° Steel corner shelf, 24"W x 20"D (requires two 24" frames)	22#	\$314
<b>3333016</b>	90° Steel corner shelf, 30"W x 16"D (requires two 30" frames)	22#	\$318
<b>3333616</b>	90° Steel corner shelf, 36"W x 16"D (requires two 36" frames)	25#	\$331
<b>3333020</b>	90° Steel corner shelf, 30"W x 20"D (requires two 30" frames)	25#	\$331
<b>3333620</b>	90° Steel corner shelf, 36"W x 20"D (requires two 36" frames)	28#	\$342

Description	Wt.	TFL Model No.	TFL List Price	HPL Model No.	HPL List Price	ESD Model No.	ESD List Price
<b>Maytrix Corner Components - Work Surfaces</b>							
90° Corner work surface, 30"W x 30"D (requires two 30" frames; 350213L/350213R legs recommended)							
	30#	<b>3403030</b>	\$528	<b>3403030L</b>	\$691	<b>3403030LE</b>	\$950
90° Corner work surface, 36"W x 36"D (requires two 36" frames; 350213L/350213R legs recommended)							
	42#	<b>3403636</b>	\$747	<b>3403636L</b>	\$893	<b>3403636LE</b>	\$1178
90° Corner work surface, 48"W x 30"D (requires four 24" frames)							
	42#	<b>3434830</b>	\$1020	<b>3434830L</b>	\$1239	<b>3434830LE</b>	\$1450
90° Corner work surface, 48"W x 36"D (requires four 24" frames)							
	70#	<b>3434836</b>	\$1132	<b>3434836L</b>	\$1355	<b>3434836LE</b>	\$1540
Corner connector kit (foot and hardware required for 90° corner configuration)							
	2#	<b>350217</b>	\$137	<b>350217</b>	\$137	<b>350217</b>	\$137



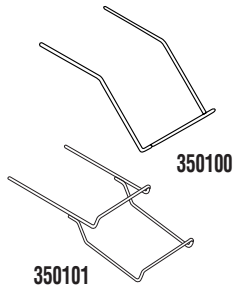
Description	Wt.	TFL Model No.	TFL List Price	HPL Model No.	HPL List Price
<b>Maytrix Media Storage Bin</b> (includes mounting brackets and lock)					
24"W Storage bin (internal dimensions: 13"H x 21 3/4"W x 13 1/4"D)					
	40#	<b>3352414</b>	\$947	<b>3352414L</b>	\$1002
30"W Storage bin (internal dimensions: 13"H x 27 3/4"W x 13 1/4"D)					
	45#	<b>3353014</b>	\$963	<b>3353014L</b>	\$1019
36"W Storage bin (internal dimensions: 13"H x 33 3/4"W x 13 1/4"D)					
	51#	<b>3353614</b>	\$991	<b>3353614L</b>	\$1061

**Maytrix Accessories**

Model No.	Description	Wt.	List Price
<b>350181</b>	72"L, 24 outlet power strip, 15 amp, 15' cord	4.5#	\$344
<b>350173</b>	Power strip, 4 ft. (10 outlets) with surge suppressor, 15 amp - 450 joules	5#	\$384

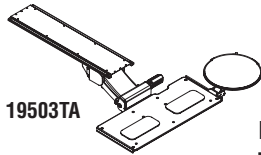


## MAYTRIX LAN RACKING SYSTEM



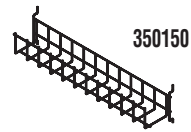
Model No.	Description	Wt.	List Price
<b>Maytrix Keyboard Accessories</b>			
350100	Wire keyboard holder, single unit. Fits 16"D shelf. Chrome.	3#	\$135
350118	Wire keyboard holder, single unit. Fits 20"D shelf. Chrome.	3#	\$126
350101	Wire keyboard holder, dual unit. Fits 16"D shelf. Chrome.	4#	\$233
350119	Wire keyboard holder, dual unit. Fits 20"D shelf. Chrome.	4#	\$220
19503TA*	Combination keyboard/mouse platform 19"W x 8 1/4"D, 9"Dia. mouse platform	15#	\$545

\*Available in Black Only.



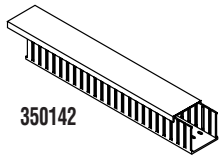
19503TA

### Maytrix Cable Management System



350150

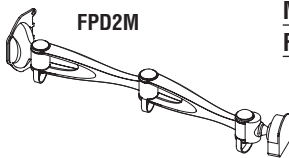
350142	2"W x 2"D channel (slotted), 6 ft. - black only	3#	\$185
350117	Pop rivets - pkg. of 25 (to attach cable channels)	1#	\$17
350150	24"W Wire Cable Trough	1#	\$129
350151	30"W Wire Cable Trough	2#	\$167
350152	36"W Wire Cable Trough	2.5#	\$223



350142

## FLAT PANEL MONITOR SUPPORT BRACKET

- Compatible with VESA compliant monitors only.
- 25 lb. capacity.

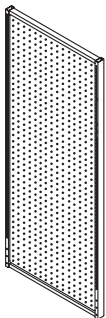


FPD2M

Model No.	Description	Wt.	List Price
FPD2M	Monitor Support – Two Arms	4#	\$175

## MAYTRIX FABRIC SCREEN

- Installs between Maytrix steel frame sections to create a private work environment.



Model No.	Dimensions	Wt.	List Price
350440	24"W x 72"H x 1 1/4"D	58#	\$929
350445	30"W x 72"H x 1 1/4"D	75#	\$1184
350450	36"W x 72"H x 1 1/4"D	92#	\$1246
350460	24"W x 60"H x 1 1/4"D	48#	\$840
350465	30"W x 60"H x 1 1/4"D	62#	\$1095
350470	36"W x 60"H x 1 1/4"D	76#	\$1154
350480	24"W x 84"H x 1 1/4"D	68#	\$1048
350485	30"W x 84"H x 1 1/4"D	88#	\$1303
350490	36"W x 84"H x 1 1/4"D	107#	\$1363

# HOW TO ORDER MAYTRIX FABRIC SCREENS

## FABRIC SCREEN OPTIONS

When ordering fabric screens, use the code at right to indicate your fabric option:

3	5	0	4	4	0	S	T	Y
Product Code						Fabric Option		

Access to ALL standard Guilford of Maine fabrics are available with a maximum 4-week production lead time for a nominal upcharge. Contact a Mayline customer service representative for more information.

## Corporate Fabric

Fabric Color	Order Code
<b>Spinel</b>	
Tiger Eye	STY
Sand Stone	SSS
Guilden	SGL
<b>Lido</b>	
Balboa	LBB
Heartland	LHL
Bryce Canyon	LBC
<b>Mingle</b>	
Crystal	MCT
Khaki	MHK
Biscuit	MBT
<b>Cross Town</b>	
Buff	CBF
Ray	CRA
Fieldstone	CFS
<b>Anchorage</b>	
Goose	AGS
<b>Bailey</b>	
Khaki	BKH
<b>Hopscotch</b>	
Fieldstone	HFS

## e\*LAN COMPUTER RACKING STATIONS

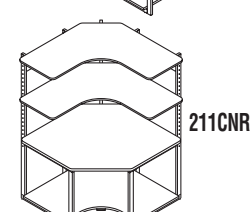
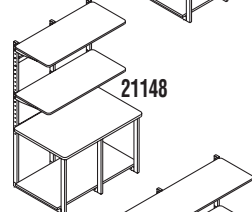
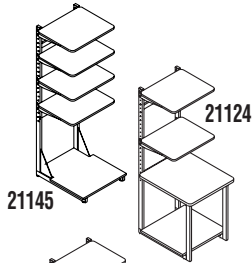
Affordable racking stations for organizing networking hardware and equipment.

**Framework:** 1" x 2" x 72"H, 14-gauge steel. Frames allow for shelf adjustment in 2" increments. Tested to 600 lbs. per 24"/36" frame without failure.

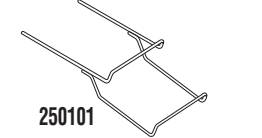
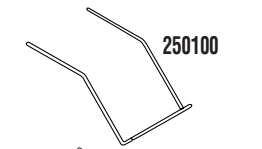
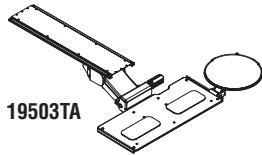
**Shelves:** Thermally-fused low-pressure laminate over 3/4"-thick particle board core. Shelves tested to 250 lbs. without failure.

**Work surfaces:** Thermally-fused low-pressure laminate over 1" thick particle board core. Post-formed tops not available.

**Color:** Graphite paint finish with Ice Gray low-pressure laminate surfaces only.



**Note:** EACH STATION SHIPS IN ONE CARTON.



Model No.	Description	Wt.	List Price
<b>21145</b>	<b>24" Server Station</b> 24"W framework; (4) 24 1/4"W x 20"D shelves; and (1) 24 1/4"W x 29 1/2"D server shelf.	108#	\$895
<b>21124</b>	<b>24" LAN Station</b> 24"W framework; (2) 24 1/4"W x 20"D shelves; (1) 25"W x 30"D work surface; and (1) 24 1/4"W x 24 3/4"D server shelf.	111#	\$1204
<b>21148</b>	<b>48" LAN Station</b> 48"W framework; (2) 48"W x 20"D shelves; (1) 48"W x 30"D work surface; and (1) 47"W x 24 3/4"D server shelf.	200#	\$2068
<b>21172</b>	<b>72" LAN Station</b> 72"W framework; (2) 72"W x 20"D shelves; (1) 72"W x 30"D work surface; and (1) 71"W x 24 3/4"D server shelf.	253#	\$2580
<b>211CNR</b>	<b>48" Corner Station</b> 48"W corner framework; (2) 48"W x 20"D corner shelves; (1) 48"W x 30"D corner work surface; and (1) 46"W x 25 1/8"D corner server shelf.	298#	\$2728

Model No.	Description	Wt.	List Price
<b>e*LAN Accessories</b>			
<b>Additional Shelving</b>			
<b>2202418</b>	24"W x 20"D shelf	15#	\$169
<b>2204818</b>	48"W x 20"D shelf	28#	\$253
<b>2207218</b>	72"W x 20"D shelf	38#	\$281

### Keyboard Supports

<b>19503TA*</b>	Combination keyboard/mouse platform 19"W x 8 1/4"D, 9"Dia. mouse platform	15#	\$545
<b>250100</b>	Wire keyboard holder. Chrome finish. 18"W x 9"D x 7"H	3#	\$119
<b>250101</b>	Dual wire keyboard holder. Chrome finish. 18"W x 9"D x 10"H	4#	\$202

\* Available in black only.

### Cable Management

<b>350142</b>	2" x 2" cable manager, 6 ft. — black only.	3#	\$185
---------------	--	----	-------

### Caster Kits

<b>21100</b>	Caster kit for 24"W stations (2 7/8" casters)	4#	\$107
<b>21101</b>	Caster kit for 48"W and 72"W stations (2 7/8" casters)	5#	\$156
<b>21103</b>	Caster kit for corner unit (2 7/8" casters)	6#	\$206

### Power Strips

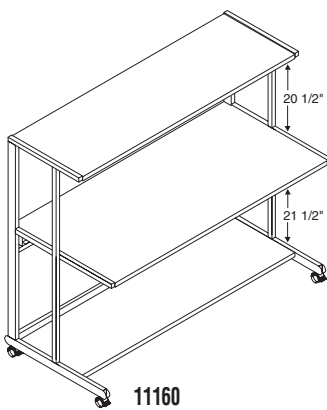
<b>21104</b>	24"W power strip, 8 outlet, 15 amp, 15 ft. cord	4#	\$225
<b>21105</b>	48"W power strip, 16 outlet, 15 amp, 15 ft. cord	5#	\$254
<b>21106</b>	72"W power strip, 24 outlet, 15 amp, 15 ft. cord	6#	\$322
<b>21107</b>	e*LAN connector kit for ganging LAN and corner stations (will not work on 21145 Server Station)	2#	\$93

## NETSTART LAN SUPPORT STATIONS

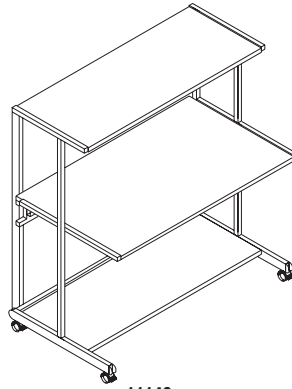
High quality, affordable LAN support stations. Steel frame construction with laminate shelves and worksurfaces. LAN Stations able to accommodate 19" monitors between worksurface and upper shelf.

- Optional casters, two locking.
- Shelves & surfaces able to support 150# each.
- Server station has two adjustable shelves.
- All LAN stations 50"H x 30"D.
- Graphite paint, Light Gray low-pressure laminate surfaces only.
- All stations ship complete in one carton.
- Shelves are 20"D, work surfaces are 29"D.

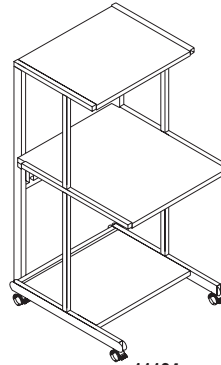
Model No.	Description	Wt.	List Price
<b>11160</b>	60" LAN Station (actual width 62")	125#	\$1528
<b>11148</b>	48" LAN Station (actual width 50")	79#	\$1376
<b>11124</b>	24" LAN Station (actual width 24")	60#	\$840
<b>11145</b>	24" Server Station (24"W x 27"D x 60"H)	60#	\$611
<b>21102</b>	Set of 4 casters (2" casters)	2#	\$100



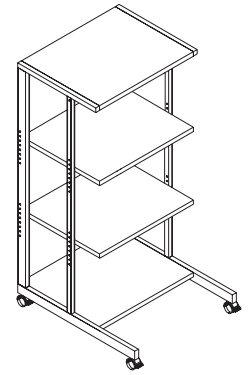
11160



11148



11124



11145

Models shown with optional casters.

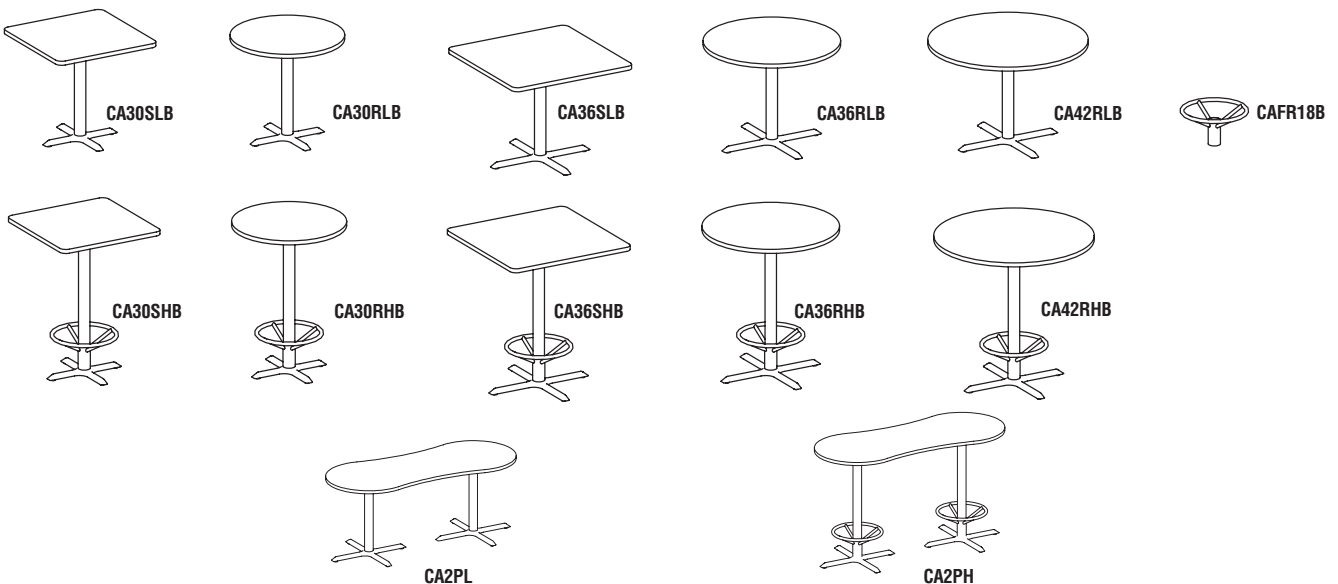
## BISTRO TABLES

Bistro offers a line of dining and bar height tables ideal for break rooms, cafeterias, or any hospitality-type setting.

- Available in dining (29") or bar (42") heights.
- Cast iron base with 3" diameter steel tube support (Black only).
- Quick and easy assembly.
- TFL = 1" tops; HPL = 1 1/8" tops.
- Optional 18" footring.
- Bistro chairs and stools available on page 309.
- HPL edge Treatments: T-Mold (T), Knife-Edge (K), or Fluted (R) available in corporate edge colors.

**Designer Finishes:** Select from over 600 high-pressure laminates; use "H" suffix on model number when ordering.

Model No.	Description	Wt.	LPL List Price "T" Suffix	HPL List Price "H" Suffix T-Mold List Price "T, K or R" Suffix
<b>Dining Height Models</b>				
CA30SLB	30"W x 30"D x 29"H Square Table	55#	\$388	\$607
CA30RLB	30"Dia. x 29"H Round Table	50#	\$387	\$608
CA36SLB	36"W x 36"D x 29"H Square Table	70#	\$440	\$700
CA36RLB	36"Dia. x 29"H Round Table	60#	\$439	\$701
CA42RLB	42"Dia. x 29"H Round Table	70#	\$608	\$766
CA2PL	72"W x 30"D x 29"H Peanut Table	75#	\$1107	\$1303
<b>Bar Height Models</b>				
CA30SHB	30"W x 30"D x 42"H Square Table	57#	\$399	\$621
CA30RHB	30"Dia. x 42"H Round Table	52#	\$398	\$622
CA36SHB	36"W x 36"D x 42"H Square Table	72#	\$451	\$713
CA36RHB	36"Dia. x 42"H Round Table	62#	\$450	\$714
CA42RHB	42"Dia. x 42"H Round Table	72#	\$622	\$779
CA2PH	72"W x 30"D x 42"H Peanut Table	80#	\$1132	\$1351
CAFR18B	18" Steel Footring	8#	\$234	\$234





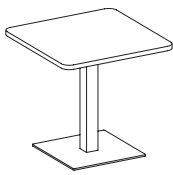
## BISTRO TABLES

Upgrade your break area with a stylish and durable stainless steel bistro table.

- Available in dining (29") or bar (42") heights.
- Stainless Steel base with square tube support.
- Quick and easy assembly.
- TFL = 1" tops; HPL = 1 1/8" tops.
- Four leveling glides integrated to underside of base.
- Tables available in either Thermally Fused Laminate with standard T-Mold or High Pressure Laminate with your choice of 3 edge treatments.
- HPL edge Treatments: T-Mold (T), Knife-Edge (K), or Fluted (R) available in corporate edge colors.

DINING HEIGHT MODELS			LPL List Price "T" Suffix	HPL List Price "H" Suffix T-Mold List Price "T, K or R" Suffix
Model No.	Description	Wt.		
CA30SLS	30"W x 30"D x 29"H Square Table	80#	\$486	\$733
CA30RLS	30"Dia. x 29"H Round Table	75#	\$486	\$733
CA36SLS	36"W x 36"D x 29"H Square Table	95#	\$538	\$826
CA36RLS	36"Dia. x 29"H Round Table	85#	\$538	\$826
CA42RLS	42"Dia. x 29"H Round Table	95#	\$709	\$890
CA3PL	72"W x 30"D x 29"H Peanut Table	126#	\$1245	\$1564

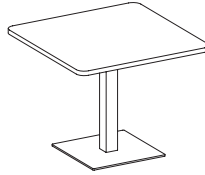
BAR HEIGHT MODELS				
Model No.	Description	Wt.	LPL List Price "T" Suffix	HPL List Price "H" Suffix T-Mold List Price "T, K or R" Suffix
CA30SHS	30"W x 30"D x 42"H Square Table	82#	\$498	\$746
CA30RHS	30"Dia. x 42"H Round Table	77#	\$498	\$746
CA36SHS	36"W x 36"D x 42"H Square Table	97#	\$551	\$838
CA36RHS	36"Dia. x 42"H Round Table	87#	\$551	\$838
CA42RHS	42"Dia. x 42"H Round Table	97#	\$721	\$903
CA3PH	72"W x 30"D x 42"H Peanut Table	132#	\$1422	\$1778



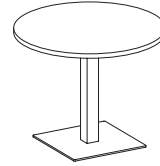
CA30SLS



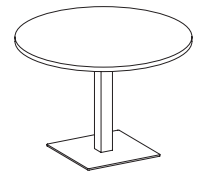
CA30RLS



CA36SLS



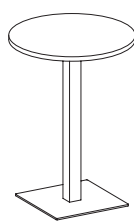
CA36RLS



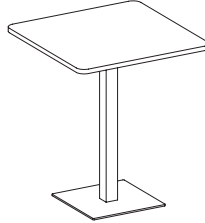
CA42RLS



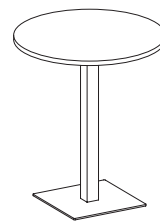
CA30SHS



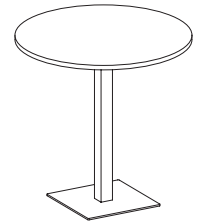
CA30RHS



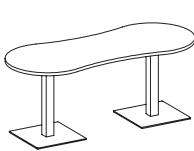
CA36SHS



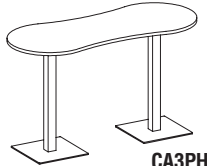
CA36RHS



CA42RHS



CA3PL



CA3PH

**ESCALATE SERIES**



ESC2



ESS2

- Sleek and contemporary.
- Black plastic seat and back, chrome legs.
- Chairs shipped 4/carton.
- Stools shipped 2/carton.
- Trolley available for chairs.
- 250 lb. weight capacity.
- Shipped completely assembled.

Model No.	Description	Outside Dimensions	Seated Area Dimensions	Seat Height	Carton Wt.	Carton List Price	Each List Price
<b>ESC2</b>	Escalate Chair	19 1/2"W x 21 1/2"D x 32"H	18"W x 19"D x 14"H	18"	65#	\$808/ctn.	\$202/ea.
<b>ESS2</b>	Escalate Stool	21 1/2"W x 23"D x 43 3/4"H	18"W x 19 1/2"D x 13 3/4"H	30"	45#	\$574/ctn.	\$287/ea.
<b>EST</b>	Escalate Trolley (stacks up to 25 chairs)		21"W x 27"D x 18 1/4"H		25#	\$291/ctn.	N/A

**VALORÉ SERIES**



TSC2



TSS2

- Comfortable mesh backs with black fabric cushions.
- Unique tubular steel frame in a silver finish.
- Integrated foot glides.
- Chairs stack up to four high.
- Chairs ship 2/carton, fully assembled.
- Stools ship 2/carton, minimal assembly required.
- **Available in:** Black, orange or burgundy mesh with Black fabric seats.

Model No.	Description	Outside Dimensions	Seated Area Dimensions	Seat Height	Carton Wt.	Carton List Price	Each List Price
<b>TSC2</b>	Valoré Chair	21 1/2"W x 21 3/4"D x 33 1/4"H	18"W x 17"D x 14 3/4"H	18 1/2"	40#	\$670/ctn.	\$335/ea.
<b>TSS2</b>	Valoré Stool	22"W x 22"D x 44 3/4"H	18"W x 17"D x 14 3/4"H	30"	55#	\$900/ctn.	\$450/ea.



# THE EVENT SERIES CHAIRS



- Multipurpose seating ideal for most everything from breakrooms to banquets. Durable, lightweight, and comfortable.
- All models in all finishes available on both Kwik-Ship and Fast Freight.

## FOLDING CHAIRS



- Polypropylene seat and back provides durability.
- Powder-coated frames.
- Available in: Wedding White, Black, Neutral.
- Able to ship via small parcel. See Terms and Conditions.
- Double-riveted cross brace on rear legs for stabilization.
- 2200 Series cart available, model 2200C, see carts section.
- 225 lb. max. weight rating.

Model No.	Description	Outside Dimensions	Seat Height	Carton Qty.	Carton List Price
❖ 2200FC	Folding Chair	17"W x 17 3/4"D x 32"H	17 1/2"	8	\$356/ctn.

## HEAVY DUTY FOLDING CHAIR



- Contoured, durable polyethylene seat and back.
- Arched cross-braces on the legs for exceptional strength.
- Optional Cart available. See chair carts section.
- 250 lb. max. weight rating.
- Integrated back handle for easy set-up.
- Able to ship via small parcel. See Terms and Conditions.
- Finishes: Textured White.

Model No.	Description	Outside Dimensions	Seat Height	Carton Qty.	Carton List Price
❖ 5000FC	Heavy Duty Folding Chair	18 1/2"W x 21 1/2"D x 33 1/4"H	18"	4	\$366/ctn.

## STACKING CHAIRS



### 2300 Series:

- Contoured back and extra-wide seat in a lightweight design.
- Optional Cart available. See chair carts section.
- Finishes: Black or Blue seats with Black powder-coated frames.
- 16 gauge 5/8" round high-strength steel tubing.
- Does not ship via small parcel.
- 250 lb. max. weight rating.

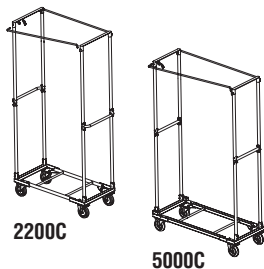
### 6310 Series:

- One piece polypropylene seat.
- Does not ship via small parcel.
- Finishes: Black or Blue seats with Black powder-coated frames.
- Optional Cart available. See chair carts section.
- 250 lb. max. weight rating.



Model No.	Description	Outside Dimensions	Seat Height	Carton Qty.	Carton List Price	Each List Price
❖ 2300SC	Stack Chair	21"W x 21 1/2"D x 31"H	17 1/2"	4	\$448/ctn.	\$112/ea.
❖ 6310SC	One Piece Stack Chair	19 1/4"W x 20 1/2"D x 30 1/2"H	17 1/2"	4	\$404/ctn.	\$101/ea.

## CHAIR CARTS



- Transport and store chairs with these easy-to-assemble carts.
- Models 2200C, 5000C, and 2300C are able to ship via small parcel. See Terms and Conditions. Model 6310C does not ship via small parcel.
- Finishes: Black powder-coat.

Model No.	Description	Outside Dimensions	Maximum Chairs per Cart	List Price
❖ 2200C	Folding chair stack cart for 2200FC	41 1/4"W x 19"D x 77 1/2"H	60	\$296/ea.
❖ 5000C	Folding chair stack cart for 5000FC	44"W x 19"D x 74 3/4"H	27	\$391/ea.
❖ 2300C	Folding chair stack cart for 2300SC	24 1/4"W x 23 1/4"D x 14"H	40	\$283/ea.
❖ 6310C	Chair Lift for 6310SC and 6510SC	33 1/4"W x 25 1/2"D x 45 1/2"H	12	\$552/ea.



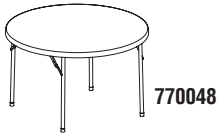
❖ Indicates Kwik-Ship models.

# THE EVENT SERIES MULTI-PURPOSE TABLES

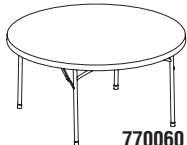


- A new line of multi-purpose, durable folding tables that meet most any need, indoors or out.
- All models available on both Kwik-Ship and Fast Freight.

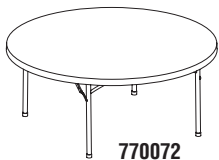
## FOLDING TABLES



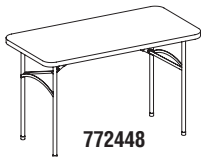
770048



770060



770072



772448

- Heavy-Duty Design. Increased number of connections between the frame and the top providing an even stronger connection.
- Table height: 29".
- Indoor or outdoor use.
- Models 770048, 770060, 770072, and 773096 do not ship via small parcel. Models 772448, 773060, 773072, and 721872 are able to ship via small parcel. See Terms and Conditions.
- Optional carts available. See table carts section.
- Finishes: Textured White with Dark Gray hammer-coated frame.
- Two slide locks per table.

**NOTE:** Do not push or drag tables.

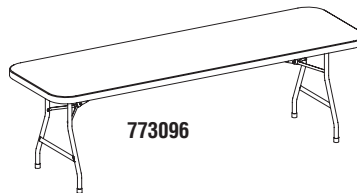
Model No.	Description	Dimensions	Maximum Weight Load Capacity with 1/4" Deflection <i>(Weight must be evenly distributed.)</i>	List Price
❖ 770048	7700 Series - 48" Round	48" Diameter x 29"H	800#	\$230
❖ 770060	7700 Series - 60" Round	60" Diameter x 29"H	900#	\$344
❖ 770072	7700 Series - 72" Round	72" Diameter x 29"H	1000#	\$480
❖ 772448	7700 Series - 24" x 48" Rectangular	48"W x 24"D x 29"H	500#	\$134
❖ 773060	7700 Series - 30" x 60" Rectangular	60"W x 30"D x 29"H	600#	\$180
❖ 773072	7700 Series - 30" x 72" Rectangular	72"W x 30"D x 29"H	500#	\$209
❖ 773096	7700 Series - 30" x 96" Rectangular	96"W x 30"D x 29"H	300#	\$285
❖ 721872	7200 Series - 18" x 72" Rectangular	72"W x 18"D x 29"H	200#	\$199



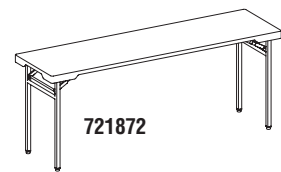
773060



773072



773096



721872

## TABLE CARTS

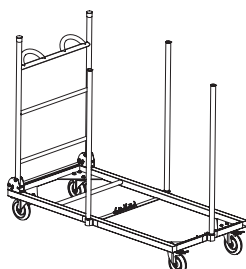


77CRND

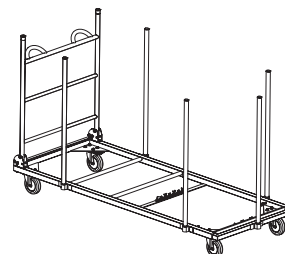
**Table Capacity:**  
(16) 48" tables  
(14) 60" tables  
(13) 72" tables

- A simple storage solution.
- Does not ship via small parcel.
- Finishes: Black powder-coat.

Model No.	Description	Dimensions	List Price
❖ 77CRND	Round Table Dolly	58-69"W x 32 3/4"D x 40 1/4"H	\$421
❖ 7724WC	Rectangular Table Cart for 24 x 48" tables	53"W x 27 1/4"D x 45 1/4"H	\$391
❖ 7730WC	Rectangular Table Cart for 30" tables	76 3/4"W x 33"D x 45 1/4"H	\$473



**7724WC**  
**Table Capacity:**  
(20) 24" x 48" tables



**7730WC**  
**Table Capacity:**  
(20) 30" x 60" tables  
(20) 30" x 72" tables  
(18) 30" x 96" tables

❖ Indicates Kwik-Ship models.

# DRAWING TABLES

## RANGER® STEEL FOUR-POST & SPLIT-TOP

**Drawing Boards:** Thermally fused 1" thick Birch woodgrain low-pressure laminate with steel end cleats only. Includes paper apron.

**Top Height:** 37" from floor.

**Tilt Angle:** 50° from horizontal.

**Available Options:**

**Tool Drawer:** Comes with insert tray and lock with two keys.

**Shallow Plan Drawer:** Convenient storage for papers and reference materials. Not available with the split-top table.

Table is shipped knocked down.

**Drawer Dimensions:**

**Tool Drawer**

**Shallow Drawer**

**Table 7734B**

**Table 7736B**

**All other tables**

**Height**

3 3/8"

**Width**

10 3/8"

**Depth**

27 3/8"

1 5/8"

24 1/4"

27 3/8"

1 5/8"

36 1/4"

27 3/8"

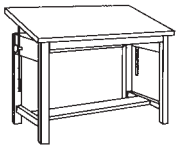
1 5/8"

48 1/4"

27 3/8"

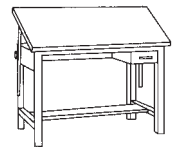
Model No.	Description	Wt.	List Price
-----------	-------------	-----	------------

### Ranger Steel Four-Post Table only. No drawers.



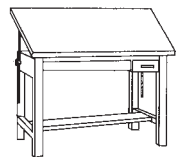
<b>7732</b>	30" x 42"	108#	\$1248
<b>7734</b>	37 1/2" x 48"	118#	\$1339
<b>7736</b>	37 1/2" x 60"	157#	\$1411
<b>7737</b>	37 1/2" x 72"	167#	\$1708
<b>7738</b>	43 1/2" x 72"	177#	\$1874
<b>7739</b>	43 1/2" x 84"	185#	\$2082

### Ranger Steel Four-Post A Combination Table with tool drawer only.



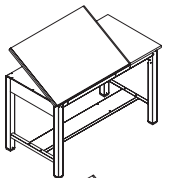
<b>7732A</b>	30" x 42"	134#	\$1452
<b>7734A</b>	37 1/2" x 48"	146#	\$1557
<b>7736A</b>	37 1/2" x 60"	160#	\$1596
<b>7737A</b>	37 1/2" x 72"	177#	\$1763
<b>7738A</b>	43 1/2" x 72"	187#	\$2005
<b>7739A</b>	43 1/2" x 84"	195#	\$2156

### Ranger Steel Four-Post B Combination Table with tool and shallow drawers.



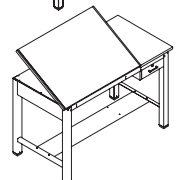
<b>7734B</b>	37 1/2" x 48"	156#	\$1693
<b>7736B</b>	37 1/2" x 60"	172#	\$1797
<b>7737B</b>	37 1/2" x 72"	194#	\$1932
<b>7738B</b>	43 1/2" x 72"	204#	\$2187
<b>7739B</b>	43 1/2" x 84"	212#	\$2387

### Ranger Split-Top Table only. No drawers.



Model No.	Overall	Tilt Surface	Fixed Surface	Wt.	List Price
<b>7772</b>	30" x 60"	42"W	18"W	150#	\$2031
<b>7773</b>	30" x 72"	48"W	24"W	160#	\$2206

### Ranger Split-Top A Combination. Table with tool drawer only.



Model No.	Overall	Tilt Surface	Fixed Surface	Wt.	List Price
<b>7772A</b>	30" x 60"	42"W	18"W	155#	\$2385
<b>7773A</b>	30" x 72"	48"W	24"W	165#	\$2562

DESKING

CASEGOODS

CONFERENCE & TRAINING TABLES

SEATING

STORAGE & FILING

SPECIALTY SOLUTIONS

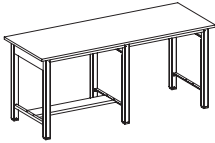
COM FORMS

PRODUCT INDEX

# RANGER TEAM TABLES

Mayline's Ranger Table is the perfect solution for project or other team meetings. The Team Table has the same great strength and quality as our standard Ranger drafting table which is the result of over 50 years of experience in the drafting industry. A variety of storage under the standing height table can house project or meeting materials.

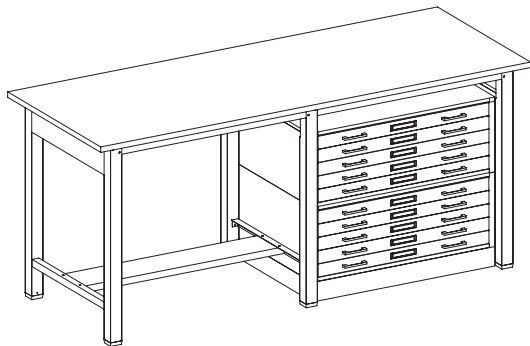
- Rectangular shape 36"D x 96"W x 42"H.
- Heavy-duty steel base provides strength and stability and is available as standard in Mayline Corporate colors.
- High pressure laminate top with 3mm edge banding.
- All Mayline Corporate color HPLs available from Wilsonart, Nevemar and Pionite.
- Custom colors for storage or table elements available upon request with an extended lead time. Please call Customer Service for a quotation.



Model No.	Description	Wt.	List Price
<b>7760</b>	36"D x 96"W x 42"H Ranger Base Standing Height Table Interior Frame Dimensions 23"D x 41 1/4"W per Leg Section (85 1/2"W overall) x 39"H	170#	\$2143

The Ranger Team Table can be used with Mayline Plan Files, Lateral Files and Bookcases to store a variety of team and project materials. Refer to interior table dimensions to verify how many units will fit beneath the table. Please contact Customer Service with questions.

## RANGER TEAM TYPICALS



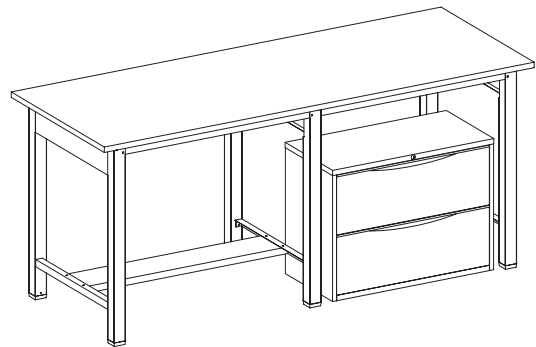
**RANGER TEAM TYPICAL #1** – Any combination of Interlocking Files can be used – 7 1/2" Drawers, 5-Drawer and 10-Drawer models as seen in the Price List page 323.

Consists of:

QTY.	MODEL NO.	DESCRIPTION	LIST PRICE EACH
1	<b>7760</b>	Team Table	\$2143
1	<b>7767U</b>	Steel Cap	\$512
1	<b>7767W</b>	Flush Base	\$353
2	<b>7767</b>	5-Drawer Files	\$2215

**RTT1**

**TOTAL: \$7439**



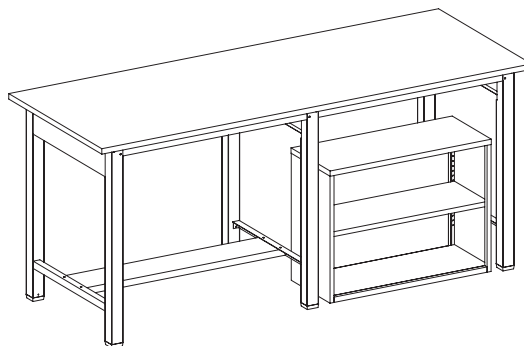
**RANGER TEAM TYPICAL #2** – Back-to-back laterals would extend beyond the leg structure of the table.

Consists of:

QTY.	MODEL NO.	DESCRIPTION	LIST PRICE EACH
1	<b>7760</b>	Team Table	\$2143
1	<b>C841H</b>	Lateral File	\$852

**RTT2**

**TOTAL: \$2995**



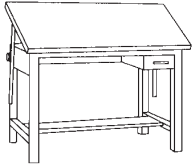
**RANGER TEAM TYPICAL #3**

Consists of:

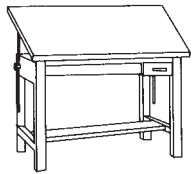
QTY.	MODEL NO.	DESCRIPTION	LIST PRICE EACH
1	<b>7760</b>	Team Table	\$2143
1	<b>CBC2</b>	Bookcase	\$326

**RTT3**

**TOTAL: \$2469**

**ECONOMY RANGER® STEEL FOUR-POST****Drawing Board:** Wood core with thermally fused Fog Gray low-pressure laminate surface.**Top Height:** 37" from floor.**Tilt Angle:** 50° from horizontal.**Available Options:** Tool Drawer, Shallow Plan Drawer (locks not available).

Model No.	Description	Wt.	List Price
<b>Economy Ranger Steel Four-Post Table only. No drawers.</b>			
7724	38 1/2" x 48"	110#	\$1227
7726	38 1/2" x 60"	150#	\$1250



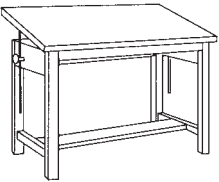
<b>Economy Ranger Steel Four-Post A" Combination Table with tool drawer only.</b>			
7724A	38 1/2" x 48"	138#	\$1461
7726A	38 1/2" x 60"	152#	\$1495

**Economy Ranger Steel Four-Post B" Combination Table with tool and shallow drawers.**

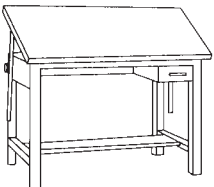
7724B	38 1/2" x 48"	148#	\$1557
7726B	38 1/2" x 60"	160#	\$1600

**WOOD FOUR-POST****Drawing Tops:** Thermally fused Birch low-pressure laminate with steel end cleats.**Top Height:** 37" from floor.**Tilt Angle:** 50° from horizontal.**Available Options:****Tool Drawer:** Equipped with removable insert tray, individual lock with two keys.**Shallow Plan Drawer:** Storage drawer for papers and reference materials.**Table is shipped knocked down.****Drawer Dimensions:**  
**Tool Drawer**  
**Shallow Plan Drawer**  
**Table 7707-B**

Height	Width	Depth
3 3/4"	10 3/4"	25"
1 7/8"	46"	25"



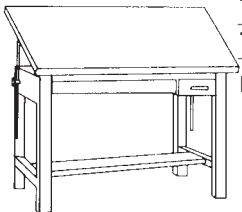
Model No.	Description	Wt.	List Price
<b>Wood Four-Post only. No drawers.</b>			
7706	37 1/2" x 60"	137#	\$2624
7707	37 1/2" x 72"	154#	\$2830

**Finishes:** Standard - Naturalist, Golden Oak, Unfinished

<b>Wood Four-Post A Combination with tool drawer.</b>			
7706A	37 1/2" x 60"	147#	\$2911
7707A	37 1/2" x 72"	164#	\$3116

**Finishes:** Standard - Naturalist, Golden Oak, Unfinished**Wood Four-Post B Combination with tool and shallow drawers.**

7706B	37 1/2" x 60"	160#	\$3056
7707B	37 1/2" x 72"	172#	\$3279

**Finishes:** Standard - Naturalist, Golden Oak, Unfinished

## ART TABLES

**Drawing Boards:** Thermally fused low-pressure laminate in white finish. Tables are shipped knocked down.

**Height adjustments for pedestal tables: Stoway** - 15", from 29" - 44"  
**Note:** Tilts from 0° - 45°.



Model No.	Description	Wt.	List Price
<b>Stoway Table</b>			
7403AP*	30" x 42" White top	54#	\$427

\*Note: Limited quantities available. **Base Colors:** White only

## FUTUR-MATIC® DRAWING TABLES

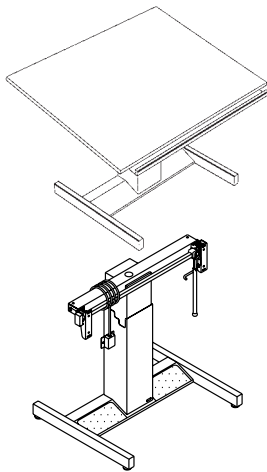
**Drawing Boards:** Thermally fused Fog Gray or Birch low-pressure laminate with steel end cleat. Hardwood pencil trough.

**Electrical System:** 110V, 60 Hz, 24V DC motor. Draws 1.2 amps under full load.

**Top Height Range:** 18" travel range, 30" to 48".

**FM T/C Drive System:** 250 pounds of lifting capacity and 150 foot pounds of tilting torque. All gear drive. No belts or pulleys.

**Tilt Angle:** Horizontal to near vertical.



Model No.	Description	Wt.	List Price
<b>Futur-Matic</b> with electric height and manual tilt adjustment.			
8693B	30" x 42"	160#	\$5095
8694B	37 1/2" x 48"	180#	\$5465
8696B	37 1/2" x 60"	190#	\$5597
8697B	37 1/2" x 72"	242#	\$5746

**Power Bases with 29" - 47" height adjustment.** Power height. Manual tilt.

81370A6	(w/o bd. brackets)	104#	\$4117
3117	Board brackets for 81370A6	10#	\$147

Board brackets sold separately. Required for addition of all work surfaces.

**NOTE:** Mounting hole patterns for digitizer tablets vary from manufacturer to manufacturer and require different brackets. Please contact your digitizer tablet dealer or manufacturer first to obtain this information before ordering.

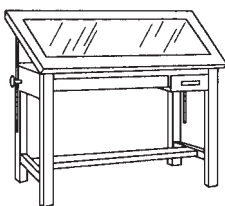
## LIGHT TABLES

**Drawing Boards:** Self-contained light box with translucent 1/8" acrylic diffuser panel, 1/4" clear glass and hardwood frame with Naturalist finish.

**Lighting:** 30" x 36" Four 30W Tubes (supplied) or 30" x 48" Four 40W Tubes (supplied). All tubes must be cool white rapid-start only.

**Dimming Control Range:** 0 - 325 foot candles, with solid state, full-range dimming control.

**Electrical Requirements:** 120V, 60 Hz, 2.0 Amps.

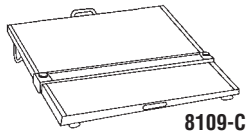


Model No.	Top Size	Glass Size	Wt.	List Price
<b>Ranger Steel Four-Post Light Tables</b> with tool and shallow drawer units.				
7734BLT	37 1/2" x 48"	30" x 36"	250#	\$6437
7736BLT	37 1/2" x 60"	30" x 48"	256#	\$6801
<b>Colors:</b> Standard - White, Desert Sage, Gray				
<b>Replacement Light Tops</b>				
20627R3	37 1/2" x 48"	30" x 36"	126#	\$4945
20628R3	37 1/2" x 60"	30" x 48"	146#	\$5301

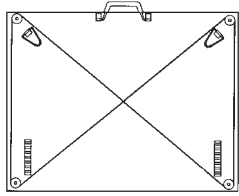
**Note:** Glass used is 1/4" thick clear with swiped edges. When purchasing light tops separately, specify what type table is being used so proper hardware is supplied.

**Finishes:** Standard - Naturalist

# PROKITS



8109-C



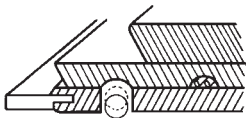
Model No.	Description	Wt.	List Price
<b>PROFESSIONAL DRAWING KITS (PROKITS)</b>			
<b>Woodgrain Low-Pressure Laminate w/Transparent Edge Kit Rule</b>			
8109C	18" x 24"	12#	\$312
8111C	15" x 20"	8#	\$302
8115C	30" x 42"	31#	\$451

# STRAIGHTEDGES

## MAYLINE STRAIGHTEDGE SPECIFICATIONS

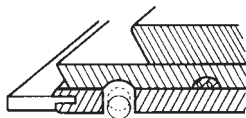
Delrin rollers best for Mylar and Metal for Vellum and other paper medium.

Model No.	Length		Wt.	List Price
<b>Mobile Parallel Ruling Straightedge w/E-Z Grip Cap with Metal Rollers</b>				
7271A	36"		2.6#	\$352
7272A	42"	Above-board	2.9#	\$368
7273A	48"	mounting hardware included	3.3#	\$419
7275A	60"		4.1#	\$551



<b>Mobile Parallel Ruling Straightedge w/E-Z Grip Cap &amp; Armoredge® with Metal Rollers</b>				
7271ASE	36"		2.5#	\$457
7272ASE	42"	Above-board	2.9#	\$487
7273ASE	48"	mounting hardware included	3.3#	\$548
7275ASE	60"		4.1#	\$730

<b>Mobile Parallel Ruling Straightedge w/E-Z Grip Cap with Delrin Rollers</b>				
D7270A	30"		2.3#	\$346
D7271A	36"		2.6#	\$362
D7272A	42"	Above-board	2.9#	\$376
D7273A	48"	mounting hardware included	3.3#	\$422
D7275A	60"		4.1#	\$556

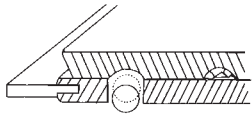


<b>Mobile Parallel Ruling Straightedge w/E-Z Grip Cap &amp; Armoredge® with Delrin Rollers</b>				
D7271ASE	36"		2.5#	\$478
D7272ASE	42"	Above-board	2.9#	\$492
D7273ASE	48"	mounting hardware included	3.3#	\$511
D7275ASE	60"		4.1#	\$701

<b>Mobile Parallel Ruling Straightedge with Metal Rollers</b>				
7260A	30"		1.9#	\$256
7261A	36"		2.1#	\$271
7262A	42"	Above-board	2.4#	\$284
7263A	48"	mounting hardware included	2.7#	\$302
7265A	60"		3.3#	\$393



## MAYLINE STRAIGHTEDGE SPECIFICATIONS



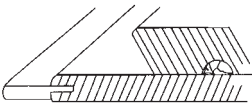
Model No.	Length		Wt.	List Price
<b>Mobile Parallel Ruling Straightedge w/Armoredge® with Metal Rollers</b>				
<b>7261ASE</b>	36"		2.2#	\$401
<b>7262ASE</b>	42"		2.4#	\$418
<b>7263ASE</b>	48"	Above-board mounting hardware included	2.8#	\$433
<b>7265ASE</b>	60"		3.4#	\$525

### Mobile Parallel Ruling Straightedge with Delrin Rollers

<b>D7260A</b>	30"		1.9#	\$248
<b>D7261A</b>	36"		2.1#	\$265
<b>D7262A</b>	42"		2.4#	\$280
<b>D7263A</b>	48"	Above-board mounting hardware included	2.8#	\$296
<b>D7265A</b>	60"		3.4#	\$356

### Mobile Parallel Ruling Straightedge w/Armoredge® with Delrin Rollers

<b>D7261ASE</b>	36"		2.2#	\$412
<b>D7262ASE</b>	42"		2.4#	\$425
<b>D7263ASE</b>	48"	Above-board mounting hardware included	2.8#	\$441
<b>D7265ASE</b>	60"		3.4#	\$518



### E-Z Grip Parallel Ruling Straightedge

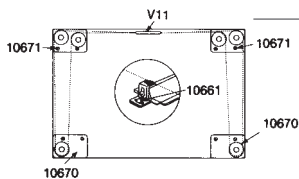
<b>7250A</b>	30"		1.7#	\$240
<b>7251A</b>	36"		2.0#	\$256
<b>7252A</b>	42"		2.3#	\$271
<b>7253A</b>	48"	Above-board mounting hardware included	2.6#	\$284
<b>7255A</b>	60"		3.1#	\$376

### E-Z Grip Parallel Ruling Straightedge w/Armoredge®

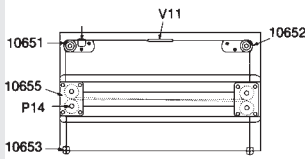
<b>7251ASE</b>	36"		2.0#	\$374
<b>7252ASE</b>	42"		2.3#	\$392
<b>7253ASE</b>	48"	Above-board mounting hardware included	2.6#	\$403
<b>7255ASE</b>	60"		3.1#	\$512

### Conversion Kit

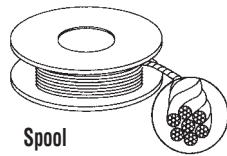
<b>7302D</b>	Conversion Kit – includes complete hardware and mounting attachments to convert any size above-board straightedge to underboard.		1.0#	\$157
--------------	--	--	------	-------



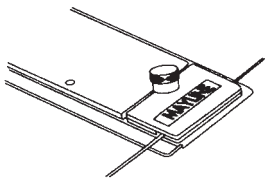
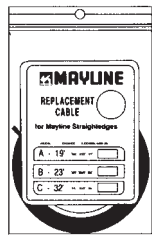
## DRAWING ACCESSORIES



The numbers indicated in the illustration are for part identification only.



Spool



Model No.	Length	Wt.	List Price
<b>E-Z Grip Blade Only w/Armoredge®</b>			
7251SE	36"	1.8#	\$262
7252SE	42"	2.1#	\$279
7253SE	48"	2.4#	\$315
7255SE	60"	3.0#	\$375

#### Underboard Attachment

7302A	30" to 42"	0.6#	\$113
7302B	48" to 72"	0.6#	\$120
7302C	84" to 96"	0.6#	\$123

#### Above Board Attachment Only

7301A	30" to 42"	0.4#	\$93
7301B	48" to 72"	0.4#	\$99
7301C	84" to 96"	0.4#	\$106

#### Hardware Bags

7306	Replacement hardware bag for above-board straightedge (Edgemount)	0.5#	\$43
7307	Hardware for mold edge surfaces	1.0#	\$102
7308	Hardware bag for above-board straightedge (Surface Mount)	1.0#	\$43

#### 7 x 7 Lubricated Stainless Steel Cable w/Nylon Coating

7355100	100' Spool	0.5#	\$89
7355300	300' Spool	0.8#	\$239
7355A	Replacement Cable for 30" - 42" straightedge, 19 feet	0.1#	\$29
7355B	Replacement Cable for 48" - 60" straightedge, 23 feet	0.1#	\$39
7355C	Replacement Cable for 72" - 96" straightedge, 32 feet	0.1#	\$52

Cut to length coils. Save time in measuring, cutting, and coiling. Pre-packed.

**Note:** For all types of parallel ruling attachments. Braided wire is corrosion resistant. Outside diameter .035".

Model No.	Description	Wt.	List Price
-----------	-------------	-----	------------

#### Straightedge Brake

7305	Parallel Ruling Straightedge Brake for all Mayline above-board blades; 2 brakes per package.	0.1#	\$50
------	--	------	------

One slight twist of the knob locks the straightedge into position enabling complete freedom of hands for use of lettering sets or inking. Also prevents loss of position due to bumping or adjusting table.

**Note:** Standard on all new above-board straightedges.

#### Touch Up Paint

9552	Must specify color, some not available.	1.0#	\$31
------	---	------	------

Touch up paint matched for all Mayline metal finishes. Available in 12 oz. pressurized spray cans. Ground shipment only.

#### Drawing Vinyl

9501V	24" x 30"	4#	\$82
9511V	30" x 36"	45#	\$102
9503V	30" x 42"	5#	\$108
9504V	37 1/2" x 48"	10#	\$167
9506V	37 1/2" x 60"	15#	\$192
9507V	37 1/2" x 72"	18#	\$231

**Color:** Green on one side, Off-White other side. For clear vinyl, add C suffix.

When ordering drawing vinyl with tables, we will apply it to your table top with doublefaced tape along the top edge only for an additional \$100 list. Never cement vinyl to your drawing top. May cause warpage or damage.

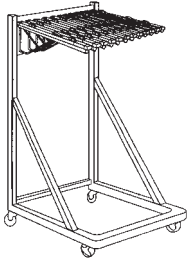
# VERTICAL HANGING FILES

Ideal choice for economical, mobile filing of active documents.

**Rolling Stands:** Constructed of tubular steel finished with an electrostatically applied high solid polyester paint. Front locking casters.

**Clamps:** Spring-loaded metal mounting clips with metal wing knobs. Hold up to 100 sheets. Includes plastic ID holders and cards.

**Hangers:** Metal pivot hangers for easy removal of clamps.

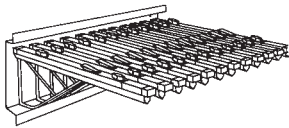


## Model No.

### Vertical File Rolling Stand Complete (Adjusts: 45" - 60"H and 28 1/2" - 42 1/2"D)

	Max. Filing Width	Description	Wt.	List Price
<b>9321</b>	18"	Rolling stand w/12 hangers and clamps	63#	\$1370
<b>9322</b>	24"	Rolling stand w/12 hangers and clamps	66#	\$1430
<b>9323</b>	30"	Rolling stand w/12 hangers and clamps	69#	\$1493
<b>9324</b>	36"	Rolling stand w/12 hangers and clamps	71#	\$1613
<b>9325</b>	42"	Rolling stand w/12 hangers and clamps	75#	\$1693
<b>9329</b>		Rolling stand only; Height adjusts from 45 1/4" to 60"H. Depth adjusts from 28 1/2" to 43". Width is 26 3/4".	39#	\$652
<b>9329H</b>		Rolling stand w/hangers (no clamps)	51#	\$903

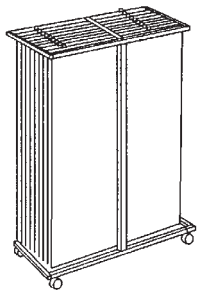
**Color:** Standard - Sand Beige



### Vertical File Wall Rack Complete

	Max. Filing Width	Description	Wt.	List Price
<b>9301</b>	18"	Wall rack w/12 hangers and clamps	46#	\$872
<b>9302</b>	24"	Wall rack w/12 hangers and clamps	48#	\$937
<b>9303</b>	30"	Wall rack w/12 hangers and clamps	50#	\$998
<b>9304</b>	36"	Wall rack w/12 hangers and clamps	54#	\$1117
<b>9305</b>	42"	Wall rack w/12 hangers and clamps	58#	\$1193
<b>9309</b>		Wall rack only; 10 1/4"H x 23 1/8"L	6.5#	\$95
<b>9309H</b>		Wall rack w/12 hangers (no clamps)	18.5#	\$396

**Color:** Standard - Sand Beige



### Expandable Mobile Plan Center - Adjustable vertical file cart

	Max. Filing Width	Description	Wt.	List Price
<b>9429</b>	27" - 39"	Expandable file cart, 40"-52" H x 16" D 1200 sheet, 12 clamp capacity	25#	\$701

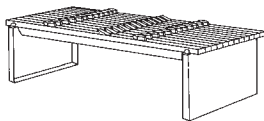
**Note:** Accepts clamps of 24", 30", and 36" length. (not included)

**Color:** Standard - Sand Beige

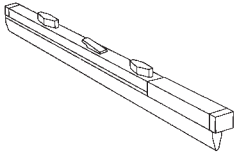
### Vertical File End Resting Wall Rack Complete

	Max. Filing Width	Description	Wt.	List Price
<b>9311</b>	18"	Wall rack with 12 clamps	18#	\$552
<b>9312</b>	24"	Wall rack with 12 clamps	22#	\$613
<b>9313</b>	30"	Wall rack with 12 clamps	24#	\$680
<b>9314</b>	36"	Wall rack with 12 clamps	28#	\$800
<b>9315</b>	42"	Wall rack with 12 clamps	32#	\$879
<b>9319</b>		Wall rack only for End Resting Clamps 8"H x 15"L	6#	\$96

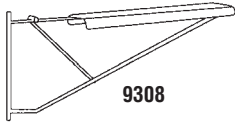
**Color:** Standard - Sand Beige



## VERTICAL HANGING FILES

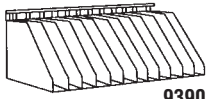


Clamps Only	Size	Qty.	Wt.	List Price
93316	18"	6/ctn.	6#	\$230
93326	24"	6/ctn.	8#	\$262
93336	30"	6/ctn.	9#	\$289
93346	36"	6/ctn.	10#	\$349
93356	42"	6/ctn.	12#	\$387



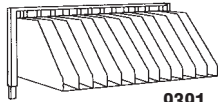
9308

Hangers Only	Description	Wt.	List Price
9308	For clamps 9331 - 9335 packed 12 per carton	12#	\$332



9390

Data File	Description	Wt.	List Price
9390	Wall rack w/12 Data Files.	28#	\$450
9391	Single Data File extension w/12 Data Files. Use with 9321-25	32#	\$537
9397	Data Files only. Packed 12 per carton.	22#	\$376
9398	Single Data File extension w/o Data Files. Use with 9321-25	10#	\$164



9391

Vertical File Parts	Description	Wt.	List Price
10550	Knobs, 12 per package	.50#	\$53
10551	Springs, 12 per package	.50#	\$27
10552	T-Bolts, 12 per package	.50#	\$38
10553	Labels and Holders, 12 per package	1#	\$31

# PLAN FILES



DESKING

CASEGOODS

CONFERENCE &  
TRAINING TABLES

SEATING

STORAGE &  
FILING

SPECIALTY  
SOLUTIONS

COM  
FORMS

PRODUCT  
INDEX

## C-FILES® (NOTE: Not on GSA)

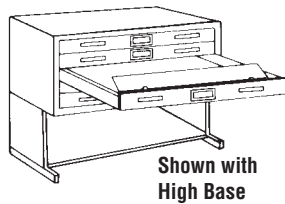
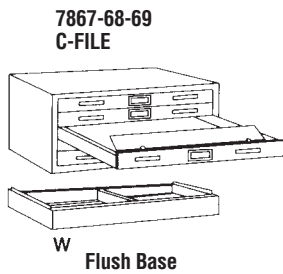
Self-contained steel C-Files® have integral cap and can be bolted together for stacking. Drawers have front metal plan depressor and rear hood to keep documents flat and orderly. High base designed to support one file. Drawer pulls are chrome. Files stack five high on flush base. One high on high base.

**File physical paper capacity:** 1000 sheets vellum per file.  
100 sheets vellum per drawer in a 10 drawer file.  
200 sheets vellum per drawer in a 5 drawer file.

**File weight capacity:** 20 lbs. (9.1 kg) per drawer in a 10 drawer file evenly distributed.  
40 lbs. (18.2 kg) per drawer in a 5 drawer file evenly distributed.

### Model No.

#### Mayline Self-Contained Steel C-Files®



For 24" x 36" Sheets		Overall Unit Sizes			Inside Drawer Sizes			Wt.	List Price
		W	H	D	W	H	D		
<b>7867C</b>	Five-Drawer File	40 3/4"	15 3/8"	28 3/8"	37"	2"	25 3/4"	170#	\$1831
<b>7867D</b>	Five-Drawer w/Dust Cover	40 3/4"	15 3/8"	28 3/8"	37"	2"	25 3/4"	177#	\$2033
<b>7977C</b>	Ten-Drawer File	40 3/4"	15 3/8"	28 3/8"	37"	5/8"	25 3/4"	210#	\$3863
<b>7977D</b>	Ten-Drawer w/Dust Covers	40 3/4"	15 3/8"	28 3/8"	37"	5/8"	25 3/4"	216#	\$4363
<b>7877</b>	20" High Base with Bookshelf	40 3/4"	20"	28 3/8"	33 3/4"	-	14 1/2"	52#	\$736
<b>7867W</b>	Flush Base	40 3/4"	4"	28 3/8"	-	-	-	14#	\$319
<b>7890X</b>	Sanitary Base Legs	41"	6"	28 5/8"	-	-	-	15#	\$302
<b>7890Y</b>	Sanitary Base Legs	41"	19 3/8"	28 5/8"	-	-	-	45#	\$648

For 30" x 42" Sheets		Overall Unit Sizes			Inside Drawer Sizes			Wt.	List Price
		W	H	D	W	H	D		
<b>7868C</b>	Five-Drawer File	46 3/4"	15 3/8"	35 3/8"	43"	2"	32 3/4"	220#	\$2127
<b>7868D</b>	Five-Drawer File w/Dust Covers	46 3/4"	15 3/8"	35 3/8"	43"	2"	32 3/4"	229#	\$2330
<b>7978C</b>	Ten-Drawer File	46 3/4"	15 3/8"	35 3/8"	43"	5/8"	32 3/4"	305#	\$4026
<b>7978D</b>	Ten-Drawer w/Dust Covers	46 3/4"	15 3/8"	35 3/8"	43"	5/8"	32 3/4"	310#	\$4559
<b>7878</b>	20" High Base with Bookshelf	46 3/4"	20"	35 3/8"	44 3/4"	-	14 1/2"	63#	\$833
<b>7868W</b>	Flush Base	46 3/4"	4"	35 3/8"	-	-	-	16#	\$354
<b>7890X</b>	Sanitary Base Legs	47"	6"	35 5/8"	-	-	-	15#	\$302
<b>7890Y</b>	Sanitary Base Legs	47"	19 3/8"	35 5/8"	-	-	-	45#	\$648

For 36" x 48" Sheets		Overall Unit Sizes			Inside Drawer Sizes			Wt.	List Price
		W	H	D	W	H	D		
<b>7869C</b>	Five-Drawer File	53 3/4"	15 3/8"	41 3/8"	50"	2"	38 3/4"	275#	\$2537
<b>7869D</b>	Five-Drawer File w/Dust Covers	53 3/4"	15 3/8"	41 3/8"	50"	2"	38 3/4"	279#	\$2742
<b>7979C</b>	Ten-Drawer File	53 3/4"	15 3/8"	41 3/8"	50"	5/8"	38 3/4"	365#	\$4790
<b>7979D</b>	Ten-Drawer w/Dust Covers	53 3/4"	15 3/8"	41 3/8"	50"	5/8"	38 3/4"	350#	\$5445
<b>7879</b>	20" High Base with Bookshelf	53 3/4"	20"	41 3/8"	51 3/4"	-	14 1/2"	70#	\$918
<b>7869W</b>	Flush Base	53 3/4"	4"	41 3/8"	-	-	-	18#	\$427
<b>7890X</b>	Sanitary Base Legs	54"	6"	41 5/8"	-	-	-	15#	\$302
<b>7890Y</b>	Sanitary Base Legs	54"	19 3/8"	41 5/8"	-	-	-	45#	\$648



Intertek

## HAMILTON UNIT SYSTEM™ FILES SPECIFICATIONS

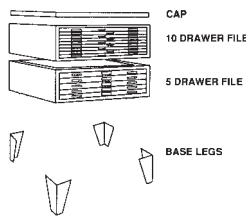
Interlocking steel plan files are designed for ease of stacking. Capacity of drawers may be increased by using Model No. 7965 and 7966 magnetic drawer dividers to arrange drawers for 1/2-, 1/4-, and 1/8-size drawing. Capacity - 1000 sheets vellum per file. Drawers have front metal plan depressor and rear hood to keep documents flat and orderly. Dust covers optional. 10-drawer files have patented tracing lifter for ease of retrieval. Able to stack three high.

**File physical paper capacity:** 1000 sheets vellum per file.  
100 sheets vellum per drawer in a 10 drawer file.  
200 sheets vellum per drawer in a 5 drawer file.

**File weight capacity:** 20 lbs. (9.1 kg) per drawer in a 10 drawer file evenly distributed.  
40 lbs. (18.2 kg) per drawer in a 5 drawer file evenly distributed.

### Model No.

#### Hamilton Unit System Files

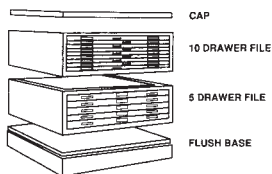


Base Option 7890X

For 24" x 36" Sheets		Overall Unit Sizes			Inside Drawer Sizes			Wt.	List Price
		W	H	D	W	H	D		
<b>1J1</b>	Flat Cap	43 5/16"	3/4"	33 1/4"	-	-	-	33#	\$422
<b>1J15</b>	Five-Drawer File	43 5/16"	15 3/8"	32 1/2"	39 1/2"	2"	29"	188#	\$2449
<b>1J15D</b>	5-Drawer w/Dust Covers	43 5/16"	15 3/8"	32 1/2"	39 1/2"	2"	29"	195#	\$2712
<b>1J117</b>	Flush Base	43 5/16"	4"	32 1/2"	-	-	-	14#	\$398
<b>1J100</b>	Ten-Drawer File	43 5/16"	15 3/8"	32 1/2"	37 1/2"	3/4"	29"	421#	\$7357
<b>7890X</b>	Base Legs (set of 4)	-	6"	-				15#	\$302
<b>7890Y</b>	Base Legs (set of 4)	-	19 3/8"	-				45#	\$648

For 30" x 42" Sheets		Overall Unit Sizes			Inside Drawer Sizes			Wt.	List Price
		W	H	D	W	H	D		
<b>2J1</b>	Flat Cap	49 5/16"	3/4"	39 1/4"	-	-	-	44#	\$528
<b>2J15</b>	Five-Drawer File	49 5/16"	15 3/8"	38 1/2"	45 1/2"	2"	35"	233#	\$2900
<b>2J15D</b>	5-Drawer w/Dust Covers	49 5/16"	15 3/8"	38 1/2"	45 1/2"	2"	35"	242#	\$3173
<b>2J117</b>	Flush Base	49 5/16"	4"	38 1/2"	-	-	-	16#	\$504
<b>2J100</b>	Ten-Drawer File	49 5/16"	15 3/8"	38 1/2"	43 1/2"	3/4"	35"	492#	\$8767
<b>7890X</b>	Base Legs (set of 4)	-	6"	-				15#	\$302
<b>7890Y</b>	Base Legs (set of 4)	-	19 3/8"	-				45#	\$648

For 36" x 48" Sheets		Overall Unit Sizes			Inside Drawer Sizes			Wt.	List Price
		W	H	D	W	H	D		
<b>3J1</b>	Flat Cap	55 5/16"	3/4"	45 1/4"	-	-	-	51#	\$648
<b>3J15</b>	Five-Drawer File	55 5/16"	15 3/8"	44 1/2"	51 1/2"	2"	41"	293#	\$3329
<b>3J15D</b>	5-Drawer w/Dust Covers	55 5/16"	15 3/8"	44 1/2"	51 1/2"	2"	41"	304#	\$3602
<b>3J117</b>	Flush Base	55 5/16"	4"	44 1/2"	-	-	-	18#	\$604
<b>3J100</b>	Ten-Drawer File	55 5/16"	15 3/8"	44 1/2"	49 1/2"	3/4"	41"	635#	\$10115
<b>7890X</b>	Base Legs (set of 4)	-	6"	-				15#	\$302
<b>7890Y</b>	Base Legs (set of 4)	-	19 3/8"	-				45#	\$648



Base Option 3J117

For 42" x 72" Sheets		Overall Unit Sizes			Inside Drawer Sizes			Wt.	List Price
		W	H	D	W	H	D		
<b>4J1</b>	Flat Cap	79 5/16"	3/4"	51 1/4"	-	-	-	103#	\$1812
<b>4J15D</b>	5-Drawer w/Dust Covers	79 5/16"	15 3/8"	50 1/2"	75 1/2"	1 1/2"	47"	525#	\$10085
<b>4J17</b>	Flush Base	79 5/16"	4"	50 1/2"	-	-	-	92#	\$1561

(Use Flush Base only.)

DESKING

CASEGOODS

CONFERENCE & TRAINING TABLES

SEATING

STORAGE & FILING

SPECIALTY SOLUTIONS

COM FORMS

PRODUCT INDEX

## MAYLINE INTERLOCKING STEEL PLAN FILES

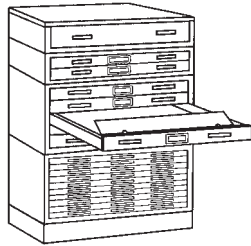
Available as five or ten-drawer stackable, interlocking units. Available with either front plan depressor or coated fabric dust covers. Stores up to 1,000 sheets. Able to stack three files on flush base.

**File physical paper capacity:** 1000 sheets vellum per file.  
100 sheets vellum per drawer in a 10 drawer file.  
200 sheets vellum per drawer in a 5 drawer file.

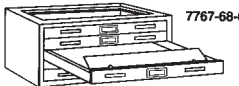
**File weight capacity:** 20 lbs. (9.1 kg) per drawer in a 10 drawer file evenly distributed.  
40 lbs. (18.2 kg) per drawer in a 5 drawer file evenly distributed.



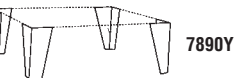
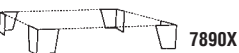
For 24" x 36" Sheets			Overall Unit Sizes			Inside Drawer Sizes			Wt.	List Price
			W	H	D	W	H	D		
<b>7767U</b>	Steel Cap		40 3/4"	3/4"	29 1/4"	-	-	-	25#	\$512
<b>7767</b>	Five Drawer File		40 3/4"	15 3/8"	28 3/8"	37"	2"	25 3/4"	171#	\$2215
<b>7767D</b>	5-Drawer w/Dust Covers		40 3/4"	15 3/8"	28 3/8"	37"	2"	25 3/4"	178#	\$2477
<b>7967</b>	10-Drawer File		40 3/4"	15 3/8"	28 3/8"	37"	5/8"	26"	228#	\$4254
<b>7967D</b>	10-Drawer File, Dust Covers		40 3/4"	15 3/8"	28 3/8"	37"	5/8"	26"	230#	\$4806
<b>7767W</b>	Flush Base		40 3/4"	4"	-	-	-	-	14#	\$353
<b>77671</b>	Deep-Drawer File		40 3/4"	7 3/16"	28 3/8"	37"	4 3/4"	26"	65#	\$1406
<b>7764</b>	Two-Drawer File		40 3/4"	7 3/16"	28 3/8"	37"	2"	25 3/4"	78#	\$1371
<b>7890X</b>	Sanitary Base Legs		41"	6"	28 5/8"	-	-	-	15#	\$302
<b>7890Y</b>	Sanitary Base Legs		41"	19 3/8"	28 5/8"	-	-	-	45#	\$648



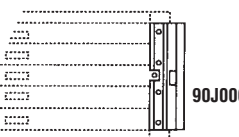
For 30" x 42" Sheets			Overall Unit Sizes			Inside Drawer Sizes			Wt.	List Price
			W	H	D	W	H	D		
<b>7768U</b>	Steel Cap		46 3/4"	3/4"	36 1/4"	-	-	-	30#	\$619
<b>7768</b>	Five-Drawer File		46 3/4"	15 3/8"	35 3/8"	43"	2"	32 3/4"	211#	\$2539
<b>7768D</b>	5-Drawer w/Dust Covers		46 3/4"	15 3/8"	35 3/8"	43"	2"	32 3/4"	220#	\$2808
<b>7968</b>	10-Drawer File		46 3/4"	15 3/8"	35 3/8"	43"	5/8"	33"	298#	\$4816
<b>7968D</b>	10-Drawer File, Dust Covers		46 3/4"	15 3/8"	35 3/8"	43"	5/8"	33"	300#	\$5455
<b>7768W</b>	Flush Base		46 3/4"	4"	35 3/8"	-	-	-	16#	\$389
<b>7890X</b>	Sanitary Base Legs		47"	6"	35 5/8"	-	-	-	15#	\$302
<b>7890Y</b>	Sanitary Base Legs		47"	19 3/8"	35 5/8"	-	-	-	45#	\$648



For 36" x 48" Sheets			Overall Unit Sizes			Inside Drawer Sizes			Wt.	List Price
			W	H	D	W	H	D		
<b>7769U</b>	Steel Cap		53 3/4"	3/4"	42 1/2"	-	-	-	45#	\$799
<b>7769</b>	Five-Drawer File		53 3/4"	15 3/8"	41 3/8"	50"	2"	38 3/4"	257#	\$3069
<b>7769D</b>	5-Drawer w/Dust Covers		53 3/4"	15 3/8"	41 3/8"	50"	2"	38 3/4"	267#	\$3331
<b>7969</b>	10-Drawer File		53 3/4"	15 3/8"	41 3/8"	50"	5/8"	39"	365#	\$5792
<b>7969D</b>	10-Drawer File, Dust Covers		53 3/4"	15 3/8"	41 3/8"	50"	5/8"	39"	375#	\$6587
<b>7769W</b>	Flush Base		53 3/4"	4"	41 3/8"	-	-	-	18#	\$471
<b>7890X</b>	Sanitary Base Legs		54"	6"	41 5/8"	-	-	-	15#	\$302
<b>7890Y</b>	Sanitary Base Legs		54"	19 3/8"	41 5/8"	-	-	-	45#	\$648

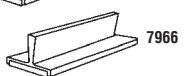


File Lock Description	Wt.	List Price
<b>90J006</b> Locking Device, steel latch fits all 5- and 10- drawer steel files	2#	\$102



### Partitions for Metal Plan Files (Black only)

<b>7965</b> Plastic, magnetic divider for all steel 5-drawer files 6" x 1 5/8"W x 1 5/8" H	6 per pack	1#	\$60
<b>7966</b> Plastic, magnetic divider for all steel 10-drawer files 6"L x 1 5/8"W x 3/4"H	6 per pack	1#	\$41





**HAMILTON REGULAR SERIES PLAN FILES SPECIFICATIONS (NOTE: Not on GSA)**

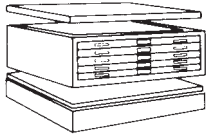
Interlocking steel plan files are designed for ease of stacking. Drawers have front plan depressor and rear hood to keep documents flat and orderly. Drawers with dust covers are optional. May be integrated with Mayline files. Able to be stacked three high.

**File physical paper capacity:** 1000 sheets vellum per file.  
100 sheets vellum per drawer in a 10 drawer file.  
200 sheets vellum per drawer in a 5 drawer file.

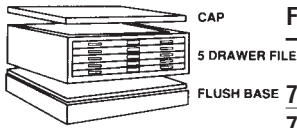
**File weight capacity:** 20 lbs. (9.1 kg) per drawer in a 10 drawer file evenly distributed.  
40 lbs. (18.2 kg) per drawer in a 5 drawer file evenly distributed.

**Model No.****For 24" x 36" Sheets**

		Overall Unit Sizes			Inside Drawer Sizes			Wt.	List Price
		W	H	D	W	H	D		
<b>5J1</b>	Flat Cap	40 3/4"	3 1/4"	29 1/4"	-	-	-	25#	\$512
<b>5J15</b>	Five-Drawer File	40 3/4"	15 3/8"	28 3/8"	37"	2"	25 3/4"	171#	\$2288
<b>5J15D</b>	Five-Drawer w/Dust Covers	40 3/4"	15 3/8"	28 3/8"	37"	2"	25 3/4"	178#	\$2545
<b>5J117</b>	Flush Base	40 3/4"	4"	28 3/8"	-	-	-	14#	\$353

**For 30" x 42" Sheets**

		Overall Unit Sizes			Inside Drawer Sizes			Wt.	List Price
		W	H	D	W	H	D		
<b>6J1</b>	Flat Cap	46 3/4"	3 1/4"	36 1/4"	-	-	-	30#	\$619
<b>6J15</b>	Five-Drawer File	46 3/4"	15 3/8"	35 3/8"	43"	2"	32 3/4"	211#	\$2620
<b>6J15D</b>	Five-Drawer w/Dust Covers	46 3/4"	15 3/8"	35 3/8"	43"	2"	32 3/4"	220#	\$2890
<b>6J117</b>	Flush Base	46 3/4"	4"	35 3/8"	-	-	-	16#	\$389

**For 36" x 48" Sheets**

		Overall Unit Sizes			Inside Drawer Sizes			Wt.	List Price
		W	H	D	W	H	D		
<b>7J1</b>	Flat Cap	53 3/4"	3 1/4"	42 1/4"	-	-	-	45#	\$799
<b>7J15</b>	Five-Drawer File	53 3/4"	15 3/8"	41 3/8"	50"	2"	38 3/4"	257#	\$3142
<b>7J15D</b>	Five-Drawer w/Dust Covers	53 3/4"	15 3/8"	41 3/8"	50"	2"	38 3/4"	268#	\$3412
<b>7J117</b>	Flush Base	53 3/4"	4"	41 3/8"	-	-	-	18#	\$471
<b>7890X</b>	Base Legs (set of 4)	-	6"	-	-	-	-	15#	\$302
<b>7890Y</b>	Base Legs (set of 4)	-	19 3/8"	-	-	-	-	45#	\$648

**MUSEUM FILES SPECIFICATIONS**

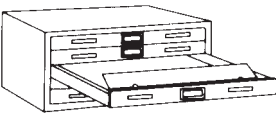
Self-contained Museum Files have integral cap and can be bolted together for stacking. Drawers have front metal plan depressor and rear hood to keep documents flat and orderly. Has fully enclosed drawer cabinet bottom. Drawer suspension uses greaseless nylon rimmed ball bearings to eliminate metal to metal contact and abrasion. Paint finish specially formulated to prevent outgassing. Optional high base supports one file. Able to stack three files on flush base.

**File physical paper capacity:** 1000 sheets vellum per file.  
100 sheets vellum per drawer in a 10 drawer file.  
200 sheets vellum per drawer in a 5 drawer file.

**File weight capacity:** 20 lbs. (9.1 kg) per drawer in a 10 drawer file evenly distributed.  
40 lbs. (18.2 kg) per drawer in a 5 drawer file evenly distributed.

**Model No.****For 24" x 36" Sheets**

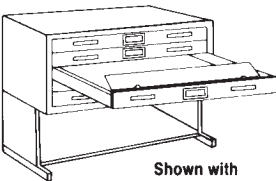
		Overall Unit Sizes			Inside Drawer Sizes			Wt.	List Price
		W	H	D	W	H	D		
<b>7667</b>	Five-Drawer File	40 3/4"	15 3/8"	28 3/8"	37"	2"	25 3/4"	175#	\$2610
<b>7677</b>	Ten-Drawer File	40 3/4"	15 3/8"	28 3/8"	37"	5/8"	25 3/4"	345#	\$5216
<b>7767W</b>	Flush Base for 7667 & 7677	40 3/4"	4"	28 3/8"	-	-	-	14#	\$353
<b>7877</b>	20" High Base	40 3/4"	20"	28 3/8"	-	-	-	52#	\$736



W  
Shown with Flush Base

**For 30" x 42" Sheets**

		Overall Unit Sizes			Inside Drawer Sizes			Wt.	List Price
		W	H	D	W	H	D		
<b>7668</b>	Five-Drawer File	46 3/4"	15 3/8"	35 3/8"	43"	2"	32 3/4"	225#	\$3009
<b>7678</b>	Ten-Drawer File	46 3/4"	15 3/8"	35 3/8"	43"	5/8"	32 3/4"	445#	\$5449
<b>7768W</b>	Flush Base for 7668 & 7678	46 3/4"	4"	35 3/8"	-	-	-	16#	\$389
<b>7878</b>	20" High Base	46 3/4"	20"	35 3/8"	-	-	-	63#	\$833



Shown with High Base

**For 36" x 48" Sheets**

		Overall Unit Sizes			Inside Drawer Sizes			Wt.	List Price
		W	H	D	W	H	D		
<b>7669</b>	Five-Drawer File	53 3/4"	15 3/8"	41 3/8"	50"	2"	38 3/4"	280#	\$3568
<b>7679</b>	Ten-Drawer File	53 3/4"	15 3/8"	41 3/8"	50"	5/8"	38 3/4"	550#	\$6470
<b>7769W</b>	Flush Base for 7669 & 7679	53 3/4"	4"	41 3/8"	-	-	-	18#	\$471
<b>7879</b>	20" High Base	53 3/4"	20"	41 3/8"	-	-	-	70#	\$918

## PLAN FILES, HORIZONTAL

### WOOD PLAN FILES (NOTE: Not on GSA)

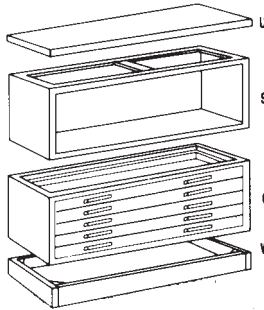
- Drawer fronts and case sides are finished in oak.
- Drawer bottoms are hardboard.
- Antique brass drawer pulls.
- Bases are shipped unassembled.

**File physical paper capacity:** 1000 sheets vellum per file.  
100 sheets vellum per drawer in a 10 drawer file.  
200 sheets vellum per drawer in a 5 drawer file.

**File weight capacity:** 20 lbs. (9.1 kg) per drawer in a 10 drawer file evenly distributed.  
40 lbs. (18.2 kg) per drawer in a 5 drawer file evenly distributed.

#### Model No.

#### Wood Plan Files



	For 24" x 36" Sheets	Overall Unit Sizes			Inside Dimensions			Wt.	List Price
		W	H	D	W	H	D		
<b>7717U</b>	Cap	40 13/16"	3/4"	27 3/4"	-	-	-	30#	\$608
<b>7717C</b>	Five-Drawer File	40 11/16"	13 7/8"	27 3/8"	37 5/8"	17/8"	25"	112#	\$2235
<b>7717W</b>	Flush Base	40 11/16"	4"	25 3/8"	-	-	-	15#	\$583

**Finishes:** Standard - Naturalist, Golden Oak, Unfinished  
\*Both sides of shelf unit.

	For 30" x 42" Sheets	Overall Unit Sizes			Inside Dimensions			Wt.	List Price
		W	H	D	W	H	D		
<b>7718U</b>	Cap	45 5/8"	3/4"	34 3/4"	-	-	-	36#	\$787
<b>7718C</b>	Five-Drawer File	45 1/2"	13 7/8"	34 3/8"	42 3/8"	1 7/8"	32"	140#	\$2410
<b>7718W</b>	Flush Base	45 1/2"	4"	32 3/8"	-	-	-	18#	\$647

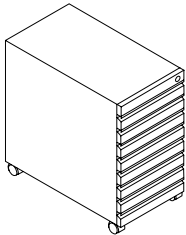
**Finishes:** Standard - Naturalist, Golden Oak, Unfinished  
\*Both sides of shelf unit.

	For 36" x 48" Sheets	Overall Unit Sizes			Inside Dimensions			Wt.	List Price
		W	H	D	W	H	D		
<b>7719U</b>	Cap	53 7/16"	3/4"	40 3/4"	-	-	-	52#	\$966
<b>7719C</b>	Five-Drawer File	53 5/16"	13 7/8"	40 3/8"	50 3/16"	15/8"	38"	172#	\$3187
<b>7719W</b>	Flush Base	53 5/16"	4"	38 3/8"	-	-	-	22#	\$753

**Finishes:** Standard - Naturalist, Golden Oak, Unfinished  
\*Both sides of shelf unit.

### MOBILE B-SIZE DRAWER FILE (NOTE: Not on GSA)

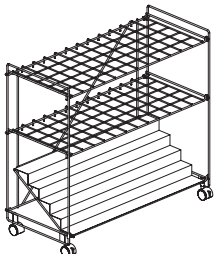
Eight-drawer steel file stores up to 2,500 sheets. All-steel construction. Four casters: 2 locking, 2 non-locking. Gang lock.  
**Standard Finishes:** Sand Beige, White, Black, Gray



#### Mobile B-Size Plan File

Model No.	Overall Unit Sizes			Inside Dimensions			Wt.	List Price
	W	H	D	W	H	D		
<b>9P810</b>	15 1/4"	27 1/8"	27 3/4"	12 3/4"	1 3/4"	23 1/2"	109#	\$1433

### ROLL FILE CARTS



- Two sizes.
- 2" poly dual wheel non-scarring casters.
- Insert included to accommodate various size rolled documents.
- Wire construction.
- Easy, no tools required assembly.
- Black finish only.

Model No.	Description	Length	Height	Depth	Wt.	List Price
❖ <b>RF36</b>	36 - 3 1/2" Openings	34"	32"	15"	28#	\$248
❖ <b>RF60</b>	60 - 2 1/2" Openings	34"	32"	15"	28#	\$260

❖ Indicates Kwik-Ship models.

# EASTWINDS COMPUTER FURNITURE



## EASTWINDS COMPUTER FURNITURE

Eastwinds computer furniture is designed for the technology-driven office and adaptable to a variety of environments.

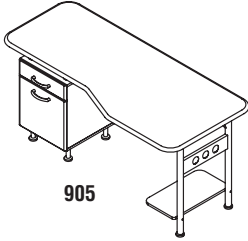
**Framework:** Metallic Gray, powder-coated steel frames.

**Surfaces:** Vacuum-formed thermofoil in Anthracite (ANT) or Medium Cherry (MEC).

All models ship UPS except: 900, 905, 915, 8000DU.

- All models in all finishes are available on both the Kwik-Ship and Fast Freight delivery programs with no quantity limitations.

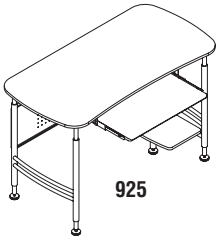
## ESPRESSO PC DESK WITH FILE



- Box-file pedestal.
- Floor-supported CPU shelf.
- Distinctive styling.

Model No.	Dimensions	Wt.	List Price
905	63"W x 28 3/4"D x 29"H	132#	\$722

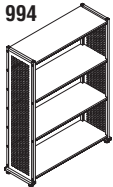
## SANTOS PC DESK



- Slide-out keyboard tray.
- Includes perforated-steel modesty panel.
- CPU shelf mounts to either inside or outside right-hand leg.

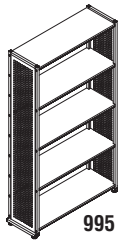
Model No.	Dimensions	Wt.	List Price
925	47 1/4"W x 23 1/2"D x 29"H	46#	\$538

## ACCENT SHELVING



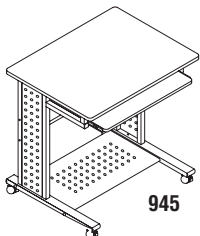
- Perforated-steel uprights with thermofoil shelves.
- Standard with either 3, 4 or 5 fixed shelves.
- 45 lb. weight capacity per shelf.

Model No.	Description	Dimensions	Wt.	List Price
993	3-Shelf	31 1/4"W x 11"D x 31"H	40#	\$225
994	4-Shelf	31 1/4"W x 11"D x 44 1/2"H	50#	\$248
995	5-Shelf	31 1/4"W x 11"D x 58"H	60#	\$260



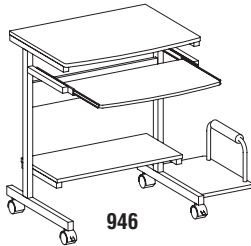
995

## EMPIRE MOBILE PC STATION



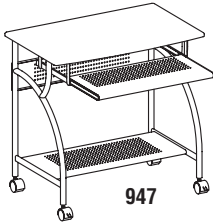
- Slide-out keyboard tray.
- Perforated-steel CPU shelf.
- Totally mobile on 4 casters, 2 locking.
- Available in Anthracite (ANT), Medium Cherry (MEC) and **New** Chestnut (CHS)

Model No.	Dimensions	Wt.	List Price
945	29 3/4"W x 23 1/2"D x 29 3/4"H	41#	\$201

**PORTRAIT PC DESK CART**

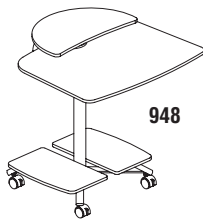
- Slide-out keyboard tray with mouse platform.
- CPU platform mounts left or right.
- Totally mobile on 5 casters, 2 locking.

Model No.	Dimensions	Wt.	List Price
946	36 1/2"W x 19 1/4"D x 31"H	50#	\$201

**ARGO PC WORKSTATION**

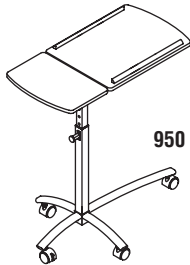
- Perforated steel slide-out keyboard tray and CPU shelf.
- Totally mobile on 4 casters, 2 locking.

Model No.	Dimensions	Wt.	List Price
947	31 1/2"W x 19 3/4"D x 30 1/4"H	48#	\$201

**FPD COMPUTER TABLE**

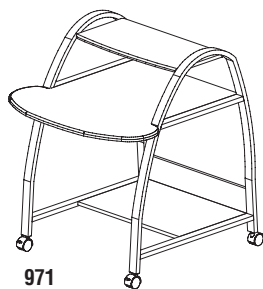
- Raised flat panel platform.
- Printer and CPU platforms.
- CD holder.
- Totally mobile on 4 locking casters.

Model No.	Dimensions	Wt.	List Price
948	28 1/2"W x 26"D x 29 1/2"H	20#	\$201

**LAPTOP CADDY**

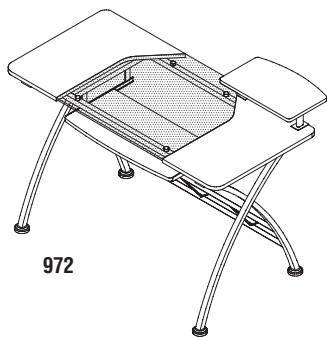
- Height adjustable steel frame.
- Split top tilts for ergonomic use.
- Mobile on 4 locking casters.
- Available in Anthracite (ANT), Medium Cherry (MEC) and **New** Chestnut (CHS)

Model No.	Dimensions	Wt.	List Price
950	29 1/2"W x 20"D x 27-38"H	27#	\$201

**MOBILE ARCH COMPUTER DESK**

- Computer desk for laptop or PC.
- Heavy duty arched leg design for greater strength and stability.
- Top shelf for laptop or screen; middle shelf perfect for keyboard.
- Bottom printer shelf.
- Thermofoil laminate surfaces.
- Metallic-gray powder-coated finish.
- Mobile on 4 casters, 2 locking.

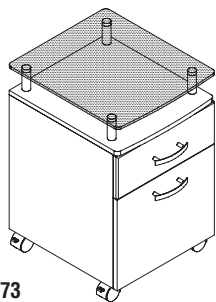
Model No.	Dimensions	Wt.	List Price
971	31 1/2"W x 34 1/2"D x 37"H	42#	\$248

**VISION COMPUTER DESK**

972

- Contemporary glass inset desktop perfect for laptop or screen.
- Smoked black glass inset with Anthracite thermofoil surface; white backed clear glass with Medium Cherry thermofoil surface.
- Sleek steel cross leg design; metallic-gray powder coated finish.
- Top accessory shelf – can locate on the left or right side of the desk top.
- Slide-out keyboard tray: 24"W x 11 3/4"D at center; 10 1/2"D at ends.

Model No.	Dimensions	Wt.	List Price
972	47 1/4"W x 27"D x 34"H	59#	\$331

**VISION GLASS TOP PEDESTAL**

973

- Attractive raised glass top smoked black glass with Anthracite thermofoil surface; white backed clear glass with Medium Cherry thermofoil surface.
- Storage companion for the 972 glass inset top desk.
- One box and one file drawer.
- Standard lock on drawers.
- Mobile on 5 casters, 2 locking.

Model No.	Dimensions	Wt.	List Price
973	17 1/4"W x 18"D x 24"H	51#	\$331

**MACHINE STANDS**

- All models in all finishes are available on both the Kwik-Ship and Fast Freight delivery programs with no quantity limitations.

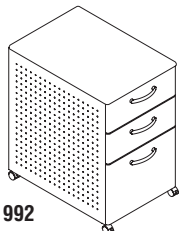
**HIGH WIRE CART**

955

- Multi-purpose cart for small machines, projectors, etc.
- Slide-out wire basket, steel posting shelf and three additional shelves along with adjustable flip-up shelf.
- Mobile on 4 casters, 2 locking.
- 125 lb. load capacity.

Model No.	Dimensions	Wt.	List Price
955*	23 1/2"W x 15"D x 37 1/2"H	22#	\$236

\*Note: Limited quantities available.

**PEDESTALS**

992

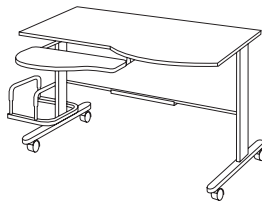
- Attractive thermofoil surface treatments on drawer fronts and tops match workstations.
- Sides feature perforated steel.
- Ball-bearing suspensions for quiet, smooth drawer operation.
- Mobile on 5 casters, 2 locking.

Model No.	Description	Dimensions	Wt.	List Price
992	Box-Box-File	15"W x 22"D x 27 1/2"H	70#	\$372

**SOHO ADJUSTABLE COMPUTER TABLE**

- All frames painted Black.
- Shelves are adjustable to an infinite amount of locations between 14 to 48 inches. No tools required.
- Adjustable Shelves: 32" x 15", Bottom Shelf: 31 1/4" x 11 3/4".
- 2" Casters provided (two locking).
- Easily reconfigures for other family members or office partners.
- Ships UPS.
- Shelves support 100 lbs. each.
- Medium Cherry or Gray surfaces **only**.

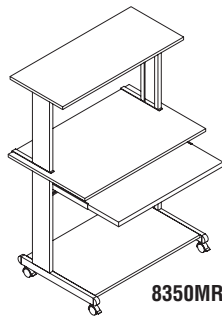
Model No.	Dimensions	Wt.	List Price
<b>8432SO</b>	32"W x 31"D x 50"H, 4 shelves	65#	\$551

**MOBILE COMPUTER WORKTABLE**

- Laminate worksurface.
- Retractable keyboard tray with integrated wrist rest and pencil tray.
- Perforated modesty panel adds strength.
- CPU holder may be mounted on left or right and adjusts to fit CPU towers up to 9 1/2" wide.
- 2" casters provided (two Locking).

Model No.	Dimensions	Wt.	List Price
<b>8100TD</b>	57"W x 23 1/2"D x 29"H	49#	\$538

Available in Gray/Dove Gray, Medium Cherry/Metallic Gray and Anthracite/Metallic Gray **Only**.

**MOBILE MULTIMEDIA COMPUTER WORKSTATION**

- Steel and laminate construction provides strength and durability.
- Full-width retractable platform supports both a keyboard and mouse.
- Large bottom shelf supports CPU towers, left or right.
- 2" casters provided (two Locking).

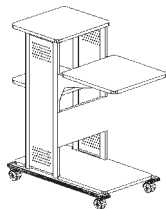
Model No.	Dimensions	Wt.	List Price
<b>8350MR</b>	36 3/4"W x 21 1/4"D x 50"H	72#	\$609

Available in Gray/Dove Gray, Medium Cherry/Metallic Gray and Anthracite/Metallic Gray **Only**.

**PRESENTATION STAND**

- Designed to support laptops, overhead projector, or LCD projector.
- Front surface supporting projectors is adjustable to three positions: 31", 33" and 37"H.
- Standard casters, two locking.

**Standard Finishes:** Black frame with reversible Anthracite/Folkstone surfaces.



Model No.	Dimensions	Wt.	List Price
<b>1010PC</b>	18 1/2"W x 36"D x 38 1/2"H	75#	\$622

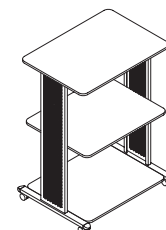
- Top surface is 38 1/2"H providing a comfortable position for standing presentations.
- Rugged steel frame construction with attractive perforated leg detail. All threaded, metal-to-metal connections.

**AUDIO/VISUAL CART**

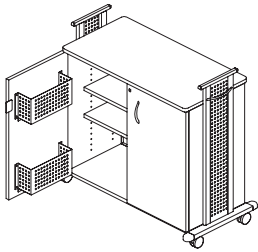
- Designed to support up to 35"TV / Monitor and other A/V equipment.
- All three shelves measure 36 1/2"W x 26"D x 3/4"H.
- Middle shelf adjustable on 2" increments to 5 positions.
- Includes standard safety strap and 4-outlet power module.

**Standard Finishes:** Black frame with reversible Anthracite/Folkstone surfaces.

- Rugged steel frame construction with attractive perforated leg detail. All threaded, metal-to-metal connections.
- Standard 3" dia. Casters, two locking.
- 400 lb. capacity

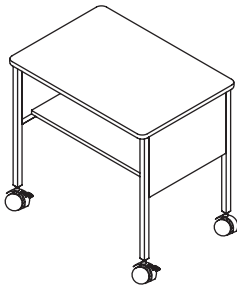


Model No.	Dimensions	Wt.	List Price
<b>1010AV</b>	36 1/2"W x 32"D x 42 3/4"H	91#	\$799

**HOSPITALITY CART**

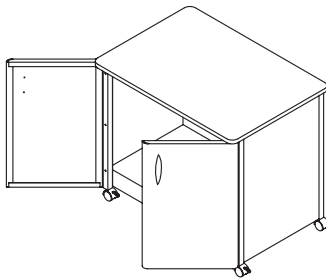
- Consistent design details with the 1010PC and 1010AV.
- Comes standard with two adjustable shelves.
- Locking casters provide easy mobility.
- Left-side door has two perforated steel storage pockets sized perfectly for 2 liter bottles.
- Doors have self-closing cabinet hinges, attractive door pull, and standard lock.
- Handle provided on both left and right legs at a comfortable operating height.
- Easy to assemble using quarter-turn cam fasteners.
- **Standard Finishes:** Black frame with Anthracite surfaces and shelves.

Model No.	Dimensions	Wt.	List Price
1015HC	45 1/2"L x 21 3/4"W x 42 3/4"H	158#	\$972

**THE 2140CA OFFERS A COMPACT WORK SURFACE  
IDEAL FOR WORD PROCESSING EQUIPMENT**

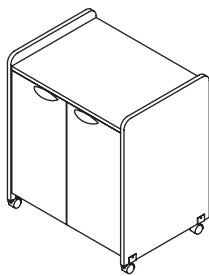
- Steel construction, thermafoil top with a 29"W x 14"D shelf. Provides 11 1/2"H opening.
- Square tubing legs with dual wheel casters, two with locks.
- 200# weight capacity.
- Ships UPS.
- **Finishes:** Anthracite/Metallic Gray, Gray thermafoil with Dove Gray paint or Oak/Putty thermafoil with Putty paint **only**.

Model No.	Dimensions	Wt.	List Price
2140CA	30"W x 21"D x 26 1/2"H	39#	\$278

**MOBILE UTILITY CABINETS WITH STEEL EXTERIOR**

- All steel cabinet with low-pressure laminate top.
- Roll formed steel doors.
- Casters for mobility (2 locking).
- Does not include interior middle shelf.
- 150# weight capacity.
- Ships UPS.
- **Finishes:** Gray low-pressure laminate with Dove Gray paint and Oak low-pressure laminate with Putty paint **only**.

Model No.	Dimensions	Wt.	List Price
2160MU	30"W x 21"D x 26 1/2"H	64#	\$497

**MOBILE UTILITY CABINETS WITH LAMINATE EXTERIOR**

- Top surface is large enough for copiers, fax machines or coffee machines 25 1/2" wide x 20" deep.
- All low-pressure laminate sides, doors and top. Steel back, shelf and bottom.
- Interior shelf adjusts in height in four positions in 2" increments.
- Hinged doors provide 110° swing.
- 1 5/8" dual wheel casters add mobility (two locking).
- 150# weight capacity.
- Ships UPS.
- Surfaces standard in Mahogany and Nebula Gray **only**. Black paint.

Model No.	Dimensions	Wt.	List Price
2110MU	27"W x 20"D x 31"H	89#	\$485





**TERMS AND CONDITIONS FOR ORDERING  
COMMUTE™ CHAIRS, VALORÉ® TSH1F & TSH2F CHAIRS,  
& e5™ CUSHIONS/FABRIC TACKBOARDS WITH C.O.M.**

**C.O.M. (Customer's Own Material)**

The COM fabric must be approved prior to order fulfillment.

1. Complete and submit the authorization request form.
2. Provide 18" by the width of the roll fabric sample with the form.
3. Mayline will provide approval once fabric is accepted.

Upon approval, customer to provide yardage and Purchase Order to:

Mayline Company  
Attn.: COM Dept.  
619 North Commerce  
Sheboygan, WI 53081

**Orders requesting COM will be given a 20 working-day lead time from the date the material is received at Mayline.**

Mayline reserves the right to cancel an order at any time if C.O.M. is inadequate for any reason. Unless otherwise noted, the thread color that most closely matches the fabric will be used.

**Order Size & Pricing**

For COM orders in excess of 50 chairs or cushions, additional lead time will apply. Please contact Customer Service. COM Product is priced at Fabric Grade 2 and incurs a 10% of list upcharge.

**Errors and Omissions**

All quotations, acknowledgements and invoices are subject to corrections for any errors and omissions.

**Extra Material**

Mayline is not responsible for yardage submitted that is in excess of the required amount. Excess material will not be returned and will be discarded.

**Cancellations/Change Orders**

Orders which have entered any stage of production **may not be changed or cancelled.**

**Warranty:**

Mayline will warrant the furniture components based on their standard warranty. COM textiles are not warranted or covered under CA117 or CA133 approvals.

**Fabric Flaws:**

Mayline is not responsible for defects, inaccuracies, or other flaws in the fabric. Notification will be given in the event flaws are discovered.

**Contact COM Department at 920-457-5537, ext. 315, if you have questions.**

# MAYLINE®

## COM – Customer’s Own Material Order Form (Please Photocopy)

For: Commute™ Chairs, Valoré® TSH1F & TSH2F Chairs, and e5™ Cushions/Fabric Tackboards

Please complete this form, attach a fabric swatch, and send a fabric sample (18” by the width of the roll) to:

Mayline Company  
 Attn: COM Department  
 619 N. Commerce St.  
 Sheboygan, WI 53081

DATE MAILED: \_\_\_\_\_

**Cancellation Policy: Orders which have entered any stage of production may not be changed or cancelled.**

Yardage Request: Yes No (Circle One)

-- OR --

Customer PO# \_\_\_\_\_

### CUSTOMER INFORMATION

Company Name \_\_\_\_\_

Contact \_\_\_\_\_

Billing address \_\_\_\_\_

Telephone \_\_\_\_\_

City \_\_\_\_\_ State \_\_\_\_\_ Zip \_\_\_\_\_

Email Address \_\_\_\_\_

### MATERIAL INFORMATION

Material Manufacturer \_\_\_\_\_

Usable width in inches \_\_\_\_\_

Fabric Name/Number \_\_\_\_\_

Fabric Source (Mill) \_\_\_\_\_

Fabric Color \_\_\_\_\_

Reversible? Yes or No (please circle)

Pattern Repeat \_\_\_\_\_

Railroad?: Yes or No (please circle)

### PRODUCT INFORMATION: CIRCLE PRODUCT TYPE (Chair - Cushions - Tackboards)

#### For Chairs:

Carton Qty \_\_\_\_\_

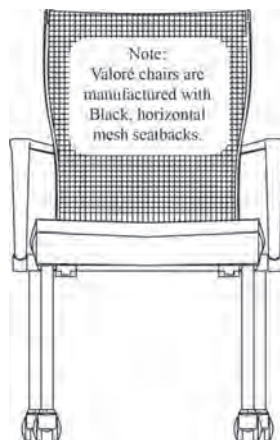
Frame Color \_\_\_\_\_

(Valoré: 2 chairs/box)

(Black or Chrome)

Commute: 1 chair/box)


Attach a swatch to chair to indicate face side and desired direction.



e5 Cushions	e5 Tackboards
----------------	------------------

# Index

Model No.	Page	List Price	Model No.	Page	List Price	Model No.	Page	List Price
605	78	\$2,017	768	297	\$387	7669	324	\$3,568
610	78	\$2,036	769	297	\$403	7677	324	\$5,216
615	78	\$2,103	775	298	\$73	7678	324	\$5,449
650	78	\$2,455	776	298	\$78	7679	324	\$6,470
700	293	\$1,288	777	298	\$282	7706	314	\$2,624
701	293	\$1,378	778	298	\$340	7707	314	\$2,830
702	293	\$1,422	779	298	\$415	7724	314	\$1,227
703	293	\$1,529	780	298	\$123	7726	314	\$1,250
704	293	\$1,677	781	298	\$165	7732	312	\$1,248
705	294	\$611	782	298	\$222	7734	312	\$1,339
706	294	\$659	783	298	\$123	7736	312	\$1,411
707	294	\$749	784	298	\$222	7737	312	\$1,708
708	294	\$673	785	298	\$147	7738	312	\$1,874
709	294	\$743	786	298	\$240	7739	312	\$2,082
710	294	\$800	787	294	\$79	7760	199	\$2,143
711	294	\$743	787	301	\$79	7760	313	\$2,143
712	294	\$811	788	294	\$85	7764	323	\$1,371
713	294	\$878	788	301	\$85	7767	323	\$2,215
714	294	\$1,105	789	294	\$147	7768	323	\$2,539
715	294	\$1,148	789	301	\$147	7769	323	\$3,069
716	294	\$1,258	790	298	\$87	7772	312	\$2,031
717	294	\$551	791	297	\$733	7773	312	\$2,206
718	295	\$619	792	297	\$799	7877	270	\$736
719	295	\$689	793	297	\$822	7877	321	\$736
720	295	\$963	797	294	\$494	7877	324	\$736
721	295	\$298	798	294	\$512	7878	270	\$833
722	295	\$322	799	297	\$172	7878	321	\$833
723	295	\$378	905	326	\$722	7878	324	\$833
724	297	\$733	925	326	\$538	7879	270	\$918
725	297	\$799	945	326	\$201	7879	321	\$918
726	297	\$822	946	327	\$201	7879	324	\$918
727	293	\$1,333	947	327	\$201	7965	323	\$60
728	293	\$1,436	948	327	\$201	7966	323	\$41
729	293	\$1,588	950	327	\$201	7967	323	\$4,254
730	295	\$482	955	328	\$236	7968	323	\$4,816
731	295	\$538	971	327	\$248	7969	323	\$5,792
732	295	\$618	972	328	\$331	9301	319	\$872
737	295	\$88	973	328	\$331	9302	319	\$937
738	295	\$194	992	328	\$372	9303	319	\$998
739	295	\$238	993	326	\$225	9304	319	\$1,117
740	295	\$269	994	326	\$248	9305	319	\$1,193
742	296	\$193	995	326	\$260	9308	320	\$332
744	296	\$232	1218	287	\$129	9309	319	\$95
745	296	\$273	1219	291	\$129	9311	319	\$552
746	296	\$330	2522	209	\$483	9312	319	\$613
747	296	\$250	2528	209	\$494	9313	319	\$680
748	296	\$292	2547	209	\$505	9314	319	\$800
749	296	\$342	2610	215	\$353	9315	319	\$879
750	296	\$62	2660	215	\$353	9319	319	\$96
751	296	\$68	3117	315	\$147	9321	319	\$1,370
752	296	\$232	3200	209	\$417	9322	319	\$1,430
753	296	\$273	4021	213	\$596	9323	319	\$1,493
754	296	\$317	6043	78	\$1,778	9324	319	\$1,613
755	296	\$250	6045	78	\$1,778	9325	319	\$1,693
756	296	\$292	6047	78	\$1,778	9329	319	\$652
757	296	\$325	6049	77	\$1,045	9390	320	\$450
758	296	\$82	7305	318	\$50	9391	320	\$537
759	296	\$94	7306	318	\$43	9397	320	\$376
763	297	\$771	7307	318	\$102	9398	320	\$164
764	297	\$966	7308	318	\$43	9429	319	\$701
765	297	\$282	7667	324	\$2,610	9552	318	\$31
767	297	\$320	7668	324	\$3,009	10550	320	\$53

DESKING

CASEGOODS

CONFERENCE & TRAINING TABLES

SEATING

STORAGE & FILING

SPECIALTY SOLUTIONS

COM FORMS

PRODUCT INDEX

## Index

Model No.	Page	List Price	Model No.	Page	List Price	Model No.	Page	List Price
10551	320	\$27	350101	303	\$233	3203072	289	\$596
10552	320	\$38	350117	303	\$17	3203072	299	\$596
10553	320	\$31	350118	303	\$126	3203084	289	\$656
11124	306	\$840	350119	303	\$220	3203084	299	\$656
11145	306	\$611	350142	303	\$185	3203660	289	\$580
11148	306	\$1,376	350142	305	\$185	3203660	299	\$580
11160	306	\$1,528	350150	303	\$129	3203672	289	\$607
19400	36	\$87	350151	303	\$167	3203672	299	\$607
19400	45	\$87	350152	303	\$223	3203684	289	\$666
19400	63	\$87	350173	302	\$384	3203684	299	\$666
21100	305	\$107	350181	302	\$344	3302416	288	\$194
21101	305	\$156	350190	203	\$210	3302416	289	\$194
21102	306	\$100	350212	288	\$83	3302416	300	\$194
21103	305	\$206	350212	289	\$83	3302420	300	\$210
21104	305	\$225	350212	300	\$83	3303016	288	\$234
21105	305	\$254	350214	289	\$338	3303016	289	\$234
21106	305	\$322	350214	300	\$338	3303016	300	\$234
21107	305	\$93	350215	289	\$138	3303020	300	\$261
21124	305	\$1,204	350215	300	\$138	3303616	289	\$302
21145	305	\$895	350216	300	\$52	3303616	300	\$302
21148	305	\$2,068	350217	302	\$137	3303620	300	\$318
21172	305	\$2,580	350218	300	\$45	3304816	289	\$438
31124	299	\$2,251	350220	289	\$175	3304816	300	\$438
31148	299	\$3,815	350220	301	\$175	3304820	300	\$455
31172	299	\$5,643	350221	296	\$156	3305416	289	\$463
38363	247	\$1,764	350318	300	\$94	3305416	300	\$463
38423	247	\$1,825	350440	303	\$929	3305420	300	\$483
38483	247	\$1,885	350445	303	\$1,184	3306016	289	\$491
49263	84	\$732	350450	303	\$1,246	3306016	300	\$491
49264	84	\$732	350460	303	\$840	3306020	300	\$517
49265	84	\$732	350465	303	\$1,095	3312416	300	\$292
62363	246	\$1,901	350470	303	\$1,154	3312420	300	\$304
62423	246	\$1,982	350480	303	\$1,048	3313016	300	\$343
62483	246	\$2,108	350485	303	\$1,303	3313020	300	\$357
77671	323	\$1,406	350490	303	\$1,363	3313616	300	\$386
83363	246	\$2,163	721872	311	\$199	3313620	300	\$401
83423	246	\$2,399	770048	311	\$230	3322421	300	\$328
83483	246	\$2,572	770060	311	\$344	3323021	300	\$343
90145	254	\$27	770072	311	\$480	3323621	300	\$349
90145	281	\$27	772448	311	\$134	3324821	300	\$374
90145	291	\$27	773060	311	\$180	3326021	300	\$403
90154	281	\$5	773072	311	\$209	3332416	302	\$307
90155	281	\$5	773096	311	\$285	3332420	302	\$314
90225	290	\$165	911085	248	\$50	3333016	302	\$318
93316	320	\$230	911785	254	\$43	3333020	302	\$331
93326	320	\$262	911785	281	\$43	3333616	302	\$331
93336	320	\$289	911785	291	\$43	3333620	302	\$342
93346	320	\$349	911884	281	\$5	3352414	302	\$947
93356	320	\$387	911885	281	\$5	3353014	302	\$963
242229	58	\$1,229	2202418	305	\$169	3353614	302	\$991
243029	58	\$665	2204818	305	\$253	3402430	288	\$466
243629	58	\$706	2207218	305	\$281	3402430	289	\$466
244829	58	\$816	3202460	288	\$545	3402430	301	\$466
246029	58	\$923	3202460	289	\$545	3402436	301	\$630
247229	58	\$1,034	3202460	299	\$545	3403030	288	\$528
250100	295	\$119	3202472	289	\$585	3403030	289	\$528
250100	305	\$119	3202472	299	\$585	3403030	301	\$528
250101	295	\$202	3202484	289	\$642	3403030	302	\$528
250101	305	\$202	3202484	299	\$642	3403036	301	\$673
350100	288	\$135	3203060	288	\$560	3403630	289	\$585
350100	289	\$135	3203060	289	\$560	3403630	301	\$585
350100	303	\$135	3203060	299	\$560	3403636	301	\$747

# Index

Model No.	Page	List Price	Model No.	Page	List Price	Model No.	Page	List Price
3403636	302	\$747	1114SDP06	280	\$208	2448RE	190	\$515
3404830	289	\$699	1115P06	255	\$143	2460RE	190	\$600
3404830	301	\$699	1115P06	280	\$143	2472RE	190	\$687
3404836	301	\$837	1212P06	250	\$132	2504K	282	\$173
3405430	301	\$799	1212P06	255	\$132	2J1	322	\$528
3405436	301	\$1,045	1212P06	280	\$132	2J100	322	\$8,767
3406030	289	\$911	1214P06	280	\$148	2J117	322	\$504
3406030	301	\$911	1214SDP06	280	\$223	2J15	322	\$2,900
3406036	301	\$1,047	1215P06	255	\$148	2J15D	322	\$3,173
3407130	301	\$1,000	1215P06	280	\$148	3352414L	302	\$1,002
3407230	289	\$993	12ADJARM	214	\$149	3353014L	302	\$1,019
3407230	301	\$993	12ADJARM	213	\$149	3353614L	302	\$1,061
3407236	301	\$1,184	12ADJARM	215	\$149	3402430L	301	\$607
3409030	289	\$1,258	1412P06	250	\$179	3402430LE	301	\$861
3409030	301	\$1,258	1412P06	255	\$179	3402436L	301	\$717
3409036	301	\$1,464	1412P06	280	\$179	3402436LE	301	\$941
3434830	302	\$1,020	1415P06	255	\$196	3403030L	301	\$691
3434836	302	\$1,132	1415P06	280	\$196	3403030L	302	\$691
7355100	318	\$89	1505TL	47	\$300	3403030LE	301	\$950
7355300	318	\$239	1515P06	255	\$217	3403030LE	302	\$950
0412P06	250	\$78	1515P06	280	\$217	3403036L	301	\$920
0412P06	255	\$78	1612P06	250	\$208	3403036LE	301	\$1,026
0412P06	280	\$78	1612P06	255	\$208	3403630L	301	\$758
0512P06	250	\$85	1612P06	280	\$208	3403630LE	301	\$1,026
0512P06	255	\$85	1615P06	255	\$234	3403636L	301	\$893
0512P06	280	\$85	1615P06	280	\$234	3403636L	302	\$893
0515P06	255	\$89	1801AG	214	\$994	3403636LE	301	\$1,178
0515P06	280	\$89	1801AGL	214	\$1,118	3403636LE	302	\$1,178
0612P06	250	\$88	1860RE	190	\$565	3404830L	301	\$923
0612P06	255	\$88	1872RE	190	\$618	3404830LE	301	\$1,206
0612P06	280	\$88	19503ATW	293	\$545	3404836L	301	\$1,084
0712P06	250	\$90	19503ATW	295	\$545	3404836LE	301	\$1,435
0712P06	255	\$90	19503TA	35	\$545	3405430L	301	\$1,043
0712P06	280	\$90	19503TA	45	\$545	3405430LE	301	\$1,373
0812P06	250	\$106	19503TA	68	\$545	3405436L	301	\$1,224
0812P06	255	\$106	19503TA	80	\$545	3405436LE	301	\$1,613
0812P06	280	\$106	19503TA	84	\$545	3406030L	301	\$1,158
0912P06	250	\$116	19503TA	99	\$545	3406030LE	301	\$1,465
0912P06	255	\$116	19503TA	114	\$545	3406036L	301	\$1,361
0912P06	280	\$116	19503TA	155	\$545	3406036LE	301	\$1,795
0915P06	255	\$135	19503TA	168	\$545	3407130L	301	\$1,277
0915P06	280	\$135	19503TA	289	\$545	3407130LE	301	\$1,450
1010AV	329	\$799	19503TA	303	\$545	3407230L	301	\$1,258
1010PC	202	\$622	1J1	322	\$422	3407230LE	301	\$1,579
1010PC	329	\$622	1J100	322	\$7,357	3407236L	301	\$1,484
1012P06	250	\$123	1J117	322	\$398	3407236LE	301	\$1,958
1012P06	255	\$123	1J15	322	\$2,449	3409030L	301	\$1,618
1012P06	280	\$123	1J15D	322	\$2,712	3409030LE	301	\$1,973
1015HC	202	\$972	20627R3	315	\$4,945	3409036L	301	\$1,901
1015HC	330	\$972	20628R3	315	\$5,301	3409036LE	301	\$2,514
1015P06	255	\$142	2110MU	330	\$485	3434830L	302	\$1,239
1015P06	280	\$142	211CNR	305	\$2,728	3434830LE	302	\$1,450
1020FTC	203	\$1,339	2140CA	330	\$278	3434836L	302	\$1,355
1050LT	202	\$722	2160MU	330	\$497	3434836LE	302	\$1,540
10GA	185	\$50	2200C	310	\$296	350213L	288	\$272
10GA	192	\$50	2200FC	310	\$356	350213L	289	\$272
10GA	203	\$50	2300C	310	\$283	350213L	300	\$272
1112P06	250	\$130	2300SC	310	\$448	350213R	288	\$272
1112P06	255	\$130	2424AG	214	\$752	350213R	289	\$272
1112P06	280	\$130	2424AGL	214	\$878	350213R	300	\$272
1112P06	288	\$130	2448CE	190	\$721	350320L	300	\$272
1114P06	280	\$143	2448HE	190	\$428	350320R	300	\$272

DESKING  
CASEGOODS  
CONFERENCE & TRAINING TABLES  
SEATING  
STORAGE & FILING  
SPECIALTY SOLUTIONS  
COM FORMS  
PRODUCT INDEX



# Index

Model No.	Page	List Price
350321L	301	\$94
350321R	301	\$94
350325L	300	\$134
350325R	300	\$134
350327L	301	\$93
350327R	301	\$93
3665DA1	252	\$3,400
3665DB1	252	\$3,507
3665DC1	252	\$3,446
3665DD1	252	\$3,450
3665DE1	252	\$3,210
3665DX1	254	\$2,597
3665NA1	252	\$2,591
3665NB1	252	\$2,699
3665NC1	252	\$2,433
3665ND1	252	\$2,643
3665NE1	252	\$2,578
3665NX1	254	\$1,853
3680DA1	252	\$3,899
3680DB1	252	\$4,018
3680DC1	252	\$3,699
3680DD1	252	\$3,899
3680DE1	252	\$3,643
3680DX1	254	\$2,817
3680NA1	252	\$3,021
3680NB1	252	\$3,143
3680NC1	252	\$2,826
3680ND1	252	\$3,022
3680NE1	252	\$2,768
3680NX1	254	\$1,926
3680WS1	253	\$2,942
3680WS1LAM	253	\$3,103
3704K	282	\$223
3704K	291	\$223
38363K	247	\$1,827
3836A3	247	\$2,119
3836A3K	247	\$2,182
38423K	247	\$1,887
3842A3	247	\$2,200
3842A3K	247	\$2,262
38483K	247	\$1,948
3848A3	247	\$2,286
3848A3K	247	\$2,349
3J1	322	\$648
3J100	322	\$10,115
3J117	322	\$604
3J15	322	\$3,329
3J15D	322	\$3,602
4005AG	213	\$596
4005AG	215	\$596
4019AG	213	\$710
4265DA1	252	\$3,852
4265DB1	252	\$4,022
4265DC1	252	\$3,691
4265DD1	252	\$3,910
4265DE1	252	\$3,482
4265DX1	254	\$2,826
4265NA1	252	\$2,911
4265NB1	252	\$3,129
4265NC1	252	\$2,793
4265ND1	252	\$3,016
4265NE1	252	\$2,597

Model No.	Page	List Price
4265NX1	254	\$1,905
4280DA1	252	\$4,418
4280DB1	252	\$4,655
4280DC1	252	\$4,251
4280DD1	252	\$4,454
4280DE1	252	\$4,146
4280DX1	254	\$3,071
4280NA1	252	\$3,404
4280NB1	252	\$3,677
4280NC1	252	\$3,272
4280ND1	252	\$3,478
4280NE1	252	\$2,971
4280NX1	254	\$2,071
4280WS1	253	\$3,238
4280WS1LAM	253	\$3,418
4904K	282	\$276
4904K	291	\$276
4J1	322	\$1,812
4J15D	322	\$10,085
4J17	322	\$1,561
5000C	310	\$391
5000FC	310	\$366
502STB	79	\$1,913
502TB	79	\$1,938
503STB	79	\$1,981
503TB	79	\$2,008
504STB	79	\$2,597
504TB	79	\$2,636
505L	79	\$2,267
505SL	79	\$2,213
505STB	79	\$2,659
505TB	79	\$2,699
505WL	79	\$2,971
506STB	79	\$2,590
506TB	79	\$2,630
507STB	79	\$2,590
507TB	79	\$2,630
508TB	79	\$2,008
509TB	79	\$2,078
510L	79	\$2,308
510SL	79	\$2,253
510WL	79	\$3,028
515L	79	\$2,372
515SL	79	\$2,316
515WL	79	\$3,102
520L	79	\$2,502
520SL	79	\$2,446
520WL	79	\$3,233
525L	79	\$2,549
5300L	80	\$3,723
5300SL	80	\$3,660
5300WL	80	\$4,442
5310L	80	\$3,922
5310SL	80	\$3,859
5310WL	80	\$4,641
5320L	80	\$3,236
5320SL	80	\$3,172
5320WL	80	\$3,839
5330L	80	\$3,236
5330SL	80	\$3,172
5330WL	80	\$3,839
537MP	79	\$120

Model No.	Page	List Price
543MP	79	\$131
549MP	79	\$329
561MP	79	\$365
562MP	79	\$296
5J1	324	\$512
5J117	324	\$353
5J15	324	\$2,288
5J15D	324	\$2,545
604LT	77	\$1,545
604LTL	77	\$1,664
605L	78	\$2,169
605LT	77	\$1,592
605LTL	77	\$1,719
605LTW	77	\$2,169
605LTWL	77	\$2,296
605W	78	\$2,857
605WL	78	\$3,033
609LT	77	\$1,638
609LTL	77	\$1,764
610L	78	\$2,246
610LT	77	\$1,668
610LTL	77	\$1,804
610LTW	77	\$2,211
610LTWL	77	\$2,347
610W	78	\$2,929
610WL	78	\$3,101
615L	78	\$2,320
615S	78	\$2,036
615SL	78	\$2,189
615W	78	\$2,970
615WL	78	\$3,188
62363K	246	\$1,964
6236A3	246	\$2,542
6236A3K	246	\$2,605
6236B3	246	\$2,720
6236B3K	246	\$2,783
62423K	246	\$2,045
6242A3	246	\$2,662
6242A3K	246	\$2,724
6242B3	246	\$2,846
6242B3K	246	\$2,908
62483K	246	\$2,170
6248A3	246	\$2,831
6248A3K	246	\$2,894
6248B3	246	\$3,110
6248B3K	246	\$3,175
6310C	310	\$552
6310SC	310	\$404
6446AG	214	\$1,121
6446AGL	214	\$1,249
645LT	77	\$1,692
645LTL	77	\$1,810
650L	78	\$2,700
650LT	77	\$1,777
650LTL	77	\$1,914
650S	78	\$2,389
650SL	78	\$2,541
650SW	78	\$3,187
650SWL	78	\$3,326
650W	78	\$3,213
650WL	78	\$3,340
652LTW	77	\$2,248

# Index

Model No.	Page	List Price	Model No.	Page	List Price	Model No.	Page	List Price
652LTWL	77	\$2,383	7253SE	318	\$315	7734B	312	\$1,693
655LT	77	\$1,768	7255A	317	\$376	7734BLT	315	\$6,437
655LTL	77	\$1,895	7255ASE	317	\$512	7736A	312	\$1,596
655LTW	77	\$2,373	7255SE	318	\$375	7736B	312	\$1,797
655LTWL	77	\$2,530	7260A	316	\$256	7736BLT	315	\$6,801
657LTW	77	\$2,399	7261A	316	\$271	7737A	312	\$1,763
657LTWL	77	\$2,556	7261ASE	317	\$401	7737B	312	\$1,932
670W	78	\$3,367	7262A	316	\$284	7738A	312	\$2,005
670WL	78	\$3,587	7262ASE	317	\$418	7738B	312	\$2,187
680W	78	\$3,623	7263A	316	\$302	7739A	312	\$2,156
680WL	78	\$3,858	7263ASE	317	\$433	7739B	312	\$2,387
685LTW	77	\$2,316	7265A	316	\$393	7767D	323	\$2,477
685LTWL	77	\$2,447	7265ASE	317	\$525	7767U	323	\$512
687LTW	77	\$2,341	7271A	316	\$352	7767W	323	\$353
687LTWL	77	\$2,471	7271ASE	316	\$457	7767W	324	\$353
690W	78	\$3,793	7272A	316	\$368	7768D	323	\$2,808
690WL	78	\$4,027	7272ASE	316	\$487	7768U	323	\$619
6J1	324	\$619	7273A	316	\$419	7768W	323	\$389
6J117	324	\$389	7273ASE	316	\$548	7768W	324	\$389
6J15	324	\$2,620	7275A	316	\$551	7769D	323	\$3,331
6J15D	324	\$2,890	7275ASE	316	\$730	7769U	323	\$799
700B	293	\$1,633	727B	293	\$2,104	7769W	323	\$471
700E	293	\$1,739	727E	293	\$2,288	7769W	324	\$471
700H	293	\$1,422	727H	293	\$1,467	7772A	312	\$2,385
701B	293	\$1,677	728B	293	\$2,150	7773A	312	\$2,562
701E	293	\$1,903	728E	293	\$2,308	77CRND	311	\$421
701H	293	\$1,482	728H	293	\$1,572	7867C	270	\$1,831
702B	293	\$2,128	729B	293	\$3,295	7867C	321	\$1,831
702E	293	\$2,320	729E	293	\$2,172	7867D	270	\$2,033
702H	293	\$1,529	729H	293	\$1,811	7867D	321	\$2,033
703B	293	\$2,172	7301A	318	\$93	7867W	270	\$319
703E	293	\$2,335	7301B	318	\$99	7867W	321	\$319
703H	293	\$1,662	7301C	318	\$106	7868C	270	\$2,127
704B	293	\$3,386	7302A	318	\$113	7868C	321	\$2,127
704E	293	\$2,308	7302B	318	\$120	7868D	270	\$2,330
704H	293	\$1,811	7302C	318	\$123	7868D	321	\$2,330
717E	294	\$721	7302D	317	\$157	7868W	270	\$354
717H	294	\$619	7355A	318	\$29	7868W	321	\$354
717T	294	\$689	7355B	318	\$39	7869C	270	\$2,537
717TE	294	\$867	7355C	318	\$52	7869C	321	\$2,537
717TH	294	\$758	7403AP	315	\$427	7869D	270	\$2,742
718E	295	\$822	7706A	314	\$2,911	7869D	321	\$2,742
718H	295	\$689	7706B	314	\$3,056	7869W	270	\$427
718T	295	\$758	7707A	314	\$3,116	7869W	321	\$427
718TE	295	\$938	7707B	314	\$3,279	7890X	270	\$302
718TH	295	\$822	7717C	325	\$2,235	7890X	321	\$302
719E	295	\$867	7717U	325	\$608	7890X	322	\$302
719H	295	\$758	7717W	325	\$583	7890X	323	\$302
719T	295	\$822	7718C	325	\$2,410	7890X	324	\$302
719TE	295	\$1,048	7718U	325	\$787	7890Y	270	\$648
719TH	295	\$893	7718W	325	\$647	7890Y	321	\$648
720E	295	\$1,157	7719C	325	\$3,187	7890Y	322	\$648
720H	295	\$1,031	7719U	325	\$966	7890Y	323	\$648
7250A	317	\$240	7719W	325	\$753	7890Y	324	\$648
7251A	317	\$256	7724A	314	\$1,461	7967D	323	\$4,806
7251ASE	317	\$374	7724B	314	\$1,557	7968D	323	\$5,455
7251SE	318	\$262	7724WC	311	\$391	7969D	323	\$6,587
7252A	317	\$271	7726A	314	\$1,495	7977C	270	\$3,863
7252ASE	317	\$392	7726B	314	\$1,600	7977C	321	\$3,863
7252SE	318	\$279	7730WC	311	\$473	7977D	270	\$4,363
7253A	317	\$284	7732A	312	\$1,452	7977D	321	\$4,363
7253ASE	317	\$403	7734A	312	\$1,557	7978C	270	\$4,026

DESKING  
CASEGOODS  
CONFERENCE & TRAINING TABLES  
SEATING  
STORAGE & FILING  
SPECIALTY SOLUTIONS  
COM FORMS  
PRODUCT INDEX



## Index

Model No.	Page	List Price
7978C	321	\$4,026
7978D	270	\$4,559
7978D	321	\$4,559
7979C	270	\$4,790
7979C	321	\$4,790
7979D	270	\$5,445
7979D	321	\$5,445
797E	294	\$629
797H	294	\$561
797T	294	\$589
797TE	294	\$726
797TH	294	\$657
798E	294	\$648
798H	294	\$580
798T	294	\$629
798TE	294	\$767
798TH	294	\$696
7J1	324	\$799
7J117	324	\$471
7J15	324	\$3,142
7J15D	324	\$3,412
8100TD	329	\$538
8109C	316	\$312
8111C	316	\$302
8115C	316	\$451
81370A6	315	\$4,117
83363K	246	\$2,226
8336A3	246	\$3,115
8336A3K	246	\$3,178
8336B3	246	\$3,292
8336B3K	246	\$3,354
83423K	246	\$2,462
8342A3	246	\$3,340
8342A3K	246	\$3,403
8342B3	246	\$3,462
8342B3K	246	\$3,525
83483K	246	\$2,634
8348A3	246	\$3,540
8348A3K	246	\$3,603
8348B3	246	\$3,732
8348B3K	246	\$3,794
8350MR	329	\$609
8432SO	329	\$551
8693B	315	\$5,095
8694B	315	\$5,465
8696B	315	\$5,597
8697B	315	\$5,746
90J006	323	\$102
922VEL	254	\$53
922VEL	281	\$53
922VEL	291	\$53
9309H	319	\$396
9329H	319	\$903
9413AG	212	\$940
9413AGL	212	\$1,095
9414AG	212	\$829
9501V	318	\$82
9503V	318	\$108
9504V	318	\$167
9506V	318	\$192
9507V	318	\$231
9511V	318	\$102

Model No.	Page	List Price
9P600	267	\$177
9P610	267	\$225
9P611	267	\$254
9P620	267	\$385
9P621	267	\$432
9P810	325	\$1,433
A35CH5	238	\$125
AB2S36	99	\$442
AB3S36	99	\$539
AB5S36	99	\$650
ABD6642	95	\$790
ABD7242	95	\$831
ABQ2	100	\$275
ABQ5	100	\$526
ACASTK	287	\$340
ACB4224	96	\$331
ACB4824	96	\$358
ACD	84	\$165
ACD	99	\$165
ACD6024	95	\$526
ACD6624	95	\$554
ACD7224	95	\$581
ACLF30	98	\$677
ACLF36	98	\$762
ACTB10	102	\$1,604
ACTB12	102	\$1,918
ACTB18	102	\$3,299
ACTB6	102	\$915
ACTB8	102	\$1,326
ACTR42	102	\$645
ADB3	282	\$370
ADB4	282	\$457
ADB5	282	\$559
ADB6	282	\$588
ADR2	287	\$246
ADR2LAM	287	\$300
ADR33	287	\$332
ADR33LAM	287	\$449
ADR34	287	\$370
ADR34LAM	287	\$474
ADR35	287	\$399
ADR35LAM	287	\$487
ADR36	287	\$429
ADR36LAM	287	\$513
ADRW2K	287	\$460
AEC72L	96	\$928
AEC72R	96	\$928
AFF20	97	\$526
AFF26	97	\$595
AFLF30	98	\$900
AFLF36	98	\$968
AFTP60	85	\$150
AFTP60	100	\$150
AFTP66	85	\$165
AFTP66	100	\$165
AFTP72	85	\$193
AFTP72	100	\$193
AGDC	101	\$900
AHG72	99	\$968
AHPM	100	\$193
AHW60	99	\$609
AHW66	99	\$650

Model No.	Page	List Price
AHW72	99	\$692
AITB3G2	258	\$6,603
AITB3L2	258	\$5,292
AL	209	\$612
ALC	101	\$1,247
ALCT	86	\$497
ALCT	102	\$497
AMDV	259	\$41
AMK20	97	\$138
AP3017	286	\$627
AP3017	288	\$627
AP3024	286	\$656
AP3617	286	\$643
AP3624	286	\$678
AP4817	286	\$699
AP4824	286	\$766
AP6017	286	\$765
AP6024	286	\$836
AP7217	286	\$852
AP7224	286	\$938
APBBF20	97	\$554
APBBF26	97	\$622
APBF20	97	\$410
APBF26	97	\$456
APED1	284	\$863
APR6030	96	\$548
APST	101	\$1,108
APT7236	96	\$802
AR36	255	\$181
AR3624	96	\$345
AR42	255	\$196
AR4224	96	\$374
AR4824	96	\$415
ARC12CB	260	\$55
ARC12P	260	\$15
ARC15CB	260	\$59
ARC15P	260	\$20
ARC2412HFK	259	\$119
ARC2412ROD105	260	\$302
ARC2412ROD120	260	\$335
ARC2412ROD60	260	\$253
ARC2412ROD75	260	\$264
ARC2412ROD90	260	\$275
ARC2412ROHF	259	\$253
ARC2412ROSLF	259	\$253
ARC2412RS	259	\$253
ARC2412SLF	259	\$61
ARC24403A	256	\$1,754
ARC24403EA	257	\$1,490
ARC24403ES	257	\$1,817
ARC24403S	256	\$2,079
ARC2440BTB	261	\$98
ARC2440CP	261	\$126
ARC2440EP	261	\$367
ARC2440WCS	261	\$83
ARC24504A	256	\$2,066
ARC24504EA	257	\$1,606
ARC24504ES	257	\$1,874
ARC24504S	256	\$2,317
ARC2450BTB	261	\$98
ARC2450CP	261	\$132
ARC2450EP	261	\$379

# Index

Model No.	Page	List Price	Model No.	Page	List Price	Model No.	Page	List Price
ARC2450WCS	261	\$83	ARC30615S	256	\$2,936	ARCB30726EA	257	\$3,079
ARC24615A	256	\$2,114	ARC3061BTB	261	\$98	ARCB30726ES	257	\$3,374
ARC24615EA	257	\$1,681	ARC3061CP	261	\$147	ARCB30726S	256	\$4,233
ARC24615ES	257	\$1,933	ARC3061EP	261	\$407	ARCB30827A	256	\$4,315
ARC24615S	256	\$2,381	ARC3061WCS	261	\$83	ARCB30827EA	257	\$3,399
ARC2461BTB	261	\$98	ARC30726A	256	\$3,509	ARCB30827ES	257	\$3,725
ARC2461CP	261	\$140	ARC30726EA	257	\$2,653	ARCB30827S	256	\$4,651
ARC2461EP	261	\$394	ARC30726ES	257	\$2,949	ARCPS2412	259	\$146
ARC2461WCS	261	\$83	ARC30726S	256	\$3,806	ARCPS3015	259	\$172
ARC24726A	256	\$2,762	ARC3072BTB	261	\$98	ARD6030	95	\$581
ARC24726EA	257	\$2,144	ARC3072CP	261	\$155	ARD6630	95	\$622
ARC24726ES	257	\$2,392	ARC3072EP	261	\$458	ARD7230	95	\$665
ARC24726S	256	\$3,012	ARC3072WCS	261	\$83	ARD7236	95	\$720
ARC2472BTB	261	\$98	ARC30827A	256	\$3,892	ARDTC	101	\$650
ARC2472CP	261	\$146	ARC30827EA	257	\$2,975	ARRS	101	\$219
ARC2472EP	261	\$407	ARC30827ES	257	\$3,301	ARS36	255	\$559
ARC2472WCS	261	\$83	ARC30827S	256	\$4,229	ARS42	255	\$588
ARC24827A	256	\$3,134	ARC3082BTB	261	\$114	AS36F	254	\$179
ARC24827EA	257	\$2,404	ARC3082CP	261	\$172	AS42F	254	\$194
ARC24827ES	257	\$2,680	ARC3082EP	261	\$473	ASC	101	\$692
ARC24827S	256	\$3,411	ARC3082WCS	261	\$98	AT1	103	\$3,033
ARC2482BTB	261	\$114	ARC30938A	256	\$4,431	AT2	103	\$3,569
ARC2482CP	261	\$162	ARC30938EA	257	\$3,305	AT3	103	\$2,919
ARC2482EP	261	\$458	ARC30938ES	257	\$3,702	AT4	103	\$3,328
ARC2482WCS	261	\$98	ARC30938S	256	\$4,763	AT5	104	\$3,887
ARC24938A	256	\$3,525	ARC3093BTB	261	\$130	AT6	104	\$4,371
ARC24938EA	257	\$2,692	ARC3093CP	261	\$199	AT7	104	\$7,790
ARC24938ES	257	\$2,985	ARC3093EP	261	\$543	AT8	104	\$6,892
ARC24938S	256	\$3,827	ARC3093WCS	261	\$114	AT9	105	\$7,554
ARC2493BTB	261	\$130	ARCB24403A	256	\$2,086	AT10	105	\$4,937
ARC2493CP	261	\$186	ARCB24403EA	257	\$1,825	AT11	105	\$1,627
ARC2493EP	261	\$510	ARCB24403ES	257	\$2,151	AT12	105	\$2,698
ARC2493WCS	261	\$114	ARCB24403S	256	\$2,411	AT13	106	\$2,671
ARC3015HFK	259	\$159	ARCB24504A	256	\$2,400	AT14	106	\$1,741
ARC3015ROD105	260	\$328	ARCB24504EA	257	\$1,940	AT15	106	\$4,851
ARC3015ROD120	260	\$359	ARCB24504ES	257	\$2,208	AT17	107	\$6,367
ARC3015ROD60	260	\$302	ARCB24504S	256	\$2,651	AT18	107	\$8,373
ARC3015ROD75	260	\$308	ARCB24615A	256	\$2,445	AT19	107	\$2,445
ARC3015ROD90	260	\$287	ARCB24615EA	257	\$2,015	AT20	107	\$3,413
ARC3015ROHF	259	\$271	ARCB24615ES	257	\$2,268	AT21	108	\$6,274
ARC3015ROSLF	259	\$288	ARCB24615S	256	\$2,715	AT22	108	\$3,455
ARC3015RS	259	\$265	ARCB24726A	256	\$3,183	AT23	108	\$5,802
ARC3015SLF	259	\$76	ARCB24726EA	257	\$2,567	AT24	108	\$2,498
ARC30403A	256	\$2,210	ARCB24726ES	257	\$2,813	AT25	109	\$2,445
ARC30403EA	257	\$1,906	ARCB24726S	256	\$3,434	AT26	109	\$6,414
ARC30403ES	257	\$2,231	ARCB24827A	256	\$3,559	AT27	109	\$10,356
ARC30403S	256	\$2,533	ARCB24827EA	257	\$2,827	AT28	109	\$6,090
ARC3040BTB	261	\$98	ARCB24827ES	257	\$3,104	AT29	110	\$3,723
ARC3040CP	261	\$132	ARCB24827S	256	\$3,838	AT30	110	\$1,965
ARC3040EP	261	\$379	ARCB30403A	256	\$2,541	AT31	110	\$1,521
ARC3040WCS	261	\$83	ARCB30403EA	257	\$2,240	AT32	110	\$2,398
ARC30504A	256	\$2,379	ARCB30403ES	257	\$2,564	AT33	111	\$2,141
ARC30504EA	257	\$1,933	ARCB30403S	256	\$2,866	AT34	111	\$2,850
ARC30504ES	257	\$2,296	ARCB30504A	256	\$2,714	AT35	111	\$7,722
ARC30504S	256	\$2,744	ARCB30504EA	257	\$2,268	AT36	111	\$2,870
ARC3050BTB	261	\$98	ARCB30504ES	257	\$2,629	AT37	112	\$5,048
ARC3050CP	261	\$140	ARCB30504S	256	\$3,078	AT38	112	\$5,380
ARC3050EP	261	\$394	ARCB30615A	256	\$3,001	AT39	112	\$4,259
ARC3050WCS	261	\$83	ARCB30615EA	257	\$2,409	AT40	112	\$5,307
ARC30615A	256	\$2,666	ARCB30615ES	257	\$2,677	ATB3FK	282	\$349
ARC30615EA	257	\$2,075	ARCB30615S	256	\$3,270	ATB4FK	282	\$419
ARC30615ES	257	\$2,344	ARCB30726A	256	\$3,938	ATB5FK	282	\$489

DESKING  
CASEGOODS  
CONFERENCE & TRAINING TABLES  
SEATING  
STORAGE & FILING  
SPECIALTY SOLUTIONS  
COM FORMS  
PRODUCT INDEX

# Index

Model No.	Page	List Price
ATB6FK	282	\$531
AVPB	86	\$858
AVPB	102	\$858
AVPM	100	\$193
AWG72	99	\$1,108
AWMK	238	\$49
BC3629	153	\$555
BC3642	153	\$692
BC3668	153	\$963
BR2448	151	\$398
BT1	87	\$2,218
BT2	87	\$1,795
BT3	87	\$3,327
BT4	87	\$2,568
BT5	88	\$2,814
BT6	88	\$3,485
BT7	88	\$3,448
BT8	88	\$4,896
BT9	89	\$5,268
BT10	89	\$1,900
BT11	89	\$1,621
BT12	89	\$1,392
BT13	90	\$2,024
BT14	90	\$1,851
BT15	90	\$1,585
BT16	90	\$6,340
BT17	91	\$4,646
BT18	91	\$3,140
BT19	91	\$1,269
BT20	91	\$1,285
BT21	92	\$1,578
BT22	92	\$2,017
BT23	92	\$2,372
BT24	92	\$4,754
BT25	93	\$4,227
BT26	93	\$4,453
BT27	93	\$1,161
BT28	93	\$1,892
BT29	94	\$3,304
BT30	94	\$3,938
BT31	94	\$5,068
BT32	94	\$3,399
BTB3624	82	\$183
BTB3S36	85	\$384
BTB4224	82	\$203
BTB4824	82	\$223
BTB4S36	85	\$475
BTB5S36	85	\$572
BTBBF20M	83	\$446
BTBD7239	82	\$517
BTBF20	83	\$333
BTC6024	82	\$342
BTC6624	82	\$363
BTC7224	82	\$389
BTCT6	86	\$474
BTCT8	86	\$744
BTCT10	86	\$1,034
BTCTR48	86	\$396
BTDHG72	84	\$794
BTFF20M	83	\$399
BTFLF36	83	\$772
BTGDC	85	\$671

Model No.	Page	List Price
BTHW60	84	\$541
BTHW66	84	\$574
BTHW72	84	\$600
BTPM	84	\$159
BTPT7236	83	\$673
BTR3624	82	\$229
BTR4224	82	\$248
BTR4824	82	\$263
BTRD6030	82	\$380
BTRD6630	82	\$404
BTRD7230	82	\$440
BTRD7236	82	\$497
BTRDTC	86	\$331
BTRRS2	86	\$135
BTSC	85	\$404
C1131	42	\$1,117
C1131N	42	\$1,075
C1133	42	\$1,117
C1133N	42	\$1,075
C1136	42	\$673
C1136N	42	\$633
C1141	42	\$1,136
C1141N	42	\$1,096
C1142	43	\$1,606
C1142N	43	\$1,565
C1143	42	\$1,136
C1143N	42	\$1,096
C1144	43	\$1,606
C1144N	43	\$1,565
C1145	43	\$1,606
C1145N	43	\$1,565
C1146	42	\$714
C1146N	42	\$673
C1151	42	\$1,162
C1151N	42	\$1,115
C1152	43	\$1,632
C1152N	43	\$1,590
C1153	42	\$1,162
C1153N	42	\$1,115
C1154	43	\$1,632
C1154N	43	\$1,590
C1155	43	\$1,632
C1155N	43	\$1,590
C1156	42	\$726
C1156N	42	\$678
C1161	42	\$1,198
C1161N	42	\$1,151
C1162	43	\$1,667
C1162N	43	\$1,613
C1163	42	\$1,198
C1163N	42	\$1,151
C1164	43	\$1,667
C1164N	43	\$1,613
C1165	43	\$1,667
C1165N	43	\$1,613
C1166	42	\$753
C1166N	42	\$705
C1171	42	\$1,233
C1171N	42	\$1,186
C1172	43	\$1,702
C1172N	43	\$1,649
C1173	42	\$1,233

Model No.	Page	List Price
C1173N	42	\$1,186
C1174	43	\$1,702
C1174N	43	\$1,649
C1175	43	\$1,702
C1175N	43	\$1,649
C1176	42	\$781
C1176N	42	\$733
C1331	37	\$1,148
C1331N	37	\$1,093
C1333	37	\$1,148
C1333N	37	\$1,093
C1336	37	\$689
C1336N	37	\$635
C1341	37	\$1,162
C1341N	37	\$1,108
C1342	38	\$1,646
C1342N	38	\$1,592
C1343	37	\$1,162
C1343N	37	\$1,108
C1344	38	\$1,646
C1344N	38	\$1,592
C1345	38	\$1,646
C1345N	38	\$1,592
C1346	37	\$714
C1346N	37	\$659
C1351	37	\$1,202
C1351N	37	\$1,140
C1352	38	\$1,685
C1352N	38	\$1,623
C1353	37	\$1,202
C1353N	37	\$1,140
C1354	38	\$1,685
C1354N	38	\$1,623
C1355	38	\$1,685
C1355N	38	\$1,623
C1356	37	\$743
C1356N	37	\$682
C1361	37	\$1,238
C1361N	37	\$1,171
C1362	38	\$1,722
C1362N	38	\$1,654
C1363	37	\$1,238
C1363N	37	\$1,171
C1364	38	\$1,722
C1364N	38	\$1,654
C1365	38	\$1,722
C1365N	38	\$1,654
C1366	37	\$783
C1366N	37	\$717
C1371	37	\$1,253
C1371N	37	\$1,185
C1372	38	\$1,736
C1372N	38	\$1,668
C1373	37	\$1,253
C1373N	37	\$1,185
C1374	38	\$1,736
C1374N	38	\$1,668
C1375	38	\$1,736
C1375N	38	\$1,668
C1376	37	\$797
C1376N	37	\$729
C1651	38	\$1,222

# Index

Model No.	Page	List Price	Model No.	Page	List Price	Model No.	Page	List Price
C1651N	38	\$1,162	C1972N	39	\$1,854	C2421N	41	\$924
C1652	38	\$1,728	C1973	39	\$1,416	C2423	41	\$977
C1652N	38	\$1,668	C1973N	39	\$1,348	C2423N	41	\$924
C1653	38	\$1,222	C1974	39	\$1,921	C2426	40	\$528
C1653N	38	\$1,162	C1974N	39	\$1,854	C2426N	40	\$474
C1654	38	\$1,728	C1975	39	\$1,921	C2431	41	\$1,016
C1654N	38	\$1,668	C1975N	39	\$1,854	C2431N	41	\$961
C1655	38	\$1,728	C1976	39	\$944	C2433	41	\$1,016
C1655N	38	\$1,668	C1976N	39	\$878	C2433N	41	\$961
C1656	38	\$811	C1BB2	218	\$690	C2436	40	\$565
C1656N	38	\$750	C1BB3	218	\$725	C2436N	40	\$512
C1661	38	\$1,249	C1BB4	218	\$760	C2441	41	\$1,068
C1661N	38	\$1,183	C1BB5	218	\$795	C2441N	41	\$1,013
C1662	38	\$1,755	C1BB6	218	\$830	C2443	41	\$1,068
C1662N	38	\$1,687	C1BB7	218	\$865	C2443N	41	\$1,013
C1663	38	\$1,249	C1BB8	218	\$900	C2446	40	\$650
C1663N	38	\$1,183	C1BB9	218	\$935	C2446N	40	\$596
C1664	38	\$1,755	C1BB10	218	\$970	C2451	41	\$1,123
C1664N	38	\$1,687	C1BBX	218	\$759	C2451N	41	\$1,049
C1665	38	\$1,755	C1BU2	218	\$929	C2453	41	\$1,123
C1665N	38	\$1,687	C1BU3	218	\$1,004	C2453N	41	\$1,049
C1666	38	\$835	C1BU4	218	\$1,034	C2456	40	\$678
C1666N	38	\$768	C1BU5	218	\$1,069	C2456N	40	\$606
C1671	38	\$1,294	C1BU6	218	\$1,104	C2461	41	\$1,162
C1671N	38	\$1,228	C1BU7	218	\$1,139	C2461N	41	\$1,088
C1672	38	\$1,801	C1BU8	218	\$1,174	C2463	41	\$1,162
C1672N	38	\$1,733	C1BU9	218	\$1,214	C2463N	41	\$1,088
C1673	38	\$1,294	C1BU10	218	\$1,244	C2466	40	\$726
C1673N	38	\$1,228	C1BUX	218	\$1,022	C2466N	40	\$652
C1674	38	\$1,801	C1CB2	218	\$839	C2471	41	\$1,199
C1674N	38	\$1,733	C1CB3	218	\$874	C2471N	41	\$1,124
C1675	38	\$1,801	C1CB4	218	\$909	C2473	41	\$1,199
C1675N	38	\$1,733	C1CB5	218	\$944	C2473N	41	\$1,124
C1676	38	\$860	C1CB6	218	\$979	C2476	40	\$756
C1676N	38	\$791	C1CB7	218	\$1,014	C2476N	40	\$682
C1951	39	\$1,339	C1CB8	218	\$1,049	C2481	41	\$879
C1951N	39	\$1,279	C1CB9	218	\$1,084	C2481N	41	\$832
C1952	39	\$1,844	C1CB10	218	\$1,119	C2483	41	\$879
C1952N	39	\$1,783	C1CBX	218	\$923	C2483N	41	\$832
C1953	39	\$1,339	C1CU2	218	\$1,004	C2486	40	\$442
C1953N	39	\$1,279	C1CU3	218	\$1,079	C2486N	40	\$396
C1954	39	\$1,844	C1CU4	218	\$1,109	C2501	41	\$966
C1954N	39	\$1,783	C1CU5	218	\$1,144	C2501N	41	\$918
C1955	39	\$1,844	C1CU6	218	\$1,179	C2503	41	\$966
C1955N	39	\$1,783	C1CU7	218	\$1,214	C2503N	41	\$918
C1956	39	\$863	C1CU8	218	\$1,249	C2506	41	\$517
C1956N	39	\$803	C1CU9	218	\$1,289	C2506N	41	\$471
C1961	39	\$1,391	C1CU10	218	\$1,319	C2511	41	\$995
C1961N	39	\$1,324	C1CUX	218	\$1,104	C2511N	41	\$948
C1962	39	\$1,895	C2401	41	\$908	C2513	41	\$995
C1962N	39	\$1,828	C2401N	41	\$861	C2513N	41	\$948
C1963	39	\$1,391	C2403	41	\$908	C2516	41	\$556
C1963N	39	\$1,324	C2403N	41	\$861	C2516N	41	\$509
C1964	39	\$1,895	C2406	40	\$464	C2521	41	\$1,037
C1964N	39	\$1,828	C2406N	40	\$418	C2521N	41	\$982
C1965	39	\$1,895	C2411	41	\$938	C2523	41	\$1,037
C1965N	39	\$1,828	C2411N	41	\$890	C2523N	41	\$982
C1966	39	\$916	C2413	41	\$938	C2526	41	\$579
C1966N	39	\$851	C2413N	41	\$890	C2526N	41	\$526
C1971	39	\$1,416	C2416	40	\$495	C2531	41	\$1,072
C1971N	39	\$1,348	C2416N	40	\$449	C2531N	41	\$1,019
C1972	39	\$1,921	C2421	41	\$977	C2533	41	\$1,072

DESKING  
CASEGOODS  
CONFERENCE & TRAINING TABLES  
SEATING  
STORAGE & FILING  
SPECIALTY SOLUTIONS  
COM FORMS  
PRODUCT INDEX



# Index

Model No.	Page	List Price
C2533N	41	\$1,019
C2536	41	\$619
C2536N	41	\$564
C2541	41	\$1,157
C2541N	41	\$1,104
C2543	41	\$1,157
C2543N	41	\$1,104
C2546	41	\$714
C2546N	41	\$659
C2551	41	\$1,194
C2551N	41	\$1,121
C2553	41	\$1,194
C2553N	41	\$1,121
C2556	41	\$740
C2556N	41	\$667
C2561	41	\$1,238
C2561N	41	\$1,165
C2563	41	\$1,238
C2563N	41	\$1,165
C2566	41	\$773
C2566N	41	\$700
C2571	41	\$1,316
C2571N	41	\$1,241
C2573	41	\$1,316
C2573N	41	\$1,241
C2576	41	\$849
C2576N	41	\$773
C2581	41	\$934
C2581N	41	\$887
C2583	41	\$934
C2583N	41	\$887
C2586	41	\$486
C2586N	41	\$439
C281N	40	\$322
C281S	39	\$341
C281T	39	\$348
C282N	40	\$334
C282S	39	\$359
C282T	39	\$367
C283N	40	\$353
C283S	39	\$379
C283T	39	\$386
C291N	40	\$334
C291S	40	\$354
C291T	40	\$359
C292N	40	\$350
C292S	40	\$375
C292T	40	\$380
C293N	40	\$368
C293S	40	\$395
C293T	40	\$401
C2BB2	218	\$615
C2BB3	218	\$650
C2BB4	218	\$685
C2BB5	218	\$720
C2BB6	218	\$755
C2BB7	218	\$790
C2BB8	218	\$825
C2BB9	218	\$860
C2BB10	218	\$895
C2BBX	218	\$677
C2BU2	218	\$854

Model No.	Page	List Price
C2BU3	218	\$929
C2BU4	218	\$959
C2BU5	218	\$994
C2BU6	218	\$1,029
C2BU7	218	\$1,064
C2BU8	218	\$1,099
C2BU9	218	\$1,139
C2BU10	218	\$1,169
C2BUX	218	\$939
C2CB2	218	\$764
C2CB3	218	\$799
C2CB4	218	\$834
C2CB5	218	\$869
C2CB6	218	\$904
C2CB7	218	\$939
C2CB8	218	\$974
C2CB9	218	\$1,009
C2CB10	218	\$1,044
C2CBX	218	\$840
C2CU2	218	\$929
C2CU3	218	\$1,004
C2CU4	218	\$1,034
C2CU5	218	\$1,069
C2CU6	218	\$1,104
C2CU7	218	\$1,139
C2CU8	218	\$1,174
C2CU9	218	\$1,214
C2CU10	218	\$1,244
C2CUX	218	\$1,022
C313L1	44	\$1,605
C313L1N	44	\$1,524
C313L3	44	\$1,605
C313L3N	44	\$1,524
C313L6	44	\$1,262
C313L6N	44	\$1,181
C313R1	44	\$1,605
C313R1N	44	\$1,524
C313R3	44	\$1,605
C313R3N	44	\$1,524
C313R6	44	\$1,262
C313R6N	44	\$1,181
C343L1	44	\$1,605
C343L1N	44	\$1,524
C343L3	44	\$1,605
C343L3N	44	\$1,524
C343L6	44	\$1,262
C343L6N	44	\$1,181
C343R1	44	\$1,605
C343R1N	44	\$1,524
C343R3	44	\$1,605
C343R3N	44	\$1,524
C343R6	44	\$1,262
C343R6N	44	\$1,181
C36A	40	\$1,949
C36T	43	\$1,184
C36TR	43	\$1,042
C413L	45	\$1,276
C413LN	45	\$1,195
C413R	45	\$1,276
C413RN	45	\$1,195
C42A	40	\$1,965
C483L	45	\$1,276

Model No.	Page	List Price
C483LN	45	\$1,181
C483R	45	\$1,276
C483RN	45	\$1,181
C48A	40	\$2,042
C48T	43	\$1,282
C48TR	43	\$1,139
C515	43	\$669
C523	43	\$641
C542	42	\$1,084
C542N	42	\$1,016
C552	42	\$1,107
C552N	42	\$1,040
C583	42	\$1,165
C583N	42	\$1,016
C593	42	\$1,187
C593N	42	\$1,107
C625	44	\$1,171
C626	44	\$1,390
C627	44	\$1,423
C673	44	\$638
C685	44	\$697
C687	44	\$749
C7421	46	\$748
C743	46	\$805
C745	46	\$993
C746	46	\$1,047
C747	46	\$1,106
C7621	46	\$921
C763	46	\$1,136
C765	46	\$1,326
C766	46	\$1,380
C767	46	\$1,438
C7721	46	\$503
C773	46	\$530
C775	46	\$571
C777	46	\$627
C810	49	\$446
C811	49	\$467
C812	49	\$478
C813	49	\$490
C818	49	\$436
C819	49	\$457
C820	49	\$543
C821	49	\$585
C822	49	\$604
C823	49	\$613
C828	49	\$529
C829	49	\$557
C841H	48	\$852
C841H	268	\$852
C842H	48	\$1,029
C842H	268	\$1,029
C843H	48	\$1,108
C843H	268	\$1,108
C844H	48	\$1,281
C844H	268	\$1,281
C845H	48	\$1,447
C845H	268	\$1,447
C846H	48	\$1,613
C846H	268	\$1,613
C847H	48	\$1,727
C847H	268	\$1,727

# Index

Model No.	Page	List Price	Model No.	Page	List Price	Model No.	Page	List Price
C8621	47	\$269	CA30RLBT	307	\$387	CA42RHBHR	307	\$779
C863	47	\$273	CA30RLSHK	308	\$733	CA42RHBHT	307	\$779
C865	47	\$301	CA30RLSHR	308	\$733	CA42RHBT	307	\$622
C866	47	\$316	CA30RLSHT	308	\$733	CA42RHSHK	308	\$903
C867	47	\$343	CA30RLST	308	\$486	CA42RHSHR	308	\$903
C8817B	47	\$570	CA30SHBHK	307	\$621	CA42RHSHT	308	\$903
C8817B	58	\$570	CA30SHBHR	307	\$621	CA42RHST	308	\$721
C8817B	63	\$570	CA30SHBHT	307	\$621	CA42RLBHK	307	\$766
C8817B	297	\$570	CA30SHBT	307	\$399	CA42RLBHR	307	\$766
C8817F	47	\$570	CA30SHSHK	308	\$746	CA42RLBHT	307	\$766
C8817F	58	\$570	CA30SHSHR	308	\$746	CA42RLBT	307	\$608
C8817F	63	\$570	CA30SHSHT	308	\$746	CA42RLSHK	308	\$890
C8817F	297	\$570	CA30SHST	308	\$498	CA42RLSHR	308	\$890
C8817M	47	\$79	CA30SLBHK	307	\$607	CA42RLSHT	308	\$890
C8817M	58	\$79	CA30SLBHR	307	\$607	CA42RLST	308	\$709
C8817M	63	\$79	CA30SLBHT	307	\$607	CAFR18B	307	\$234
C8817M	297	\$79	CA30SLBT	307	\$388	CBBFC	116	\$677
C8824B	47	\$590	CA30SLSHK	308	\$733	CBBFC	118	\$677
C8824F	47	\$590	CA30SLSHR	308	\$733	CBBFD	116	\$820
C8824M	47	\$82	CA30SLSHT	308	\$733	CBBFD	118	\$820
C8830B	47	\$609	CA30SLST	308	\$486	CBC2	48	\$326
C8830F	47	\$609	CA36RHBHK	307	\$714	CBC2	269	\$326
C8830M	47	\$86	CA36RHBHR	307	\$714	CBC3	48	\$401
C88MKEYH	47	\$16	CA36RHBHT	307	\$714	CBC3	269	\$401
C893	45	\$217	CA36RHBT	307	\$450	CBC4	48	\$515
C894	35	\$304	CA36RHSHK	308	\$838	CBC4	269	\$515
C894	46	\$304	CA36RHSHR	308	\$838	CBC5	48	\$627
C894	68	\$304	CA36RHSHT	308	\$838	CBC5	269	\$627
C9111	50	\$51	CA36RHST	308	\$551	CBDG	115	\$555
C9112	50	\$67	CA36RLBHK	307	\$701	CCD	116	\$236
C9113	50	\$86	CA36RLBHR	307	\$701	CCNZ72	114	\$1,130
C9211	50	\$55	CA36RLBHT	307	\$701	CD1	155	\$103
C9212	50	\$73	CA36RLBT	307	\$439	CD72	114	\$1,824
C9213	50	\$88	CA36RLSHK	308	\$826	CDL72	114	\$1,956
C9311	50	\$62	CA36RLSHR	308	\$826	CDS72	114	\$1,666
C9312	50	\$80	CA36RLSHT	308	\$826	CDS72	117	\$1,666
C9313	50	\$96	CA36RLST	308	\$538	CFFC	116	\$665
C9411	50	\$69	CA36SHBHK	307	\$713	CFFC	118	\$665
C9412	50	\$88	CA36SHBHR	307	\$713	CFFD	116	\$792
C9413	50	\$106	CA36SHBHT	307	\$713	CFFD	118	\$792
C9512	50	\$96	CA36SHBT	307	\$451	CH48L	285	\$2,708
C9513	50	\$115	CA36SHSHK	308	\$838	CH48LLAM	285	\$2,942
C9517	50	\$141	CA36SHSHR	308	\$838	CH48LS	285	\$3,037
CA2PHHK	307	\$1,351	CA36SHSHT	308	\$838	CH48LSLAM	285	\$3,269
CA2PHHR	307	\$1,351	CA36SHST	308	\$551	CH48NS	285	\$2,457
CA2PHHT	307	\$1,351	CA36SLBHK	307	\$700	CH48NSLAM	285	\$2,692
CA2PHT	307	\$1,132	CA36SLBHR	307	\$700	CH48T	286	\$3,085
CA2PLHK	307	\$1,303	CA36SLBHT	307	\$700	CH48TLAM	286	\$3,304
CA2PLHR	307	\$1,303	CA36SLBT	307	\$440	CH60D	285	\$2,694
CA2PLHT	307	\$1,303	CA36SLSHK	308	\$826	CH60DLAM	285	\$2,947
CA2PLT	307	\$1,107	CA36SLSHR	308	\$826	CH60DS	285	\$3,022
CA30RHBHK	307	\$622	CA36SLSHT	308	\$826	CH60DSLAM	285	\$3,274
CA30RHBHR	307	\$622	CA36SLST	308	\$538	CH60L	285	\$2,759
CA30RHBHT	307	\$622	CA3PHHK	308	\$1,778	CH60LLAM	285	\$3,017
CA30RHBT	307	\$398	CA3PHHR	308	\$1,778	CH60LS	285	\$3,090
CA30RHSHK	308	\$746	CA3PHHT	308	\$1,778	CH60LSLAM	285	\$3,345
CA30RHSHR	308	\$746	CA3PHT	308	\$1,422	CH60N	285	\$2,230
CA30RHSHT	308	\$746	CA3PLHK	308	\$1,564	CH60NLAM	285	\$2,485
CA30RHST	308	\$498	CA3PLHR	308	\$1,564	CH60NS	285	\$2,559
CA30RLBHK	307	\$608	CA3PLHT	308	\$1,564	CH60NSLAM	285	\$2,813
CA30RLBHR	307	\$608	CA3PLT	308	\$1,245	CH60T	286	\$3,135
CA30RLBHT	307	\$608	CA42RHBHK	307	\$779	CH60TLAM	286	\$3,373

DESKING  
CASEGOODS  
CONFERENCE & TRAINING TABLES  
SEATING  
STORAGE & FILING  
SPECIALTY SOLUTIONS  
COM FORMS  
PRODUCT INDEX

## Index

Model No.	Page	List Price
CH72D	285	\$3,011
CH72DLAM	285	\$3,292
CH72DS	285	\$3,339
CH72DSLAM	285	\$3,621
CH72L	285	\$3,076
CH72LLAM	285	\$3,359
CH72LS	285	\$3,404
CH72LSLAM	285	\$3,688
CH72N	285	\$2,491
CH72NLAM	285	\$2,771
CH72NS	285	\$2,818
CH72NSLAM	285	\$3,103
CH72T	286	\$3,349
CH72TLAM	286	\$3,617
CHAIRGL	217	\$33
CHG72	115	\$1,938
CHW72	115	\$1,775
CL15	45	\$117
CL24	45	\$147
CL30	45	\$155
CL48L	285	\$2,436
CL48LLAM	285	\$2,619
CL48N	285	\$1,854
CL48NLAM	285	\$2,090
CL48NS	285	\$2,184
CL48NSLAM	285	\$2,434
CL48T	286	\$2,830
CL48TLAM	286	\$3,047
CL60L	285	\$2,522
CL60LLAM	285	\$2,773
CL60LS	285	\$2,849
CL60LSLAM	285	\$3,104
CL60N	285	\$1,963
CL60NLAM	285	\$2,224
CL60NS	285	\$2,291
CL60NSLAM	285	\$2,554
CL60T	286	\$2,908
CL60TLAM	286	\$3,146
CL72D	285	\$2,723
CL72DLAM	285	\$3,008
CL72DS	285	\$3,052
CL72DSLAM	285	\$3,337
CL72L	285	\$2,790
CL72LLAM	285	\$3,073
CL72LS	285	\$3,117
CL72LSLAM	285	\$3,400
CL72N	285	\$2,196
CL72NLAM	285	\$2,479
CL72NS	285	\$2,525
CL72NSLAM	285	\$2,810
CL72T	286	\$3,157
CL72TLAM	286	\$3,426
CLCK1	47	\$34
CLCK2	47	\$34
CLCK3	47	\$34
CLCK4	47	\$34
CLCK5	47	\$34
CLF	116	\$1,222
CLF	118	\$1,222
CMT12	119	\$5,506
CMT14	119	\$6,132
CMT18	119	\$8,018

Model No.	Page	List Price
CMT20	119	\$8,864
CMT24	119	\$10,847
CMT26	119	\$11,693
CMT30	119	\$13,677
CP172H	267	\$413
CP173H	267	\$413
CP17MH	267	\$93
CP242H	267	\$425
CP243H	267	\$425
CP24MH	267	\$93
CP3	155	\$18
CP3	182	\$18
CP6	155	\$18
CP6	182	\$18
CPC	114	\$1,141
CR2072	151	\$701
CRC72	117	\$666
CRL72	117	\$5,096
CRR72	117	\$5,096
CRS	117	\$2,332
CRS48	117	\$319
CRSBB	117	\$4,208
CRSBF	117	\$4,180
CRTNL	115	\$724
CRTNL	117	\$724
CRTNR	115	\$724
CRTNR	117	\$724
CS	210	\$795
CS2RC	51	\$845
CS2RS30	51	\$402
CS2RS78	51	\$563
CST1	53	\$7,334
CST2	53	\$4,169
CST3	53	\$4,931
CST4	53	\$4,330
CST5	54	\$4,465
CST6	54	\$11,702
CST7	54	\$3,503
CST8	54	\$4,126
CST9	55	\$3,016
CST10	55	\$2,881
CST11	55	\$4,650
CST12	55	\$2,292
CST14	56	\$5,661
CST15	56	\$3,701
CST18	56	\$3,185
CST19	56	\$5,061
CST22	57	\$3,967
CST24	57	\$3,817
CST25	51	\$2,581
CST26	51	\$3,385
CST27	51	\$4,079
CT10848BL	201	\$1,549
CT10848RL	201	\$1,549
CT10848VL	201	\$1,549
CT10854BL	201	\$1,689
CT10854RL	201	\$1,689
CT10854VL	201	\$1,689
CT2	122	\$7,005
CT4	122	\$6,847
CT6	122	\$7,168
CT8	122	\$7,010

Model No.	Page	List Price
CT9	123	\$4,269
CT10	123	\$4,269
CT11	123	\$4,111
CT12	123	\$4,111
CT15	124	\$4,483
CT16	124	\$4,646
CT12048BL	201	\$1,864
CT12048RL	201	\$1,864
CT12048VL	201	\$1,864
CT12054BL	201	\$1,971
CT12054RL	201	\$1,971
CT12054VL	201	\$1,971
CT19	124	\$4,959
CT22	124	\$7,935
CT24	125	\$7,777
CT26	125	\$8,098
CT28	125	\$7,940
CT3672	154	\$1,531
CT3SL	201	\$985
CT42RL	201	\$1,055
CT48120	154	\$2,379
CT48144	154	\$2,849
CT4896	154	\$1,947
CT48RL	201	\$1,091
CT7236BL	201	\$1,250
CT7236RL	201	\$1,250
CT7236VL	201	\$1,250
CT9648BL	201	\$1,408
CT9648RL	201	\$1,408
CT9648VL	201	\$1,408
CT9654BL	201	\$1,443
CT9654RL	201	\$1,443
CT9654VL	201	\$1,443
CTC120	119	\$3,266
CTC72	119	\$1,542
CTC84	119	\$1,823
CTC96	119	\$2,266
CTMB	119	\$1,411
CTMB	130	\$1,411
CTMB	155	\$1,411
CTMB	168	\$1,411
CTR	179	\$855
CTRND	119	\$843
CTS	179	\$605
CTS36	286	\$167
CTS48	286	\$186
CTS60	286	\$202
CTS72	286	\$219
CTSK1	84	\$138
CTSK1	100	\$138
CTSK1	115	\$138
CTSK1	127	\$138
CTSK1	142	\$138
CTSK1	155	\$138
CTSK1	168	\$138
CU243636	150	\$677
CU6	161	\$3,035
CU7	160	\$3,015
CUB6	161	\$3,035
CUB7	160	\$3,015
D09GS03	250	\$59
D09GS03	254	\$59



# Index

Model No.	Page	List Price	Model No.	Page	List Price	Model No.	Page	List Price
D09GS10	250	\$192	DFU3065	263	\$357	EC72UB	193	\$392
D09GS10	254	\$192	DFU3076	263	\$408	ECB	193	\$245
D100	264	\$168	DFU3086	263	\$446	ECH	193	\$166
D200	264	\$299	DFU3097	263	\$492	ECS	193	\$257
D300	264	\$156	DK3672	150	\$1,261	ECX	193	\$89
D400	264	\$234	DKS3672	150	\$1,250	EF0943L	233	\$76
D500	264	\$75	DME1265F	264	\$176	EF0943OP	233	\$67
D7260A	317	\$248	DME1276F	264	\$208	EF0943T	233	\$120
D7261A	317	\$265	DME1286F	264	\$227	EF0965L	233	\$76
D7261ASE	317	\$412	DME1297F	264	\$247	EF0965OP	233	\$67
D7262A	317	\$280	DME1565F	264	\$234	EF0965T	233	\$120
D7262ASE	317	\$425	DME1576F	264	\$247	EF0976L	233	\$87
D7263A	317	\$296	DME1586F	264	\$273	EF0976OP	233	\$76
D7263ASE	317	\$441	DME1597F	264	\$291	EF0976T	233	\$132
D7265A	317	\$356	DME1865F	264	\$250	EF0986L	233	\$90
D7265ASE	317	\$518	DME1865M	265	\$253	EF0986OP	233	\$76
D7270A	316	\$346	DME1876F	264	\$282	EF0986T	233	\$135
D7271A	316	\$362	DME1876M	265	\$284	EF0997L	233	\$102
D7271ASE	316	\$478	DME1886F	264	\$308	EF0997OP	233	\$76
D7272A	316	\$376	DME1886M	265	\$310	EF0997T	233	\$146
D7272ASE	316	\$492	DME1897F	264	\$333	EF1243L	233	\$76
D7273A	316	\$422	DME1897M	265	\$336	EF1243OP	233	\$68
D7273ASE	316	\$511	DME2465F	264	\$273	EF1243T	233	\$123
D7275A	316	\$556	DME2465M	265	\$273	EF1265L	233	\$76
D7275ASE	316	\$701	DME2476F	264	\$310	EF1265OP	233	\$68
DAD3G	263	\$239	DME2476M	265	\$310	EF1265T	233	\$123
DAD3L	263	\$176	DME2486F	264	\$336	EF1276L	233	\$87
DAD4G	263	\$279	DME2486M	265	\$336	EF1276OP	233	\$77
DAD4L	263	\$208	DME2497F	264	\$363	EF1276T	233	\$135
DAD5G	263	\$310	DME2497M	265	\$363	EF1286L	233	\$90
DAD5L	263	\$239	DME3065F	264	\$357	EF1286OP	233	\$77
DAD6G	263	\$357	DME3065M	265	\$357	EF1286T	233	\$148
DAD6L	263	\$273	DME3076F	264	\$408	EF1297L	233	\$102
DAD7G	263	\$357	DME3076M	265	\$408	EF1297OP	233	\$77
DAD7L	263	\$310	DME3086F	264	\$446	EF1297T	233	\$161
DAD8G	263	\$446	DME3086M	265	\$446	EF1543L	233	\$80
DAD8L	263	\$336	DME3097F	264	\$492	EF1543OP	233	\$70
DBDK3672	157	\$2,565	DME3097M	265	\$492	EF1543T	233	\$131
DFB3665	264	\$389	DME3665F	264	\$385	EF1565L	233	\$80
DFB3676	264	\$446	DME3665M	265	\$389	EF1565OP	233	\$70
DFB3686	264	\$492	DME3676F	264	\$442	EF1565T	233	\$131
DFB3697	264	\$531	DME3676M	265	\$446	EF1576L	233	\$88
DFB4265	264	\$434	DME3686F	264	\$487	EF1576OP	233	\$82
DFB4276	264	\$492	DME3686M	265	\$487	EF1576T	233	\$142
DFB4286	264	\$544	DME3697F	264	\$526	EF1586L	233	\$96
DFB4297	264	\$589	DME3697M	265	\$526	EF1586OP	233	\$82
DFB4865	264	\$460	DPDK3672	157	\$2,565	EF1586T	233	\$155
DFB4876	264	\$537	DR2	291	\$119	EF1597L	233	\$105
DFB4886	264	\$583	EC48FB	193	\$521	EF1597OP	233	\$82
DFB4897	264	\$627	EC48FS	193	\$521	EF1597T	233	\$167
DFU1265	263	\$176	EC48UB	193	\$392	EF1843L	233	\$86
DFU1276	263	\$208	EC54FB	193	\$521	EF1843OP	233	\$90
DFU1286	263	\$227	EC54FS	193	\$521	EF1843T	233	\$152
DFU1297	263	\$247	EC54UB	193	\$392	EF1865L	233	\$95
DFU1565	263	\$234	EC60FB	193	\$521	EF1865OP	233	\$90
DFU1576	263	\$247	EC60FS	193	\$521	EF1865T	233	\$164
DFU1586	263	\$273	EC60UB	193	\$392	EF1876L	233	\$100
DFU1597	263	\$291	EC66FB	193	\$521	EF1876OP	233	\$89
DFU2465	263	\$273	EC66FS	193	\$521	EF1876T	233	\$184
DFU2476	263	\$310	EC66UB	193	\$392	EF1886L	233	\$126
DFU2486	263	\$310	EC72FB	193	\$521	EF1886OP	233	\$94
DFU2497	263	\$363	EC72FS	193	\$521	EF1886T	233	\$191

DESKING  
CASEGOODS  
CONFERENCE & TRAINING TABLES  
SEATING  
STORAGE & FILING  
SPECIALTY SOLUTIONS  
COM FORMS  
PRODUCT INDEX

# Index

Model No.	Page	List Price
EF1897L	233	\$137
EF1897OP	233	\$94
EF1897T	233	\$204
EF2402KP	236	\$17
EF2406KP	236	\$31
EF2409S	234	\$29
EF2409S18GA	235	\$46
EF2409U	234	\$29
EF2409U18GA	235	\$43
EF2411SS	236	\$12
EF2411SSB	236	\$17
EF2411SSB	245	\$17
EF2411SSPT	236	\$18
EF2412S	234	\$24
EF2412S18GA	235	\$52
EF2412U	234	\$24
EF2412U18GA	235	\$47
EF2414SS	236	\$12
EF2414SSB	236	\$12
EF2414SSB	245	\$12
EF2414SSPT	236	\$18
EF2414WSSS	237	\$21
EF2415S	234	\$27
EF2415S18GA	235	\$53
EF2415U	234	\$27
EF2415U18GA	235	\$49
EF2418S	234	\$44
EF2418S18GA	235	\$54
EF2418U	234	\$37
EF2418U18GA	235	\$51
EF2418U18GA	244	\$51
EF2424S	234	\$44
EF2424S18GA	235	\$109
EF2424U	234	\$41
EF2424U18GA	235	\$86
EF2430S	234	\$49
EF2430S18GA	235	\$112
EF2430U	234	\$47
EF2430U18GA	235	\$88
EF2436U18GA	235	\$102
EF2436U18GA	244	\$102
EF2443BP	238	\$206
EF2443CP	238	\$209
EF2443L	233	\$90
EF2443OP	233	\$90
EF2443T	233	\$159
EF2465BP	238	\$230
EF2465CP	238	\$227
EF2465L	233	\$99
EF2465OP	233	\$90
EF2465T	233	\$168
EF2476BP	238	\$236
EF2476CP	238	\$232
EF2476L	233	\$116
EF2476OP	233	\$91
EF2476T	233	\$186
EF2486BP	238	\$236
EF2486CP	238	\$240
EF2486L	233	\$130
EF2486OP	233	\$94
EF2486T	233	\$199
EF2497BP	238	\$286

Model No.	Page	List Price
EF2497CP	238	\$262
EF2497L	233	\$144
EF2497OP	233	\$94
EF2497T	233	\$212
EF24CS	235	\$9
EF24CS	245	\$9
EF24RS	236	\$213
EF24WSB	237	\$27
EF3002KP	236	\$20
EF3006KP	236	\$36
EF3009S	234	\$29
EF3009S18GA	235	\$47
EF3009U	234	\$29
EF3009U18GA	235	\$45
EF3011SS	236	\$11
EF3011SSB	236	\$17
EF3011SSB	245	\$17
EF3011SSPT	236	\$18
EF3012S	234	\$24
EF3012S18GA	235	\$53
EF3012U	234	\$24
EF3012U18GA	235	\$50
EF3014SS	236	\$12
EF3014SSB	236	\$12
EF3014SSB	245	\$12
EF3014SSPT	236	\$18
EF3014WSSS	237	\$21
EF3015S	234	\$27
EF3015S18GA	235	\$54
EF3015U	234	\$27
EF3015U18GA	235	\$54
EF3018S	234	\$44
EF3018S18GA	235	\$55
EF3018U	234	\$41
EF3018U18GA	235	\$54
EF3018U18GA	244	\$54
EF3024S	234	\$44
EF3024S18GA	235	\$112
EF3024U	234	\$43
EF3024U18GA	235	\$109
EF3030S	234	\$49
EF3030S18GA	235	\$114
EF3030U	234	\$49
EF3030U18GA	235	\$112
EF3036U18GA	235	\$114
EF3036U18GA	244	\$114
EF3043BP	238	\$209
EF3043CP	238	\$214
EF3043L	233	\$105
EF3043OP	233	\$93
EF3043T	233	\$184
EF3065BP	238	\$232
EF3065CP	238	\$232
EF3065L	233	\$121
EF3065OP	233	\$93
EF3065T	233	\$199
EF3076BP	238	\$238
EF3076CP	238	\$238
EF3076L	233	\$148
EF3076OP	233	\$106
EF3076T	233	\$225
EF3086BP	238	\$247

Model No.	Page	List Price
EF3086CP	238	\$247
EF3086L	233	\$157
EF3086OP	233	\$100
EF3086T	233	\$237
EF3097BP	238	\$291
EF3097CP	238	\$291
EF3097L	233	\$165
EF3097OP	233	\$100
EF3097T	233	\$250
EF30CS	235	\$9
EF30CS	245	\$9
EF30RS	236	\$227
EF30WSB	237	\$27
EF3602KP	236	\$20
EF3606KP	236	\$36
EF3609S	234	\$29
EF3609S18GA	235	\$47
EF3609U	234	\$29
EF3609U18GA	235	\$45
EF3611SS	236	\$12
EF3611SSB	236	\$17
EF3611SSB	245	\$17
EF3611SSPT	236	\$18
EF3612S	234	\$24
EF3612S18GA	235	\$53
EF3612U	234	\$27
EF3612U18GA	235	\$53
EF3614SS	236	\$12
EF3614SSB	236	\$12
EF3614SSB	245	\$12
EF3614SSPT	236	\$18
EF3614WSSS	237	\$21
EF3615S	234	\$27
EF3615S18GA	235	\$54
EF3615U	234	\$31
EF3615U18GA	235	\$54
EF3618S	234	\$44
EF3618S18GA	235	\$59
EF3618U	234	\$41
EF3618U18GA	235	\$59
EF3618U18GA	244	\$59
EF3624S	234	\$44
EF3624S18GA	235	\$112
EF3624U	234	\$43
EF3624U18GA	235	\$112
EF3630S	234	\$49
EF3630S18GA	235	\$114
EF3630U	234	\$49
EF3630U18GA	235	\$114
EF3636U18GA	235	\$116
EF3636U18GA	244	\$116
EF3643BP	238	\$210
EF3643CP	238	\$214
EF3665BP	238	\$232
EF3665CP	238	\$232
EF3676BP	238	\$238
EF3676CP	238	\$238
EF3686BP	238	\$247
EF3686CP	238	\$247
EF3697BP	238	\$291
EF3697CP	238	\$291
EF36CS	235	\$9

# Index

Model No.	Page	List Price	Model No.	Page	List Price	Model No.	Page	List Price
EF36CS	245	\$9	EF4811SSPT	236	\$18	EFL2424656S	229	\$791
EF36RS	236	\$240	EF4811WSSS	237	\$21	EFL2424767S	230	\$913
EF36WSB	237	\$28	EF4812S	234	\$37	EFL2424868S	231	\$1,029
EF4202KP	236	\$26	EF4812S18GA	235	\$59	EFL2424979S	232	\$1,145
EF4206KP	236	\$38	EF4812U	234	\$33	EFL2430433S	228	\$569
EF4209S	234	\$32	EF4812U18GA	235	\$59	EFL2430656S	229	\$889
EF4209S18GA	235	\$54	EF4814SSB	236	\$12	EFL2430767S	230	\$1,039
EF4209U	234	\$29	EF4814SSB	245	\$12	EFL2430868S	231	\$1,153
EF4209U18GA	235	\$50	EF4815S	234	\$43	EFL2430979S	232	\$1,209
EF4211SS	236	\$12	EF4815S18GA	235	\$60	EFL3009433S	228	\$391
EF4211SSB	236	\$17	EF4815U	234	\$39	EFL3009656S	229	\$577
EF4211SSB	245	\$17	EF4815U18GA	235	\$60	EFL3009767S	230	\$661
EF4211SSPT	236	\$18	EF4818S	234	\$55	EFL3009868S	231	\$729
EF4211WSSS	237	\$21	EF4818S18GA	235	\$62	EFL3009979S	232	\$815
EF4212S	234	\$29	EF4818U	234	\$51	EFL3012433S	228	\$371
EF4212S18GA	235	\$56	EF4818U18GA	235	\$56	EFL3012656S	229	\$542
EF4212U	234	\$29	EF4818U18GA	244	\$56	EFL3012767S	230	\$621
EF4212U18GA	235	\$55	EF4824S	234	\$64	EFL3012868S	231	\$684
EF4214SSB	236	\$12	EF4824S18GA	235	\$117	EFL3012979S	232	\$765
EF4214SSB	245	\$12	EF4824U	234	\$54	EFL3015433S	228	\$391
EF4215S	234	\$37	EF4824U18GA	235	\$115	EFL3015656S	229	\$571
EF4215S18GA	235	\$59	EF4830S	234	\$69	EFL3015767S	230	\$647
EF4215U	234	\$36	EF4830S18GA	235	\$119	EFL3015868S	231	\$723
EF4215U18GA	235	\$56	EF4830U	234	\$61	EFL3015979S	232	\$801
EF4218S	234	\$50	EF4830U18GA	235	\$114	EFL3018433S	228	\$489
EF4218S18GA	235	\$61	EF4836U18GA	235	\$116	EFL3018656S	229	\$759
EF4218U	234	\$44	EF4836U18GA	244	\$116	EFL3018767S	230	\$853
EF4218U18GA	235	\$59	EF4843BP	238	\$222	EFL3018868S	231	\$989
EF4218U18GA	244	\$59	EF4843CP	238	\$223	EFL3018979S	232	\$1,095
EF4224S	234	\$55	EF4865BP	238	\$240	EFL3024433S	228	\$511
EF4224S18GA	235	\$115	EF4865CP	238	\$240	EFL3024656S	229	\$793
EF4224U	234	\$50	EF4876BP	238	\$261	EFL3024767S	230	\$915
EF4224U18GA	235	\$113	EF4876CP	238	\$261	EFL3024868S	231	\$1,031
EF4230S	234	\$62	EF4886BP	238	\$291	EFL3024979S	232	\$1,147
EF4230S18GA	235	\$116	EF4886CP	238	\$291	EFL3030433S	228	\$571
EF4230U	234	\$59	EF4897BP	238	\$342	EFL3030656S	229	\$891
EF4230U18GA	235	\$114	EF4897CP	238	\$342	EFL3030767S	230	\$1,041
EF4236U18GA	235	\$116	EF48CS	235	\$10	EFL3030868S	231	\$1,155
EF4236U18GA	244	\$116	EF48CS	245	\$10	EFL3030979S	232	\$1,267
EF4243BP	238	\$212	EF48RS	236	\$265	EFL3609433S	228	\$391
EF4243CP	238	\$220	EF48WSB	237	\$32	EFL3609656S	229	\$577
EF4265BP	238	\$238	EFL2409433S	228	\$391	EFL3609767S	230	\$661
EF4265CP	238	\$238	EFL2409656S	229	\$577	EFL3609868S	231	\$729
EF4276BP	238	\$243	EFL2409767S	230	\$661	EFL3609979S	232	\$815
EF4276CP	238	\$243	EFL2409868S	231	\$729	EFL3612433S	228	\$374
EF4286BP	238	\$269	EFL2409979S	232	\$753	EFL3612656S	229	\$545
EF4286CP	238	\$269	EFL2412433S	228	\$371	EFL3612767S	230	\$624
EF4297BP	238	\$330	EFL2412656S	229	\$542	EFL3612868S	231	\$687
EF4297CP	238	\$330	EFL2412767S	230	\$621	EFL3612979S	232	\$768
EF42CS	235	\$10	EFL2412868S	231	\$684	EFL3615433S	228	\$395
EF42CS	245	\$10	EFL2412979S	232	\$765	EFL3615656S	229	\$575
EF42RS	236	\$253	EFL2415433S	228	\$391	EFL3615767S	230	\$651
EF42WSB	237	\$32	EFL2415656S	229	\$571	EFL3615868S	231	\$727
EF4802KP	236	\$27	EFL2415767S	230	\$647	EFL3615979S	232	\$805
EF4806KP	236	\$43	EFL2415868S	231	\$723	EFL3618433S	228	\$496
EF4809S	234	\$37	EFL2415979S	232	\$801	EFL3618656S	229	\$759
EF4809S18GA	235	\$56	EFL2418433S	228	\$485	EFL3618767S	230	\$853
EF4809U	234	\$36	EFL2418656S	229	\$755	EFL3618868S	231	\$989
EF4809U18GA	235	\$52	EFL2418767S	230	\$849	EFL3618979S	232	\$1,095
EF4811SS	236	\$15	EFL2418868S	231	\$985	EFL3624433S	228	\$522
EF4811SSB	236	\$17	EFL2418979S	232	\$1,091	EFL3624656S	229	\$793
EF4811SSB	245	\$17	EFL2424433S	228	\$509	EFL3624767S	230	\$915

DESKING  
CASEGOODS  
CONFERENCE & TRAINING TABLES  
SEATING  
STORAGE & FILING  
SPECIALTY SOLUTIONS  
COMM FORMS  
PRODUCT INDEX

# Index

Model No.	Page	List Price
EFL3624868S	231	\$1,031
EFL3624979S	232	\$1,147
EFL3630433S	228	\$571
EFL3630656S	229	\$891
EFL3630767S	230	\$1,041
EFL3630868S	231	\$1,155
EFL3630979S	232	\$1,267
EFL4209433S	228	\$403
EFL4209656S	229	\$601
EFL4209767S	230	\$689
EFL4209868S	231	\$761
EFL4209979S	232	\$851
EFL4212433S	228	\$394
EFL4212656S	229	\$583
EFL4212767S	230	\$668
EFL4212868S	231	\$737
EFL4212979S	232	\$824
EFL4215433S	228	\$433
EFL4215656S	229	\$646
EFL4215767S	230	\$733
EFL4215868S	231	\$820
EFL4215979S	232	\$909
EFL4218433S	228	\$513
EFL4218656S	229	\$804
EFL4218767S	230	\$905
EFL4218868S	231	\$1,048
EFL4218979S	232	\$1,161
EFL4224433S	228	\$554
EFL4224656S	229	\$872
EFL4224767S	230	\$1,006
EFL4224868S	231	\$1,134
EFL4224979S	232	\$1,262
EFL4230433S	228	\$623
EFL4230656S	229	\$985
EFL4230767S	230	\$1,149
EFL4230868S	231	\$1,277
EFL4230979S	232	\$1,403
EFL4809433S	228	\$443
EFL4809656S	229	\$674
EFL4809767S	230	\$773
EFL4809868S	231	\$856
EFL4809979S	232	\$957
EFL4812433S	228	\$440
EFL4812656S	229	\$671
EFL4812767S	230	\$770
EFL4812868S	231	\$853
EFL4812979S	232	\$954
EFL4815433S	228	\$472
EFL4815656S	229	\$721
EFL4815767S	230	\$820
EFL4815868S	231	\$919
EFL4815979S	232	\$1,020
EFL4818433S	228	\$553
EFL4818656S	229	\$877
EFL4818767S	230	\$989
EFL4818868S	231	\$1,143
EFL4818979S	232	\$1,267
EFL4824433S	228	\$603
EFL4824656S	229	\$966
EFL4824767S	230	\$1,192
EFL4824868S	231	\$1,346
EFL4824979S	232	\$1,500

Model No.	Page	List Price
EFL4830433S	228	\$664
EFL4830656S	229	\$1,065
EFL4830767S	230	\$1,242
EFL4830868S	231	\$1,383
EFL4830979S	232	\$1,522
EFO2409433A	228	\$306
EFO2409656A	229	\$492
EFO2409767A	230	\$563
EFO2409868A	231	\$625
EFO2409979A	232	\$687
EFO2412433A	228	\$287
EFO2412656A	229	\$458
EFO2412767A	230	\$524
EFO2412868A	231	\$581
EFO2412979A	232	\$638
EFO2415433A	228	\$301
EFO2415656A	229	\$481
EFO2415767A	230	\$553
EFO2415868A	231	\$613
EFO2415979A	232	\$673
EFO2418433A	228	\$403
EFO2418656A	229	\$635
EFO2418767A	230	\$738
EFO2418868A	231	\$827
EFO2418979A	232	\$911
EFO2424433A	228	\$419
EFO2424656A	229	\$683
EFO2424767A	230	\$772
EFO2424868A	231	\$863
EFO2424979A	232	\$951
EFO2430433A	228	\$452
EFO2430656A	229	\$740
EFO2430767A	230	\$849
EFO2430868A	231	\$939
EFO2430979A	232	\$1,035
EFO3009433A	228	\$306
EFO3009656A	229	\$492
EFO3009767A	230	\$563
EFO3009868A	231	\$625
EFO3009979A	232	\$687
EFO3012433A	228	\$287
EFO3012656A	229	\$458
EFO3012767A	230	\$524
EFO3012868A	231	\$581
EFO3012979A	232	\$638
EFO3015433A	228	\$301
EFO3015656A	229	\$481
EFO3015767A	230	\$553
EFO3015868A	231	\$613
EFO3015979A	232	\$673
EFO3018433A	228	\$407
EFO3018656A	229	\$659
EFO3018767A	230	\$742
EFO3018868A	231	\$831
EFO3018979A	232	\$915
EFO3024433A	228	\$421
EFO3024656A	229	\$685
EFO3024767A	230	\$774
EFO3024868A	231	\$865
EFO3024979A	232	\$953
EFO3030433A	228	\$454
EFO3030656A	229	\$742

Model No.	Page	List Price
EFO3030767A	230	\$851
EFO3030868A	231	\$941
EFO3030979A	232	\$1,037
EFO3609433A	228	\$306
EFO3609656A	229	\$492
EFO3609767A	230	\$563
EFO3609868A	231	\$625
EFO3609979A	232	\$687
EFO3612433A	228	\$290
EFO3612656A	229	\$461
EFO3612767A	230	\$527
EFO3612868A	231	\$584
EFO3612979A	232	\$641
EFO3615433A	228	\$305
EFO3615656A	229	\$485
EFO3615767A	230	\$557
EFO3615868A	231	\$617
EFO3615979A	232	\$677
EFO3618433A	228	\$407
EFO3618656A	229	\$659
EFO3618767A	230	\$742
EFO3618868A	231	\$831
EFO3618979A	232	\$915
EFO3624433A	228	\$421
EFO3624656A	229	\$685
EFO3624767A	230	\$774
EFO3624868A	231	\$865
EFO3624979A	232	\$953
EFO3630433A	228	\$454
EFO3630656A	229	\$742
EFO3630767A	230	\$851
EFO3630868A	231	\$941
EFO3630979A	232	\$1,037
EFO4209433A	228	\$318
EFO4209656A	229	\$516
EFO4209767A	230	\$591
EFO4209868A	231	\$657
EFO4209979A	232	\$723
EFO4212433A	228	\$310
EFO4212656A	229	\$499
EFO4212767A	230	\$571
EFO4212868A	231	\$634
EFO4212979A	232	\$697
EFO4215433A	228	\$343
EFO4215656A	229	\$556
EFO4215767A	230	\$639
EFO4215868A	231	\$710
EFO4215979A	232	\$770
EFO4218433A	228	\$431
EFO4218656A	229	\$704
EFO4218767A	230	\$794
EFO4218868A	231	\$890
EFO4218979A	232	\$981
EFO4224433A	228	\$464
EFO4224656A	229	\$764
EFO4224767A	230	\$865
EFO4224868A	231	\$968
EFO4224979A	232	\$1,068
EFO4230433A	228	\$506
EFO4230656A	229	\$836
EFO4230767A	230	\$959
EFO4230868A	231	\$1,063



# Index

Model No.	Page	List Price	Model No.	Page	List Price	Model No.	Page	List Price
EFO4230979A	232	\$1,173	EFPL368211	241	\$5,203	EFT3015656A	229	\$542
EFO4809433A	228	\$358	EFPL36832	241	\$5,522	EFT3015767A	230	\$613
EFO4809656A	229	\$589	EFPL368322	241	\$9,189	EFT3015868A	231	\$854
EFO4809767A	230	\$675	EFPL36843	241	\$7,692	EFT3015979A	232	\$758
EFO4809868A	231	\$752	EFPL368433	241	\$12,945	EFT3018433A	228	\$469
EFO4809979A	232	\$829	EFPL42721	241	\$3,323	EFT3018656A	229	\$733
EFO4812433A	228	\$356	EFPL427211	241	\$5,407	EFT3018767A	230	\$837
EFO4812656A	229	\$587	EFPL42732	241	\$5,584	EFT3018868A	231	\$928
EFO4812767A	230	\$673	EFPL427322	241	\$9,358	EFT3018979A	232	\$1,025
EFO4812868A	231	\$750	EFPL42743	241	\$7,901	EFT3024433A	228	\$490
EFO4812979A	232	\$827	EFPL427433	241	\$13,421	EFT3024656A	229	\$763
EFO4815433A	228	\$382	EFPL42821	241	\$3,524	EFT3024767A	230	\$869
EFO4815656A	229	\$631	EFPL428211	241	\$5,677	EFT3024868A	231	\$970
EFO4815767A	230	\$726	EFPL42832	241	\$5,917	EFT3024979A	232	\$1,071
EFO4815868A	231	\$809	EFPL428322	241	\$9,829	EFT3030433A	228	\$545
EFO4815979A	232	\$892	EFPL42843	241	\$8,366	EFT3030656A	229	\$848
EFO4818433A	228	\$471	EFPL428433	241	\$14,093	EFT3030767A	230	\$970
EFO4818656A	229	\$777	EFSR3676410A	239	\$2,978	EFT3030868A	231	\$1,078
EFO4818767A	230	\$878	EFSR3676410S	239	\$2,994	EFT3030979A	232	\$1,187
EFO4818868A	231	\$985	EFSR367676A	239	\$5,078	EFT3609433A	228	\$359
EFO4818979A	232	\$1,087	EFSR367676S	239	\$5,142	EFT3609656A	229	\$545
EFO4824433A	228	\$513	EFT2409433A	228	\$359	EFT3609767A	230	\$619
EFO4824656A	229	\$858	EFT2409656A	229	\$545	EFT3609868A	231	\$684
EFO4824767A	230	\$1,051	EFT2409767A	230	\$763	EFT3609979A	232	\$757
EFO4824868A	231	\$1,180	EFT2409868A	231	\$684	EFT3612433A	228	\$345
EFO4824979A	232	\$1,306	EFT2409979A	232	\$757	EFT3612656A	229	\$516
EFO4830433A	228	\$547	EFT2412433A	228	\$342	EFT3612767A	230	\$585
EFO4830656A	229	\$916	EFT2412656A	229	\$513	EFT3612868A	231	\$655
EFO4830767A	230	\$1,052	EFT2412767A	230	\$582	EFT3612979A	232	\$725
EFO4830868A	231	\$1,169	EFT2412868A	231	\$652	EFT3615433A	228	\$366
EFO4830979A	232	\$1,292	EFT2412979A	232	\$722	EFT3615656A	229	\$546
FFPG36721	242	\$3,151	EFT2415433A	228	\$362	EFT3615767A	230	\$617
FFPG367211	242	\$5,094	EFT2415656A	229	\$542	EFT3615868A	231	\$690
FFPG36732	242	\$5,386	EFT2415767A	230	\$613	EFT3615979A	232	\$762
FFPG367322	242	\$9,007	EFT2415868A	231	\$686	EFT3618433A	228	\$469
FFPG36743	242	\$7,506	EFT2415979A	232	\$758	EFT3618656A	229	\$733
FFPG367433	242	\$12,690	EFT2418433A	228	\$465	EFT3618767A	230	\$837
FFPG36821	242	\$3,363	EFT2418656A	229	\$696	EFT3618868A	231	\$928
FFPG368211	242	\$5,382	EFT2418767A	230	\$833	EFT3618979A	232	\$1,025
FFPG36832	242	\$5,734	EFT2418868A	231	\$924	EFT3624433A	228	\$490
FFPG368322	242	\$9,507	EFT2418979A	232	\$1,021	EFT3624656A	229	\$763
FFPG36843	242	\$7,990	EFT2424433A	228	\$488	EFT3624767A	230	\$869
FFPG368433	242	\$13,402	EFT2424656A	229	\$761	EFT3624868A	231	\$970
FFPG42721	242	\$3,521	EFT2424767A	230	\$867	EFT3624979A	232	\$1,071
FFPG427211	242	\$5,670	EFT2424868A	231	\$968	EFT3630433A	228	\$545
FFPG42732	242	\$6,028	EFT2424979A	232	\$1,069	EFT3630656A	229	\$806
FFPG427322	242	\$10,045	EFT2430433A	228	\$543	EFT3630767A	230	\$970
FFPG42743	242	\$8,349	EFT2430656A	229	\$846	EFT3630868A	231	\$1,078
FFPG427433	242	\$14,080	EFT2430767A	230	\$968	EFT3630979A	232	\$1,187
FFPG42821	242	\$3,766	EFT2430868A	231	\$1,076	EFT4209433A	228	\$371
FFPG428211	242	\$6,002	EFT2430979A	232	\$1,185	EFT4209656A	229	\$569
FFPG42832	242	\$6,431	EFT3009433A	228	\$359	EFT4209767A	230	\$647
FFPG428322	242	\$10,622	EFT3009656A	229	\$545	EFT4209868A	231	\$716
FFPG42843	242	\$8,910	EFT3009767A	230	\$619	EFT4209979A	232	\$793
FFPG428433	242	\$14,870	EFT3009868A	231	\$684	EFT4212433A	228	\$365
EFPL36721	241	\$3,054	EFT3009979A	232	\$757	EFT4212656A	229	\$554
EFPL367211	241	\$4,957	EFT3012433A	228	\$342	EFT4212767A	230	\$629
EFPL36732	241	\$5,219	EFT3012656A	229	\$513	EFT4212868A	231	\$716
EFPL367322	241	\$8,760	EFT3012767A	230	\$582	EFT4212979A	232	\$781
EFPL36743	241	\$7,269	EFT3012868A	231	\$652	EFT4215433A	228	\$404
EFPL367433	241	\$12,333	EFT3012979A	232	\$722	EFT4215656A	229	\$617
EFPL36821	241	\$3,237	EFT3015433A	228	\$362	EFT4215767A	230	\$699

DESKING  
CASEGOODS  
CONFERENCE & TRAINING TABLES  
SEATING  
STORAGE & FILING  
SPECIALTY SOLUTIONS  
COMM FORMS  
PRODUCT INDEX

# Index

Model No.	Page	List Price
EFT4215868A	231	\$783
EFT4215979A	232	\$866
EFT4218433A	228	\$493
EFT4218656A	229	\$778
EFT4218767A	230	\$889
EFT4218868A	231	\$987
EFT4218979A	232	\$1,091
EFT4224433A	228	\$533
EFT4224656A	229	\$842
EFT4224767A	230	\$960
EFT4224868A	231	\$1,073
EFT4224979A	232	\$1,186
EFT4230433A	228	\$597
EFT4230656A	229	\$942
EFT4230767A	230	\$1,078
EFT4230868A	231	\$1,200
EFT4230979A	232	\$1,323
EFT4809433A	228	\$411
EFT4809656A	229	\$642
EFT4809767A	230	\$731
EFT4809868A	231	\$811
EFT4809979A	232	\$899
EFT4812433A	228	\$411
EFT4812656A	229	\$642
EFT4812767A	230	\$731
EFT4812868A	231	\$821
EFT4812979A	232	\$911
EFT4815433A	228	\$443
EFT4815656A	229	\$692
EFT4815767A	230	\$786
EFT4815868A	231	\$882
EFT4815979A	232	\$977
EFT4818433A	228	\$533
EFT4818656A	229	\$851
EFT4818767A	230	\$973
EFT4818868A	231	\$1,082
EFT4818979A	232	\$1,197
EFT4824433A	228	\$582
EFT4824656A	229	\$1,002
EFT4824767A	230	\$1,146
EFT4824868A	231	\$1,285
EFT4824979A	232	\$1,424
EFT4830433A	228	\$638
EFT4830656A	229	\$1,022
EFT4830767A	230	\$1,171
EFT4830868A	231	\$1,306
EFT4830979A	232	\$1,442
EL5	157	\$3,092
EL6	159	\$2,211
ELB5	157	\$3,092
ELB6	159	\$2,211
EML3652X	226	\$13,182
EML3653X	226	\$17,208
EML3654X	226	\$21,228
EML3672G	226	\$10,557
EML3672L	225	\$9,931
EML3673G	226	\$13,821
EML3673L	225	\$12,839
EML3674G	226	\$17,006
EML3674L	225	\$15,903
EML4852X	226	\$13,521
EML4853X	226	\$17,597

Model No.	Page	List Price
EML4854X	226	\$21,667
EML4872G	226	\$11,183
EML4872L	225	\$10,640
EML4873G	226	\$14,604
EML4873L	225	\$13,857
EML4874G	226	\$17,946
EML4874L	225	\$17,023
EML7272G	226	\$16,253
EML7272L	225	\$15,277
EML7273G	226	\$21,182
EML7273L	225	\$19,712
EML7274G	226	\$25,994
EML7274L	225	\$24,295
EML9672L	225	\$16,950
EML9673L	225	\$22,247
EML9674L	225	\$26,987
ENC1	190	\$5,286
ENC2	190	\$3,741
ESC2	211	\$808
ESS2	211	\$574
ESS2	309	\$574
EST	211	\$291
EST	309	\$291
EU1	158	\$4,541
EU2	160	\$3,660
EU3	158	\$3,610
EU4	159	\$2,729
EUB1	158	\$4,541
EUB2	160	\$3,660
EUB3	158	\$3,610
EUB4	159	\$2,729
EX2418S	244	\$53
EX2436S	244	\$99
EX24SS	245	\$19
EX3018S	244	\$47
EX3036S	244	\$99
EX30SS	245	\$19
EX3618S	244	\$55
EX3636S	244	\$102
EX36SS	245	\$19
EX4218S	244	\$53
EX4236S	244	\$102
EX42SS	245	\$19
EX4818S	244	\$59
EX4836S	244	\$109
EX48SS	245	\$19
EXL2418865S	243	\$961
EXL2436865S	243	\$1,555
EXL3018865S	243	\$934
EXL3036865S	243	\$1,567
EXL3618865S	243	\$979
EXL3636865S	243	\$1,584
EXL4218865S	243	\$974
EXL4236865S	243	\$1,589
EXL4818865S	243	\$1,001
EXL4836865S	243	\$1,624
EXT2418865A	244	\$900
EXT2436865A	244	\$1,364
EXT3018865A	244	\$873
EXT3036865A	244	\$1,376
EXT3618865A	244	\$918

Model No.	Page	List Price
EXT3636865A	244	\$1,393
EXT4218865A	244	\$913
EXT4236865A	244	\$1,398
EXT4818865A	244	\$940
EXT4836865A	244	\$1,433
EZ3023	27	\$656
EZ3023B	27	\$904
EZ3023BF	27	\$1,185
EZ3023BS	27	\$1,049
EZ3023F	27	\$953
EZ3023S	27	\$804
EZ3623	27	\$730
EZ3623B	27	\$979
EZ3623BF	27	\$1,296
EZ3623BS	27	\$1,120
EZ3623F	27	\$1,034
EZ3623S	27	\$883
EZ3624LR	23	\$450
EZ3624LRMA	23	\$851
EZ3624LRML	23	\$747
EZ3624RR	22	\$313
EZ3624RRMA	22	\$714
EZ3624RRML	22	\$610
EZ3624SR	22	\$419
EZ3624SRMA	22	\$820
EZ3624SRML	22	\$716
EZ3628	28	\$1,008
EZ3628F	28	\$1,278
EZ3628FF	28	\$1,595
EZ3628L	28	\$1,184
EZ3630LR	23	\$441
EZ3630LRMA	23	\$842
EZ3630LRML	23	\$738
EZ4223	27	\$746
EZ4223B	27	\$1,004
EZ4223BS	27	\$1,145
EZ4223S	27	\$904
EZ4224LR	23	\$467
EZ4224LRMA	23	\$919
EZ4224LRML	23	\$775
EZ4224RR	22	\$363
EZ4224RRMA	22	\$815
EZ4224RRML	22	\$912
EZ4224SR	22	\$436
EZ4224SRMA	22	\$888
EZ4224SRML	22	\$744
EZ4230LR	23	\$477
EZ4230LRMA	23	\$929
EZ4230LRML	23	\$785
EZ4823	27	\$771
EZ4823B	27	\$1,029
EZ4823BS	27	\$1,170
EZ4823S	27	\$929
EZ4824CB	20	\$1,280
EZ4824CBMA	20	\$1,681
EZ4824CBML	20	\$1,577
EZ4824CF	20	\$1,236
EZ4824CFMA	20	\$1,637
EZ4824CFML	20	\$1,533
EZ4824KB	24	\$1,200
EZ4824KF	24	\$1,156
EZ4824LB	19	\$1,291

# Index

Model No.	Page	List Price	Model No.	Page	List Price	Model No.	Page	List Price
EZ4824LBMA	19	\$1,692	EZ6024BFMA	20	\$2,347	EZ6030BFMA	20	\$2,457
EZ4824LBML	19	\$1,588	EZ6024BFMA	26	\$2,347	EZ6030BFML	20	\$2,358
EZ4824LC	18	\$600	EZ6024BFML	20	\$2,248	EZ6030CB	20	\$1,367
EZ4824LCMA	18	\$1,082	EZ6024BFML	26	\$2,248	EZ6030CBMA	20	\$1,849
EZ4824LCML	18	\$912	EZ6024CB	20	\$1,309	EZ6030CBML	20	\$1,679
EZ4824LF	19	\$1,247	EZ6024CBMA	20	\$1,791	EZ6030CF	20	\$1,323
EZ4824LFMA	19	\$1,648	EZ6024CBML	20	\$1,621	EZ6030CFMA	20	\$1,805
EZ4824LFML	19	\$1,544	EZ6024CF	20	\$1,265	EZ6030CFML	20	\$1,635
EZ4824LL	18	\$611	EZ6024CFMA	20	\$1,747	EZ6030FF	20	\$2,021
EZ4824LLMA	18	\$1,093	EZ6024CFML	20	\$1,577	EZ6030FFMA	20	\$2,413
EZ4824LLML	18	\$923	EZ6024FF	20	\$1,911	EZ6030FFML	20	\$2,314
EZ4824LR	23	\$510	EZ6024FF	25	\$1,911	EZ6030KB	24	\$1,277
EZ4824LRMA	23	\$992	EZ6024FFMA	20	\$2,303	EZ6030KF	24	\$1,233
EZ4824LRML	23	\$822	EZ6024FFMA	25	\$2,303	EZ6030LB	19	\$1,378
EZ4824LS	18	\$580	EZ6024FFML	20	\$2,204	EZ6030LBMA	19	\$1,860
EZ4824LSMA	18	\$1,032	EZ6024FFML	25	\$2,204	EZ6030LBML	19	\$1,690
EZ4824LSML	18	\$888	EZ6024KB	24	\$1,219	EZ6030LC	18	\$636
EZ4824LW	24	\$499	EZ6024KF	24	\$1,175	EZ6030LCMA	18	\$1,287
EZ4824RB	23	\$1,188	EZ6024LB	19	\$1,320	EZ6030LCML	18	\$982
EZ4824RBMA	23	\$1,589	EZ6024LB	25	\$1,320	EZ6030LF	19	\$1,334
EZ4824RBML	23	\$1,481	EZ6024LBMA	19	\$1,802	EZ6030LFMA	19	\$1,816
EZ4824RF	23	\$1,144	EZ6024LBMA	25	\$1,802	EZ6030LFML	19	\$1,646
EZ4824RFMA	23	\$1,545	EZ6024LBML	19	\$1,632	EZ6030LL	18	\$647
EZ4824RFML	23	\$1,441	EZ6024LBML	25	\$1,632	EZ6030LLMA	18	\$1,129
EZ4824RR	22	\$404	EZ6024LC	18	\$630	EZ6030LLML	18	\$993
EZ4824RRMA	22	\$886	EZ6024LC	25	\$630	EZ6030LS	18	\$616
EZ4824RRML	22	\$716	EZ6024LCMA	18	\$1,281	EZ6030LSMA	18	\$1,265
EZ4824SB	20	\$1,260	EZ6024LCMA	25	\$1,281	EZ6030LSML	18	\$932
EZ4824SBMA	20	\$1,652	EZ6024LCML	18	\$976	EZ6030LW	24	\$535
EZ4824SBML	20	\$1,553	EZ6024LCML	25	\$976	EZ6030SB	20	\$1,347
EZ4824SF	20	\$1,216	EZ6024LF	19	\$1,276	EZ6030SBMA	20	\$1,799
EZ4824SFMA	20	\$1,608	EZ6024LF	25	\$1,276	EZ6030SBML	20	\$1,655
EZ4824SFML	20	\$1,509	EZ6024LFMA	19	\$1,758	EZ6030SF	20	\$1,303
EZ4824SR	22	\$479	EZ6024LFMA	25	\$1,758	EZ6030SFMA	20	\$1,755
EZ4824SRMA	22	\$961	EZ6024LFML	19	\$1,588	EZ6030SFML	20	\$1,611
EZ4824SRML	22	\$791	EZ6024LFML	25	\$1,588	EZ6036BB	20	\$2,292
EZ4830KB	24	\$1,258	EZ6024LL	18	\$641	EZ6036BBMA	20	\$2,684
EZ4830KF	24	\$1,214	EZ6024LL	25	\$641	EZ6036BBML	20	\$2,585
EZ4830LL	18	\$617	EZ6024LLMA	18	\$1,292	EZ6036BF	20	\$2,223
EZ4830LLMA	18	\$1,099	EZ6024LLMA	25	\$1,292	EZ6036BFMA	20	\$2,615
EZ4830LLML	18	\$929	EZ6024LLML	18	\$987	EZ6036BFML	20	\$2,516
EZ4830LR	23	\$516	EZ6024LLML	25	\$987	EZ6036CB	20	\$1,483
EZ4830LRMA	23	\$998	EZ6024LS	18	\$610	EZ6036CBMA	20	\$1,965
EZ4830LRML	23	\$828	EZ6024LS	25	\$610	EZ6036CBML	20	\$1,795
EZ4830LS	18	\$586	EZ6024LSMA	18	\$1,259	EZ6036CF	20	\$1,414
EZ4830LSMA	18	\$1,038	EZ6024LSMA	25	\$1,259	EZ6036CFMA	20	\$1,896
EZ4830LSML	18	\$894	EZ6024LSML	18	\$926	EZ6036CFML	20	\$1,726
EZ4830LW	24	\$505	EZ6024LSML	25	\$926	EZ6036FF	20	\$2,154
EZ4830RB	23	\$1,246	EZ6024LW	24	\$529	EZ6036FFMA	20	\$2,546
EZ4830RBMA	23	\$1,647	EZ6024SB	20	\$1,289	EZ6036FFML	20	\$2,447
EZ4830RBML	23	\$1,543	EZ6024SB	25	\$1,289	EZ6036LB	19	\$1,494
EZ4830RF	23	\$1,202	EZ6024SBMA	20	\$1,741	EZ6036LBMA	19	\$1,976
EZ4830RFMA	23	\$1,603	EZ6024SBMA	25	\$1,741	EZ6036LBML	19	\$1,806
EZ4830RFML	23	\$1,499	EZ6024SBML	20	\$1,582	EZ6036LC	18	\$685
EZ6024BB	20	\$1,999	EZ6024SBML	25	\$1,582	EZ6036LCMA	18	\$1,336
EZ6024BB	25	\$1,999	EZ6024SF	20	\$1,245	EZ6036LCML	18	\$1,031
EZ6024BBMA	20	\$2,391	EZ6024SFMA	20	\$1,697	EZ6036LF	19	\$1,425
EZ6024BBMA	25	\$2,391	EZ6024SFML	20	\$1,553	EZ6036LFMA	19	\$1,907
EZ6024BBML	20	\$2,292	EZ6030BB	20	\$2,109	EZ6036LFML	19	\$1,737
EZ6024BBML	25	\$2,292	EZ6030BBMA	20	\$2,501	EZ6036LL	18	\$696
EZ6024BF	20	\$1,955	EZ6030BBML	20	\$2,402	EZ6036LLMA	18	\$1,347
EZ6024BF	26	\$1,955	EZ6030BF	20	\$2,065	EZ6036LLML	18	\$1,042

DESKING  
 CASEGOODS  
 CONFERENCE & TRAINING TABLES  
 SEATING  
 STORAGE & FILING  
 SPECIALTY SOLUTIONS  
 COM FORMS  
 PRODUCT INDEX



## Index

Model No.	Page	List Price
EZ6036LS	18	\$665
EZ6036LSMA	18	\$1,314
EZ6036LSML	18	\$981
EZ6036SB	20	\$1,463
EZ6036SBMA	20	\$1,915
EZ6036SBML	20	\$1,771
EZ6036SF	20	\$1,394
EZ6036SFMA	20	\$1,846
EZ6036SFML	20	\$1,702
EZ7224BB	20	\$2,040
EZ7224BB	25	\$2,040
EZ7224BBMA	20	\$2,492
EZ7224BBMA	25	\$2,492
EZ7224BBML	20	\$2,348
EZ7224BBML	25	\$2,348
EZ7224BF	20	\$1,996
EZ7224BF	26	\$1,996
EZ7224BFMA	20	\$2,448
EZ7224BFMA	26	\$2,448
EZ7224BFML	20	\$2,304
EZ7224BFML	26	\$2,304
EZ7224CB	20	\$1,348
EZ7224CBMA	20	\$1,999
EZ7224CBML	20	\$1,694
EZ7224CF	20	\$1,304
EZ7224CFMA	20	\$1,955
EZ7224CFML	20	\$1,650
EZ7224FF	20	\$1,952
EZ7224FF	25	\$1,952
EZ7224FFMA	20	\$2,404
EZ7224FFMA	25	\$2,404
EZ7224FFML	20	\$2,260
EZ7224FFML	25	\$2,260
EZ7224KB	24	\$1,250
EZ7224KF	24	\$1,206
EZ7224LB	19	\$1,359
EZ7224LB	25	\$1,359
EZ7224LBMA	19	\$2,010
EZ7224LBMA	25	\$2,010
EZ7224LBML	19	\$1,705
EZ7224LBML	25	\$1,705
EZ7224LC	18	\$668
EZ7224LC	25	\$668
EZ7224LCMA	18	\$1,346
EZ7224LCMA	25	\$1,346
EZ7224LCML	18	\$1,025
EZ7224LCML	25	\$1,025
EZ7224LF	19	\$1,315
EZ7224LF	25	\$1,315
EZ7224LFMA	19	\$1,966
EZ7224LFMA	25	\$1,966
EZ7224LFML	19	\$1,661
EZ7224LFML	25	\$1,661
EZ7224LL	18	\$679
EZ7224LL	25	\$679
EZ7224LLMA	18	\$1,357
EZ7224LLMA	25	\$1,357
EZ7224LLML	18	\$1,036
EZ7224LLML	25	\$1,036
EZ7224LS	18	\$648
EZ7224LS	25	\$648
EZ7224LSMA	18	\$1,315

Model No.	Page	List Price
EZ7224LSMA	25	\$1,315
EZ7224LSML	18	\$999
EZ7224LSML	25	\$999
EZ7224LW	24	\$567
EZ7224SB	20	\$1,328
EZ7224SB	25	\$1,328
EZ7224SBMA	20	\$1,977
EZ7224SBMA	25	\$1,977
EZ7224SBML	20	\$1,644
EZ7224SBML	25	\$1,644
EZ7224SF	20	\$1,284
EZ7224SFMA	20	\$1,933
EZ7224SFML	20	\$1,600
EZ7228	26	\$1,810
EZ7228	28	\$1,810
EZ7228L	26	\$2,201
EZ7228L	28	\$2,201
EZ7230BB	20	\$2,154
EZ7230BBMA	20	\$2,606
EZ7230BBML	20	\$2,462
EZ7230BF	20	\$2,110
EZ7230BFMA	20	\$2,562
EZ7230BFML	20	\$2,418
EZ7230CB	20	\$1,410
EZ7230CBMA	20	\$2,061
EZ7230CBML	20	\$1,756
EZ7230CF	20	\$1,366
EZ7230CFMA	20	\$2,017
EZ7230CFML	20	\$1,712
EZ7230FF	20	\$2,066
EZ7230FFMA	20	\$2,518
EZ7230FFML	20	\$2,374
EZ7230KB	24	\$1,312
EZ7230KF	24	\$1,268
EZ7230LB	19	\$1,421
EZ7230LBMA	19	\$2,072
EZ7230LBML	19	\$1,767
EZ7230LC	18	\$678
EZ7230LCMA	18	\$1,356
EZ7230LCML	18	\$1,035
EZ7230LF	19	\$1,377
EZ7230LFMA	19	\$2,028
EZ7230LFML	19	\$1,723
EZ7230LL	18	\$689
EZ7230LLMA	18	\$1,367
EZ7230LLML	18	\$1,046
EZ7230LS	18	\$658
EZ7230LSMA	18	\$1,325
EZ7230LSML	18	\$1,009
EZ7230LW	24	\$577
EZ7230SB	20	\$1,390
EZ7230SBMA	20	\$2,039
EZ7230SBML	20	\$1,706
EZ7230SF	20	\$1,346
EZ7230SFMA	20	\$1,995
EZ7230SFML	20	\$1,662
EZ7236BB	20	\$2,340
EZ7236BBMA	20	\$2,792
EZ7236BBML	20	\$2,648
EZ7236BF	20	\$2,271
EZ7236BFMA	20	\$2,723
EZ7236BFML	20	\$2,579

Model No.	Page	List Price
EZ7236CB	20	\$1,529
EZ7236CBMA	20	\$2,180
EZ7236CBML	20	\$1,875
EZ7236CF	20	\$1,460
EZ7236CFMA	20	\$2,111
EZ7236CFML	20	\$1,806
EZ7236FF	20	\$2,202
EZ7236FFMA	20	\$2,654
EZ7236FFML	20	\$2,510
EZ7236LB	19	\$1,540
EZ7236LBMA	19	\$2,191
EZ7236LBML	19	\$1,886
EZ7236LC	18	\$730
EZ7236LCMA	18	\$1,408
EZ7236LCML	18	\$1,087
EZ7236LF	19	\$1,471
EZ7236LFMA	19	\$2,122
EZ7236LFML	19	\$1,817
EZ7236LL	18	\$741
EZ7236LLMA	18	\$1,419
EZ7236LLML	18	\$1,098
EZ7236LS	18	\$710
EZ7236LSMA	18	\$1,377
EZ7236LSML	18	\$1,061
EZ7236SB	20	\$1,509
EZ7236SBMA	20	\$2,158
EZ7236SBML	20	\$1,825
EZ7236SF	20	\$1,440
EZ7236SFMA	20	\$2,089
EZ7236SFML	20	\$1,756
EZAPP24	26	\$392
EZAPP30	26	\$401
EZAPP36	26	\$452
EZAPP42	26	\$482
EZAPP48	26	\$649
EZAPP54	26	\$651
EZAPP60	26	\$667
EZAPP66	26	\$678
EZBC1	15	\$14,186
EZBC1A	15	\$13,102
EZBC1B	15	\$9,838
EZBC2	15	\$13,130
EZBC2A	16	\$12,047
EZBC2B	16	\$5,586
EZBC3	16	\$14,181
EZBC3629	29	\$681
EZBC3651	29	\$997
EZBC3662	29	\$1,067
EZBC3A	16	\$12,675
EZBC4	17	\$24,000
EZBC4A	17	\$20,852
EZBC4B	17	\$16,484
EZCA24	30	\$273
EZCL24	36	\$300
EZCL36	36	\$417
EZCL48	36	\$544
EZCRT	29	\$21
EZCS	30	\$300
EZCSHB	47	\$183
EZCSHF	47	\$183
EZDEB24	36	\$143
EZDEB30	36	\$158

# Index

Model No.	Page	List Price	Model No.	Page	List Price	Model No.	Page	List Price
EZDEB36	36	\$170	EZEP4830B	19	\$1,491	EZEP6030SML	19	\$992
EZDL	35	\$339	EZEP4830BMA	19	\$1,892	EZEP6036B	19	\$1,558
EZEC16	33	\$114	EZEP4830BML	19	\$1,788	EZEP6036BMA	19	\$2,040
EZEC164	33	\$322	EZEP4830C	18	\$749	EZEP6036BML	19	\$1,870
EZEC167	33	\$326	EZEP4830CMA	18	\$1,231	EZEP6036C	19	\$749
EZEC170	33	\$330	EZEP4830CML	18	\$1,061	EZEP6036CMA	19	\$1,400
EZEC173	33	\$334	EZEP4830F	19	\$1,447	EZEP6036CML	19	\$1,095
EZEC176	33	\$339	EZEP4830FMA	19	\$1,848	EZEP6036F	19	\$1,489
EZEC179	33	\$344	EZEP4830FML	19	\$1,744	EZEP6036FMA	19	\$1,971
EZEC182	33	\$348	EZEP4830L	18	\$760	EZEP6036FML	19	\$1,801
EZEC185	33	\$352	EZEP4830LMA	18	\$1,242	EZEP6036L	18	\$760
EZEC188	33	\$356	EZEP4830LML	18	\$1,072	EZEP6036LMA	18	\$1,411
EZEC19	33	\$118	EZEP4830R	23	\$658	EZEP6036LML	18	\$1,106
EZEC191	33	\$361	EZEP4830RMA	23	\$1,140	EZEP6036S	19	\$729
EZEC194	33	\$365	EZEP4830RML	23	\$970	EZEP6036SMA	19	\$1,378
EZEC197	33	\$368	EZEP4830S	19	\$729	EZEP6036SML	19	\$1,045
EZEC200	33	\$373	EZEP4830SMA	19	\$1,181	EZEP7224B	19	\$1,432
EZEC203	33	\$377	EZEP4830SML	19	\$1,037	EZEP7224B	26	\$1,432
EZEC206	33	\$381	EZEP6024B	19	\$1,335	EZEP7224BMA	19	\$2,083
EZEC22	33	\$122	EZEP6024B	26	\$1,335	EZEP7224BMA	26	\$2,083
EZEC25	33	\$126	EZEP6024BMA	19	\$1,817	EZEP7224BML	19	\$1,778
EZEC28	33	\$131	EZEP6024BMA	26	\$1,817	EZEP7224BML	26	\$1,778
EZEC31	33	\$135	EZEP6024BML	19	\$1,647	EZEP7224C	18	\$744
EZEC34	33	\$140	EZEP6024BML	26	\$1,647	EZEP7224C	26	\$744
EZEK48H	32	\$324	EZEP6024C	18	\$645	EZEP7224CMA	18	\$1,422
EZEK48P	32	\$324	EZEP6024C	26	\$645	EZEP7224CMA	26	\$1,422
EZEK60H	32	\$329	EZEP6024CMA	18	\$1,296	EZEP7224CML	18	\$1,101
EZEK60P	32	\$329	EZEP6024CMA	26	\$1,296	EZEP7224CML	26	\$1,101
EZEK72H	32	\$334	EZEP6024CML	18	\$991	EZEP7224F	19	\$1,388
EZEK72P	32	\$334	EZEP6024CML	26	\$991	EZEP7224F	26	\$1,388
EZEKSBH	32	\$209	EZEP6024F	19	\$1,291	EZEP7224FMA	19	\$2,039
EZEKSBP	32	\$209	EZEP6024F	26	\$1,291	EZEP7224FMA	26	\$2,039
EZEP3624R	23	\$439	EZEP6024FMA	19	\$1,773	EZEP7224FML	19	\$1,734
EZEP3624RMA	23	\$831	EZEP6024FMA	26	\$1,773	EZEP7224FML	26	\$1,734
EZEP3624RML	23	\$736	EZEP6024FML	19	\$1,603	EZEP7224L	18	\$755
EZEP3630R	23	\$494	EZEP6024FML	26	\$1,603	EZEP7224L	26	\$755
EZEP3630RMA	23	\$895	EZEP6024L	18	\$656	EZEP7224LMA	18	\$1,433
EZEP3630RML	23	\$791	EZEP6024L	26	\$656	EZEP7224LMA	26	\$1,433
EZEP4224R	23	\$470	EZEP6024LMA	18	\$1,307	EZEP7224LML	18	\$1,112
EZEP4224RMA	23	\$922	EZEP6024LMA	26	\$1,307	EZEP7224LML	26	\$1,112
EZEP4224RML	23	\$782	EZEP6024LML	18	\$1,002	EZEP7224S	19	\$724
EZEP4230R	23	\$532	EZEP6024LML	26	\$1,002	EZEP7224S	26	\$724
EZEP4230RMA	23	\$984	EZEP6024S	19	\$625	EZEP7224SMA	19	\$1,391
EZEP4230RML	23	\$840	EZEP6024S	26	\$625	EZEP7224SMA	26	\$1,391
EZEP4824B	19	\$1,293	EZEP6024SMA	19	\$1,274	EZEP7224SML	19	\$1,075
EZEP4824BMA	19	\$1,694	EZEP6024SMA	26	\$1,274	EZEP7224SML	26	\$1,075
EZEP4824BML	19	\$1,590	EZEP6024SML	19	\$941	EZEP7230B	19	\$1,496
EZEP4824C	18	\$603	EZEP6024SML	26	\$941	EZEP7230BMA	19	\$2,147
EZEP4824CMA	18	\$1,085	EZEP6030B	19	\$1,438	EZEP7230BML	19	\$1,842
EZEP4824CML	18	\$915	EZEP6030BMA	19	\$1,920	EZEP7230C	19	\$756
EZEP4824F	19	\$1,249	EZEP6030BML	19	\$1,750	EZEP7230CMA	19	\$1,434
EZEP4824FMA	19	\$1,650	EZEP6030C	18	\$696	EZEP7230CML	19	\$1,113
EZEP4824FML	19	\$1,546	EZEP6030CMA	18	\$1,347	EZEP7230F	19	\$1,452
EZEP4824L	18	\$614	EZEP6030CML	18	\$1,042	EZEP7230FMA	19	\$2,103
EZEP4824LMA	18	\$1,096	EZEP6030F	19	\$1,394	EZEP7230FML	19	\$1,798
EZEP4824LML	18	\$926	EZEP6030FMA	19	\$1,876	EZEP7230L	18	\$767
EZEP4824R	23	\$512	EZEP6030FML	19	\$1,706	EZEP7230LMA	18	\$1,445
EZEP4824RMA	23	\$994	EZEP6030L	18	\$707	EZEP7230LML	18	\$1,124
EZEP4824RML	23	\$824	EZEP6030LMA	18	\$1,358	EZEP7230S	19	\$736
EZEP4824S	19	\$583	EZEP6030LML	18	\$1,053	EZEP7230SMA	19	\$1,403
EZEP4824SMA	19	\$1,035	EZEP6030S	19	\$676	EZEP7230SML	19	\$1,087
EZEP4824SML	19	\$891	EZEP6030SMA	19	\$1,325	EZEP7236B	19	\$1,616

DESKING  
CASEGOODS  
CONFERENCE & TRAINING TABLES  
SEATING  
STORAGE & FILING  
SPECIALTY SOLUTIONS  
COM FORMS  
PRODUCT INDEX

## Index

Model No.	Page	List Price
EZEP7236BMA	19	\$2,267
EZEP7236BML	19	\$1,962
EZEP7236C	19	\$809
EZEP7236CMA	19	\$1,460
EZEP7236CML	19	\$1,166
EZEP7236F	19	\$1,547
EZEP7236FMA	19	\$2,198
EZEP7236FML	19	\$1,893
EZEP7236L	18	\$820
EZEP7236LMA	18	\$1,498
EZEP7236LML	18	\$1,177
EZEP7236S	19	\$789
EZEP7236SMA	19	\$1,456
EZEP7236SML	19	\$1,140
EZETP1K	34	\$140
EZETP2K	34	\$178
EZETP3K	34	\$251
EZETP4K	34	\$281
EZETP5K	34	\$283
EZETP6K	34	\$367
EZETP7K	34	\$88
EZETP8K	34	\$214
EZETP9K	34	\$284
EZETP10K	34	\$264
EZH24	30	\$374
EZH30	30	\$408
EZH30F	30	\$718
EZH30L	30	\$548
EZH36	30	\$444
EZH36F	30	\$757
EZH36L	30	\$605
EZH42F	30	\$804
EZH42L	30	\$647
EZH48F	30	\$818
EZH48L	30	\$661
EZH60F	30	\$1,285
EZH60L	30	\$958
EZH72F	30	\$1,332
EZH72L	30	\$1,000
EZH78F	30	\$1,351
EZH78L	30	\$1,020
EZHL7224KB	24	\$1,404
EZHL7224KF	24	\$1,360
EZHL7224LB	21	\$1,513
EZHL7224LBMA	21	\$2,164
EZHL7224LBML	21	\$1,859
EZHL7224LC	21	\$822
EZHL7224LCMA	21	\$1,489
EZHL7224LCML	21	\$1,173
EZHL7224LF	21	\$1,469
EZHL7224LFMA	21	\$2,120
EZHL7224LFML	21	\$1,020
EZHL7224LL	21	\$833
EZHL7224LLMA	21	\$1,500
EZHL7224LLML	21	\$1,190
EZHL7224LS	21	\$1,482
EZHL7224LSMA	21	\$1,469
EZHL7224LSML	21	\$1,153
EZHL7224LW	24	\$721
EZHL7224SB	21	\$1,482
EZHL7224SBMA	21	\$2,131
EZHL7224SBML	21	\$1,798

Model No.	Page	List Price
EZHL7224SF	21	\$1,438
EZHL7224SFMA	21	\$2,087
EZHL7224SFML	21	\$1,754
EZHL7224SS	21	\$653
EZHL7224SSMA	21	\$1,304
EZHL7224SSML	21	\$999
EZHR7224KB	24	\$1,404
EZHR7224KF	24	\$1,360
EZHR7224LB	21	\$1,513
EZHR7224LBMA	21	\$2,164
EZHR7224LBML	21	\$1,859
EZHR7224LC	21	\$822
EZHR7224LCMA	21	\$1,489
EZHR7224LCML	21	\$1,173
EZHR7224LF	21	\$1,469
EZHR7224LFMA	21	\$2,120
EZHR7224LFML	21	\$1,740
EZHR7224LL	21	\$833
EZHR7224LLMA	21	\$1,500
EZHR7224LLML	21	\$1,190
EZHR7224LS	21	\$802
EZHR7224LSMA	21	\$1,469
EZHR7224LSML	21	\$1,153
EZHR7224LW	24	\$721
EZHR7224SB	21	\$1,482
EZHR7224SBMA	21	\$2,131
EZHR7224SBML	21	\$1,798
EZHR7224SF	21	\$1,438
EZHR7224SFMA	21	\$2,087
EZHR7224SFML	21	\$1,754
EZHR7224SS	21	\$771
EZHR7224SSMA	21	\$1,422
EZHR7224SSML	21	\$1,117
EZKT101	29	\$21
EZKT102	29	\$21
EZKT103	29	\$21
EZKT104	29	\$21
EZMA1	35	\$426
EZMA2	35	\$603
EZMAK	35	\$320
EZMK	29	\$21
EZP6024	25	\$620
EZP6024S	25	\$434
EZPM24BF	29	\$593
EZPO1	10	\$6,414
EZPO1A	10	\$6,082
EZPO2	10	\$11,853
EZPO2A	10	\$11,521
EZPO3	11	\$6,631
EZPO3A	11	\$6,631
EZPO4	11	\$4,246
EZPO5	11	\$7,050
EZPO6	12	\$5,139
EZPO6A	12	\$5,139
EZPO7	12	\$11,196
EZPW1	13	\$8,843
EZPW1B	13	\$8,603
EZPW2	13	\$13,666
EZPW2A	14	\$13,756
EZPW3	14	\$5,346
EZSC15	29	\$265
EZSC15F3	29	\$292

Model No.	Page	List Price
EZSC15F4	29	\$305
EZSC15F5	29	\$319
EZSC15F6	29	\$358
EZSC15F7	29	\$385
EZSC15F8	29	\$438
EZSC15F9	29	\$478
EZSC15F10	29	\$517
EZSC24	27	\$265
EZSC24F3	27	\$292
EZSC24F4	27	\$305
EZSC24F5	27	\$319
EZSC24F6	27	\$358
EZSC24F7	27	\$385
EZSC24F8	27	\$438
EZSC24F9	27	\$478
EZSC24F10	27	\$517
EZSC30	27	\$284
EZSC30F3	27	\$312
EZSC30F4	27	\$326
EZSC30F5	27	\$341
EZSC30F6	27	\$384
EZSC30F7	27	\$412
EZSC30F8	27	\$469
EZSC30F9	27	\$512
EZSC30F10	27	\$554
EZSC36	27	\$312
EZSC36F3	27	\$344
EZSC36F4	27	\$359
EZSC36F5	27	\$375
EZSC36F6	27	\$422
EZSC36F7	27	\$454
EZSC36F8	27	\$515
EZSC36F9	27	\$562
EZSC36F10	27	\$609
EZSC42	27	\$342
EZSC42F3	27	\$376
EZSC42F4	27	\$393
EZSC42F5	27	\$410
EZSC42F6	27	\$461
EZSC42F7	27	\$495
EZSC42F8	27	\$564
EZSC42F9	27	\$616
EZSC42F10	27	\$667
EZSC48	27	\$361
EZSC48F3	27	\$397
EZSC48F4	27	\$415
EZSC48F5	27	\$433
EZSC48F6	27	\$487
EZSC48F7	27	\$523
EZSC48F8	27	\$595
EZSC48F9	27	\$649
EZSC48F10	27	\$703
EZSM18H	30	\$418
EZSM18V	30	\$418
EZTB24	31	\$747
EZTB30	31	\$794
EZTB36	31	\$829
EZTB42	31	\$853
EZTB48	31	\$961
EZTB60	31	\$1,041
EZTB72	31	\$1,127
EZTKB24	36	\$121

# Index

Model No.	Page	List Price	Model No.	Page	List Price	Model No.	Page	List Price
EZTKB24F3	36	\$134	EZTR60LSMA	22	\$1,309	FF643	262	\$18,046
EZTKB24F4	36	\$139	EZTR60LSML	22	\$976	FF6433	262	\$27,667
EZTKB24F5	36	\$145	EZTR60LW	24	\$570	FF6433K	262	\$27,717
EZTKB24F6	36	\$164	EZTR60SS	22	\$620	FF643K	262	\$18,096
EZTKB24F7	36	\$176	EZTR60SSMA	22	\$1,102	FF721	262	\$8,603
EZTKB24F8	36	\$200	EZTR60SSML	22	\$932	FF7211	262	\$12,352
EZTKB24F9	36	\$218	EZTR72LC	22	\$719	FF7211K	262	\$12,402
EZTKB24F10	36	\$236	EZTR72LCMA	22	\$1,397	FF721K	262	\$8,760
EZTKB30	36	\$138	EZTR72LCML	22	\$1,076	FF732	262	\$14,513
EZTKB30F3	36	\$152	EZTR72LL	22	\$730	FF7322	262	\$21,739
EZTKB30F4	36	\$159	EZTR72LLMA	22	\$1,408	FF7322K	262	\$21,789
EZTKB30F5	36	\$165	EZTR72LLML	22	\$1,087	FF732K	262	\$14,774
EZTKB30F6	36	\$186	EZTR72LS	22	\$708	FF743	262	\$20,303
EZTKB30F7	36	\$200	EZTR72LSMA	22	\$1,359	FF7433	262	\$30,893
EZTKB30F8	36	\$228	EZTR72LSML	22	\$1,054	FF7433K	262	\$31,416
EZTKB30F9	36	\$249	EZTR72LW	24	\$618	FF743K	262	\$20,669
EZTKB30F10	36	\$269	EZTR72SS	22	\$668	FFD	262	\$3
EZTKB36	36	\$153	EZTR72SSMA	22	\$1,319	FFD5	262	\$1,901
EZTKB36F3	36	\$168	EZTR72SSML	22	\$1,014	FFD5K	262	\$1,953
EZTKB36F4	36	\$176	EZTW48	31	\$1,765	FFD6	262	\$2,106
EZTKB36F5	36	\$183	EZTW60	31	\$1,934	FFD6K	262	\$2,158
EZTKB36F6	36	\$206	EZTW72	31	\$2,111	FFD7	262	\$2,429
EZTKB36F7	36	\$228	EZWC6	35	\$6	FFD7K	262	\$2,481
EZTKB36F8	36	\$252	EZWT51	28	\$2,000	FFDMK	262	\$16
EZTKB36F9	36	\$275	EZWT62	28	\$2,066	FFN5	262	\$1,370
EZTKB36F10	36	\$298	F09DV24	236	\$213	FFN6	262	\$1,526
EZTL60LC	22	\$671	F09DV6	236	\$54	FFN7	262	\$1,714
EZTL60LCMA	22	\$1,322	F12DV24	236	\$142	FH3621	251	\$10,487
EZTL60LCML	22	\$1,017	F12DV6	236	\$36	FH36211	251	\$14,843
EZTL60LL	22	\$682	F12DV6	259	\$36	FH3632	251	\$17,644
EZTL60LLMA	22	\$1,333	F15DV24	236	\$162	FH36322	251	\$26,093
EZTL60LLML	22	\$1,028	F15DV6	236	\$41	FH3643	251	\$24,685
EZTL60LS	22	\$660	F15DV6	259	\$41	FH36433	251	\$37,110
EZTL60LSMA	22	\$1,309	F18SR	236	\$7	FH4221	251	\$11,473
EZTL60LSML	22	\$976	F18SRA	236	\$8	FH42211	251	\$16,241
EZTL60LW	24	\$570	F24SR	236	\$11	FH4232	251	\$19,201
EZTL60SS	22	\$620	F24SRA	236	\$14	FH42322	251	\$28,345
EZTL60SSMA	22	\$1,102	F30SR	236	\$7	FH4243	251	\$26,983
EZTL60SSML	22	\$932	F30SRA	236	\$14	FH42433	251	\$40,556
EZTL72LC	22	\$719	F740	181	\$24	FH4821	251	\$12,052
EZTL72LCMA	22	\$1,397	F740	203	\$24	FH48211	251	\$17,085
EZTL72LCML	22	\$1,076	FC101	266	\$1,108	FH4832	251	\$20,324
EZTL72LL	22	\$730	FF521	262	\$7,022	FH48322	251	\$29,874
EZTL72LLMA	22	\$1,408	FF5211	262	\$10,242	FH4843	251	\$28,518
EZTL72LLML	22	\$1,087	FF5211K	262	\$10,292	FH48433	251	\$42,672
EZTL72LS	22	\$708	FF521K	262	\$7,072	FL	208	\$855
EZTL72LSMA	22	\$1,359	FF532	262	\$11,877	FLIP1	189	\$4,535
EZTL72LSML	22	\$1,054	FF5322	262	\$18,049	FLIP2	189	\$3,382
EZTL72LW	24	\$618	FF5322K	262	\$18,099	FLIP3	189	\$1,549
EZTL72SS	22	\$668	FF532K	262	\$11,927	FPA6P	239	\$33
EZTL72SSMA	22	\$1,319	FF543	262	\$16,613	FPD2M	303	\$175
EZTL72SSML	22	\$1,014	FF5433	262	\$25,621	FPD2TW	298	\$175
EZTM30	36	\$520	FF5433K	262	\$25,671	FTB36	155	\$381
EZTM42	36	\$560	FF543K	262	\$16,663	FTB36	168	\$381
EZTM48	36	\$605	FF621	262	\$7,637	FTB48	155	\$462
EZTR60LC	22	\$671	FF6211	262	\$11,061	FTB48	168	\$462
EZTR60LCMA	22	\$1,322	FF6211K	262	\$11,111	FTB63	127	\$493
EZTR60LCML	22	\$1,017	FF621K	262	\$7,687	FTB68	155	\$513
EZTR60LL	22	\$682	FF632	262	\$12,899	FTB68	168	\$513
EZTR60LLMA	22	\$1,333	FF6322	262	\$19,483	FTB72	115	\$493
EZTR60LLML	22	\$1,028	FF6322K	262	\$19,849	FTB72	127	\$493
EZTR60LS	22	\$660	FF632K	262	\$13,161	FTB72	142	\$493

DESKING  
CASEGOODS  
CONFERENCE & TRAINING TABLES  
SEATING  
STORAGE & FILING  
SPECIALTY SOLUTIONS  
COM FORMS  
PRODUCT INDEX



## Index

Model No.	Page	List Price
GMT1	181	\$25
GMT2	181	\$25
GROMMET	156	\$6
GROMMET	168	\$6
HDC2072	151	\$1,754
HDC3620	151	\$1,065
HU3970	153	\$931
KB3312D	265	\$384
KB3312E	265	\$429
LAT36521	268	\$6,229
LAT365211	268	\$9,167
LAT36532	268	\$10,168
LAT365322	268	\$16,160
LAT36543	268	\$14,751
LAT365433	268	\$22,920
LAT42521	268	\$6,704
LAT425211	268	\$9,883
LAT42532	268	\$11,254
LAT425322	268	\$17,218
LAT42543	268	\$15,856
LAT425433	268	\$24,662
LC101	266	\$1,387
LC24HK	188	\$783
LC24HR	188	\$783
LC24HT	188	\$783
LC24T	188	\$718
LF1848HK	188	\$600
LF1848HR	188	\$600
LF1848HT	188	\$600
LF1848T	188	\$548
LF1860HK	188	\$666
LF1860HR	188	\$666
LF1860HT	188	\$666
LF1860T	188	\$600
LF1872HK	188	\$704
LF1872HR	188	\$704
LF1872HT	188	\$704
LF1872T	188	\$640
LF23620	152	\$1,162
LF2448HK	188	\$666
LF2448HR	188	\$666
LF2448HT	188	\$666
LF2448T	188	\$600
LF2460HK	188	\$730
LF2460HR	188	\$730
LF2460HT	188	\$730
LF2460T	188	\$666
LF2472HK	188	\$783
LF2472HR	188	\$783
LF2472HT	188	\$783
LF2472T	188	\$704
LFU23620	151	\$1,124
LFUT23620	151	\$256
LP24HK	188	\$692
LP24HR	188	\$692
LP24HT	188	\$692
LP24T	188	\$640
LT24HK	188	\$783
LT24HR	188	\$783
LT24HT	188	\$783
LT24T	188	\$719
LTD72	150	\$1,192

Model No.	Page	List Price
LUM12	161	\$2,946
LUM13	161	\$3,501
LUM14	162	\$3,776
LUM15	162	\$4,331
M103C	179	\$1,357
M103R	179	\$948
M103X	179	\$1,595
M104C	179	\$741
M104S	179	\$533
M106C	179	\$984
M106R	179	\$677
M1848HK	184	\$768
M1848HR	184	\$768
M1848HT	184	\$768
M1848T	184	\$703
M1860HK	184	\$832
M1860HR	184	\$832
M1860HT	184	\$832
M1860T	184	\$756
M1872HK	184	\$960
M1872HR	184	\$960
M1872HT	184	\$960
M1872T	184	\$870
M18HK	185	\$768
M18HR	185	\$768
M18HT	185	\$768
M18T	185	\$678
M2448HK	184	\$832
M2448HR	184	\$832
M2448HT	184	\$832
M2448T	184	\$756
M2460HK	184	\$897
M2460HR	184	\$897
M2460HT	184	\$897
M2460T	184	\$807
M2472HK	184	\$1,025
M2472HR	184	\$1,025
M2472HT	184	\$1,025
M2472T	184	\$923
M24HK	184	\$897
M24HK	185	\$897
M24HR	184	\$897
M24HR	185	\$897
M24HT	184	\$897
M24HT	185	\$897
M24T	184	\$807
M24T	185	\$807
M3048HK	184	\$897
M3048HR	184	\$897
M3048HT	184	\$897
M3048T	184	\$807
M3060HK	184	\$960
M3060HR	184	\$960
M3060HT	184	\$960
M3060T	184	\$858
M3072HK	184	\$1,089
M3072HR	184	\$1,089
M3072HT	184	\$1,089
M3072T	184	\$986
M30HK	185	\$1,025
M30HR	185	\$1,025
M30HT	185	\$1,025

Model No.	Page	List Price
M30T	185	\$936
MBC3629	166	\$604
MBC3642	166	\$800
MBC3668	166	\$1,128
MBR2442	164	\$434
MBR2448	164	\$465
MC24HK	184	\$897
MC24HR	184	\$897
MC24HT	184	\$897
MC24T	184	\$807
MCD1	168	\$105
MCM	248	\$54
MCM361	248	\$123
MCM421	248	\$140
MCM481	248	\$156
MCR2466	164	\$892
MCR2472	164	\$911
MCTDB3672	167	\$1,619
MCTDB48120	167	\$3,659
MCTDB48144	167	\$3,783
MCTDB4896	167	\$2,443
MCU243636	163	\$727
MCU6	177	\$3,313
MCU7	176	\$3,229
MCUB6	177	\$3,313
MCUB7	176	\$3,229
MDBDK3672	170	\$3,040
MDK3066	163	\$1,300
MDK3672	163	\$1,452
MDKS3066	163	\$1,285
MDKS3672	163	\$1,438
MDPDK3672	170	\$3,040
MDV	249	\$82
MEL5	170	\$3,539
MEL6	172	\$2,380
MEL7L	173	\$2,659
MEL7R	173	\$2,659
MELB5	170	\$3,539
MELB6	172	\$2,380
MELB7L	174	\$2,659
MELB7R	174	\$2,659
MEU1	171	\$5,823
MEU2	173	\$4,664
MEU3	171	\$4,321
MEU4	172	\$3,162
MEU5L	175	\$4,943
MEU5R	175	\$4,943
MEU6L	174	\$3,441
MEU6R	174	\$3,441
MEUB1	171	\$5,823
MEUB2	173	\$4,664
MEUB3	171	\$4,321
MEUB4	172	\$3,162
MEUB5L	176	\$4,943
MEUB5R	176	\$4,943
MEUB6L	175	\$3,441
MEUB6R	175	\$3,441
MFD36	247	\$63
MFD4	247	\$61
MFD42	247	\$68
MFD48	247	\$70
MHDC2072	164	\$1,961

# Index

Model No.	Page	List Price	Model No.	Page	List Price	Model No.	Page	List Price
MHDC3620	164	\$1,142	MRTA2436	167	\$564	NT2	131	\$3,347
MHUD3970	166	\$1,473	MRTDB42	167	\$1,238	NT3	131	\$4,042
MHUG3970	166	\$1,502	MRTDB48	167	\$1,525	NT4	126	\$3,449
MLF23624	165	\$1,397	MS3601	247	\$97	NT4	131	\$3,449
MLFU23624	164	\$1,302	MS3602	247	\$201	NT5	132	\$3,449
MLFUT23624	164	\$278	MS3603	247	\$297	NT6	132	\$4,144
MLT	167	\$345	MS4201	247	\$105	NT7	132	\$5,096
MMPSU1930	165	\$1,579	MS4202	247	\$205	NT8	132	\$5,096
MMPSUT1930	165	\$225	MS4203	247	\$317	NT9	133	\$6,552
MO36C	249	\$455	MS4801	247	\$121	NT10	133	\$6,552
MO42C	249	\$529	MS4802	247	\$214	NT11	133	\$9,299
MO48C	249	\$552	MS4803	247	\$324	NT12	133	\$9,299
MOD48	192	\$208	MSP1	248	\$206	NT13	134	\$7,247
MOD60	192	\$220	MSP2	248	\$225	NT14	134	\$9,994
MOD72	192	\$247	MSPV	248	\$172	NT15	134	\$6,681
MODTT	192	\$234	MSPV	255	\$172	NT16	134	\$6,681
MOS36	250	\$209	MT2454HK	184	\$845	NT17	135	\$11,048
MOS42	250	\$225	MT2454HR	184	\$845	NT18	135	\$9,994
MOS48	250	\$232	MT2454HT	184	\$845	NT19	135	\$11,048
MOT2424	167	\$636	MT2454T	184	\$768	NT20	135	\$13,226
MOT2424	180	\$636	MTGPLUS1	185	\$6,065	NT29	136	\$7,276
MOT2448	167	\$762	MTGPLUS2	185	\$4,683	NT30	136	\$7,276
MOT2448	180	\$762	MTGPLUS3	185	\$2,037	NT31	136	\$7,603
MPBBF22	165	\$699	MWD	247	\$175	NT32	136	\$7,603
MPBBF28	165	\$794	MWD3624	166	\$1,598	NT33	137	\$6,698
MPCTL4272	163	\$1,366	NBBF	127	\$868	NT34	137	\$6,698
MPCTR4272	163	\$1,366	NBDGL	127	\$687	NT35	137	\$7,025
MPFF22	165	\$699	NBDGR	127	\$687	NT36	137	\$7,025
MPFF28	165	\$794	NC6	130	\$1,762	NT37	138	\$6,838
MPSU1930	152	\$1,564	NC8	130	\$2,190	NT38	138	\$7,165
MPSUT1930	152	\$202	NC10	130	\$3,100	NTR	179	\$855
MPT3672	163	\$1,087	NC12	130	\$5,054	NTS	179	\$605
MR3601	248	\$140	NC14	130	\$5,290	OPM	208	\$774
MR3602	248	\$281	NC18	130	\$7,551	OT2424	154	\$594
MR3603	248	\$421	NC20	130	\$7,786	OT2424	180	\$594
MR4201	248	\$144	NC24	130	\$10,048	P172H	267	\$335
MR4202	248	\$294	NC26	130	\$10,283	P173H	267	\$335
MR4203	248	\$441	NC30	130	\$12,545	P17MH	267	\$69
MR4801	248	\$152	NCD	127	\$236	P242H	267	\$350
MR4802	248	\$300	NCNZ63	126	\$1,091	P243H	267	\$350
MR4803	248	\$455	NCNZ72	126	\$1,176	P24MH	267	\$69
MRD362	249	\$587	NCR48	130	\$1,456	P3018HK	184	\$243
MRD422	249	\$624	ND63	126	\$1,260	P3018HK	186	\$243
MRD482	249	\$656	ND72	126	\$1,362	P3018HK	188	\$243
MRF362	248	\$407	NEXTL	126	\$578	P3018HK	191	\$243
MRF422	248	\$413	NEXTR	126	\$578	P3018HR	184	\$243
MRF482	248	\$416	NFF	127	\$827	P3018HR	186	\$243
MRP362	249	\$480	NH63	127	\$2,345	P3018HR	188	\$243
MRP422	249	\$530	NH72	127	\$2,485	P3018HR	191	\$243
MRP482	249	\$547	NHTR63	127	\$211	P3018HT	184	\$243
MRRT2448	167	\$1,072	NHTR72	127	\$211	P3018HT	186	\$243
MRS36	247	\$412	NRS	129	\$3,104	P3018HT	188	\$243
MRS42	247	\$425	NRSBB	129	\$4,980	P3018HT	191	\$243
MRS48	247	\$440	NRSBF	129	\$4,952	P3018T	184	\$217
MRS7278D	167	\$3,205	NRSLBA	129	\$4,619	P3018T	186	\$217
MRSBB	167	\$4,898	NRSLBB	129	\$6,505	P3018T	188	\$217
MRSBF	167	\$4,898	NRSLBF	129	\$6,493	P3018T	191	\$217
MRSRBB	167	\$5,875	NRSLFF	129	\$6,465	P3024HK	184	\$243
MRSRBF	167	\$5,875	NRTNA	129	\$459	P3024HK	186	\$243
MRSTGLASS	167	\$542	NRTPL	126	\$1,273	P3024HK	188	\$243
MRT2436	164	\$552	NRTPR	126	\$1,273	P3024HK	191	\$243
MRT2448	164	\$594	NT1	131	\$3,347	P3024HR	184	\$243

DESKING  
CASEGOODS  
CONFERENCE & TRAINING TABLES  
SEATING  
STORAGE & FILING  
SPECIALTY SOLUTIONS  
COM FORMS  
PRODUCT INDEX

# Index

Model No.	Page	List Price
P3024HR	186	\$243
P3024HR	188	\$243
P3024HR	191	\$243
P3024HT	184	\$243
P3024HT	186	\$243
P3024HT	188	\$243
P3024HT	191	\$243
P3024T	184	\$217
P3024T	186	\$217
P3024T	188	\$217
P3024T	191	\$217
P3030HK	185	\$243
P3030HK	186	\$243
P3030HK	191	\$243
P3030HR	185	\$243
P3030HR	186	\$243
P3030HR	191	\$243
P3030HT	185	\$243
P3030HT	186	\$243
P3030HT	191	\$243
P3030T	185	\$217
P3030T	186	\$217
P3030T	191	\$217
P6018HK	184	\$255
P6018HK	186	\$255
P6018HK	188	\$255
P6018HK	191	\$255
P6018HR	184	\$255
P6018HR	186	\$255
P6018HR	188	\$255
P6018HR	191	\$255
P6018HT	184	\$255
P6018HT	186	\$255
P6018HT	188	\$255
P6018HT	191	\$255
P6018T	184	\$229
P6018T	186	\$229
P6018T	188	\$229
P6018T	191	\$229
P6024HK	184	\$255
P6024HK	186	\$255
P6024HK	188	\$255
P6024HK	191	\$255
P6024HR	184	\$255
P6024HR	186	\$255
P6024HR	188	\$255
P6024HR	191	\$255
P6024HT	184	\$255
P6024HT	186	\$255
P6024HT	188	\$255
P6024HT	191	\$255
P6024T	184	\$229
P6024T	186	\$229
P6024T	188	\$229
P6024T	191	\$229
P6030HK	185	\$255
P6030HK	186	\$255
P6030HK	191	\$255
P6030HR	185	\$255
P6030HR	186	\$255
P6030HR	191	\$255
P6030HT	185	\$255

Model No.	Page	List Price
P6030HT	186	\$255
P6030HT	191	\$255
P6030T	185	\$229
P6030T	186	\$229
P6030T	191	\$229
P9018HK	184	\$269
P9018HK	186	\$269
P9018HK	188	\$269
P9018HK	191	\$269
P9018HR	184	\$269
P9018HR	186	\$269
P9018HR	188	\$269
P9018HR	191	\$269
P9018HT	184	\$269
P9018HT	186	\$269
P9018HT	188	\$269
P9018HT	191	\$269
P9018T	184	\$243
P9018T	186	\$243
P9018T	188	\$243
P9018T	191	\$243
P9024HK	184	\$269
P9024HK	186	\$269
P9024HK	188	\$269
P9024HK	191	\$269
P9024HR	184	\$269
P9024HR	186	\$269
P9024HR	188	\$269
P9024HR	191	\$269
P9024HT	184	\$269
P9024HT	186	\$269
P9024HT	188	\$269
P9024HT	191	\$269
P9024T	184	\$243
P9024T	186	\$243
P9024T	188	\$243
P9024T	191	\$243
P9030HK	185	\$269
P9030HK	186	\$269
P9030HK	191	\$269
P9030HR	185	\$269
P9030HR	186	\$269
P9030HR	191	\$269
P9030HT	185	\$269
P9030HT	186	\$269
P9030HT	191	\$269
P9030T	185	\$243
P9030T	186	\$243
P9030T	191	\$243
PBBF19	152	\$598
PBBF22	152	\$652
PBBFT19	152	\$711
PFF19	152	\$598
PFF22	152	\$652
PM20	33	\$293
PM20	60	\$293
PM20	61	\$293
PM20	65	\$293
PM20	181	\$293
PM20	204	\$293
PM22	33	\$446
PM22	60	\$446

Model No.	Page	List Price
PM22	61	\$446
PM22	65	\$446
PM22	181	\$446
PM22	204	\$446
PM44	181	\$892
PMR22	181	\$187
PMR22	204	\$187
PMR30	181	\$196
PMR30	204	\$196
PR	208	\$785
PRA4818HK	191	\$392
PRA4818HR	191	\$392
PRA4818HT	191	\$392
PRA4818T	191	\$351
PRA4824HK	191	\$456
PRA4824HR	191	\$456
PRA4824HT	191	\$456
PRA4824T	191	\$418
PRA4830HK	191	\$482
PRA4830HR	191	\$482
PRA4830HT	191	\$482
PRA4830T	191	\$429
PRA6018HK	191	\$418
PRA6018HR	191	\$418
PRA6018HT	191	\$418
PRA6018T	191	\$377
PRA6024HK	191	\$482
PRA6024HR	191	\$482
PRA6024HT	191	\$482
PRA6024T	191	\$443
PRA6030HK	191	\$521
PRA6030HR	191	\$521
PRA6030HT	191	\$521
PRA6030T	191	\$469
PRA7218HK	191	\$495
PRA7218HR	191	\$495
PRA7218HT	191	\$495
PRA7218T	191	\$443
PRA7224HK	191	\$561
PRA7224HR	191	\$561
PRA7224HT	191	\$561
PRA7224T	191	\$508
PRA7230HK	191	\$574
PRA7230HR	191	\$574
PRA7230HT	191	\$574
PRA7230T	191	\$521
PRS4818HK	191	\$574
PRS4818HR	191	\$574
PRS4818HT	191	\$574
PRS4818T	191	\$521
PRS4824HK	191	\$640
PRS4824HR	191	\$640
PRS4824HT	191	\$640
PRS4824T	191	\$574
PRS4830HK	191	\$652
PRS4830HR	191	\$652
PRS4830HT	191	\$652
PRS4830T	191	\$587
PRS6018HK	191	\$587
PRS6018HR	191	\$587
PRS6018HT	191	\$587
PRS6018T	191	\$521



# Index

Model No.	Page	List Price	Model No.	Page	List Price	Model No.	Page	List Price
PRS6024HK	191	\$652	R104VP	200	\$1,716	R125BSN	200	\$1,971
PRS6024HR	191	\$652	R104VPN	52	\$1,679	R125RP	52	\$2,076
PRS6024HT	191	\$652	R104VPN	200	\$1,679	R125RP	200	\$2,076
PRS6024T	191	\$587	R104VS	52	\$1,644	R125RPN	52	\$2,042
PRS6030HK	191	\$692	R104VS	200	\$1,644	R125RPN	200	\$2,042
PRS6030HR	191	\$692	R104VSN	52	\$1,610	R125RS	52	\$2,006
PRS6030HT	191	\$692	R104VSN	200	\$1,610	R125RS	200	\$2,006
PRS6030T	191	\$626	R105BP	52	\$1,845	R125RSN	52	\$1,971
PRS7218HK	191	\$613	R105BP	200	\$1,845	R125RSN	200	\$1,971
PRS7218HR	191	\$613	R105BPN	52	\$1,811	R125VP	52	\$2,076
PRS7218HT	191	\$613	R105BPN	200	\$1,811	R125VP	200	\$2,076
PRS7218T	191	\$561	R105BS	52	\$1,774	R125VPN	52	\$2,042
PRS7224HK	191	\$674	R105BS	200	\$1,774	R125VPN	200	\$2,042
PRS7224HR	191	\$674	R105BSN	52	\$1,740	R125VS	52	\$2,006
PRS7224HT	191	\$674	R105BSN	200	\$1,740	R125VS	200	\$2,006
PRS7224T	191	\$613	R105RP	52	\$1,845	R125VSN	52	\$1,971
PRS7230HK	191	\$704	R105RP	200	\$1,845	R125VSN	200	\$1,971
PRS7230HR	191	\$704	R105RPN	52	\$1,811	R73BP	52	\$1,338
PRS7230HT	191	\$704	R105RPN	200	\$1,811	R73BP	200	\$1,338
PRS7230T	191	\$640	R105RS	52	\$1,774	R73BPN	52	\$1,302
PT3672	150	\$1,032	R105RS	200	\$1,774	R73BPN	200	\$1,302
PTA18HK	192	\$392	R105RSN	52	\$1,740	R73BS	52	\$1,248
PTA18HR	192	\$392	R105RSN	200	\$1,740	R73BS	200	\$1,248
PTA18HT	192	\$392	R105VP	52	\$1,845	R73BSN	52	\$1,157
PTA18T	192	\$325	R105VP	200	\$1,845	R73BSN	200	\$1,157
PTA24HK	192	\$574	R105VPN	52	\$1,811	R73RP	52	\$1,338
PTA24HR	192	\$574	R105VPN	200	\$1,811	R73RP	200	\$1,338
PTA24HT	192	\$574	R105VS	52	\$1,774	R73RPN	52	\$1,302
PTA24T	192	\$521	R105VS	200	\$1,774	R73RPN	200	\$1,302
PTA30HK	192	\$652	R105VSN	52	\$1,740	R73RS	52	\$1,248
PTA30HR	192	\$652	R105VSN	200	\$1,740	R73RS	200	\$1,248
PTA30HT	192	\$652	R124BP	52	\$1,971	R73RSN	52	\$1,157
PTA30T	192	\$613	R124BP	200	\$1,971	R73RSN	200	\$1,157
PTS18HK	192	\$574	R124BPN	52	\$1,936	R73VP	52	\$1,338
PTS18HR	192	\$574	R124BPN	200	\$1,936	R73VP	200	\$1,338
PTS18HT	192	\$574	R124BS	52	\$1,901	R73VPN	52	\$1,302
PTS18T	192	\$521	R124BS	200	\$1,901	R73VPN	200	\$1,302
PTS24HK	192	\$640	R124BSN	52	\$1,864	R73VS	52	\$1,248
PTS24HR	192	\$640	R124BSN	200	\$1,864	R73VS	200	\$1,248
PTS24HT	192	\$640	R124RP	52	\$1,971	R73VSN	52	\$1,157
PTS24T	192	\$587	R124RP	200	\$1,971	R73VSN	200	\$1,157
PTS30HK	192	\$718	R124RPN	52	\$1,936	R84BP	52	\$1,460
PTS30HR	192	\$718	R124RPN	200	\$1,936	R84BP	200	\$1,460
PTS30HT	192	\$718	R124RS	52	\$1,901	R84BPN	52	\$1,425
PTS30T	192	\$678	R124RS	200	\$1,901	R84BPN	200	\$1,425
R104BP	52	\$1,716	R124RSN	52	\$1,864	R84BS	52	\$1,408
R104BP	200	\$1,716	R124RSN	200	\$1,864	R84BS	200	\$1,408
R104BPN	52	\$1,679	R124VP	52	\$1,971	R84BSN	52	\$1,373
R104BPN	200	\$1,679	R124VP	200	\$1,971	R84BSN	200	\$1,373
R104BS	52	\$1,644	R124VPN	52	\$1,936	R84RP	52	\$1,460
R104BS	200	\$1,644	R124VPN	200	\$1,936	R84RP	200	\$1,460
R104BSN	52	\$1,610	R124VS	52	\$1,901	R84RPN	52	\$1,425
R104BSN	200	\$1,610	R124VS	200	\$1,901	R84RPN	200	\$1,425
R104RP	52	\$1,716	R124VSN	52	\$1,864	R84RS	52	\$1,408
R104RP	200	\$1,716	R124VSN	200	\$1,864	R84RS	200	\$1,408
R104RPN	52	\$1,679	R125BP	52	\$2,076	R84RSN	52	\$1,373
R104RPN	200	\$1,679	R125BP	200	\$2,076	R84RSN	200	\$1,373
R104RS	52	\$1,644	R125BPN	52	\$2,042	R84VP	52	\$1,460
R104RS	200	\$1,644	R125BPN	200	\$2,042	R84VP	200	\$1,460
R104RSN	52	\$1,610	R125BS	52	\$2,006	R84VPN	52	\$1,425
R104RSN	200	\$1,610	R125BS	200	\$2,006	R84VPN	200	\$1,425
R104VP	52	\$1,716	R125BSN	52	\$1,971	R84VS	52	\$1,408

DESKING  
CASEGOODS  
CONFERENCE & TRAINING TABLES  
SEATING  
STORAGE & FILING  
SPECIALTY SOLUTIONS  
COM FORMS  
PRODUCT INDEX

## Index

Model No.	Page	List Price
R84VS	200	\$1,408
R84VSN	52	\$1,373
R84VSN	200	\$1,373
R94BP	52	\$1,495
R94BP	200	\$1,495
R94BPN	52	\$1,461
R94BPN	200	\$1,461
R94BS	52	\$1,442
R94BS	200	\$1,442
R94BSN	52	\$1,408
R94BSN	200	\$1,408
R94RP	52	\$1,495
R94RP	200	\$1,495
R94RPN	52	\$1,461
R94RPN	200	\$1,461
R94RS	52	\$1,442
R94RS	200	\$1,442
R94RSN	52	\$1,408
R94RSN	200	\$1,408
R94VP	52	\$1,495
R94VP	200	\$1,495
R94VPN	52	\$1,461
R94VPN	200	\$1,461
R94VS	52	\$1,442
R94VS	200	\$1,442
R94VSN	52	\$1,408
R94VSN	200	\$1,408
R95BP	52	\$1,534
R95BP	200	\$1,534
R95BPN	52	\$1,496
R95BPN	200	\$1,496
R95BS	52	\$1,478
R95BS	200	\$1,478
R95BSN	52	\$1,442
R95BSN	200	\$1,442
R95RP	52	\$1,534
R95RP	200	\$1,534
R95RPN	52	\$1,496
R95RPN	200	\$1,496
R95RS	52	\$1,478
R95RS	200	\$1,478
R95RSN	52	\$1,442
R95RSN	200	\$1,442
R95VP	52	\$1,534
R95VP	200	\$1,534
R95VPN	52	\$1,496
R95VPN	200	\$1,496
R95VS	52	\$1,478
R95VS	200	\$1,478
R95VSN	52	\$1,442
R95VSN	200	\$1,442
REALCC0100	98	\$20
REALCC0100	121	\$20
REALCC0100	130	\$20
REALCC0100	156	\$20
REALCC0100	169	\$20
REALCC0101	98	\$20
REALCC0101	121	\$20
REALCC0101	130	\$20
REALCC0101	156	\$20
REALCC0101	169	\$20
REALCC0102	98	\$20

Model No.	Page	List Price
REALCC0102	121	\$20
REALCC0102	130	\$20
REALCC0102	156	\$20
REALCC0102	169	\$20
REALCC0103	98	\$20
REALCC0103	121	\$20
REALCC0103	130	\$20
REALCC0103	156	\$20
REALCC0103	169	\$20
REALCC0104	98	\$20
REALCC0104	121	\$20
REALCC0104	130	\$20
REALCC0104	156	\$20
REALCC0104	169	\$20
REALCC0105	98	\$20
REALCC0105	121	\$20
REALCC0105	130	\$20
REALCC0105	156	\$20
REALCC0105	169	\$20
REALCC0106	98	\$20
REALCC0106	121	\$20
REALCC0106	130	\$20
REALCC0106	156	\$20
REALCC0106	169	\$20
REALCC0107	98	\$20
REALCC0107	121	\$20
REALCC0107	130	\$20
REALCC0107	156	\$20
REALCC0107	169	\$20
REALCC0108	98	\$20
REALCC0108	121	\$20
REALCC0108	130	\$20
REALCC0108	156	\$20
REALCC0108	169	\$20
REALCC0109	98	\$20
REALCC0109	121	\$20
REALCC0109	130	\$20
REALCC0109	156	\$20
REALCC0109	169	\$20
REALCC0110	98	\$20
REALCC0110	121	\$20
REALCC0110	130	\$20
REALCC0110	156	\$20
REALCC0110	169	\$20
REALCC0111	98	\$20
REALCC0111	121	\$20
REALCC0111	130	\$20
REALCC0111	156	\$20
REALCC0111	169	\$20
REALCC0112	98	\$20
REALCC0112	121	\$20
REALCC0112	130	\$20
REALCC0112	156	\$20
REALCC0112	169	\$20
REALCC0113	98	\$20
REALCC0113	121	\$20
REALCC0113	130	\$20
REALCC0113	156	\$20
REALCC0113	169	\$20
REALCC0114	98	\$20
REALCC0114	121	\$20
REALCC0114	130	\$20

Model No.	Page	List Price
REALCC0114	156	\$20
REALCC0114	169	\$20
REALCCCR	83	\$20
REALCCCR	98	\$20
REALCCCR	121	\$20
REALCCCR	130	\$20
REALCCCR	144	\$20
REALCCCR	156	\$20
REALCCCR	169	\$20
REALCCMK	83	\$20
REALCCMK	98	\$20
REALCCMK	121	\$20
REALCCMK	130	\$20
REALCCMK	144	\$20
REALCCMK	156	\$20
REALCCMK	169	\$20
REALS010	182	\$18
REALS011	182	\$18
REALS099	181	\$24
REALS100	35	\$24
REALS100	181	\$24
REALS104	181	\$20
REALS191	182	\$18
REALS276	181	\$20
REALS277	181	\$20
REALS281	182	\$18
REALS282	182	\$18
REALS283	182	\$20
REALS284	182	\$20
REALS285	182	\$20
REALS286	182	\$20
REALS287	182	\$16
REALS288	182	\$15
RF36	325	\$248
RF60	325	\$260
RRT2448	154	\$1,062
RS7278D	154	\$2,824
RSBB	154	\$4,231
RSBF	154	\$4,231
RSRBB	154	\$5,293
RSRBF	154	\$5,293
RSTGLASS	154	\$536
RT2436	151	\$517
RT2448	151	\$527
RT36	154	\$743
RT42	154	\$775
RTA2436	154	\$530
RTT1	199	\$7,439
RTT1	313	\$7,439
RTT2	199	\$2,995
RTT2	313	\$2,995
RTT3	199	\$2,469
RTT3	313	\$2,469
SA3680E1	278	\$2,160
SA3680E1LAM	278	\$2,323
SA3680G1	278	\$3,363
SA3680G1LAM	278	\$3,463
SA3680L1	278	\$3,212
SA3680L1LAM	278	\$3,374
SB5	142	\$1,547
SB7241	278	\$2,099
SBQ5	142	\$1,197

# Index

Model No.	Page	List Price	Model No.	Page	List Price	Model No.	Page	List Price
SBUF	142	\$3,430	SC3641EPH	274	\$2,362	SC6033EP	273	\$3,420
SC10	144	\$4,212	SC3641EPL	274	\$2,471	SC6033EPL	275	\$3,310
SC12	144	\$6,078	SC3641G	272	\$1,766	SC6033G	273	\$2,633
SC18	144	\$9,117	SC3641GH	274	\$1,604	SC6033GL	275	\$2,214
SC24	144	\$12,156	SC3641GL	274	\$1,926	SC6041CP	273	\$5,349
SC2424CP	272	\$1,828	SC3648CP	272	\$3,981	SC6041CPH	275	\$3,935
SC2424E	272	\$896	SC3648CPH	274	\$3,146	SC6041CPL	275	\$4,658
SC2424EP	272	\$1,702	SC3648CPL	274	\$3,693	SC6041E	273	\$1,444
SC2424G	272	\$1,211	SC3648E	272	\$1,283	SC6041EH	275	\$1,526
SC2433CP	272	\$2,136	SC3648EH	274	\$1,364	SC6041EL	275	\$1,526
SC2433CPL	274	\$1,909	SC3648EL	274	\$1,364	SC6041EP	273	\$3,789
SC2433E	272	\$1,022	SC3648EP	272	\$2,697	SC6041EPH	275	\$3,372
SC2433EL	274	\$1,022	SC3648EPH	274	\$2,488	SC6041EPL	275	\$3,566
SC2433EP	272	\$1,702	SC3648EPL	274	\$2,728	SC6041G	273	\$3,027
SC2433EPL	274	\$1,784	SC3648G	272	\$2,040	SC6041GH	275	\$2,382
SC2433G	272	\$1,501	SC3648GH	274	\$2,091	SC6041GL	275	\$2,808
SC2433GL	274	\$1,332	SC3648GL	274	\$2,167	SC6048CP	273	\$6,021
SC2441CP	272	\$2,471	SC4824CP	273	\$3,146	SC6048CPH	275	\$4,804
SC2441CPH	274	\$2,167	SC4824E	273	\$1,116	SC6048CPL	275	\$5,461
SC2441CPL	274	\$2,375	SC4824EP	273	\$2,714	SC6048E	273	\$1,817
SC2441E	272	\$1,188	SC4824G	273	\$1,829	SC6048EH	275	\$1,604
SC2441EH	274	\$1,123	SC4833CP	273	\$3,725	SC6048EL	275	\$1,604
SC2441EH	288	\$1,123	SC4833CPL	275	\$3,243	SC6048EP	273	\$4,047
SC2441EL	274	\$1,123	SC4833E	273	\$1,265	SC6048EPH	275	\$3,645
SC2441EP	272	\$1,959	SC4833EL	275	\$1,265	SC6048EPL	275	\$3,950
SC2441EPH	274	\$1,816	SC4833EP	273	\$2,889	SC6048G	273	\$3,559
SC2441EPL	274	\$1,909	SC4833EPL	275	\$2,829	SC6048GH	275	\$2,981
SC2441G	272	\$1,686	SC4833G	273	\$2,224	SC6048GL	275	\$3,262
SC2441GH	274	\$1,502	SC4833GL	275	\$1,888	SC7224CP	273	\$4,446
SC2441GL	274	\$1,666	SC4841CP	273	\$4,417	SC7224E	273	\$1,377
SC2448CP	272	\$2,777	SC4841CPH	275	\$3,470	SC7224EP	273	\$3,710
SC2448CPH	274	\$2,263	SC4841CPL	275	\$3,856	SC7224G	273	\$2,479
SC2448CPL	274	\$2,889	SC4841E	273	\$1,333	SC7233CP	273	\$5,349
SC2448E	272	\$1,243	SC4841EH	275	\$1,443	SC7233CPL	275	\$4,577
SC2448EH	274	\$1,204	SC4841EL	275	\$1,443	SC7233E	273	\$1,444
SC2448EL	274	\$1,204	SC4841EP	273	\$3,212	SC7233EL	275	\$1,509
SC2448EP	272	\$2,088	SC4841EPH	275	\$2,907	SC7233EP	273	\$4,000
SC2448EPH	274	\$1,975	SC4841EPL	275	\$3,051	SC7233EPL	275	\$3,872
SC2448EPL	274	\$2,248	SC4841G	273	\$2,503	SC7233G	273	\$3,112
SC2448G	272	\$1,848	SC4841GH	275	\$2,000	SC7233GL	275	\$2,581
SC2448GH	274	\$1,771	SC4841GL	275	\$2,400	SC7241CP	273	\$6,361
SC2448GL	274	\$1,848	SC4848CP	273	\$5,029	SC7241CPH	275	\$4,640
SC30	144	\$15,195	SC4848CPH	275	\$3,903	SC7241CPL	275	\$5,461
SC3624CP	272	\$2,630	SC4848CPL	275	\$4,497	SC7241E	273	\$1,794
SC3624E	272	\$946	SC4848E	273	\$1,622	SC7241EH	275	\$1,604
SC3624EP	272	\$2,185	SC4848EH	275	\$1,526	SC7241EL	275	\$1,604
SC3624G	272	\$1,268	SC4848EL	275	\$1,526	SC7241EP	273	\$4,446
SC3633CP	272	\$3,323	SC4848EP	273	\$3,403	SC7241EPH	275	\$3,950
SC3633CPL	274	\$2,569	SC4848EPH	275	\$3,113	SC7241EPL	275	\$4,174
SC3633E	272	\$1,204	SC4848EPL	275	\$3,372	SC7241G	273	\$3,537
SC3633EL	274	\$1,123	SC4848G	273	\$3,074	SC7241GH	275	\$2,844
SC3633EP	272	\$2,329	SC4848GH	275	\$2,569	SC7241GL	275	\$3,385
SC3633EPL	274	\$2,296	SC4848GL	275	\$2,926	SC7248CP	273	\$7,276
SC3633G	272	\$1,669	SC6	144	\$2,616	SC7248CPH	275	\$5,543
SC3633GL	274	\$1,493	SC6024CP	273	\$3,776	SC7248CPL	275	\$6,425
SC3641CP	272	\$3,420	SC6024E	273	\$1,202	SC7248E	273	\$1,905
SC3641CPH	274	\$2,829	SC6024EP	273	\$3,180	SC7248EH	275	\$1,766
SC3641CPL	274	\$3,146	SC6024G	273	\$2,090	SC7248EL	275	\$1,766
SC3641E	272	\$1,044	SC6033CP	273	\$4,626	SC7248EP	273	\$4,738
SC3641EH	274	\$1,253	SC6033CPL	275	\$3,872	SC7248EPH	275	\$4,255
SC3641EL	274	\$1,253	SC6033E	273	\$1,316	SC7248EPL	275	\$4,593
SC3641EP	272	\$2,554	SC6033EL	275	\$1,398	SC7248G	273	\$4,180

DESKING  
CASEGOODS  
CONFERENCE & TRAINING TABLES  
SEATING  
STORAGE & FILING  
SPECIALTY SOLUTIONS  
COM FORMS  
PRODUCT INDEX

## Index

Model No.	Page	List Price
SC7248GH	275	\$3,504
SC7248GL	275	\$3,647
SC8	144	\$3,011
SCBB72	139	\$3,038
SCBF72	139	\$2,958
SCC	217	\$51
SCC4	217	\$42
SCD	139	\$377
SCFF72	139	\$2,878
SCFT	143	\$700
SCFT	180	\$700
SCR48	144	\$1,625
SCWB	144	\$1,681
SDBBB72	139	\$3,565
SDBBF72	139	\$3,485
SDSBB72	139	\$3,377
SDSBF72	139	\$3,297
SET	143	\$511
SET	180	\$511
SF3665BG1	279	\$3,304
SF3665BL1	279	\$2,996
SF3665DG1	279	\$3,136
SF3665DL1	279	\$2,874
SF3680BG1	279	\$3,792
SF3680BL1	279	\$3,508
SF3680DG1	279	\$3,546
SF3680DL1	279	\$3,319
SHA72	142	\$2,488
SHGD	142	\$314
SHH	142	\$485
SHLT	142	\$161
SHV	142	\$485
SHWD	142	\$314
SLC	142	\$2,126
SLF2	142	\$1,763
SLF4	148	\$3,013
SLF48	291	\$173
SLF60	291	\$185
SLLBBB72	141	\$4,505
SLLBBF72	141	\$4,410
SLLSBB72	141	\$4,317
SLLSBF72	141	\$4,222
SLRBBB72	141	\$4,505
SLRBBF72	141	\$4,410
SLRSBB72	141	\$4,317
SLRSBF72	141	\$4,222
SN4824E	276	\$1,110
SN4824EP	276	\$2,458
SN4833C	276	\$2,071
SN4833CL	277	\$1,828
SN4833CLP	277	\$3,310
SN4833CP	276	\$2,777
SN4833E	276	\$1,240
SN4833EL	277	\$1,240
SN4833ELP	277	\$2,650
SN4833EP	276	\$2,585
SN4841C	276	\$2,479
SN4841CH	277	\$2,064
SN4841CHP	277	\$3,324
SN4841CL	277	\$2,272
SN4841CLP	277	\$3,663
SN4841CP	276	\$3,533

Model No.	Page	List Price
SN4841E	276	\$1,348
SN4841EH	277	\$1,348
SN4841EHP	277	\$2,728
SN4841EL	277	\$1,473
SN4841ELP	277	\$2,810
SN4841EP	276	\$2,907
SN4848C	276	\$2,903
SN4848CH	277	\$2,365
SN4848CHP	277	\$3,693
SN4848CL	277	\$2,725
SN4848CLP	277	\$4,239
SN4848CP	276	\$4,143
SN4848E	276	\$1,413
SN4848EH	277	\$1,396
SN4848EHP	277	\$2,841
SN4848EL	277	\$1,571
SN4848ELP	277	\$3,113
SN4848EP	276	\$2,988
SN6024E	276	\$1,147
SN6024EP	276	\$2,889
SN6033C	276	\$2,444
SN6033CL	277	\$2,138
SN6033CLP	277	\$3,903
SN6033CP	276	\$3,533
SN6033E	276	\$1,261
SN6033EL	277	\$1,193
SN6033ELP	277	\$3,101
SN6033EP	276	\$3,034
SN6041C	276	\$2,831
SN6041CH	277	\$2,393
SN6041CHP	277	\$3,935
SN6041CL	277	\$2,669
SN6041CLP	277	\$4,304
SN6041CP	276	\$4,128
SN6041E	276	\$1,529
SN6041EH	277	\$1,413
SN6041EHP	277	\$3,133
SN6041EL	277	\$1,529
SN6041ELP	277	\$3,243
SN6041EP	276	\$3,454
SN6048C	276	\$3,460
SN6048CH	277	\$2,888
SN6048CHP	277	\$4,335
SN6048CL	277	\$2,927
SN6048CLP	277	\$4,947
SN6048CP	276	\$5,140
SN6048E	276	\$1,604
SN6048EH	277	\$1,661
SN6048EHP	277	\$3,292
SN6048EL	277	\$1,444
SN6048ELP	277	\$3,693
SN6048EP	276	\$3,533
SN7224E	276	\$1,285
SN7224EP	276	\$3,357
SN7233C	276	\$2,741
SN7233CL	277	\$2,524
SN7233CLP	277	\$4,577
SN7233CP	276	\$4,434
SN7233E	276	\$1,443
SN7233EL	277	\$1,443
SN7233ELP	277	\$3,533
SN7233EP	276	\$3,549

Model No.	Page	List Price
SN7241C	276	\$3,323
SN7241CH	277	\$2,764
SN7241CHP	277	\$4,593
SN7241CL	277	\$3,056
SN7241CLP	277	\$5,140
SN7241CP	276	\$4,816
SN7241E	276	\$1,686
SN7241EH	277	\$1,689
SN7241EHP	277	\$3,533
SN7241EL	277	\$1,689
SN7241ELP	277	\$3,693
SN7241EP	276	\$4,032
SN7248C	276	\$3,974
SN7248CH	277	\$3,236
SN7248CHP	277	\$5,140
SN7248CL	277	\$3,364
SN7248CLP	277	\$5,784
SN7248CP	276	\$5,784
SN7248E	276	\$1,766
SN7248EH	277	\$1,786
SN7248EHP	277	\$3,693
SN7248EL	277	\$1,604
SN7248ELP	277	\$4,174
SN7248EP	276	\$4,128
SPM	52	\$273
SPM	86	\$273
SPM	102	\$273
SPM	130	\$273
SPM	200	\$273
SR2446R	291	\$846
SR4833	291	\$1,066
SR4833R	291	\$850
SR4846R	291	\$1,319
SR6033	291	\$1,122
SR6033R	291	\$863
SR6046R	291	\$1,398
SRCD	143	\$4,852
SRCDAL	143	\$4,891
SRCDAR	143	\$4,891
SRCDM	143	\$6,298
SRCDMAL	143	\$6,969
SRCDMAR	143	\$6,969
SRCSL	143	\$6,409
SRCSLM	143	\$7,855
SRCR	143	\$6,409
SRCRSM	143	\$7,855
SRF3837	292	\$384
SRF3871	292	\$678
SRFC3871	292	\$754
SRG	143	\$336
SRT4280A	292	\$1,371
SRT4280B	292	\$2,168
SRT4280C	292	\$1,963
SRTD4280A	292	\$1,942
SRTD4280B	292	\$2,627
SS12LC	250	\$27
SS24GM01	254	\$55
SS24GM01	281	\$55
SS24GM02	281	\$111
SS24GM03	281	\$166
SS24GM04	281	\$223
SS24GM05	281	\$276



# Index

Model No.	Page	List Price	Model No.	Page	List Price	Model No.	Page	List Price
SS24LM01	254	\$45	SS42761000	243	\$1,461	SULBBB72	140	\$5,944
SS24LM01	281	\$45	SS4276KT	243	\$1,461	SULBBF72	140	\$5,864
SS24LM01	288	\$45	SS4276ML	243	\$1,461	SULSBB72	140	\$5,756
SS24LM02	281	\$89	SS4288	243	\$1,380	SULSBF72	140	\$5,676
SS24LM03	281	\$134	SS42881000	243	\$1,512	SURBBB72	140	\$5,944
SS24LM04	281	\$182	SS4288KT	243	\$1,512	SURBBF72	140	\$5,864
SS24LM05	281	\$225	SS4288ML	243	\$1,512	SURSB72	140	\$5,756
SS24N01	281	\$55	SS4865	243	\$1,432	SURSBF72	140	\$5,676
SS24N02	281	\$111	SS48651000	243	\$1,563	SW1	288	\$3,524
SS24N03	281	\$166	SS4865KT	243	\$1,563	SWRD	142	\$1,588
SS24N04	281	\$223	SS4865ML	243	\$1,563	SY1848HK	186	\$660
SS24N05	281	\$276	SS4876	243	\$1,432	SY1848HR	186	\$660
SS33GM01	254	\$65	SS48761000	243	\$1,563	SY1848HT	186	\$660
SS33GM01	281	\$65	SS4876KT	243	\$1,563	SY1848T	186	\$603
SS33GM02	281	\$130	SS4876ML	243	\$1,563	SY1854HK	186	\$696
SS33GM03	281	\$188	SS4888	243	\$1,480	SY1854HR	186	\$696
SS33GM04	281	\$258	SS48881000	243	\$1,611	SY1854HT	186	\$696
SS33GM05	281	\$319	SS4888KT	243	\$1,611	SY1854T	186	\$647
SS33LM01	254	\$53	SS4888ML	243	\$1,611	SY1860HK	186	\$730
SS33LM01	281	\$53	SS48GM01	254	\$88	SY1860HR	186	\$730
SS33LM02	281	\$107	SS48GM01	281	\$88	SY1860HT	186	\$730
SS33LM03	281	\$160	SS48GM02	281	\$172	SY1860T	186	\$660
SS33LM04	281	\$216	SS48GM03	281	\$258	SY1866HK	186	\$746
SS33LM05	281	\$266	SS48GM04	281	\$342	SY1866HR	186	\$746
SS33N01	281	\$65	SS48GM05	281	\$427	SY1866HT	186	\$746
SS33N02	281	\$130	SS48LM01	254	\$76	SY1866T	186	\$683
SS33N03	281	\$188	SS48LM01	281	\$76	SY1872HK	186	\$775
SS33N04	281	\$258	SS48LM02	281	\$152	SY1872HR	186	\$775
SS33N05	281	\$319	SS48LM03	281	\$225	SY1872HT	186	\$775
SS3665	243	\$1,163	SS48LM04	281	\$298	SY1872T	186	\$702
SS36651000	243	\$1,295	SS48LM05	281	\$374	SY2448HK	186	\$730
SS3665KT	243	\$1,295	SS48N01	281	\$89	SY2448HR	186	\$730
SS3665ML	243	\$1,295	SS48N02	281	\$178	SY2448HT	186	\$730
SS3676	243	\$1,163	SS48N03	281	\$258	SY2448T	186	\$660
SS36761000	243	\$1,295	SS48N04	281	\$351	SY2454HK	186	\$771
SS3676KT	243	\$1,295	SS48N05	281	\$438	SY2454HR	186	\$771
SS3676ML	243	\$1,295	SS65GS101	254	\$138	SY2454HT	186	\$771
SS3688	243	\$1,246	SS65LS101	254	\$98	SY2454T	186	\$703
SS36881000	243	\$1,377	SS80GS101	254	\$166	SY2460HK	186	\$805
SS3688KT	243	\$1,377	SS80LS101	254	\$131	SY2460HR	186	\$805
SS3688ML	243	\$1,377	SSFA	143	\$761	SY2460HT	186	\$805
SS41GM01	254	\$76	SSFA	180	\$761	SY2460T	186	\$730
SS41GM01	281	\$76	SSM	208	\$554	SY2466HK	186	\$845
SS41GM02	281	\$152	SSMARM	208	\$79	SY2466HR	186	\$845
SS41GM03	281	\$225	ST1	145	\$9,402	SY2466HT	186	\$845
SS41GM04	281	\$298	ST2	145	\$9,402	SY2466T	186	\$758
SS41GM05	281	\$374	ST3	145	\$9,214	SY2472HK	186	\$862
SS41LM01	254	\$65	ST4	145	\$9,214	SY2472HR	186	\$862
SS41LM01	281	\$65	ST5	146	\$9,322	SY2472HT	186	\$862
SS41LM02	281	\$130	ST6	146	\$9,322	SY2472T	186	\$775
SS41LM03	281	\$188	ST7	146	\$9,134	SY3048HK	186	\$805
SS41LM04	281	\$258	ST8	146	\$9,134	SY3048HR	186	\$805
SS41LM05	281	\$319	ST13	147	\$9,901	SY3048HT	186	\$805
SS41N01	281	\$76	ST14	147	\$9,901	SY3048T	186	\$718
SS41N02	281	\$152	ST17	147	\$8,004	SY3054HK	186	\$841
SS41N03	281	\$225	ST18	147	\$8,004	SY3054HR	186	\$841
SS41N04	281	\$298	ST19	148	\$11,017	SY3054HT	186	\$841
SS41N05	281	\$374	ST20	148	\$11,017	SY3054T	186	\$753
SS4265	243	\$1,329	ST21	148	\$6,496	SY3060HK	186	\$876
SS42651000	243	\$1,461	ST22	148	\$6,496	SY3060HR	186	\$876
SS4265KT	243	\$1,461	ST23	149	\$6,416	SY3060HT	186	\$876
SS4265ML	243	\$1,461	ST24	149	\$6,416	SY3060T	186	\$790
SS4276	243	\$1,329	STD72	139	\$1,668	SY3066HK	186	\$904

DESKING  
CASEGOODS  
CONFERENCE & TRAINING TABLES  
SEATING  
STORAGE & FILING  
SPECIALTY SOLUTIONS  
COM FORMS  
PRODUCT INDEX

# Index

Model No.	Page	List Price
SY3066HR	186	\$904
SY3066HT	186	\$904
SY3066T	186	\$817
SY3072HK	186	\$932
SY3072HR	186	\$932
SY3072HT	186	\$932
SY3072T	186	\$845
SYC24HK	186	\$820
SYC24HR	186	\$820
SYC24HT	186	\$820
SYC24T	186	\$746
SYNC1	187	\$4,939
SYNC2	187	\$3,713
SYNC3	187	\$1,678
SYP24HK	186	\$820
SYP24HR	186	\$820
SYP24HT	186	\$820
SYP24T	186	\$746
SYT24HK	186	\$850
SYT24HR	186	\$850
SYT24HT	186	\$850
SYT24T	186	\$791
SYT30HK	186	\$874
SYT30HR	186	\$874
SYT30HT	186	\$874
SYT30T	186	\$816
T2GA	258	\$306
T2GALAM	258	\$398
T2GS	258	\$306
T2GSA	258	\$306
T2GSALAM	258	\$398
T2GSLAM	258	\$398
T2LA	258	\$306
T2LALAM	258	\$398
T2LS	258	\$306
T2LSA	258	\$306
T2LSALAM	258	\$398
T2LSLAM	258	\$398
TA120S	62	\$10,215
TA42RB	62	\$640
TA42RF	62	\$620
TA42RL	62	\$893
TA4830A	61	\$2,211
TA4830AN	61	\$2,026
TA4830AN1	61	\$2,349
TA4830AN2	61	\$2,489
TA4830S	61	\$2,887
TA4830SN	61	\$2,702
TA4830SN1	61	\$3,026
TA4830SN2	61	\$3,166
TA4860A	60	\$3,177
TA4860AN	60	\$2,712
TA4860AN1	60	\$3,358
TA4860AN2	60	\$3,638
TA4860S	60	\$3,992
TA4860SN	60	\$3,545
TA4860SN1	60	\$4,192
TA4860SN2	60	\$4,471
TA48RB	62	\$647
TA48RF	62	\$625
TA48RL	62	\$896
TA6030A	61	\$2,504
TA6030AN	61	\$2,227

Model No.	Page	List Price
TA6030AN1	61	\$2,550
TA6030AN2	61	\$2,690
TA6030S	61	\$3,234
TA6030SN	61	\$2,956
TA6030SN1	61	\$3,279
TA6030SN2	61	\$3,419
TA6060A	60	\$3,609
TA6060AN	60	\$3,038
TA6060AN1	60	\$3,685
TA6060AN2	60	\$3,851
TA6060S	60	\$4,357
TA6060SN	60	\$3,797
TA6060SN1	60	\$4,444
TA6060SN2	60	\$4,723
TA7230A	61	\$2,635
TA7230AN	61	\$2,340
TA7230AN1	61	\$2,664
TA7230AN2	61	\$2,803
TA7230S	61	\$3,385
TA7230SN	61	\$3,088
TA7230SN1	61	\$3,412
TA7230SN2	61	\$3,551
TA7260A	60	\$3,794
TA7260AN	60	\$3,218
TA7260AN1	60	\$3,865
TA7260AN2	60	\$4,144
TA7260S	60	\$4,575
TA7260SN	60	\$4,042
TA7260SN1	60	\$4,689
TA7260SN2	60	\$4,968
TAAP24	68	\$176
TAAP30	68	\$216
TAAP30D	68	\$225
TAAP42	68	\$335
TAAP54	68	\$556
TAAP5418D	62	\$636
TAAP60D	68	\$533
TAAP66	68	\$565
TAC10BB	72	\$3,808
TAC10BB	194	\$3,808
TAC10BR	72	\$3,808
TAC10BR	194	\$3,808
TAC10BT	72	\$3,808
TAC10BT	194	\$3,808
TAC10TB	73	\$5,374
TAC10TB	195	\$5,374
TAC10TR	73	\$5,374
TAC10TR	195	\$5,374
TAC10TT	73	\$5,374
TAC10TT	195	\$5,374
TAC12BB	72	\$5,090
TAC12BB	194	\$5,090
TAC12BR	72	\$5,090
TAC12BR	194	\$5,090
TAC12BT	72	\$5,090
TAC12BT	194	\$5,090
TAC12TB	73	\$7,695
TAC12TB	195	\$7,695
TAC12TR	73	\$7,695
TAC12TR	195	\$7,695
TAC12TT	73	\$7,695
TAC12TT	195	\$7,695
TAC18BB	72	\$7,298

Model No.	Page	List Price
TAC18BB	194	\$7,298
TAC18BR	72	\$7,298
TAC18BR	194	\$7,298
TAC18BT	72	\$7,298
TAC18BT	194	\$7,298
TAC18TB	73	\$10,680
TAC18TB	195	\$10,680
TAC18TR	73	\$10,680
TAC18TR	195	\$10,680
TAC18TT	73	\$10,680
TAC18TT	195	\$10,680
TAC24BB	72	\$9,506
TAC24BB	194	\$9,506
TAC24BR	72	\$9,506
TAC24BR	194	\$9,506
TAC24BT	72	\$9,506
TAC24BT	194	\$9,506
TAC24TB	73	\$13,489
TAC24TB	195	\$13,489
TAC24TR	73	\$13,489
TAC24TR	195	\$13,489
TAC24TT	73	\$13,489
TAC24TT	195	\$13,489
TAC6BA	72	\$2,208
TAC6BA	194	\$2,208
TAC6TA	73	\$2,985
TAC6TA	195	\$2,985
TAC8BB	72	\$3,047
TAC8BB	194	\$3,047
TAC8BR	72	\$3,047
TAC8BR	194	\$3,047
TAC8BT	72	\$3,047
TAC8BT	194	\$3,047
TAC8TB	73	\$4,296
TAC8TB	195	\$4,296
TAC8TR	73	\$4,296
TAC8TR	195	\$4,296
TAC8TT	73	\$4,296
TAC8TT	195	\$4,296
TACMFC	63	\$1,675
TACMP	63	\$931
TADC120S	62	\$426
TADC120S	66	\$426
TADC48DA	66	\$170
TADC48DS	66	\$170
TADC48SA	66	\$85
TADC48SS	66	\$85
TADC60DA	66	\$182
TADC60DS	66	\$182
TADC60SA	66	\$91
TADC60SS	66	\$91
TADC72DA	66	\$193
TADC72DS	66	\$193
TADC72SA	66	\$96
TADC72SS	66	\$96
TAECT1	75	\$426
TAECT1	197	\$426
TAECT2	75	\$1,020
TAECT2	197	\$1,020
TAECT3	75	\$596
TAECT3	197	\$596
TAEPC72	32	\$255
TAESC108	32	\$230

# Index

Model No.	Page	List Price	Model No.	Page	List Price	Model No.	Page	List Price
TAESC108	65	\$230	TAM2	35	\$165	TCC0113	144	\$16
TAESC108	75	\$230	TAM2	62	\$165	TCC0114	144	\$16
TAESC108	197	\$230	TAM2	68	\$165	TCNR	284	\$741
TAESC144	32	\$281	TAMDP	35	\$187	TCNRLAM	284	\$991
TAESC144	65	\$281	TAMDP	68	\$187	TCR42	113	\$1,261
TAESC144	75	\$281	TAMSP	35	\$125	TCWB	113	\$1,198
TAESC144	197	\$281	TAMSP	62	\$125	TGWC	258	\$625
TAESC72	32	\$178	TAMSP	68	\$125	TGWC01	258	\$625
TAESC72	62	\$178	TAMST6	74	\$4,269	TLC	113	\$2,109
TAESC72	65	\$178	TAMST6	196	\$4,269	TLWC	259	\$475
TAESC72	75	\$178	TAMST6	74	\$5,312	TLWC01	259	\$475
TAESC72	197	\$178	TAMST6	196	\$5,312	TMATE1	192	\$4,156
TAETKD48A	65	\$670	TAMT6	74	\$3,881	TMATE2	192	\$2,748
TAETKD48S	65	\$543	TAMT6	196	\$3,881	TMATE3	192	\$1,391
TAETKD60A	62	\$699	TAMTE6	74	\$4,924	TP48	284	\$2,128
TAETKD60A	65	\$699	TAMTE6	196	\$4,924	TP48LAM	284	\$2,363
TAETKD60S	62	\$572	TAST51LB	64	\$1,370	TP60	284	\$2,339
TAETKD60S	65	\$572	TAST51LF	62	\$1,418	TP60LAM	284	\$2,594
TAETKD72A	65	\$716	TAST51LF	64	\$1,418	TP72	284	\$2,963
TAETKD72S	65	\$589	TAST51RB	64	\$1,370	TP72LAM	284	\$3,244
TAETKS48A	65	\$513	TAST51RF	64	\$1,418	TR60DR	284	\$3,049
TAETKS48S	65	\$387	TAST51WLB	64	\$2,145	TR60DRLAM	284	\$3,312
TAETKS60A	65	\$544	TAST51WLF	64	\$2,072	TR60DS	284	\$2,985
TAETKS60S	65	\$417	TAST51WRB	64	\$2,145	TR60DSLAM	284	\$3,243
TAETKS72A	65	\$561	TAST51WRF	64	\$2,072	TR60LR	284	\$3,120
TAETKS72S	65	\$434	TB30	291	\$700	TR60LRLAM	284	\$3,380
TAETP1	67	\$114	TB48	291	\$738	TR60LS	284	\$3,049
TAETP1	76	\$114	TB5	113	\$1,436	TR60LSLAM	284	\$3,312
TAETP1	198	\$114	TB60	291	\$976	TR60NR	284	\$2,613
TAETP2	67	\$150	TC12	113	\$5,094	TR60NRLAM	284	\$2,874
TAETP2	76	\$150	TC120	113	\$3,803	TR60NS	284	\$2,546
TAETP2	198	\$150	TC14	113	\$5,686	TR60NSLAM	284	\$2,739
TAETP3	67	\$220	TC18	113	\$6,848	TR72DR	284	\$3,306
TAETP3	76	\$220	TC20	113	\$7,442	TR72DRLAM	284	\$3,596
TAETP3	198	\$220	TC2250	209	\$494	TR72DS	284	\$3,236
TAETP4	67	\$249	TC24	113	\$9,151	TR72DSLAM	284	\$3,527
TAETP4	76	\$249	TC26	113	\$9,745	TR72LR	284	\$3,372
TAETP4	198	\$249	TC30	113	\$11,454	TR72LRLAM	284	\$3,653
TAETP5	67	\$271	TC72	113	\$1,818	TR72LS	284	\$3,304
TAETP5	76	\$271	TC96	113	\$2,266	TR72LSLAM	284	\$3,595
TAETP5	198	\$271	TCC0100	83	\$18	TR72NR	284	\$2,830
TAETP6	67	\$331	TCC0100	144	\$18	TR72NRLAM	284	\$3,113
TAETP6	76	\$331	TCC0101	83	\$18	TR72NS	284	\$2,757
TAETP6	198	\$331	TCC0101	144	\$18	TR72NSLAM	284	\$3,046
TAETP7	67	\$64	TCC0102	83	\$18	TRANT1	70	\$13,673
TAETP7	76	\$64	TCC0102	144	\$18	TRANT2	70	\$13,689
TAETP7	198	\$64	TCC0103	83	\$18	TRANT3	70	\$15,368
TAETP8	67	\$185	TCC0103	144	\$18	TRANT4	70	\$8,494
TAETP8	76	\$185	TCC0104	83	\$18	TRANT5	71	\$8,930
TAETP8	198	\$185	TCC0104	144	\$18	TRANT6	71	\$10,504
TAETP9	67	\$252	TCC0105	83	\$18	TRANT7	71	\$20,918
TAETP9	76	\$252	TCC0105	144	\$18	TS36L	283	\$1,959
TAETP9	198	\$252	TCC0106	83	\$18	TS36LLAM	283	\$2,187
TAETP10	67	\$233	TCC0106	144	\$18	TS36N	283	\$1,542
TAETP10	76	\$233	TCC0107	83	\$18	TS36NLAM	283	\$1,769
TAETP10	198	\$233	TCC0107	144	\$18	TS48L	283	\$2,193
TAFP24	69	\$476	TCC0108	83	\$18	TS48LLAM	283	\$2,426
TAFP30	69	\$510	TCC0108	144	\$18	TS48N	283	\$1,705
TAFP30D	69	\$582	TCC0109	83	\$18	TS48NLAM	283	\$1,934
TAFP42	69	\$600	TCC0109	144	\$18	TS60D	288	\$2,377
TAFP54	69	\$703	TCC0110	144	\$16	TS60L	283	\$2,445
TAFP60D	69	\$878	TCC0111	144	\$16	TS60LLAM	283	\$2,694
TAFP66	69	\$782	TCC0112	144	\$16	TS60N	283	\$1,922

DESKING  
CASEGOODS  
CONFERENCE & TRAINING TABLES  
SEATING  
STORAGE & FILING  
SPECIALTY SOLUTIONS  
COM FORMS  
PRODUCT INDEX

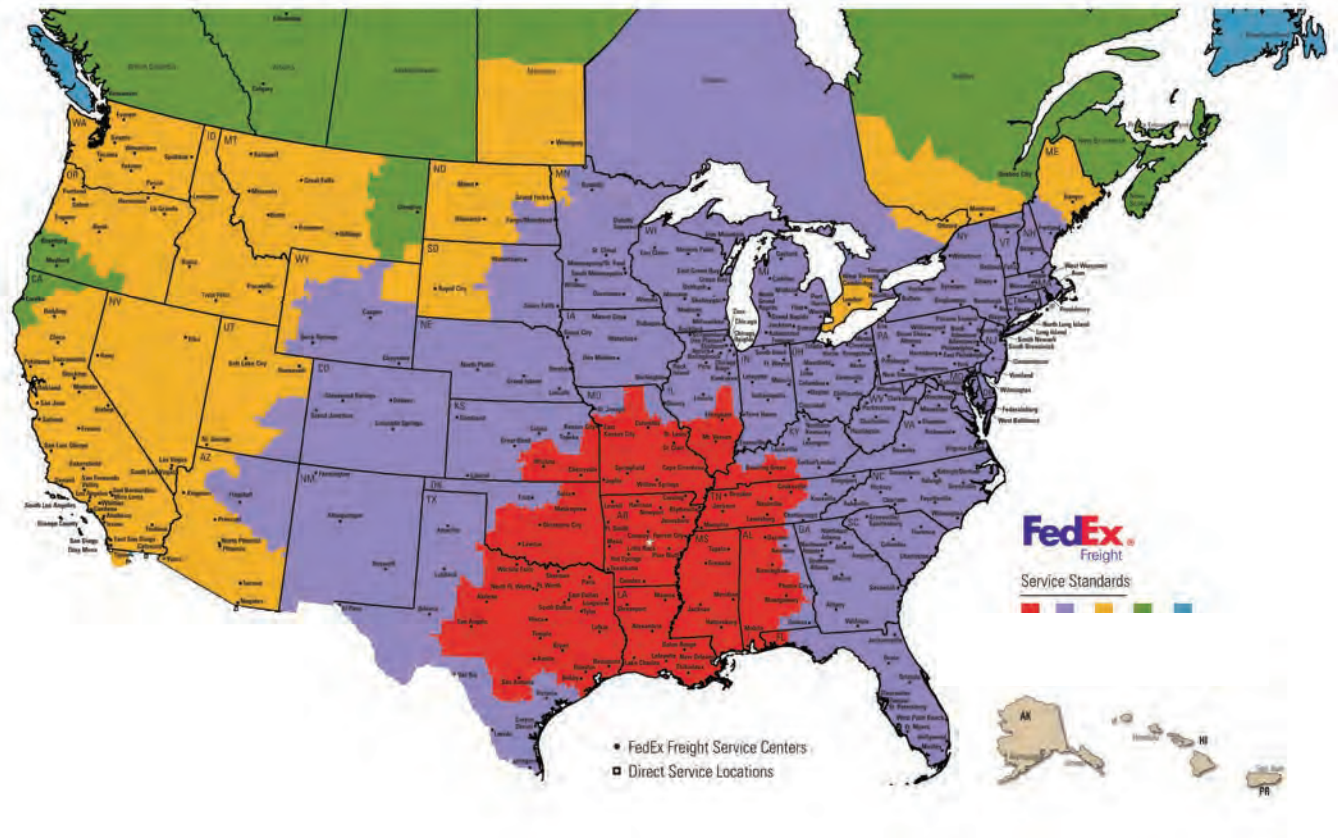


# Index

Model No.	Page	List Price	Model No.	Page	List Price	Model No.	Page	List Price
TS60NLAM	283	\$2,176	VBBF	128	\$845	WS1536Z	237	\$124
TS72L	283	\$2,696	VBCZ	121	\$2,802	WS1542Z	237	\$147
TS72LLAM	283	\$2,980	VBCZ	130	\$2,802	WS1548Z	237	\$155
TS72N	283	\$2,147	VBQ2	121	\$677	WS1830Z	237	\$122
TS72NLAM	283	\$2,432	VBQ2	129	\$677	WS1836Z	237	\$134
TSC2	211	\$670	VBQ5	121	\$1,316	WS1842Z	237	\$152
TSC2	309	\$670	VBQ5	129	\$1,316	WS1848Z	237	\$161
TSH1	216	\$870	VCC	178	\$462	WS2430Z	237	\$152
TSH1F2	216	\$1,070	VCC	219	\$462	WS2436Z	237	\$155
TSH1F3	216	\$1,130	VCC1	178	\$1,133	WS2442Z	237	\$186
TSH1F4	216	\$1,190	VCC1	219	\$1,133	WS2448Z	237	\$193
TSH1F5	216	\$1,250	VCC2	178	\$1,689	WS3030Z	237	\$178
TSH1F6	216	\$1,310	VCC2	219	\$1,689	WS3036Z	237	\$186
TSH1F7	216	\$1,370	VCC3	178	\$2,195	WS3042Z	237	\$212
TSH1F8	216	\$1,430	VCC3	219	\$2,195	WS3048Z	237	\$230
TSH1F9	216	\$1,490	VCCL	178	\$60	WS3636Z	237	\$222
TSH1F10	216	\$1,550	VCCL	219	\$60	WS3642Z	237	\$242
TSH1FX	216	\$1,174	VCCM	178	\$1,156	WS3648Z	237	\$254
TSH2	216	\$840	VCCM	219	\$1,156	WSA219390	237	\$90
TSH2F2	216	\$1,040	VCCMT	178	\$1,388	WSA219391	237	\$139
TSH2F3	216	\$1,100	VCCMT	219	\$1,388	WSA219392	237	\$152
TSH2F4	216	\$1,160	VCF	120	\$1,809	WSA219393	237	\$161
TSH2F5	216	\$1,220	VCG	120	\$1,811	WSD1224Z	237	\$139
TSH2F6	216	\$1,280	VCG	128	\$1,811	WSD1236Z	237	\$152
TSH2F7	216	\$1,340	VCL1	178	\$1,005	WSD1242Z	237	\$164
TSH2F8	216	\$1,400	VCL1	219	\$1,005	WSD1248Z	237	\$199
TSH2F9	216	\$1,460	VCL2	178	\$1,607	WSD1530Z	237	\$195
TSH2F10	216	\$1,520	VCL2	219	\$1,607	WSD1536Z	237	\$247
TSH2FX	216	\$1,144	VCL3	178	\$2,093	WSD1542Z	237	\$258
TSH3	217	\$604	VCL3	219	\$2,093	WSD1548Z	237	\$272
TSM2	217	\$582	VCW	120	\$1,811	WSD1830Z	237	\$205
TSS2	211	\$900	VCW	128	\$1,811	WSD1836Z	237	\$256
TSS2	309	\$900	VFF	120	\$820	WSD1842Z	237	\$263
TW1	293	\$7,030	VFF	128	\$820	WSD1848Z	237	\$281
TW30	283	\$1,078	VHC	120	\$2,592	WSD2430Z	237	\$226
TW30	288	\$1,078	VHC	128	\$2,592	WSD2436Z	237	\$276
TW30LAM	283	\$1,199	VLC	121	\$1,749	WSD2442Z	237	\$286
TW36	283	\$1,236	VLC	129	\$1,749	WSD2448Z	237	\$298
TW36LAM	283	\$1,464	VLCG	129	\$1,749	WSD3030Z	237	\$245
TW48	283	\$1,316	VLCW	121	\$1,749	WSD3036Z	237	\$296
TW48LAM	283	\$1,546	VLCW	129	\$1,749	WSD3042Z	237	\$308
TW60	283	\$1,529	VLF	119	\$1,483	WSD3048Z	237	\$320
TW60LAM	283	\$1,784	VLF	128	\$1,483	WSD3636Z	237	\$359
TW72	283	\$1,736	VLF4	119	\$2,927	WSD3642Z	237	\$374
TW72LAM	283	\$2,018	VLF4	128	\$2,927	WSD3648Z	237	\$386
UL230M	206	\$916	VSC2A	210	\$1,200	X1886L	244	\$140
UL330M	207	\$864	VSC3A	210	\$1,200	X1886T	244	\$191
UL350H	207	\$1,039	VSC5A	210	\$1,200	X18DV5	245	\$88
UL550HEZ	207	\$1,163	VSC7A	210	\$1,200	X18SR	245	\$15
ULEX	206	\$1,162	VSC9	210	\$645	X18SRB	245	\$7
ULGST	206	\$699	VSCA	210	\$1,200	X3686L	244	\$249
ULMGR	206	\$962	VWRDL	120	\$1,629	X3686T	244	\$307
URS3	260	\$72	VWRDL	128	\$1,629	X36SR	245	\$15
URS4	260	\$72	VWRDR	120	\$1,629	X36SRB	245	\$7
URS5	260	\$72	VWRDR	128	\$1,629	XC101	266	\$1,108
URS6	260	\$72	WD3620	153	\$1,554			
URS7	260	\$72	WP4	155	\$18			
URS8	260	\$72	WP4	182	\$18			
VB2	121	\$720	WS1224Z	237	\$113			
VB2	129	\$720	WS1236Z	237	\$124			
VB5	121	\$1,395	WS1242Z	237	\$147			
VB5	129	\$1,395	WS1248Z	237	\$155			
VBBF	120	\$845	WS1530Z	237	\$113			

# DELIVERY PROGRAMS:

## FAST Freight



Mayline's *FAST* Freight delivery program is the closest thing to having a private warehouse in your own back yard. Hundreds of products are now available from our Arkansas distribution center so you can **receive them the next day** in many cities. We have partnered with FedEx Freight and other LTL carriers to provide exceptional customer service AND it's all available at no additional cost.



Mayline's 72-Hour Kwik-Ship program features over 500 standard items.



# MAYLINE®

www.mayline.com

#### CORPORATE LOCATION

MAYLINE  
619 N. COMMERCE STREET  
PO BOX 728  
SHEBOYGAN, WI 53082-0728  
**CUSTOMER SERVICE 800-822-8037**  
920-457-7388 (FAX)

TO PLACE ORDERS:  
MAYLINE  
ATTN: ORDER DESK  
PO BOX 728  
SHEBOYGAN, WI 53082-0728  
**800-822-8037**  
920-457-7388 (FAX)

#### DISTRIBUTION CENTER

**ARKANSAS**  
824 NORTH PALM STREET  
NORTH LITTLE ROCK, AR  
800-480-3123

#### SHOWROOM LOCATIONS

**ATLANTA**  
2030 POWERS FERRY RD., SUITE 230  
ATLANTA, GA  
770-984-9047

**BOSTON**  
850 SUMMER STREET  
BOSTON, MA  
617-269-7600

**CHICAGO**  
MERCHANDISE MART, SUITE 1147  
CHICAGO, IL  
847-952-1213

**CINCINNATI**  
2226 GILBERT AVENUE  
CINCINNATI, OH  
513-221-4800

**DALLAS**  
4885 ALPHA RD., SUITE 155  
FARMERS BRANCH, TX  
303-738-1001

**DENVER**  
WELLS FARGO BUILDING  
3333 S. BANNOCK ST., SUITE 310  
ENGLEWOOD, CO  
303-738-1001

**DETROIT**  
2384 FRANKLIN ROAD  
BLOOMFIELD HILLS, MI  
248-745-9990

**HOUSTON**  
1213 WEST LOOP NORTH #160  
HOUSTON, TX  
281-829-1432

**LOS ANGELES**  
12015 MORA DR., UNIT 1  
SANTE FE SPRINGS, CA  
562-903-7090

**NEW YORK**  
200 LEXINGTON AVE., SUITE 1307  
NEW YORK, NY  
212-684-7788

**NORTHERN CALIFORNIA**  
2528 QUME DR., SUITE 6  
SAN JOSE, CA  
925-786-0178

**PORTLAND**  
1001 SE WATER AVE., SUITE 400  
PORTLAND, OR  
503-222-2364

**ST. LOUIS**  
3204 MORGAN FORD ROAD  
ST. LOUIS, MO  
314-771-6696

**SEATTLE**  
829 S. FIDALGO  
SEATTLE, WA  
206-767-0412

**TORONTO**  
210 PONY DRIVE, UNIT 2  
NEWMARKET, ONT  
CANADA  
905-830-0247

**VANCOUVER**  
110-4611 #6 ROAD  
RICHMOND, BC  
CANADA  
604-272-4401

**WASHINGTON D.C.**  
1738 ELTON RD., SUITE 304  
SILVER SPRING, MD  
301-408-0600